



US00D481840S

(12) **United States Design Patent**  
**Lammers et al.**

(10) **Patent No.:** **US D481,840 S**

(45) **Date of Patent:** **\*\* Nov. 4, 2003**

(54) **PORTABLE HANDHELD  
BATTERY-OPERATED DUST BLOWER**

(75) Inventors: **Anthony J. Lammers**, Gates Mills, OH (US); **John R. Nottingham**, Brantenahl, OH (US); **John W. Spirk**, Gates Mills, OH (US); **Jeffrey Scott Plantz**, Medina, OH (US); **Patrick W. Brown**, Auburn, OH (US)

(73) Assignee: **InnoDesk Business Tools, Inc.**, Beachwood, OH (US)

(\*\*) Term: **14 Years**

(21) Appl. No.: **29/164,545**

(22) Filed: **Jul. 26, 2002**

(51) **LOC (7) Cl.** ..... **15-05**

(52) **U.S. Cl.** ..... **D32/18**

(58) **Field of Search** ..... D32/17-18, 31,  
D32/32, 33; 15/344, 329, 320

(56) **References Cited**

**U.S. PATENT DOCUMENTS**

D238,651 S	*	2/1976	Fortune	.....	D8/30
D287,657 S	*	1/1987	Yuen	.....	D32/18
4,718,140 A		1/1988	Johnson		
4,734,017 A		3/1988	Levin		
D301,783 S	*	6/1989	Adams	.....	D32/18
4,884,314 A		12/1989	Miner et al.		
4,945,604 A		8/1990	Miner et al.		

D316,316 S	*	4/1991	Yuen	.....	D32/18
5,115,566 A		5/1992	Zeitlin		
D328,004 S		7/1992	Baltic et al.		
D353,916 S	*	12/1994	Ho	.....	D32/18
D414,905 S	*	10/1999	Ho	.....	D32/18
6,092,260 A		7/2000	Kai		
6,105,206 A		8/2000	Tokumaru et al.		
D448,895 S	*	10/2001	Andreas	.....	D32/18
D467,048 S	*	12/2002	Masaki	.....	D32/17

\* cited by examiner

*Primary Examiner*—Ruth McInroy

(74) *Attorney, Agent, or Firm*—DKW Law Group, PC

(57) **CLAIM**

The ornamental design for a portable handheld battery-operated dust blower, as shown and described.

**DESCRIPTION**

FIG. 1 is a perspective view of a portable handheld battery-operated dust blower showing our new design; FIG. 2 is right side view of the portable handheld battery-operated dust blower, the opposite side being a mirror image thereof;

FIG. 3 is top plan view thereof;

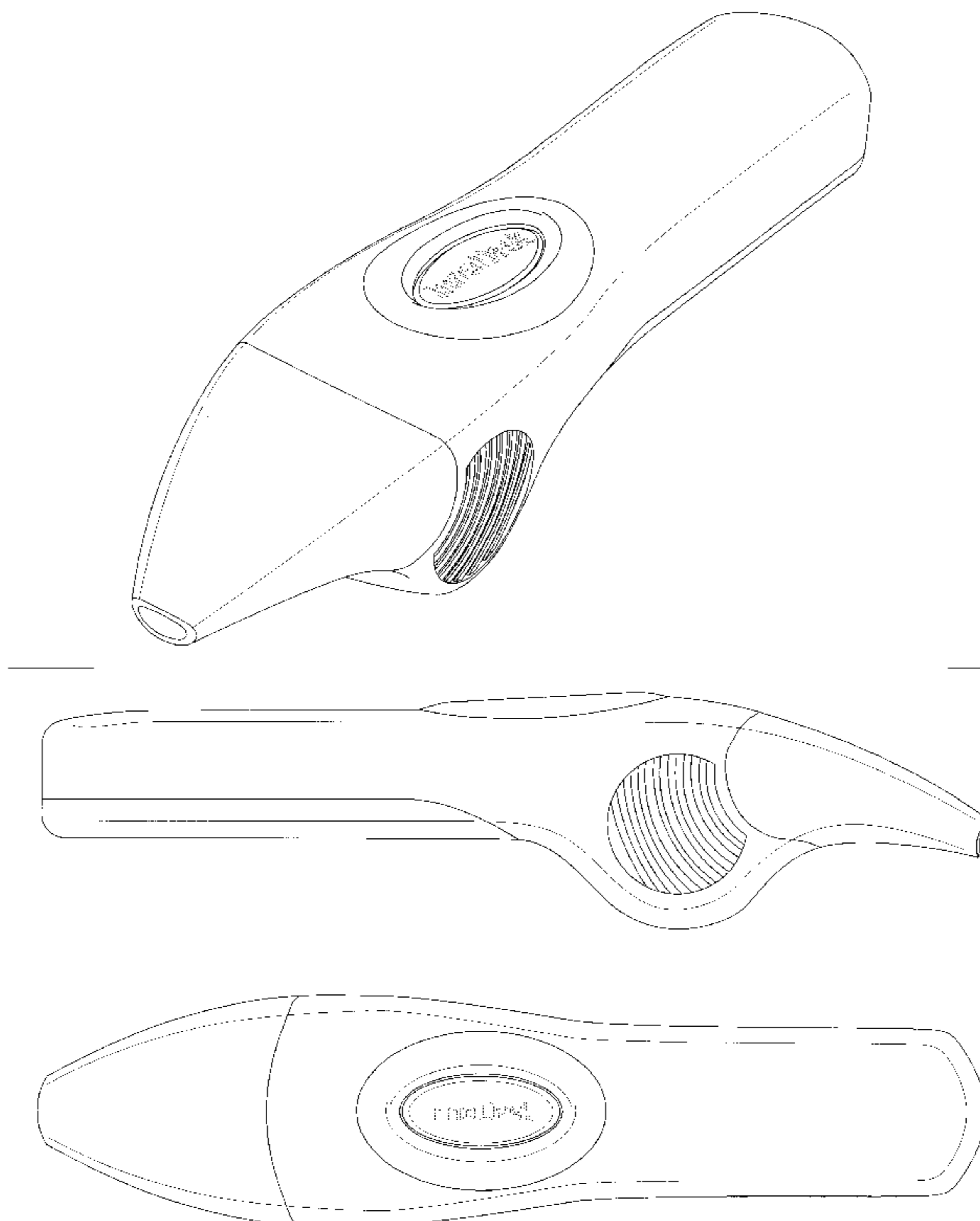
FIG. 4 is a bottom plan view thereof;

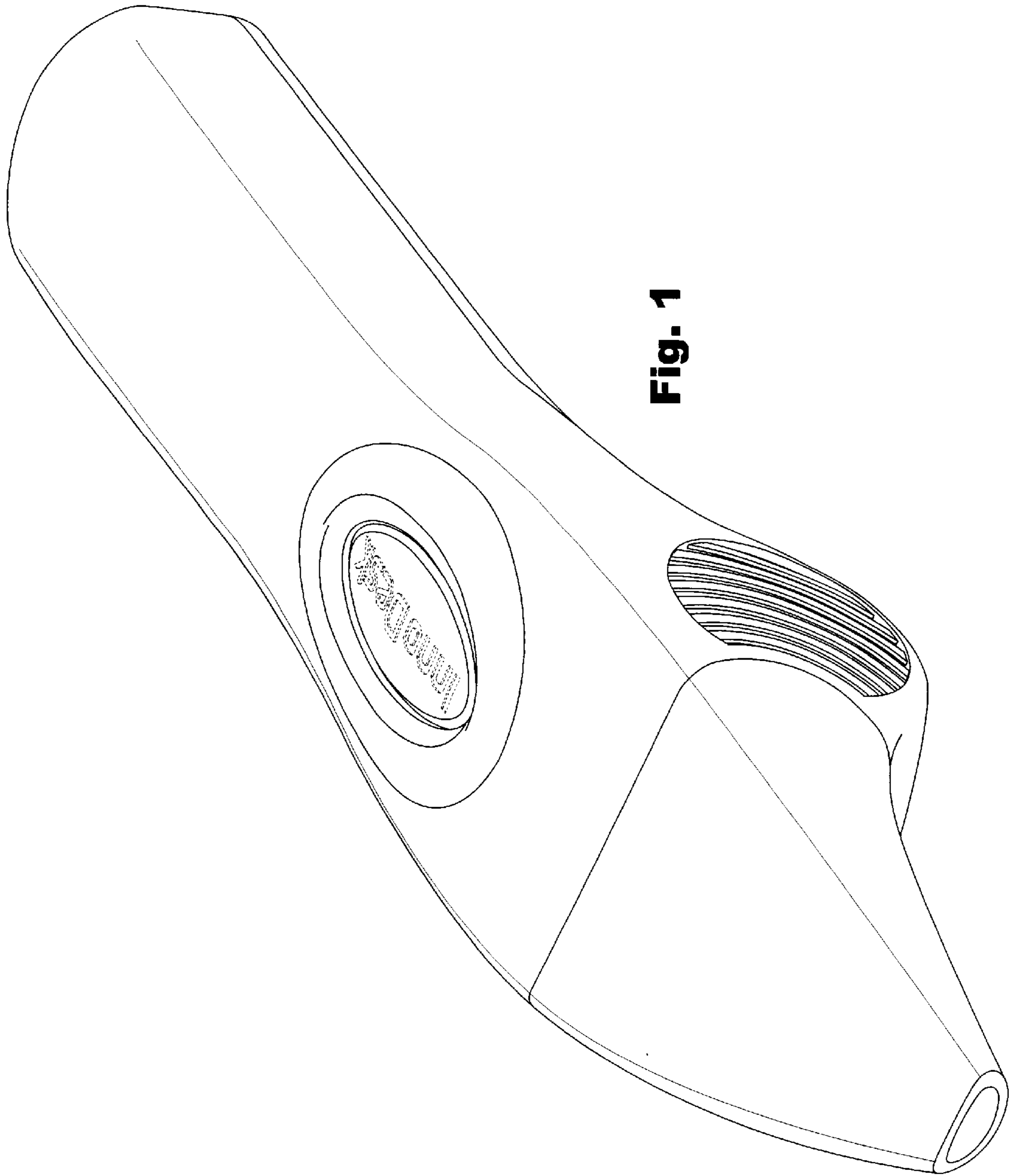
FIG. 5 is a front elevational view thereof; and,

FIG. 6 is a rear elevational view thereof.

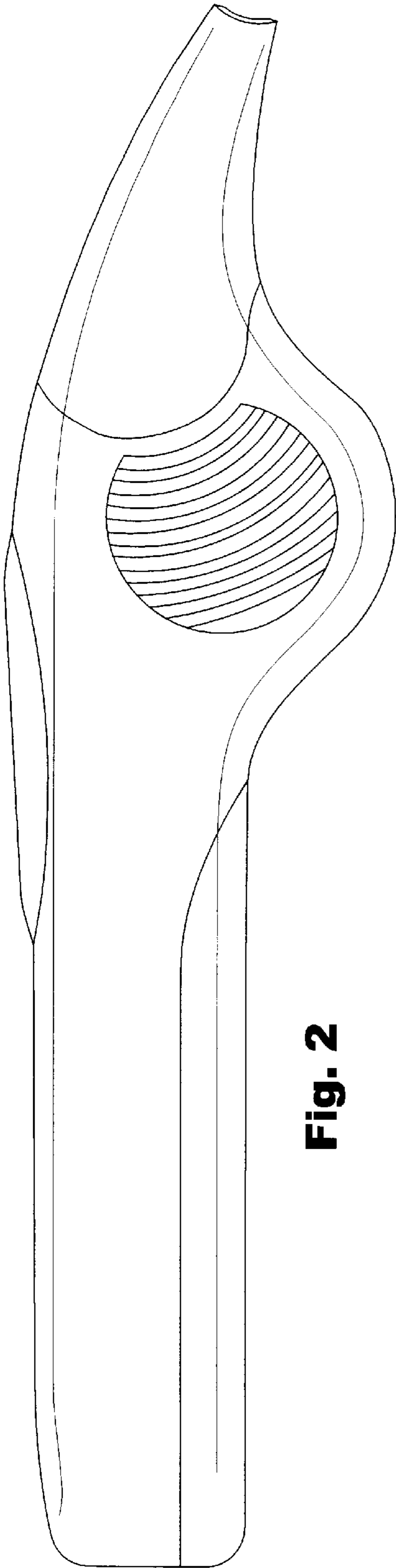
The logo shown in broken lines in FIGS. 1 and 3 is for illustrative purposes only and forms no part of the claimed design.

**1 Claim, 4 Drawing Sheets**

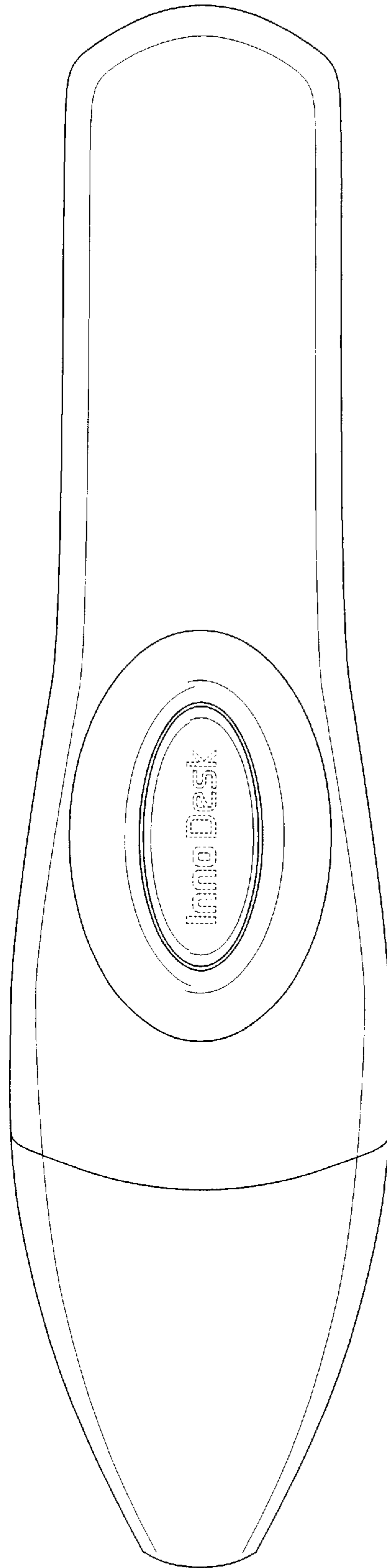




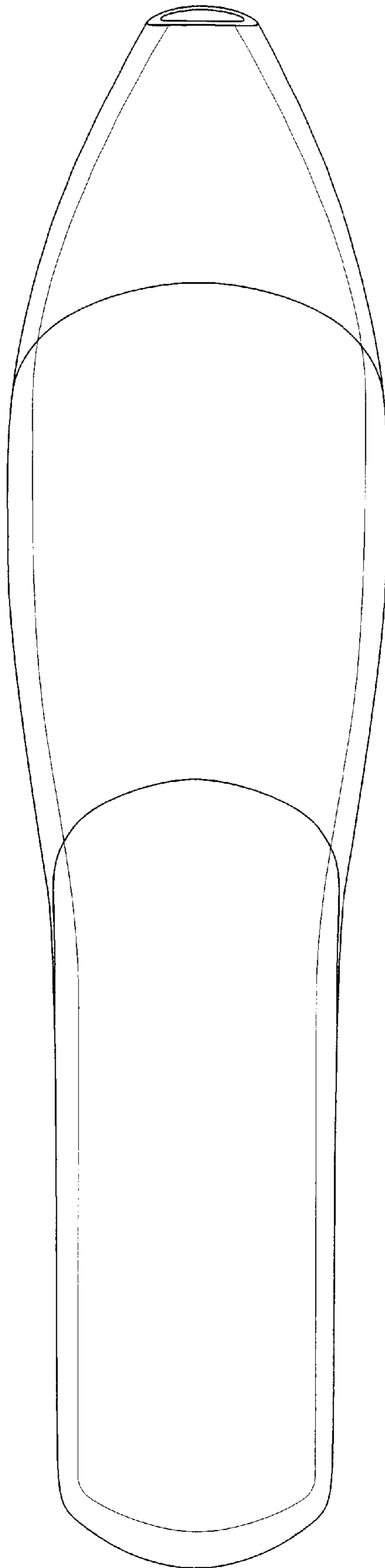
**Fig. 1**



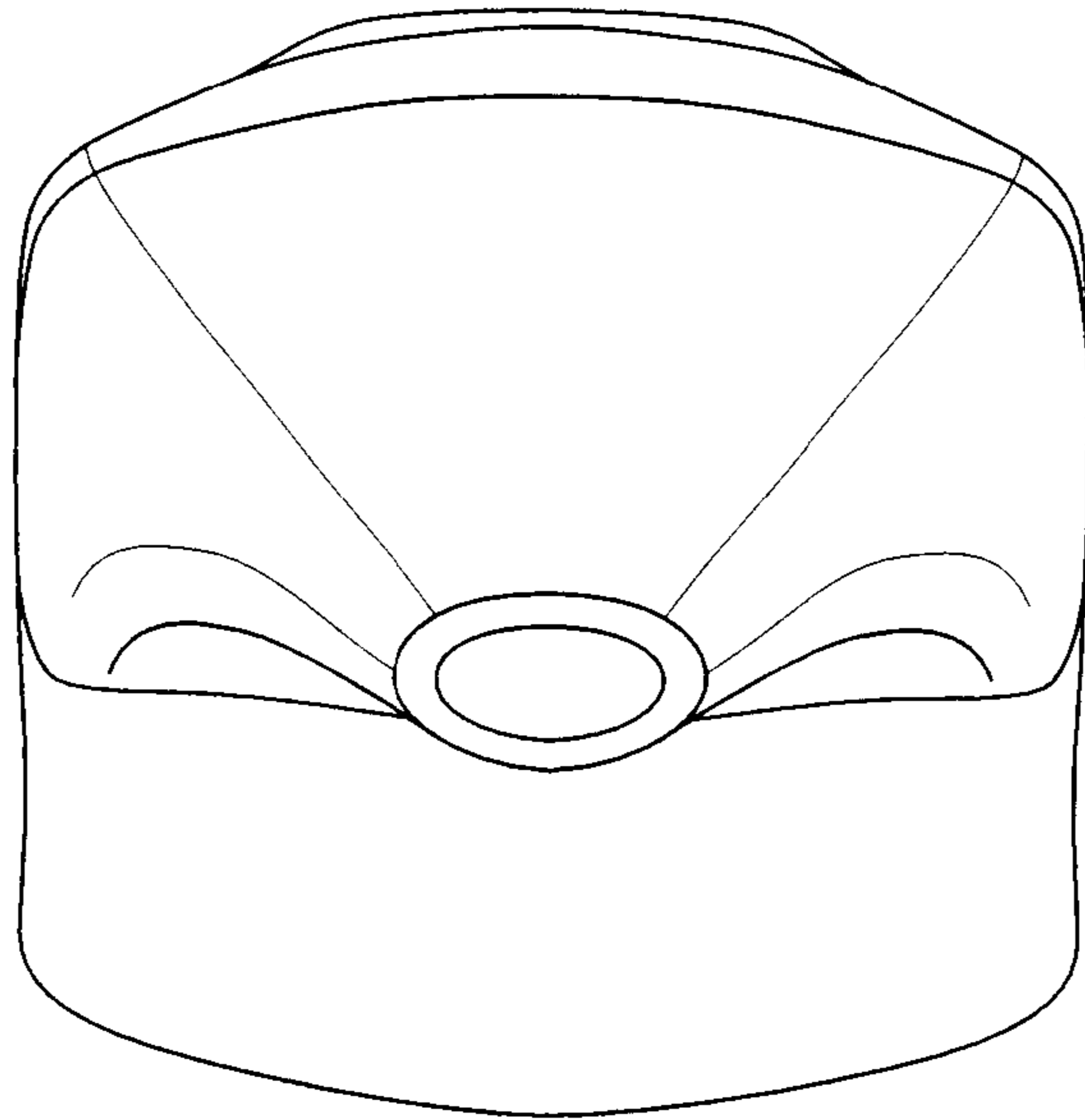
**Fig. 2**



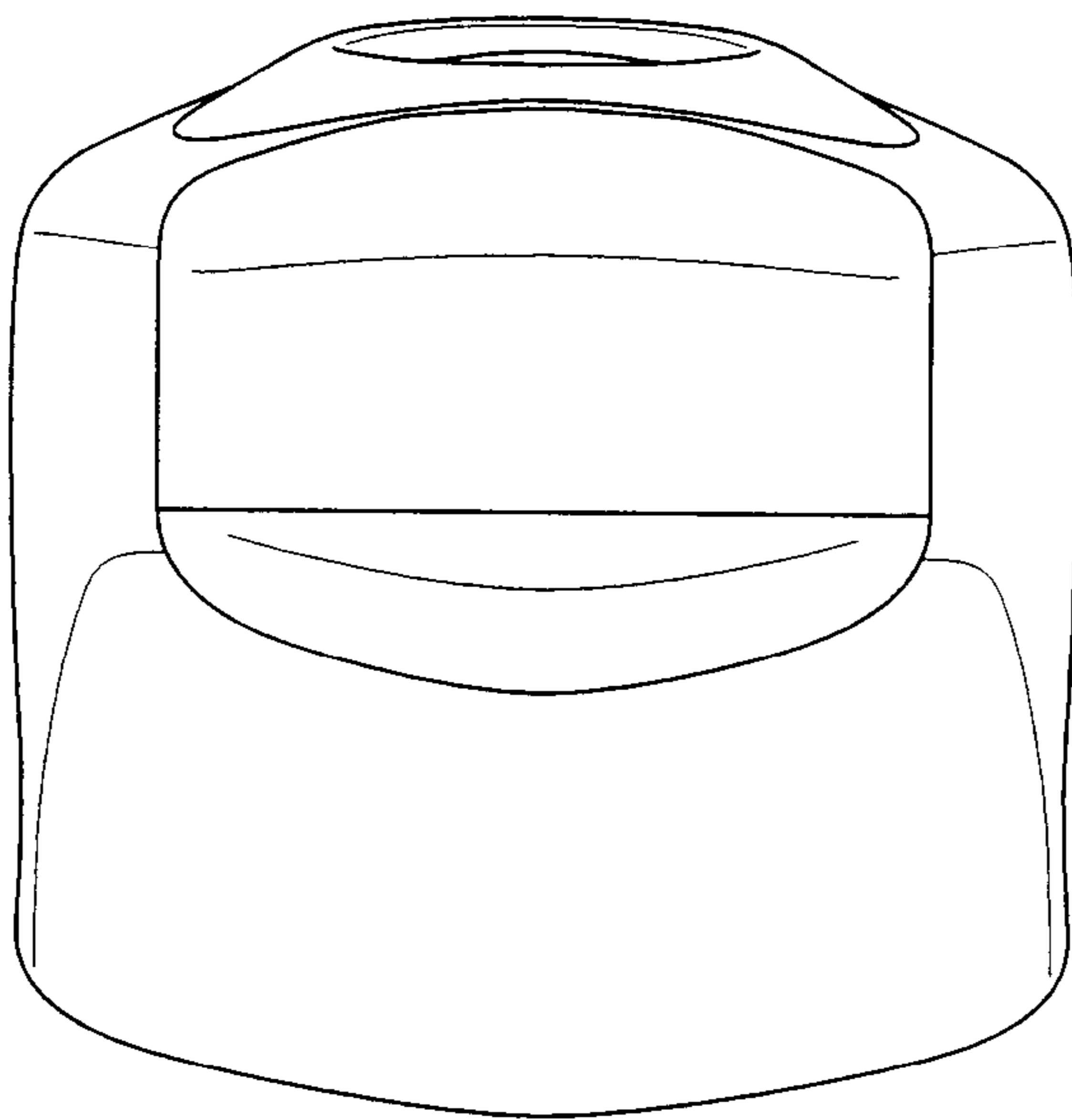
**Fig. 3**



**Fig. 4**



**Fig. 5**



**Fig. 6**