



US00D481838S

(12) **United States Design Patent**
Renner

(10) **Patent No.:** **US D481,838 S**

(45) **Date of Patent:** **** Nov. 4, 2003**

(54) **HIGH-PRESSURE CLEANING APPARATUS WITH SLOTTED COVER**

D464,471 S * 10/2002 Burdsall et al. D32/15

OTHER PUBLICATIONS

(75) **Inventor:** **Reinhard Renner**, Esslingen (DE)

Catalog of Alfred Kaercher GmbH & Co., "Full Line 2001 for the Home, Garden, Car and Boat", pp. 4 and 9, dated 2001.

(73) **Assignee:** **Alfred Kaercher GmbH & Co. KG**, Winnenden (DE)

* cited by examiner

(**) **Term:** **14 Years**

Primary Examiner—Louis S. Zarfaz

(21) **Appl. No.:** **29/164,847**

Assistant Examiner—Robert A. Delehanty

(22) **Filed:** **Jul. 31, 2002**

(74) *Attorney, Agent, or Firm*—Barry R. Lipsitz

(30) **Foreign Application Priority Data**

(57) **CLAIM**

Jan. 31, 2002 (DE) 402 00 979
Feb. 15, 2002 (DE) 402 01 444

The ornamental design for a high-pressure cleaning apparatus with slotted cover, as shown and described.

(51) **LOC (7) Cl.** **15-05**

DESCRIPTION

(52) **U.S. Cl.** **D32/15**

FIG. 1 is a front perspective view showing the design with edge slots;

(58) **Field of Search** D32/1, 15, 25;
15/405, 320, 321, 323; 134/163.2; D23/213;
239/147, DIG. 21; D34/25

FIG. 2 is a top plan view showing the design;

FIG. 3 is a front elevational view showing the design;

FIG. 4 is a right side view showing the design;

FIG. 5 is a left side view showing the design;

FIG. 6 is a rear elevational view showing the design; and,

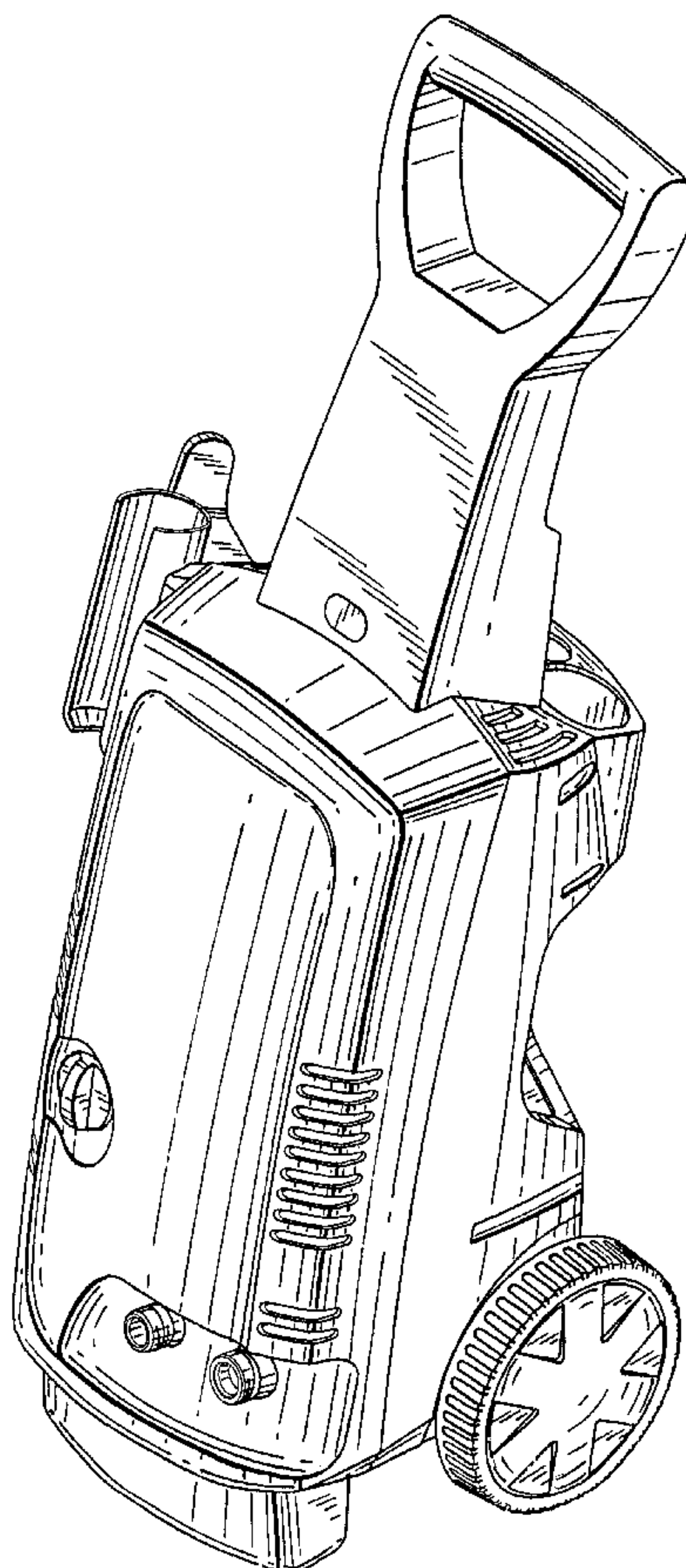
FIG. 7 is a bottom plan view showing the design.

(56) **References Cited**

U.S. PATENT DOCUMENTS

3,797,743 A * 3/1974 Kommers et al. 239/148
5,405,086 A * 4/1995 Kranzle 239/172
5,528,794 A * 6/1996 Tomasiak 15/323

1 Claim, 6 Drawing Sheets



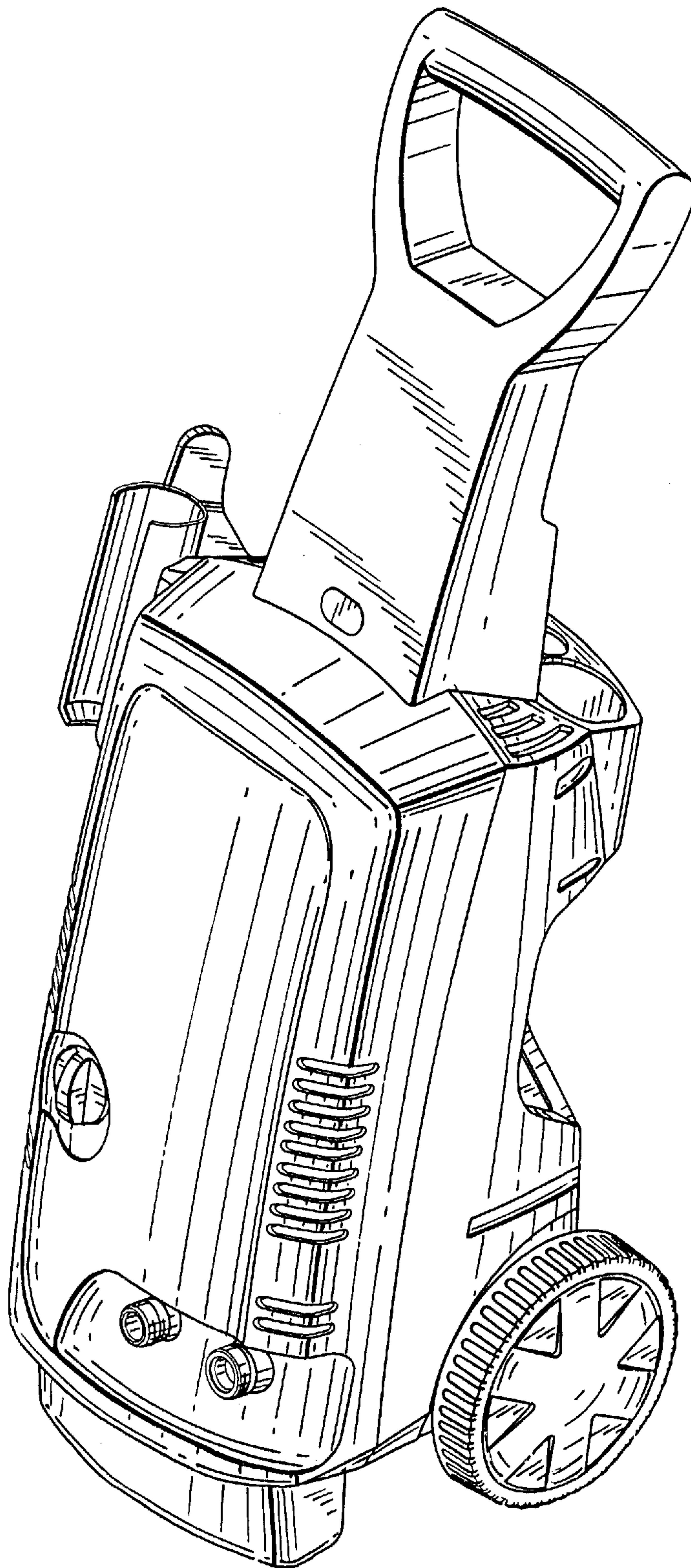


FIG. 1

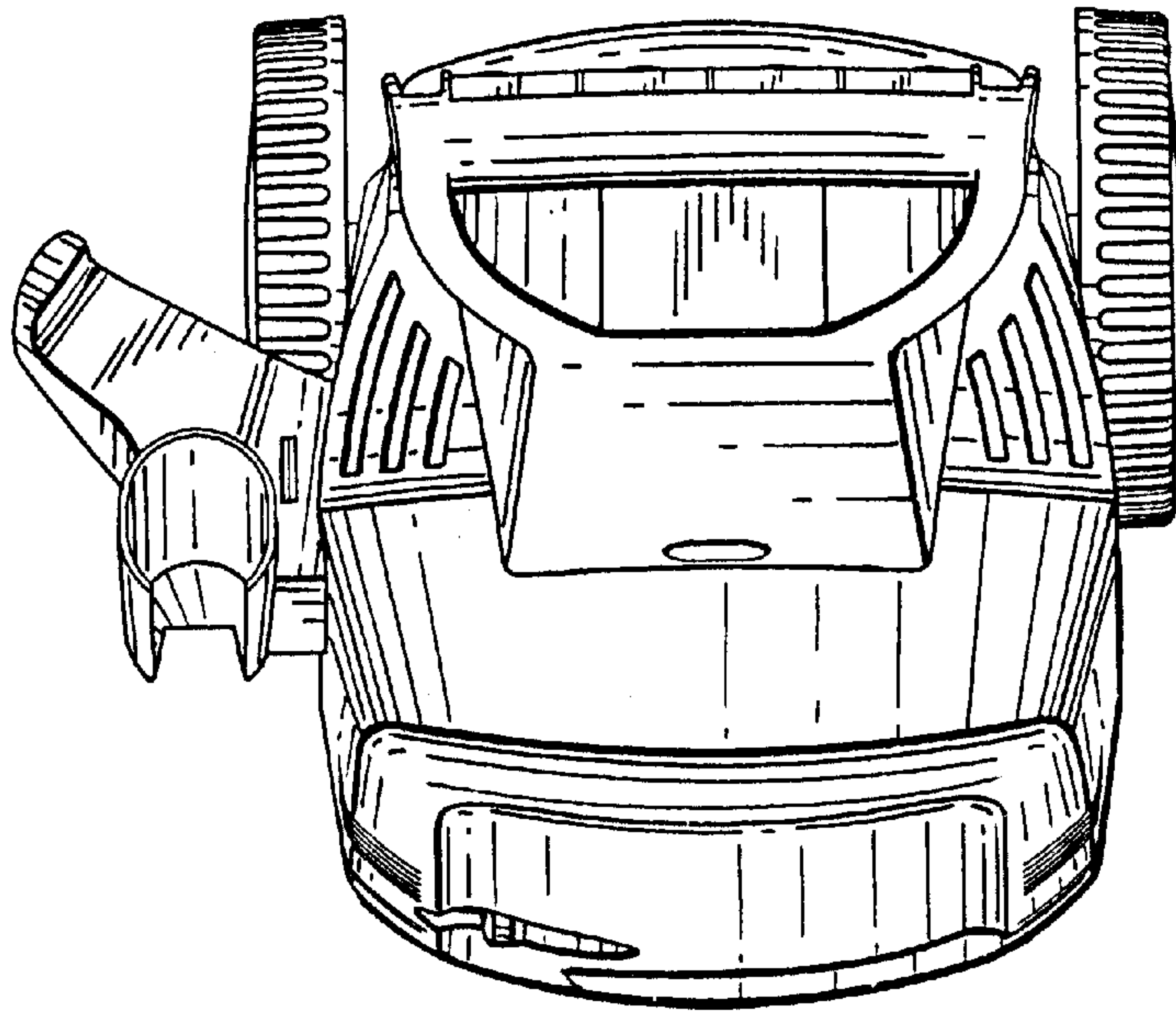


FIG. 2

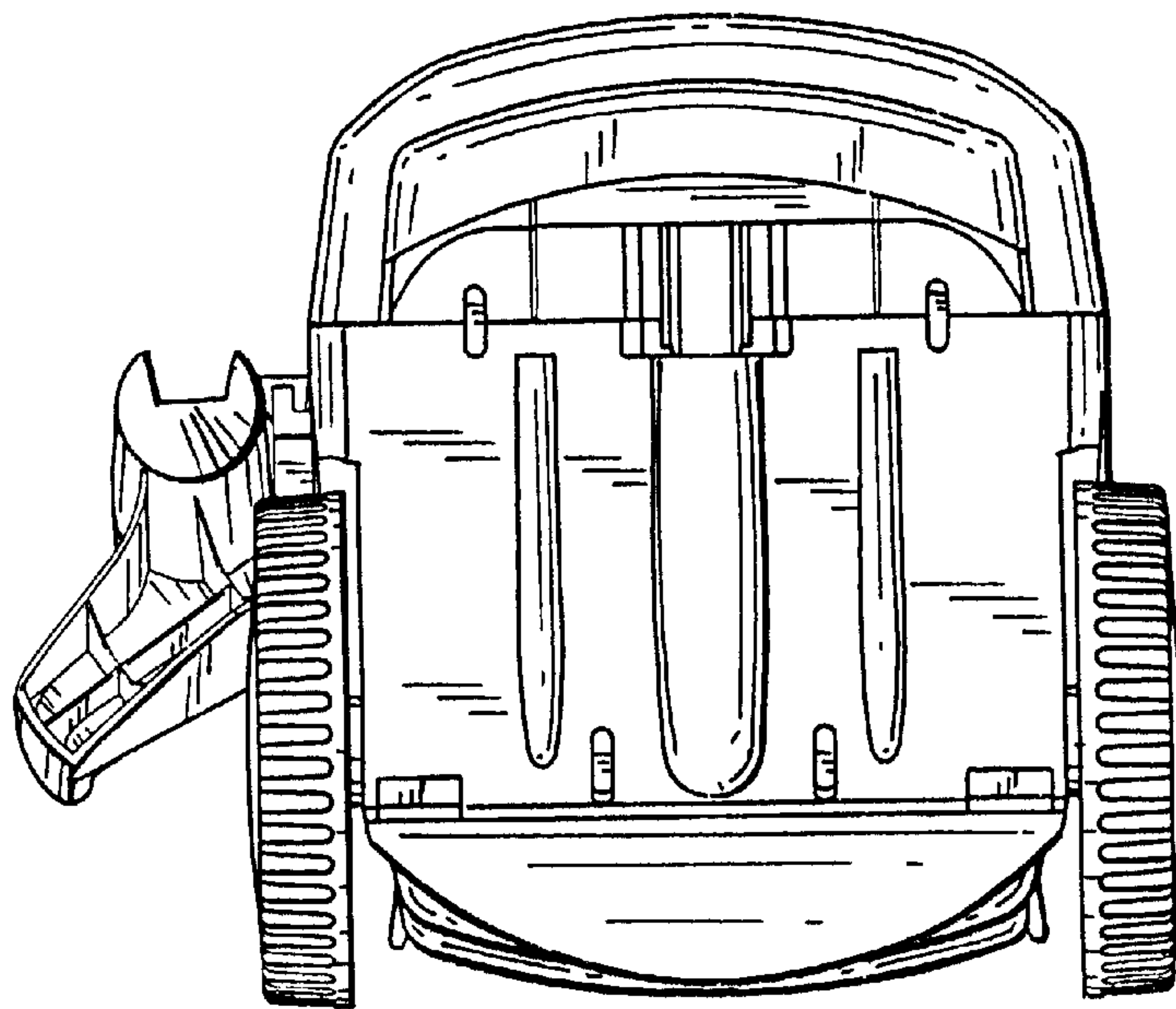


FIG. 7

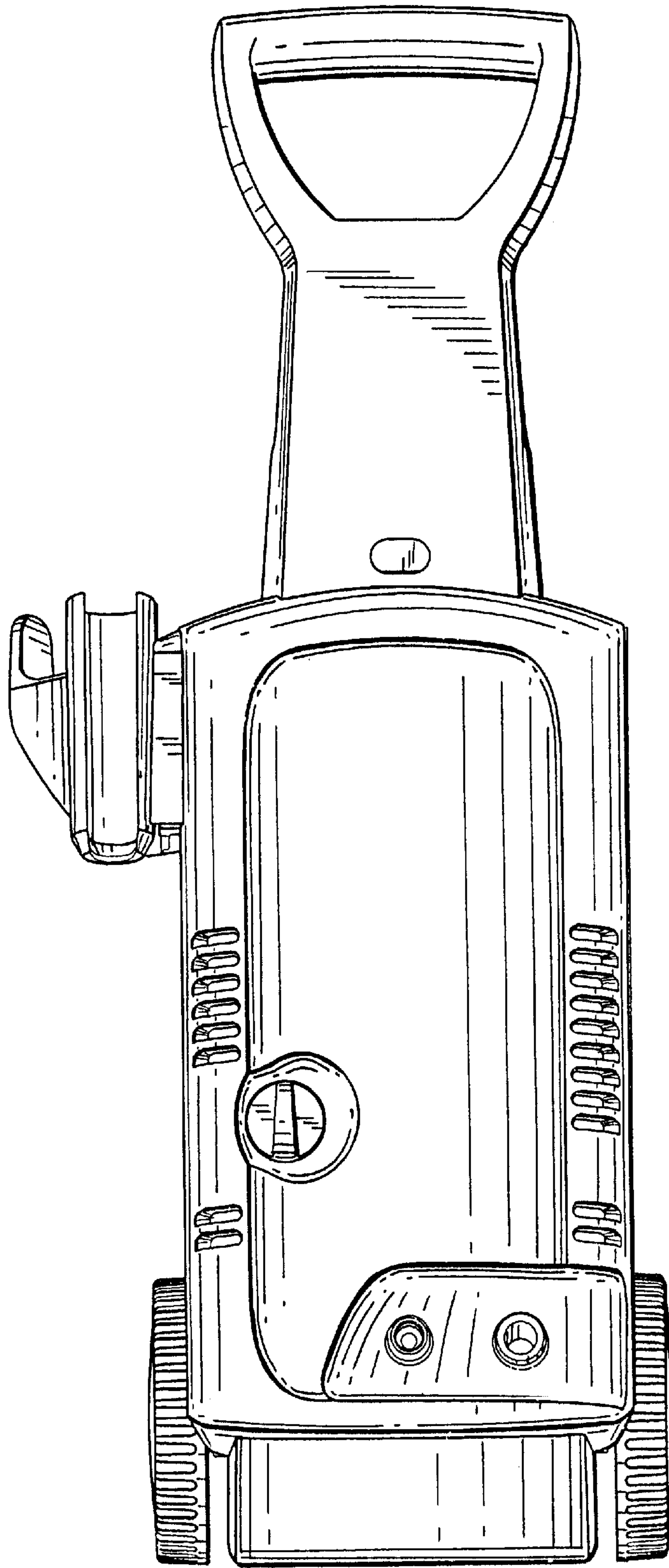


FIG. 3

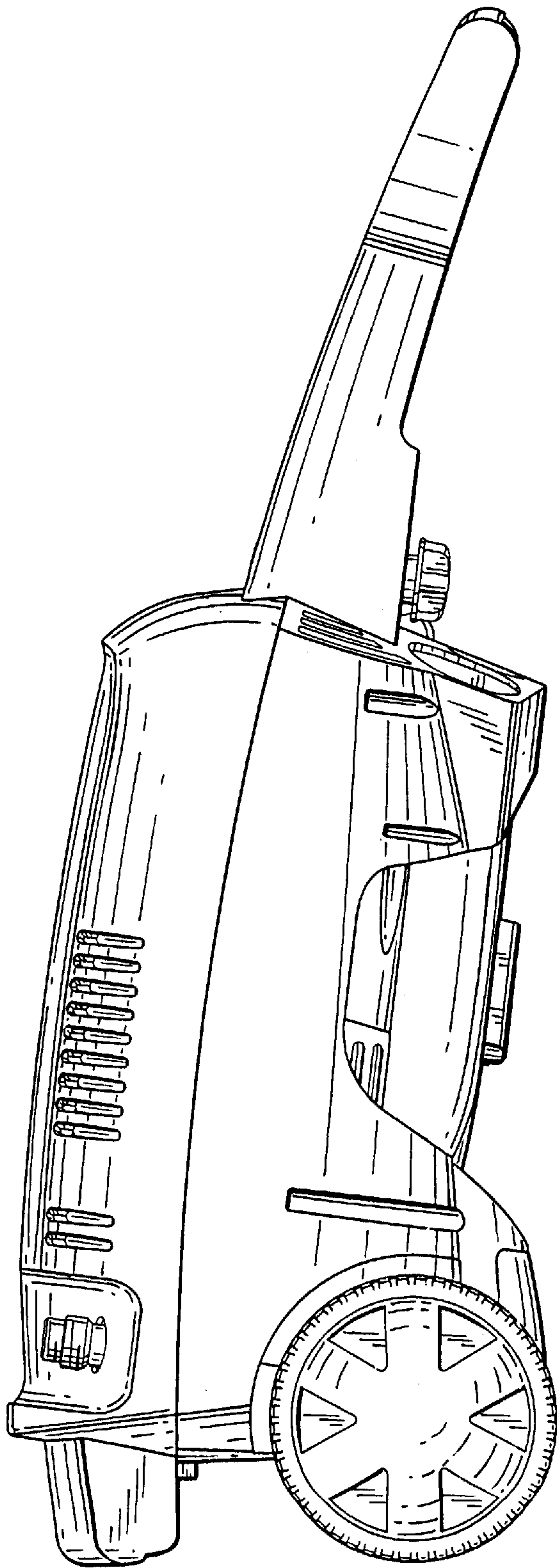


FIG.4

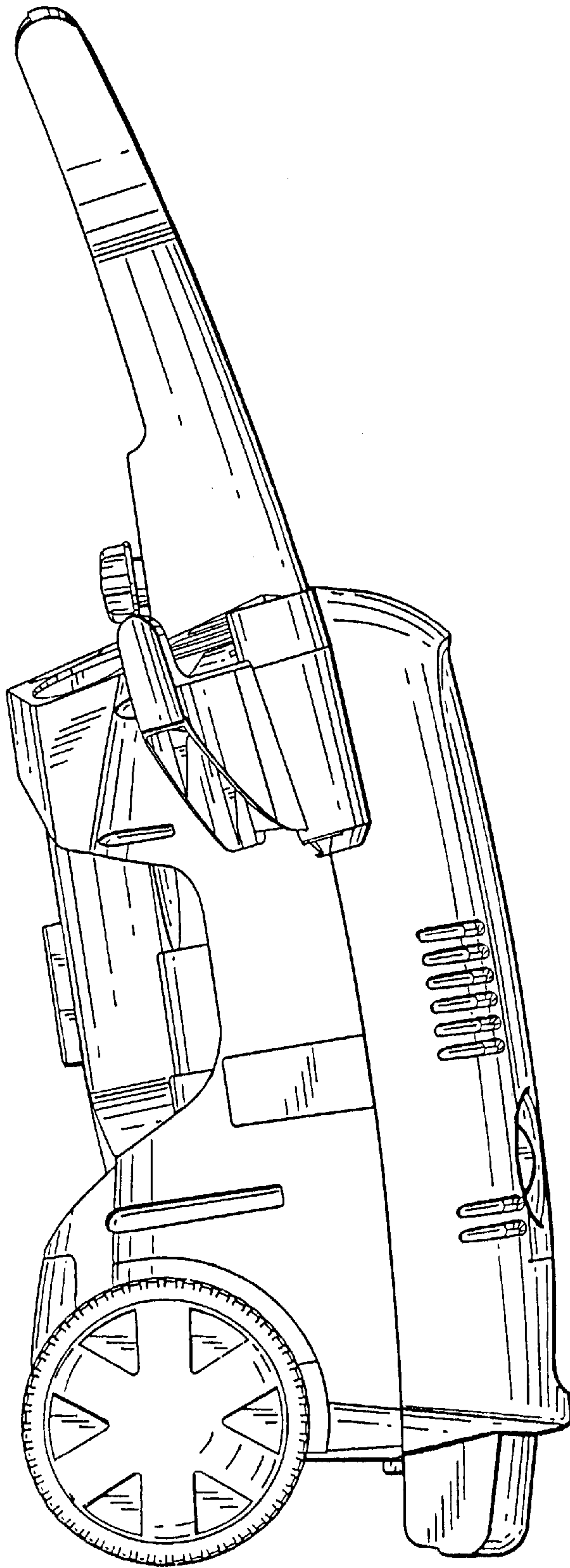


FIG.5

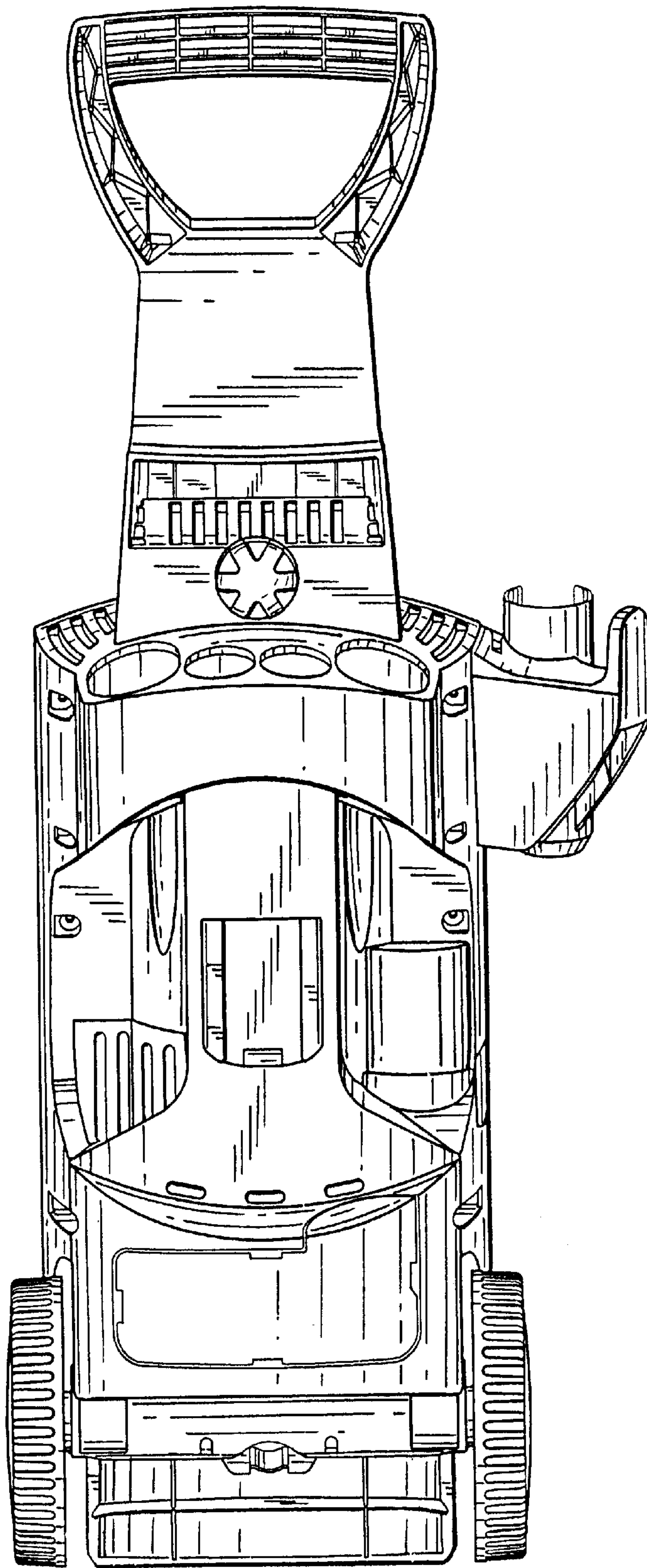


FIG. 6