



US00D481836S

(12) **United States Design Patent**  
**Simon**

(10) **Patent No.:** **US D481,836 S**

(45) **Date of Patent:** **\*\* Nov. 4, 2003**

(54) **SHEDDING BLADE**

(75) Inventor: **Allen Simon**, East Northport, NY (US)

(73) Assignee: **Four Paws Products, Ltd.**, Hauppauge, NY (US)

(\*\*) Term: **14 Years**

(21) Appl. No.: **29/150,729**

(22) Filed: **Nov. 28, 2001**

(51) **LOC (7) Cl.** ..... **30-03**

(52) **U.S. Cl.** ..... **D30/158**; D8/96

(58) **Field of Search** ..... D8/14, 96; D30/158;  
D4/136; 119/606, 609, 627, 632; 15/402,  
396

(56) **References Cited**

**U.S. PATENT DOCUMENTS**

- 4,040,390 A \* 8/1977 Rosenbaum ..... 119/631
- 5,067,444 A \* 11/1991 Parker ..... 119/606
- 5,768,747 A \* 6/1998 Smith ..... 15/402
- D422,759 S \* 4/2000 Cady et al. .... D30/158

6,055,938 A \* 5/2000 Klein ..... 119/606

\* cited by examiner

*Primary Examiner*—Philip S. Hyder

(74) *Attorney, Agent, or Firm*—Darby & Darby

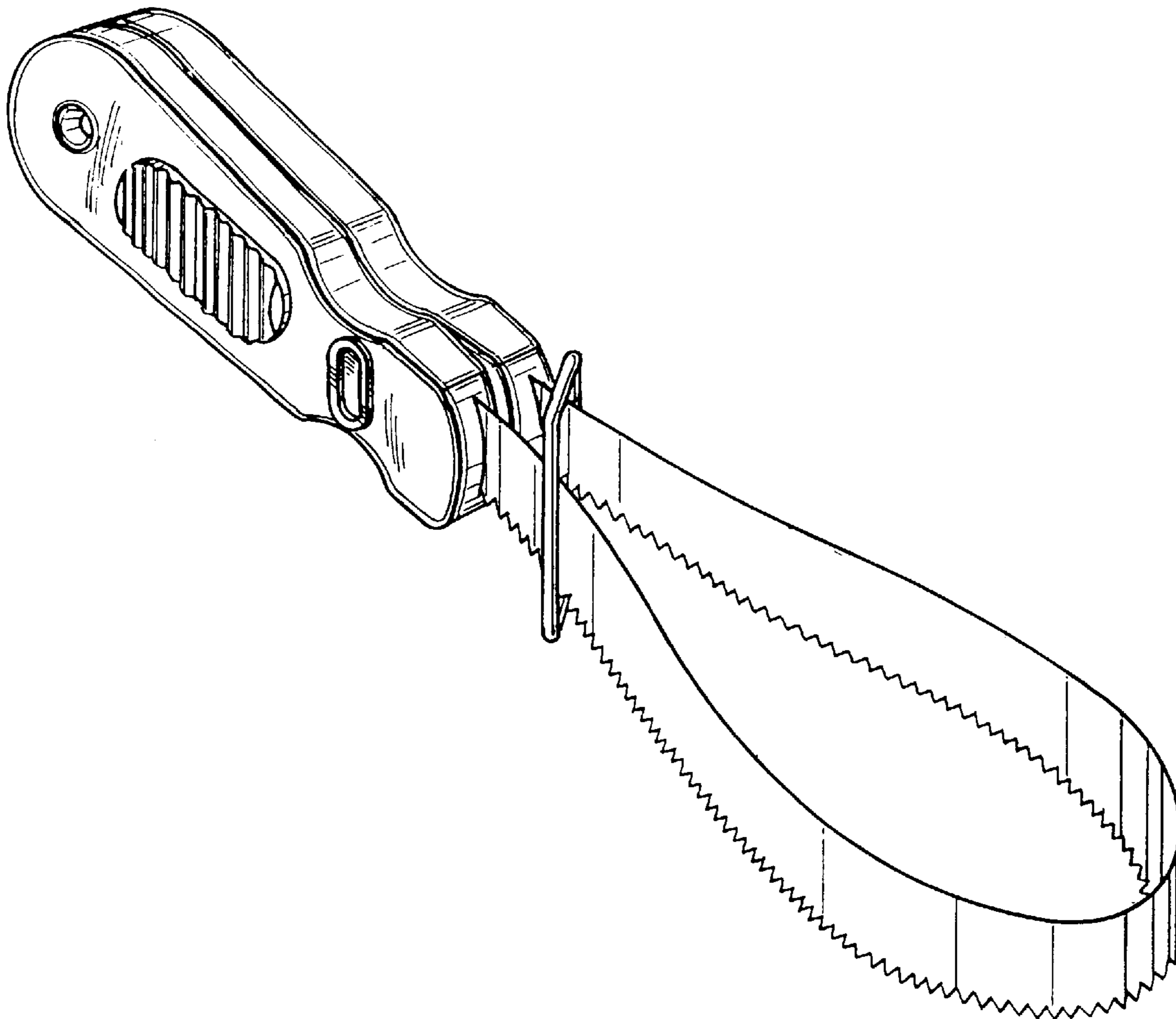
(57) **CLAIM**

The ornamental design for a shedding blade, as shown and described.

**DESCRIPTION**

FIG. 1 is a perspective view of a shedding blade showing my new design;  
 FIG. 2 is a front elevation of the shedding blade;  
 FIG. 3 is a rear elevation of the shedding blade;  
 FIG. 4 is a right side elevation of the shedding blade;  
 FIG. 5 is a top plan view of the shedding blade, the bottom plan view being a mirror image thereof;  
 FIG. 6 is a left side elevation of the shedding blade;  
 FIG. 7 is an inside elevation with the shedding blade in the open position; and,  
 FIG. 8 is an enlarged rear elevation with the shedding blade in the open position.

**1 Claim, 3 Drawing Sheets**



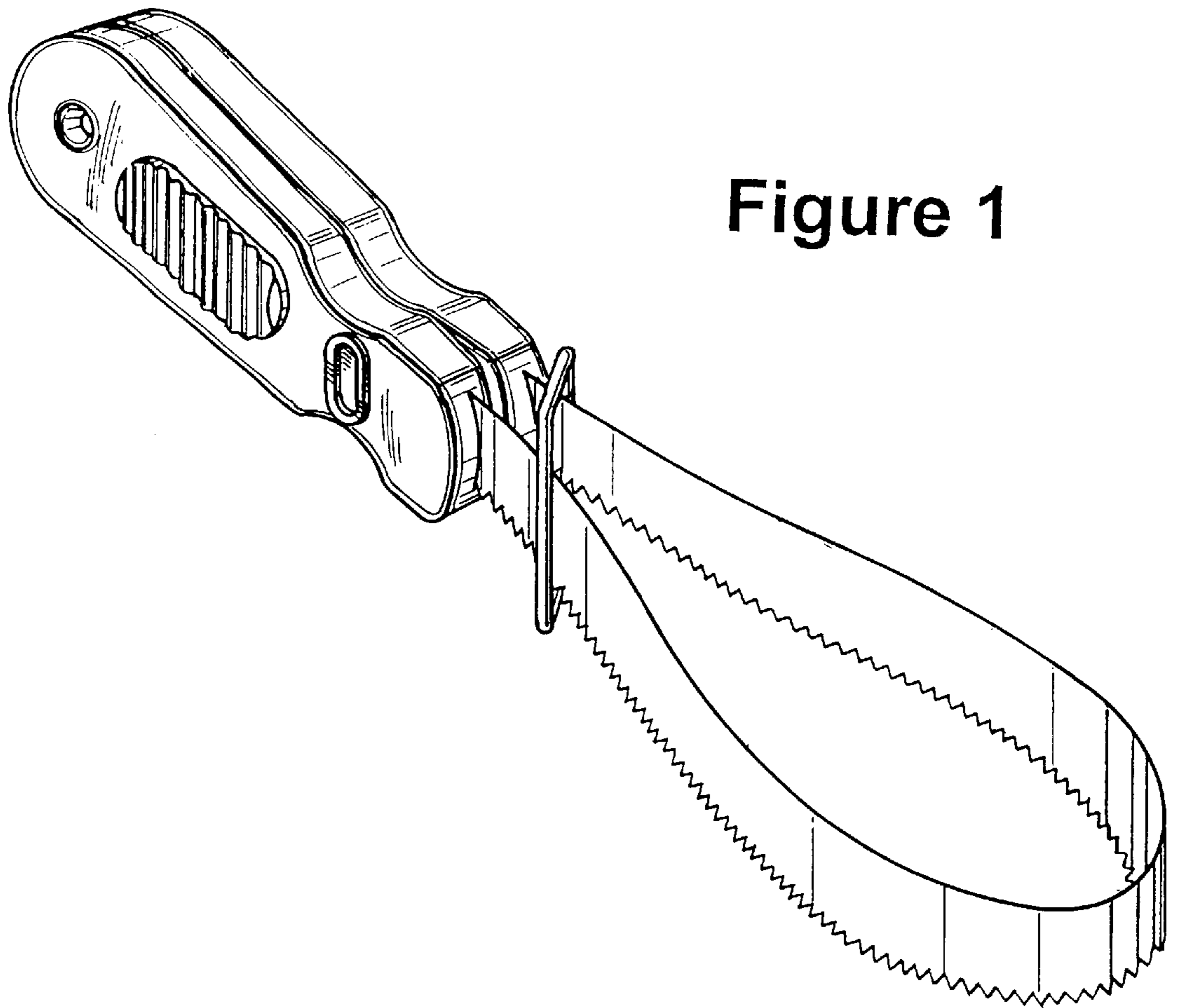


Figure 1

Figure 2

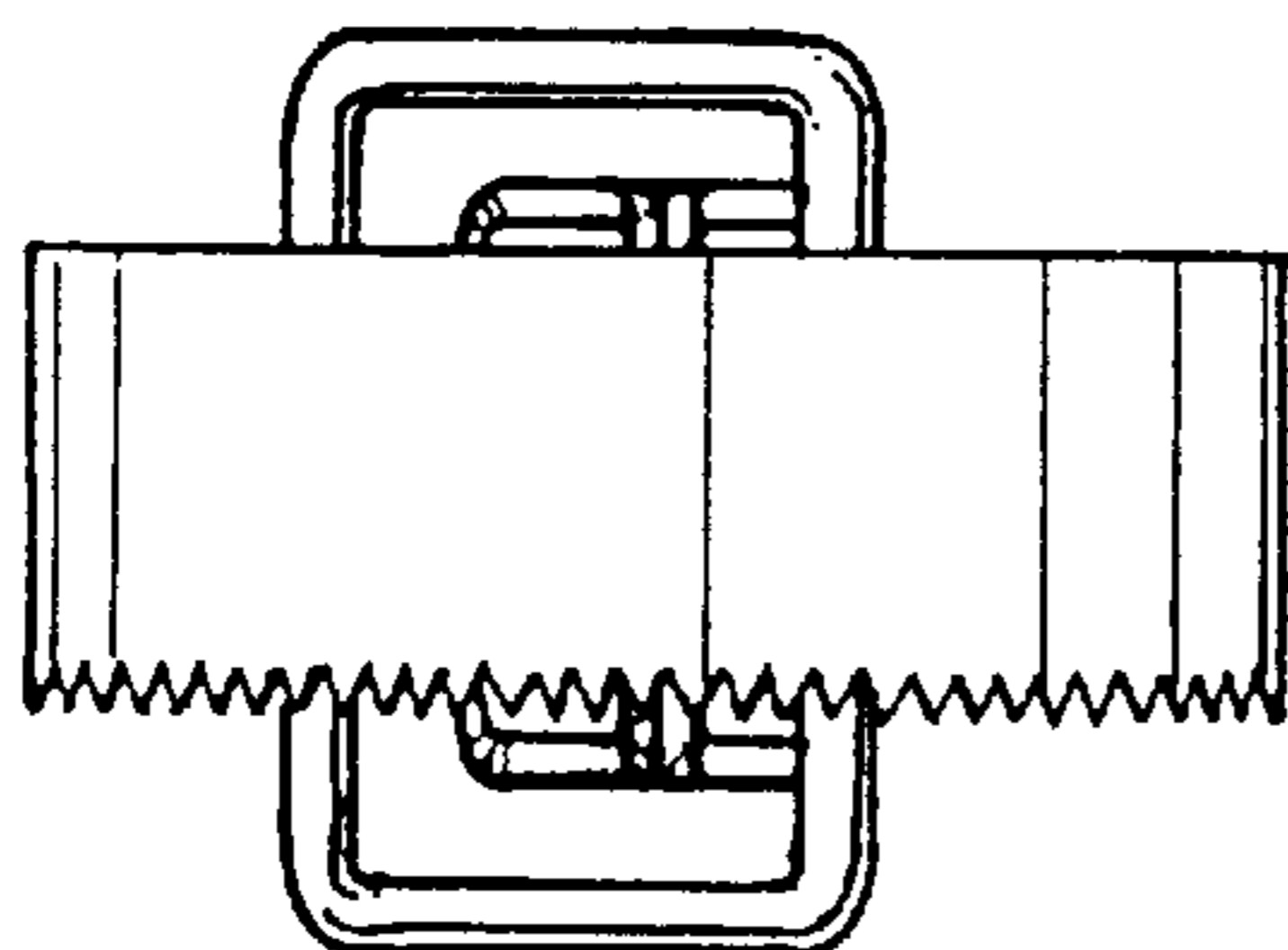


Figure 3

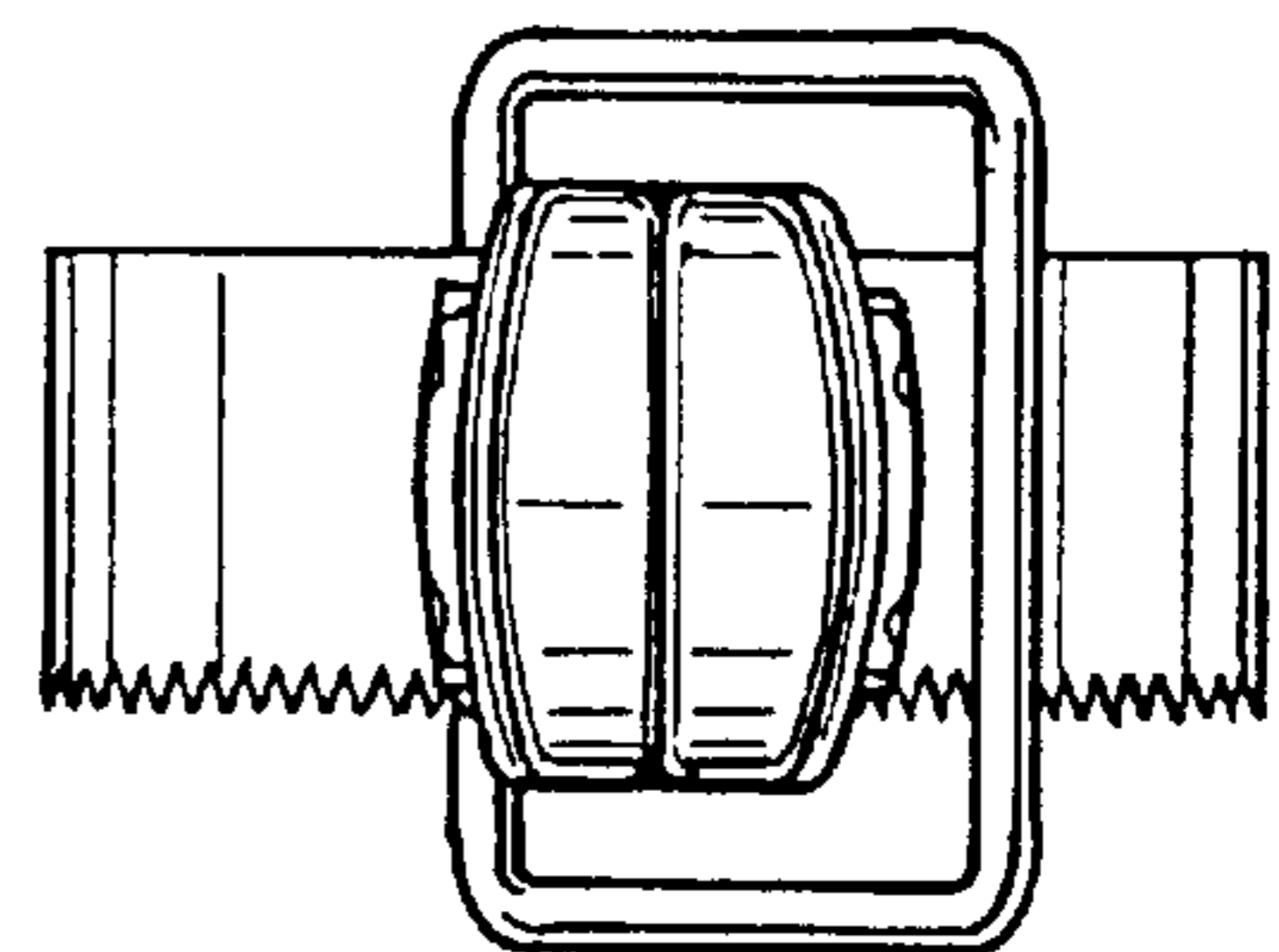


Figure 4

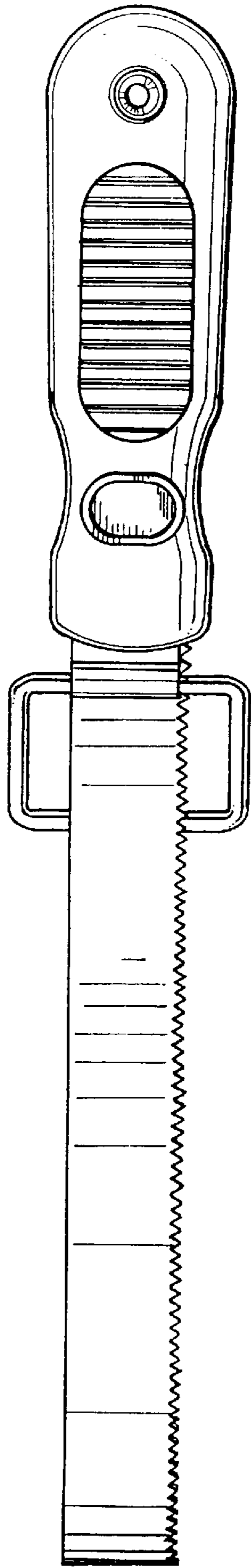


Figure 5

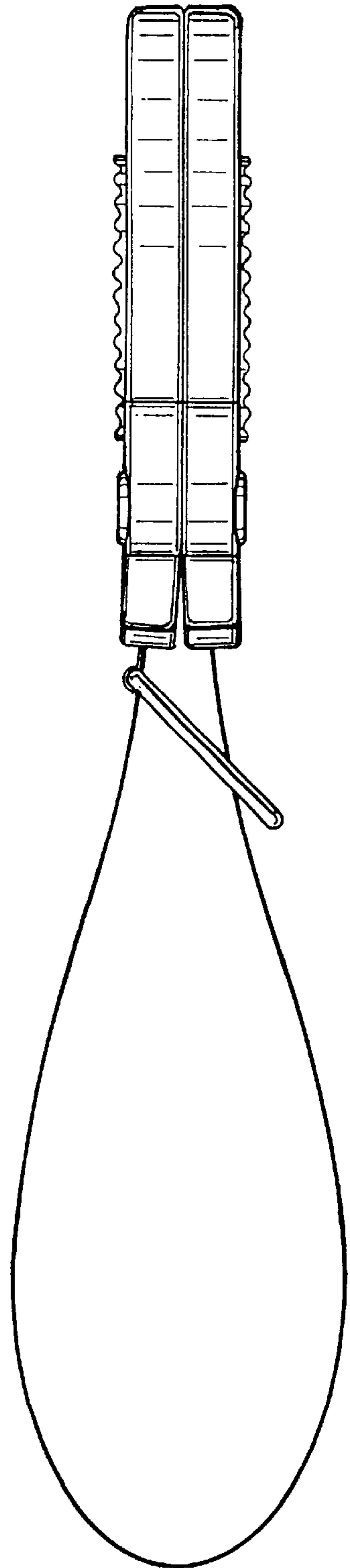


Figure 6

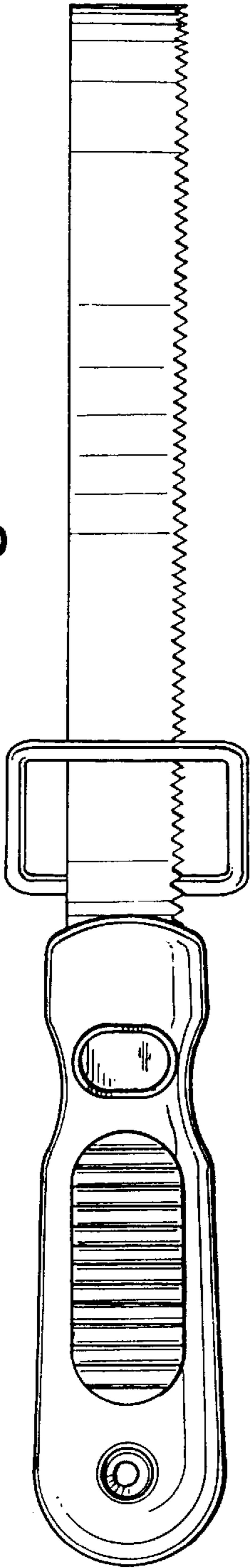


Figure 7

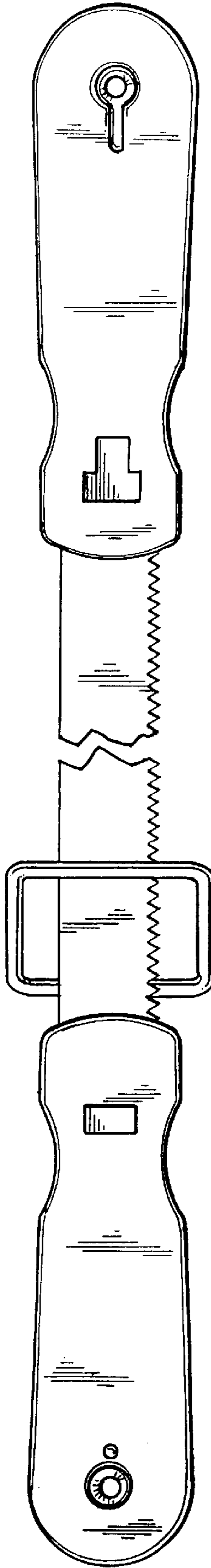


Figure 8

