



US00D481823S

(12) **United States Design Patent**
McClow et al.

(10) **Patent No.:** **US D481,823 S**

(45) **Date of Patent:** **** Nov. 4, 2003**

(54) **LUMINAIRE CAP**

D437,449 S * 2/2001 Soller D26/119
D439,009 S * 3/2001 Broeders D26/119

(76) Inventors: **Jeffrey D. McClow**, 234 Trail Ct., Newark, OH (US) 43055; **Nate VanMeter**, 341 N. Granger St., Granville, OH (US) 43023; **Scott L. Posey**, 2669 Loper Rd., NE., Newark, OH (US) 43055

* cited by examiner

Primary Examiner—Jennifer Rivard
(74) *Attorney, Agent, or Firm*—Kenneth E. Darnell

(**) Term: **14 Years**

(57) **CLAIM**

The ornamental design for a luminaire cap, as shown and described.

(21) Appl. No.: **29/169,361**

DESCRIPTION

(22) Filed: **Oct. 18, 2002**

FIG. 1 is a perspective view of a luminaire cap showing the new design;

(51) **LOC (7) Cl.** **26-99**

FIG. 2 is a side elevational view thereof;

(52) **U.S. Cl.** **D26/113; D26/131**

FIG. 3 is a top plan view thereof;

(58) **Field of Search** D26/113, 118, D26/119, 131, 72, 85, 86, 87, 92; 362/341, 345, 347, 348, 349, 350, 362

FIG. 4 is a bottom view thereof; and,

FIG. 5 is a side elevational view shown in a use environment.

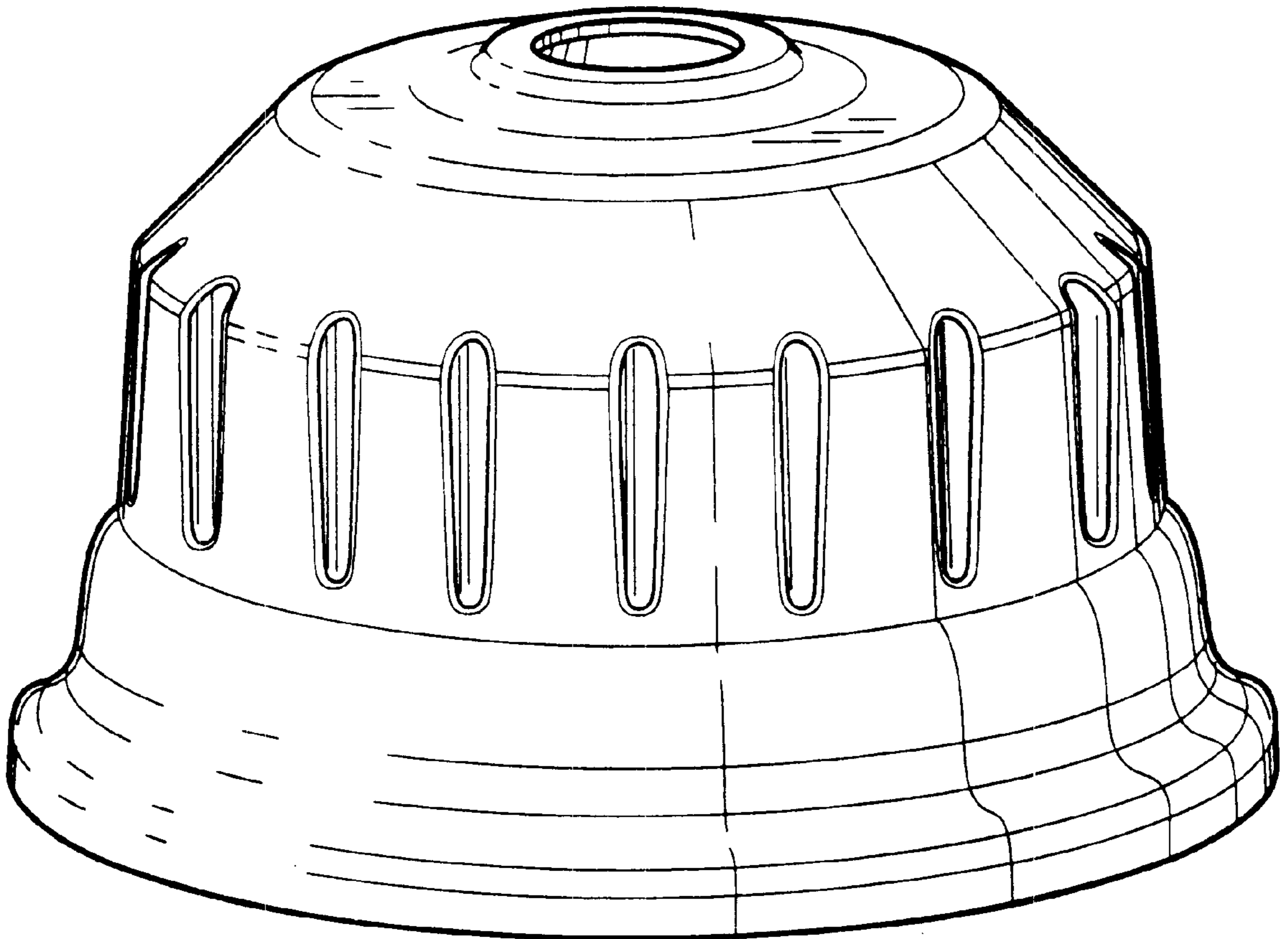
(56) **References Cited**

The broken line environmental showing is for illustrative purposes only and forms no part of the claimed design.

U.S. PATENT DOCUMENTS

6,126,300 A * 10/2000 Lee 362/345

1 Claim, 3 Drawing Sheets



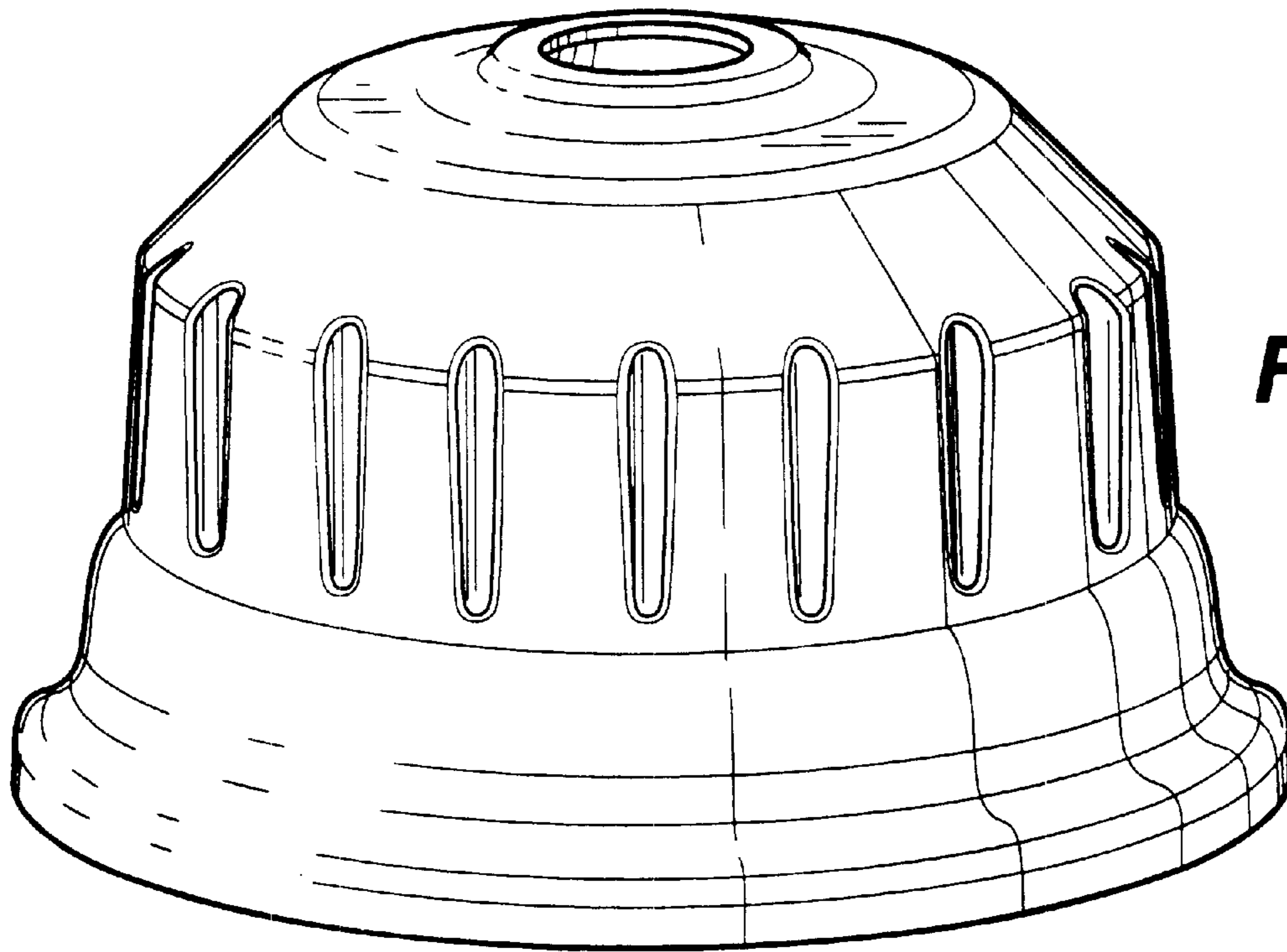


Fig. 1

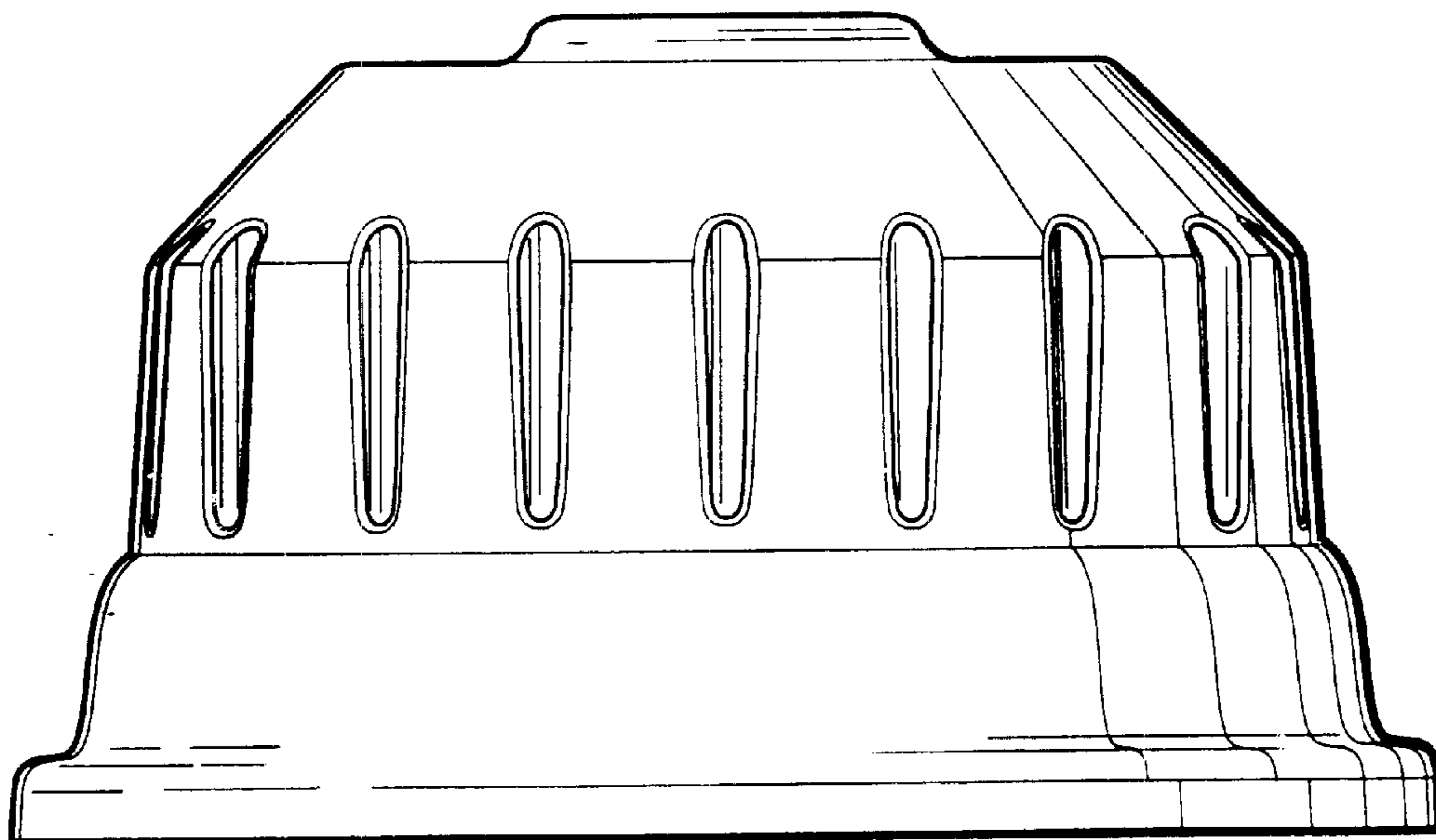


Fig. 2

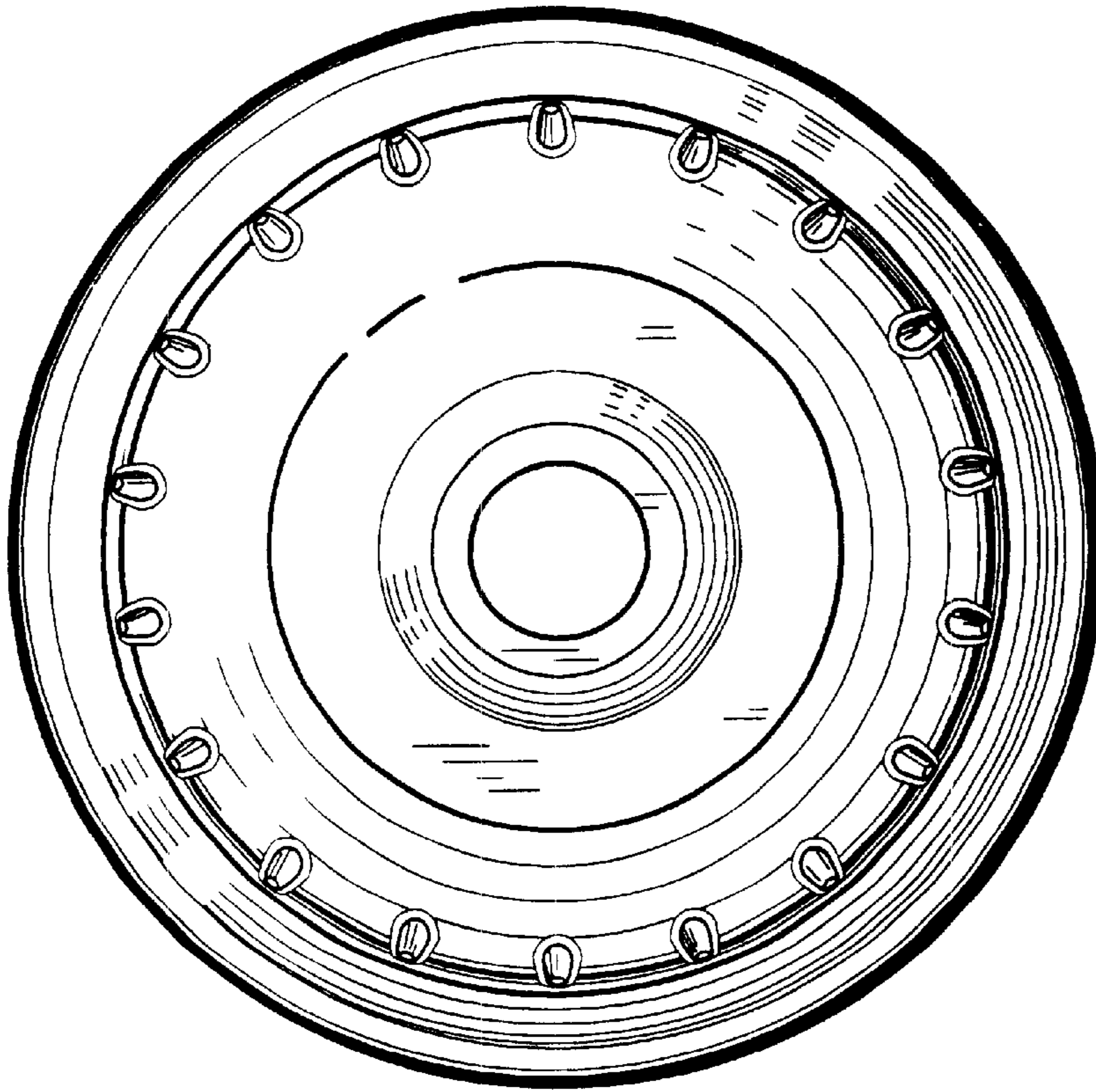


Fig. 3

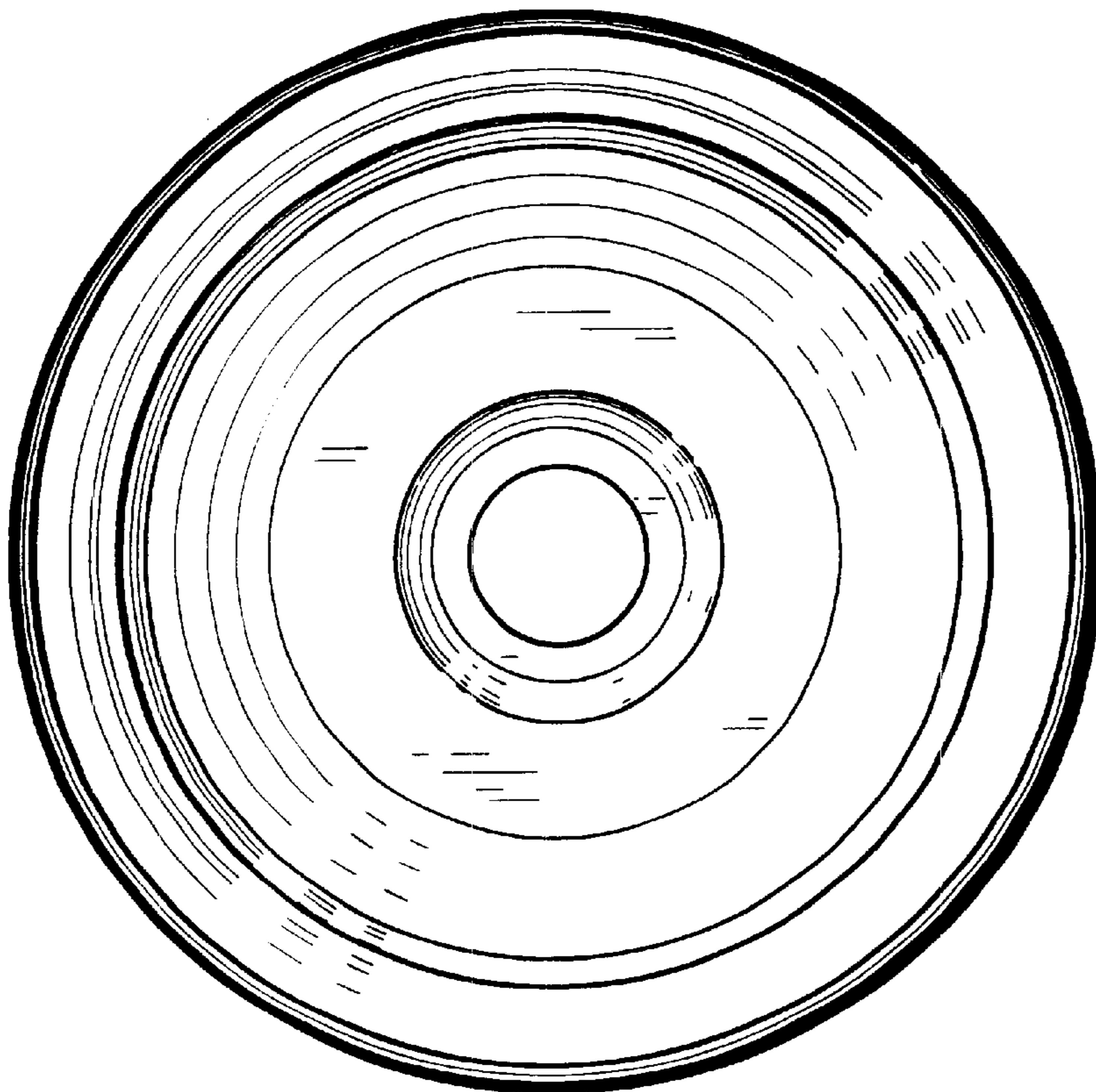


Fig. 4

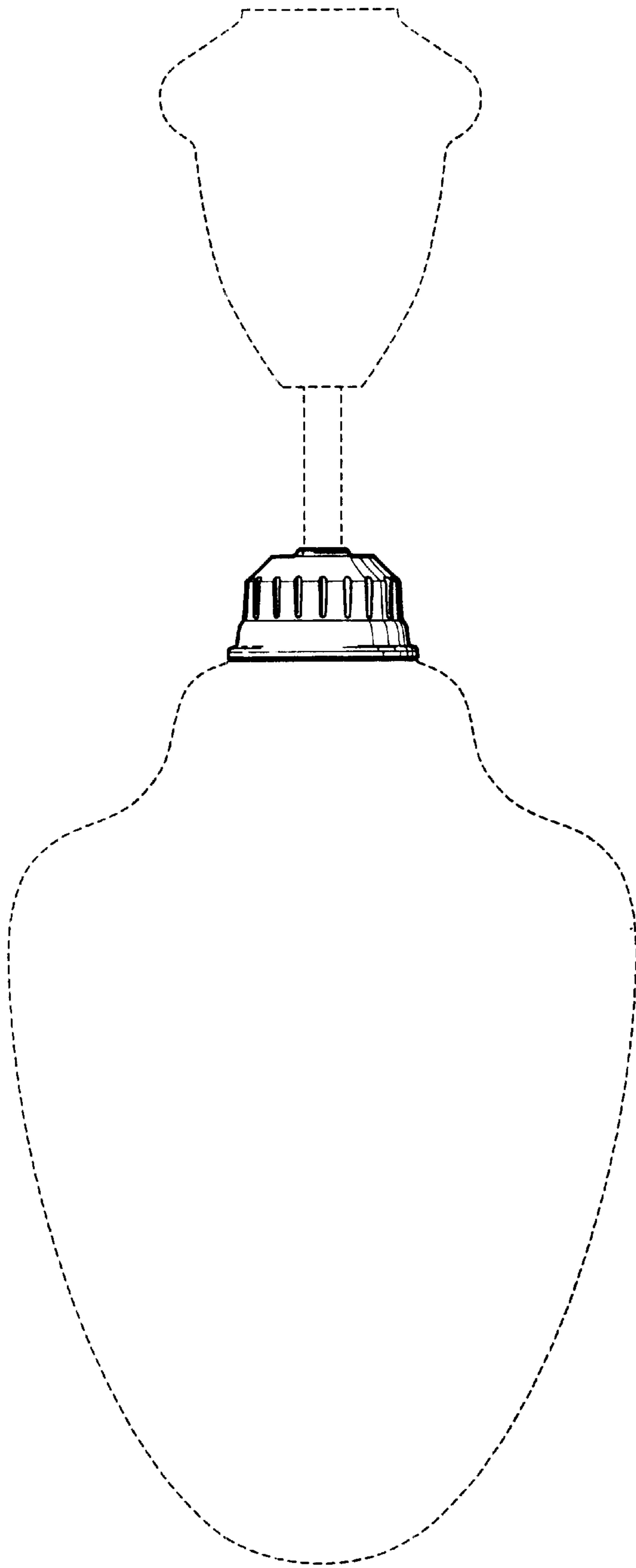


Fig. 5