



US00D481820S

(12) **United States Design Patent**
Watt

(10) **Patent No.:** **US D481,820 S**

(45) **Date of Patent:** **** Nov. 4, 2003**

(54) **LIGHT FIXTURE**

(75) **Inventor:** **Graeme Robert Alexander Watt,**
Altrincham (GB)

(73) **Assignee:** **Focal Point, L.L.C.,** Chicago, IL (US)

(**) **Term:** **14 Years**

(21) **Appl. No.:** **29/166,107**

(22) **Filed:** **Aug. 22, 2002**

(51) **LOC (7) Cl.** **26-03**

(52) **U.S. Cl.** **D26/77; D26/121**

(58) **Field of Search** **D26/72, 75-78,**
D26/118, 119, 121, 122, 152; 362/215,
217-225, 260, 291, 342, 354

(56) **References Cited**

U.S. PATENT DOCUMENTS

4,646,212	A	*	2/1987	Florence	362/225
D320,283	S	*	9/1991	Burkarth	D26/77
D351,039	S	*	9/1994	Cole, Jr.	D26/77
D397,819	S	*	9/1998	Thorton, Jr.	D26/77
D399,019	S	*	9/1998	Wilmotte	D26/77
D431,086	S	*	9/2000	Cole, Jr.	D26/76

OTHER PUBLICATIONS

- Specification/Installation Information for VERVE I, Sep. 2001 (4 pages).
- Specification/Installation Information for VERVE II, Sep. 2001 (4 pages).
- Specification Information for Linear Lighting Corp, Crescent 312P3/P4 (3 pages).
- Specification Information for Litecontrol, Classica ID(1 page).
- Specification Information for Cooper Lighting, Corelite Iridium 1T5 (2 pages).
- Specification Information for Architectural Lighting Products, Corelite Class A Perf D/I (2 page).
- Specification Information for Cooper Lighting, Petite Nuage Series 302DIP/T8 (1 page).

- Specification/Installation Information for Zumtobel Staff, Spheros T5 (2 pages).
- Specification Information for SELUX Corp 2002, Aureus Direct/Indirect (3 pages).
- Specification Information for SELUX Corp 2001, Artec D/I (4 pates).
- Specification/Installation Information for Prudential Lighting, 2001, PRU-5 (4 pages).
- Specification Information for Peerless Lighting Corporation, 2000, Mirage (5 pages).
- Specification Information for Ledalite/Sonata (1 page).
- Specification Information for Ledalite/Achieva (1 page).
- Specification Information for Ledalite/Apex 55 (1 page).
- Specification Information for Ledalite/Minuet (1 page).
- Specification Information for Ledalite/Euro 55 (1 page).

* cited by examiner

Primary Examiner—Clare E. Heflin

(74) *Attorney, Agent, or Firm*—Banner & Witcoff, Ltd.

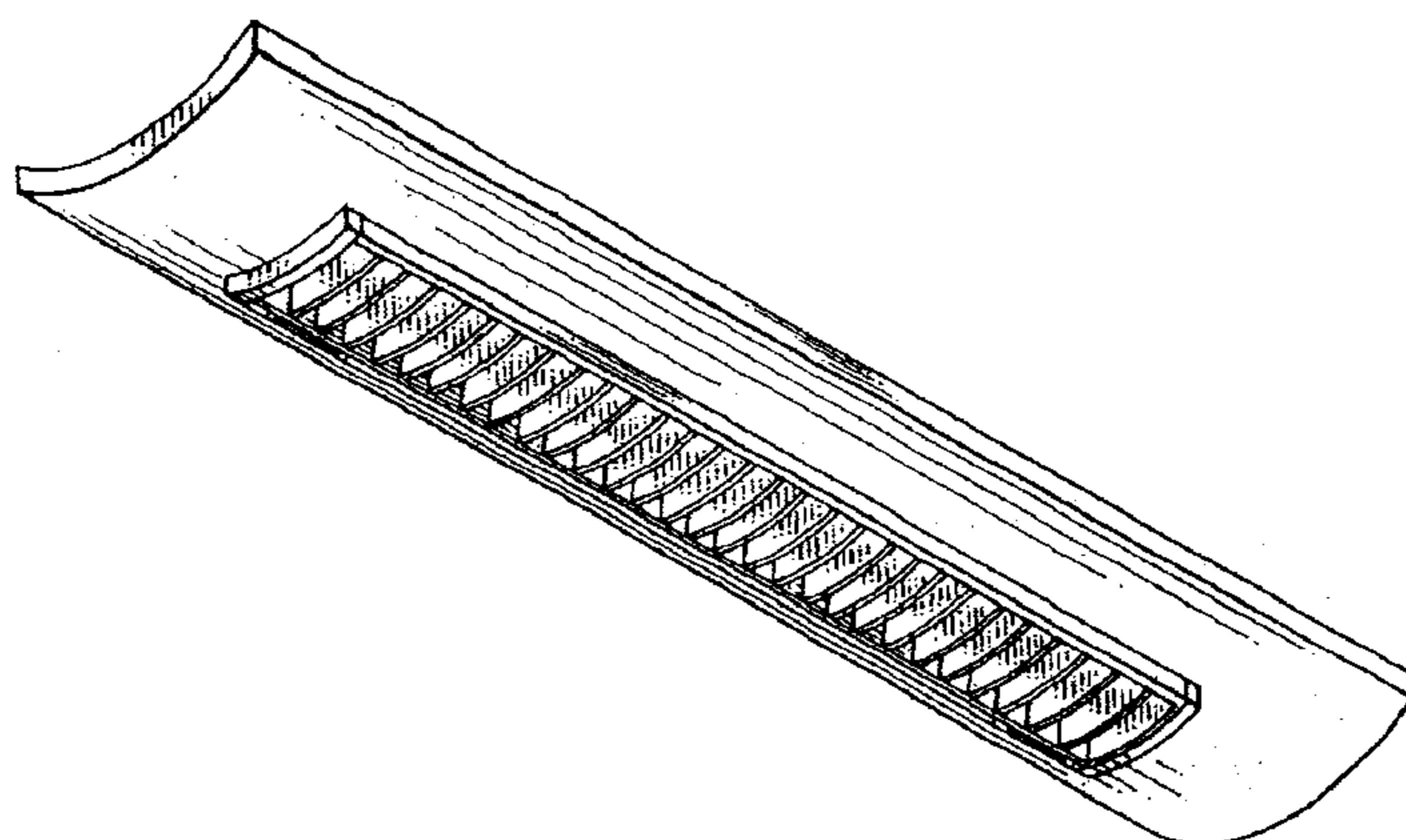
(57) **CLAIM**

The ornamental design for a light fixture, as shown and described.

DESCRIPTION

- FIG. 1 is a bottom perspective view of a light fixture showing my new design;
 - FIG. 2 is a side view, the opposite side being a mirror image thereof;
 - FIG. 3 is a bottom view thereof;
 - FIG. 4 is an end view, the opposite end being a mirror image thereof; and,
 - FIG. 5 is a view along line 5—5 of FIG. 3 showing a cross-section side view of my new design.
- Where certain features are shown only on one side of the light fixture, the features are the same as the corresponding features on the other side of the light fixture in view of the symmetrical nature of the claimed design.

1 Claim, 1 Drawing Sheet



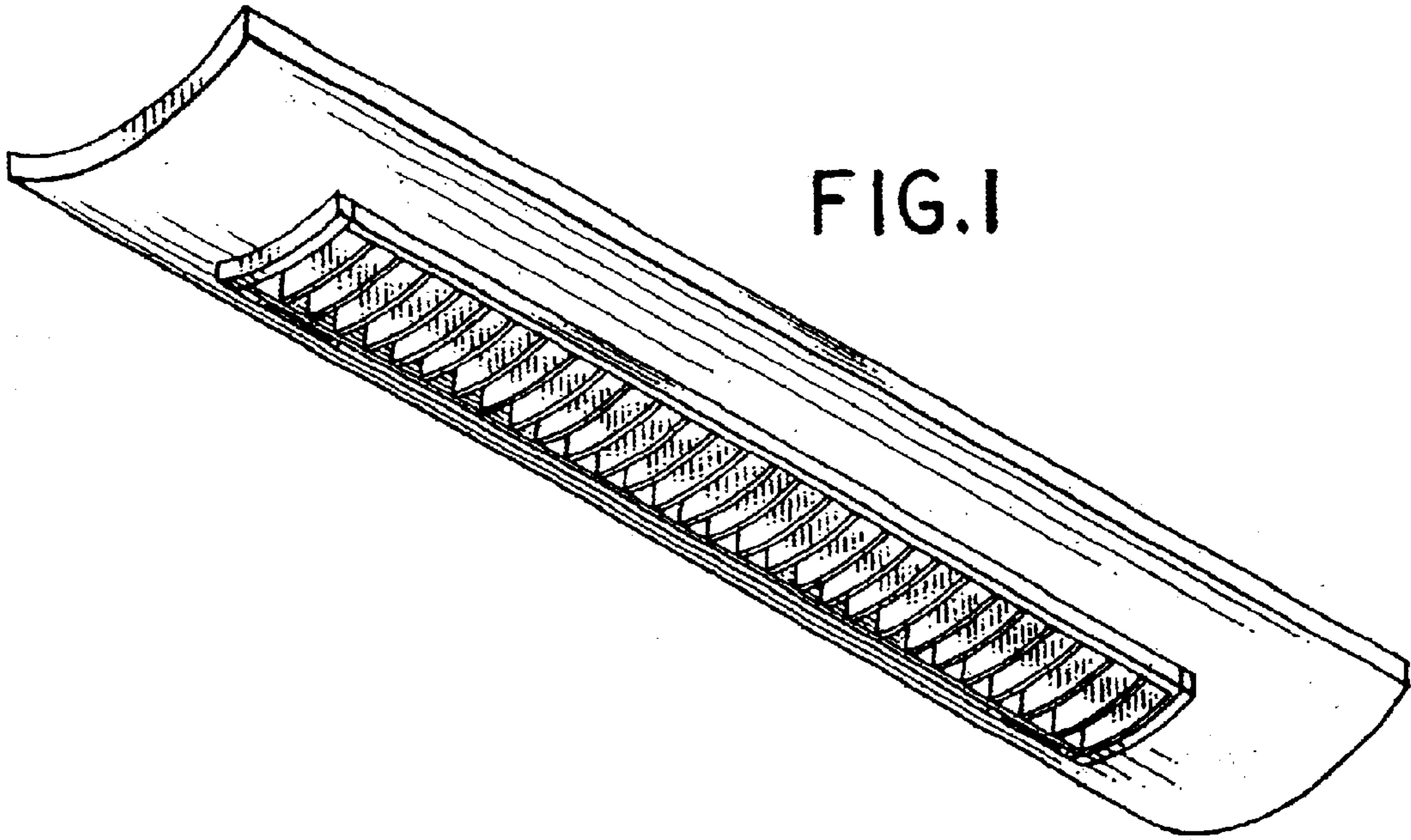


FIG. 1

FIG. 2

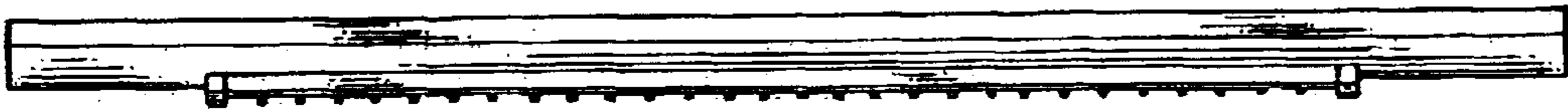


FIG. 3

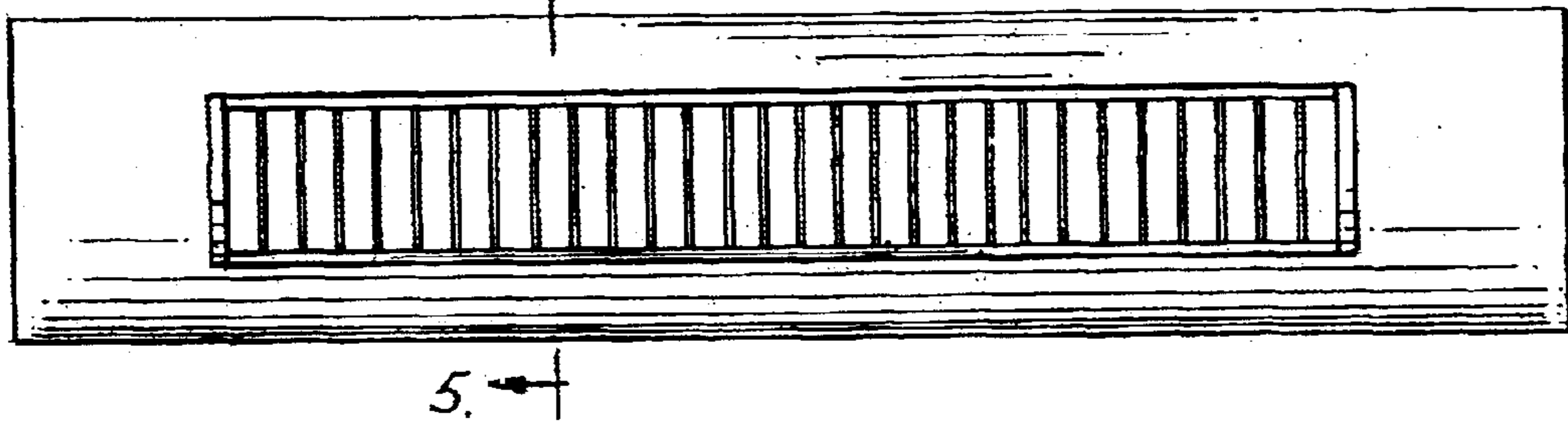


FIG. 4



FIG. 5

