



US00D481819S

(12) **United States Design Patent**
Cheong et al.

(10) **Patent No.:** **US D481,819 S**

(45) **Date of Patent:** **** Nov. 4, 2003**

(54) **SOLAR POWERED OUTDOOR LIGHT**

(75) Inventors: **Ellis Hon Siu Cheong**, Shunshine (HK); **Gary Mazurek**, Plano, TX (US)

(73) Assignee: **The Brinkmann Corporation**, Dallas, TX (US)

(**) Term: **14 Years**

(21) Appl. No.: **29/165,237**

(22) Filed: **Aug. 6, 2002**

(51) **LOC (7) Cl.** **26-05**

(52) **U.S. Cl.** **D26/72; D26/67**

(58) **Field of Search** D26/67-72, 88, D26/89; 362/153, 153.1, 159, 209, 266, 267, 269, 273, 363, 431, 432, 805

(56) **References Cited**

U.S. PATENT DOCUMENTS

D72,714 S	*	5/1927	Lipschutz	D26/87
D178,282 S	*	7/1956	De Runtz	D26/67
D208,101 S	*	7/1967	Koziol	D26/67
D208,663 S	*	9/1967	Daum	D26/67
D338,978 S	*	8/1993	Ewing et al.	D26/67

D427,352 S	*	6/2000	Miranda	D26/72
D445,939 S	*	7/2001	Pan	D26/72
D461,921 S	*	8/2002	Ellis	D26/67

* cited by examiner

Primary Examiner—Clare E. Heflin

(74) *Attorney, Agent, or Firm*—Sheppard, Mullin, Richter & Hampton LLP

(57) **CLAIM**

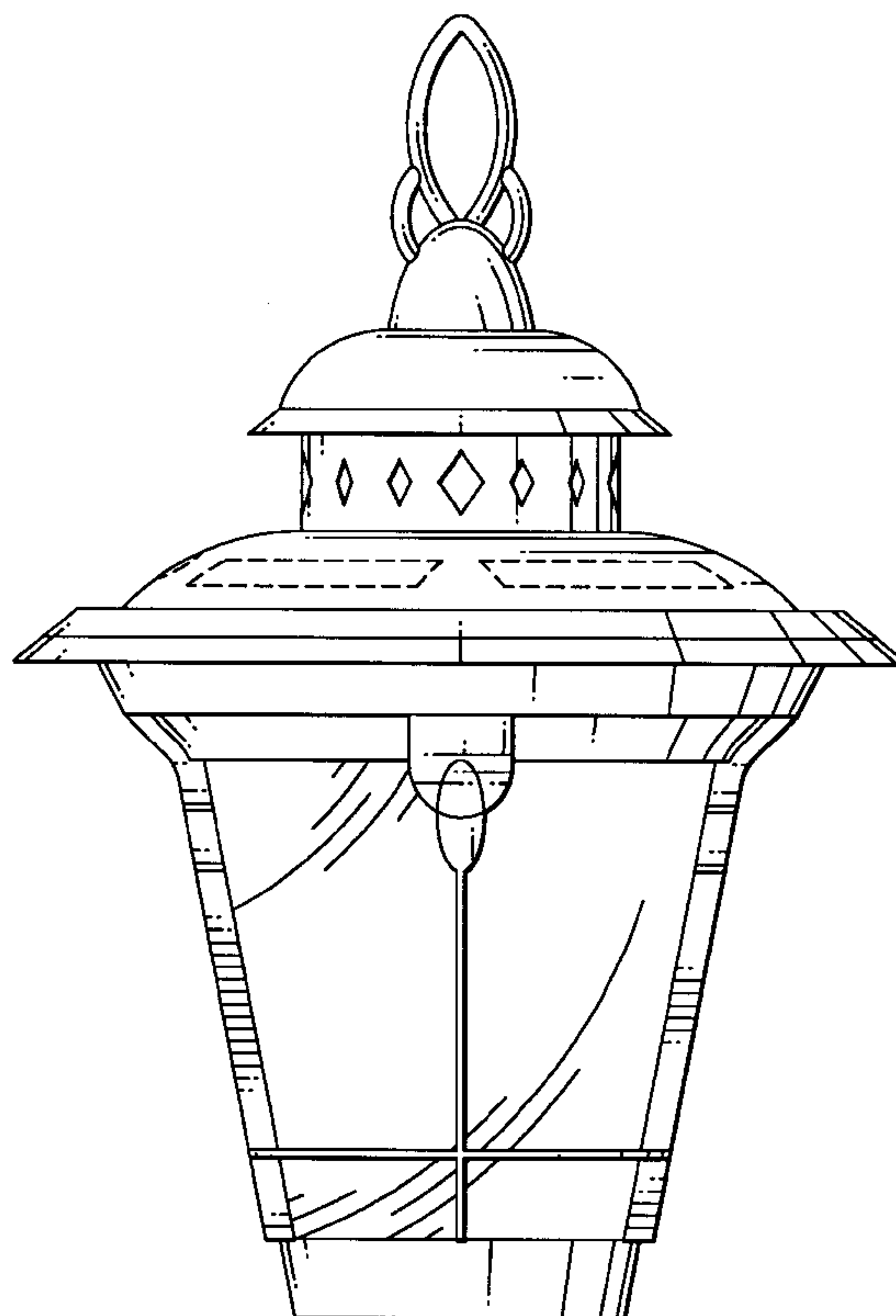
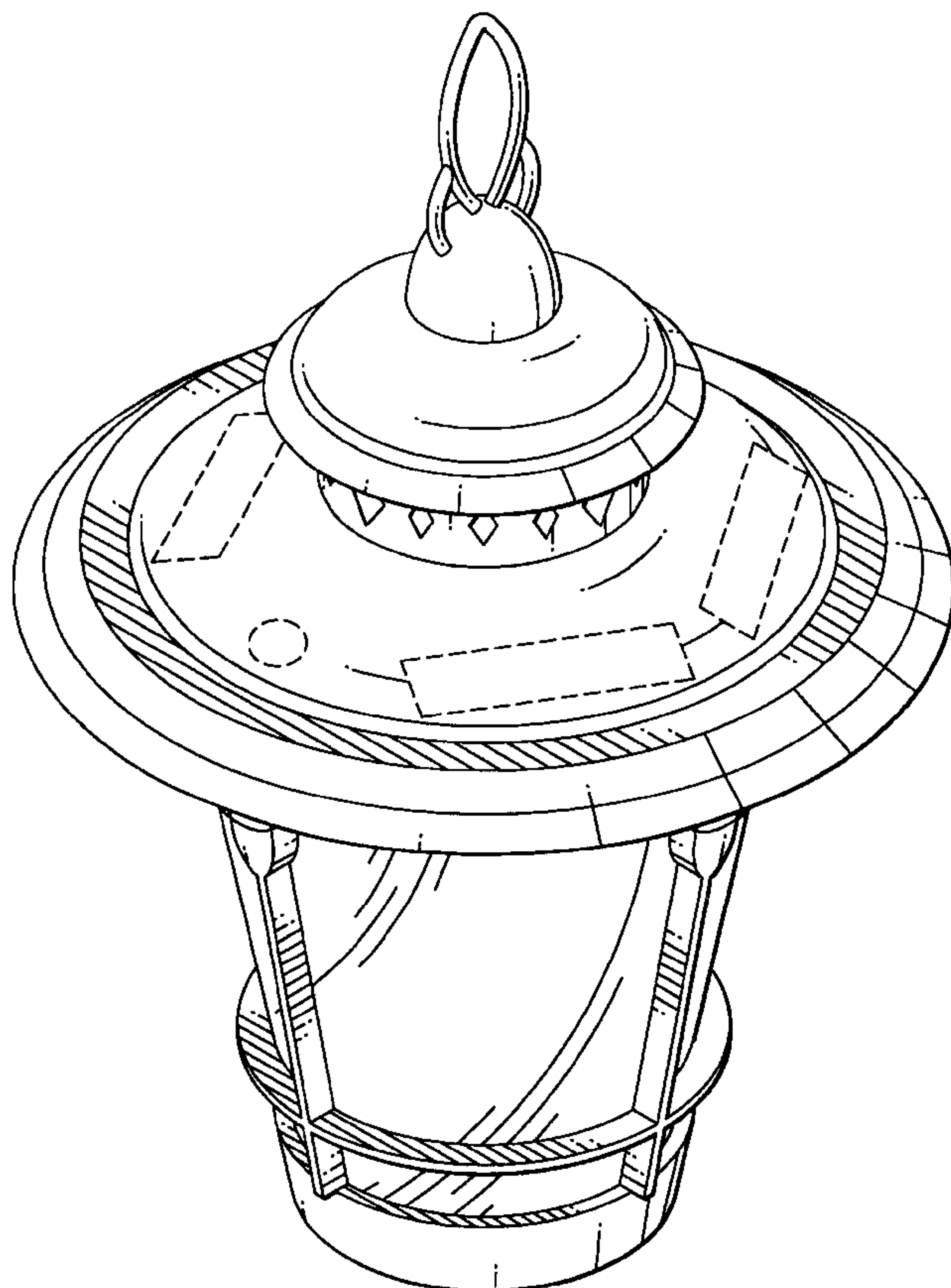
We claim the ornamental design for a solar powered outdoor light, as shown and described.

DESCRIPTION

FIG. 1 is a perspective view of a solar powered outdoor light showing the new design; FIG. 2 is a front elevational view thereof; FIG. 3 is a left side elevational view thereof; FIG. 4 is a rear elevational view thereof; FIG. 5 is a right side elevational view thereof; FIG. 6 is a top plan view thereof; and, FIG. 7 is bottom plan view thereof.

The dotted lines are for illustrative purposes only and form no part of the claimed design.

1 Claim, 7 Drawing Sheets



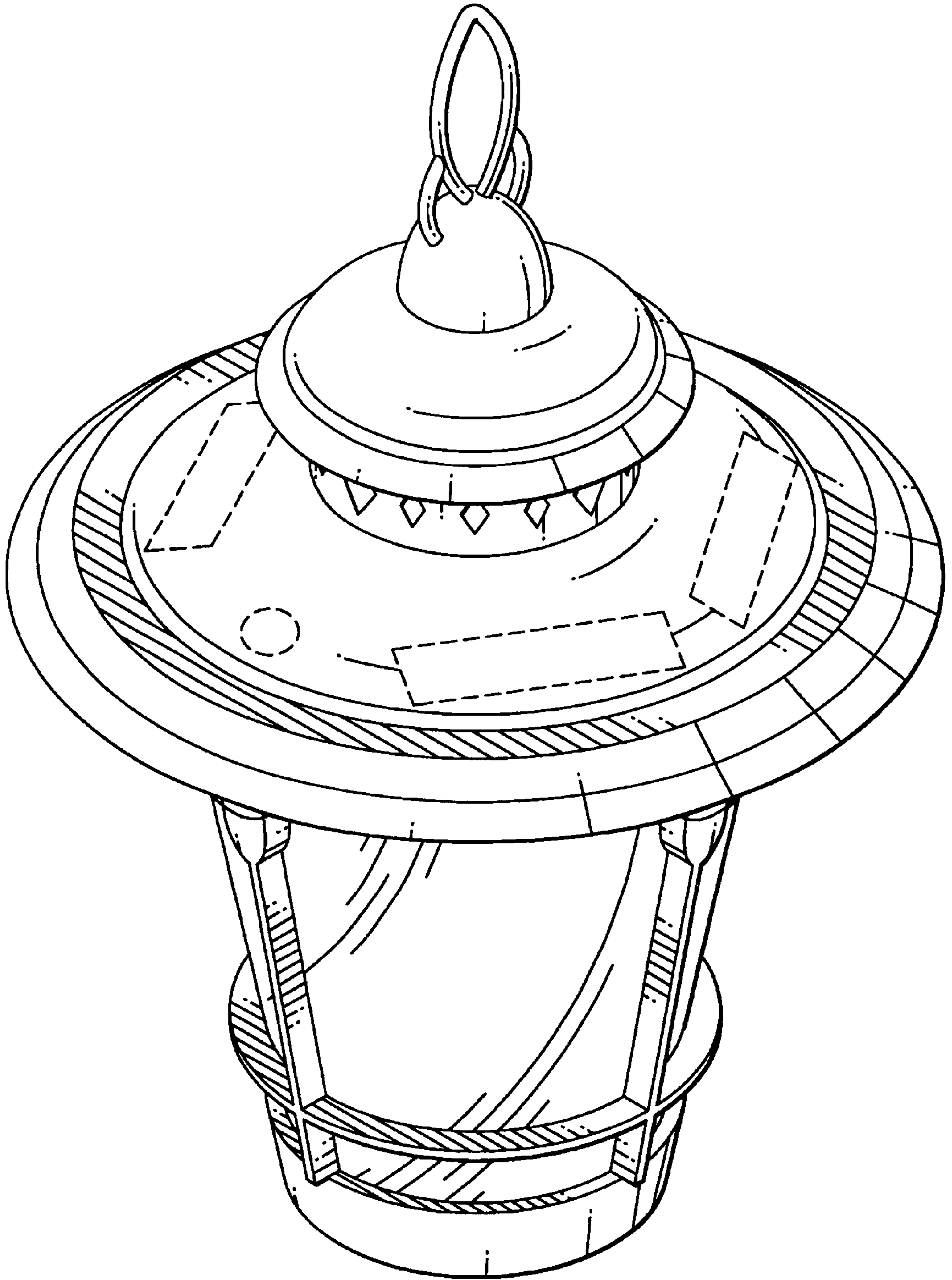


FIG. 1

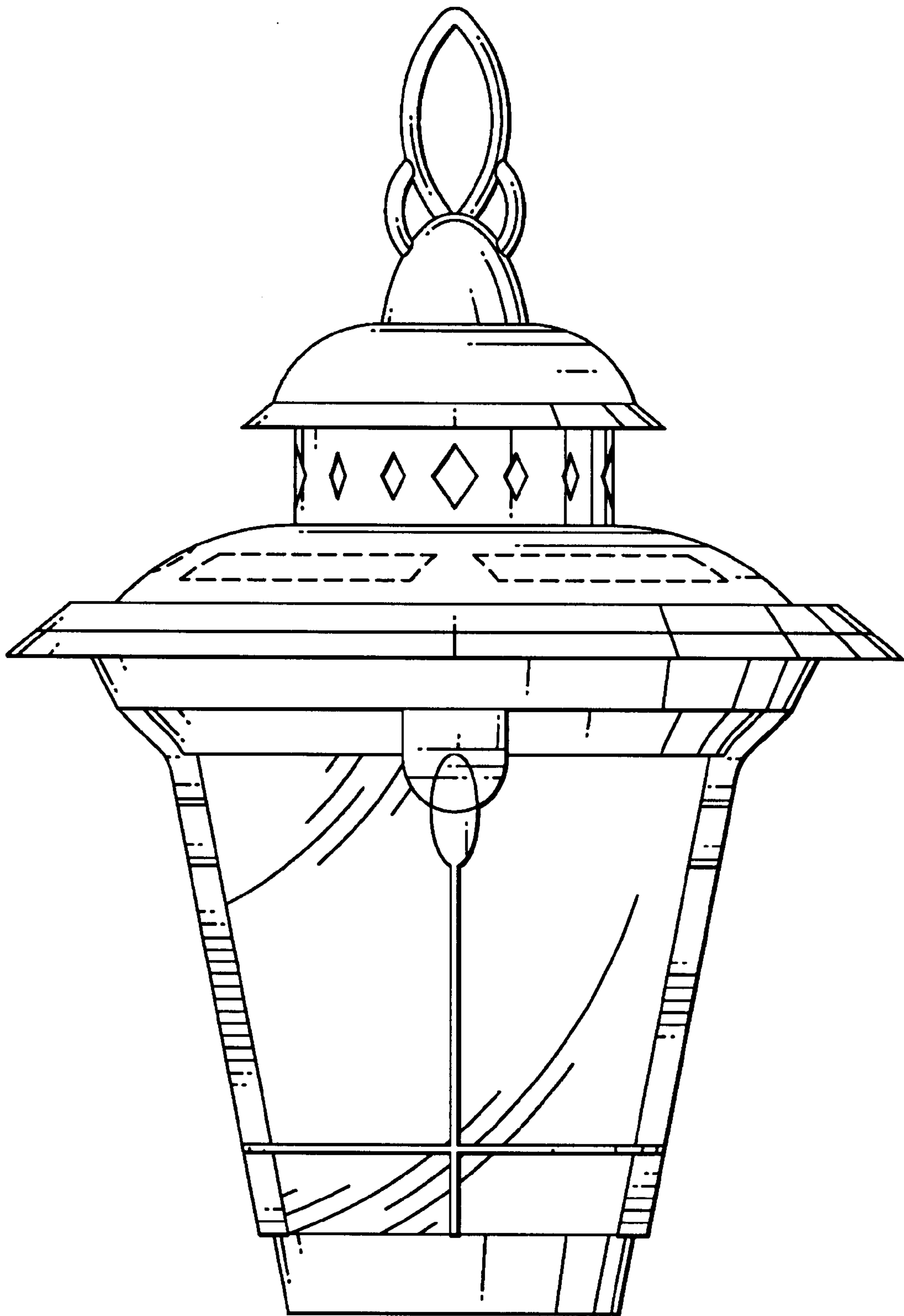


FIG. 2

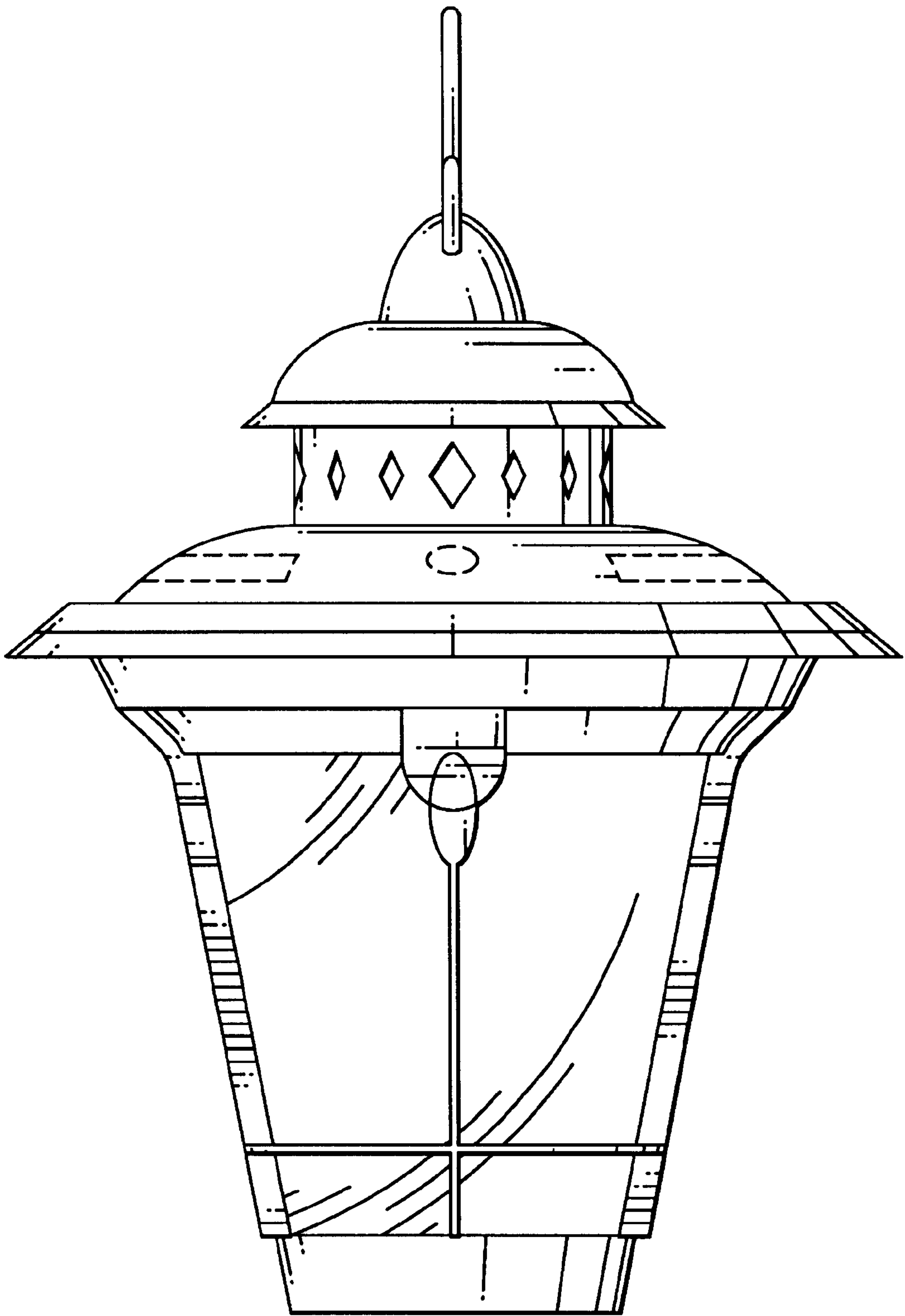


FIG. 3

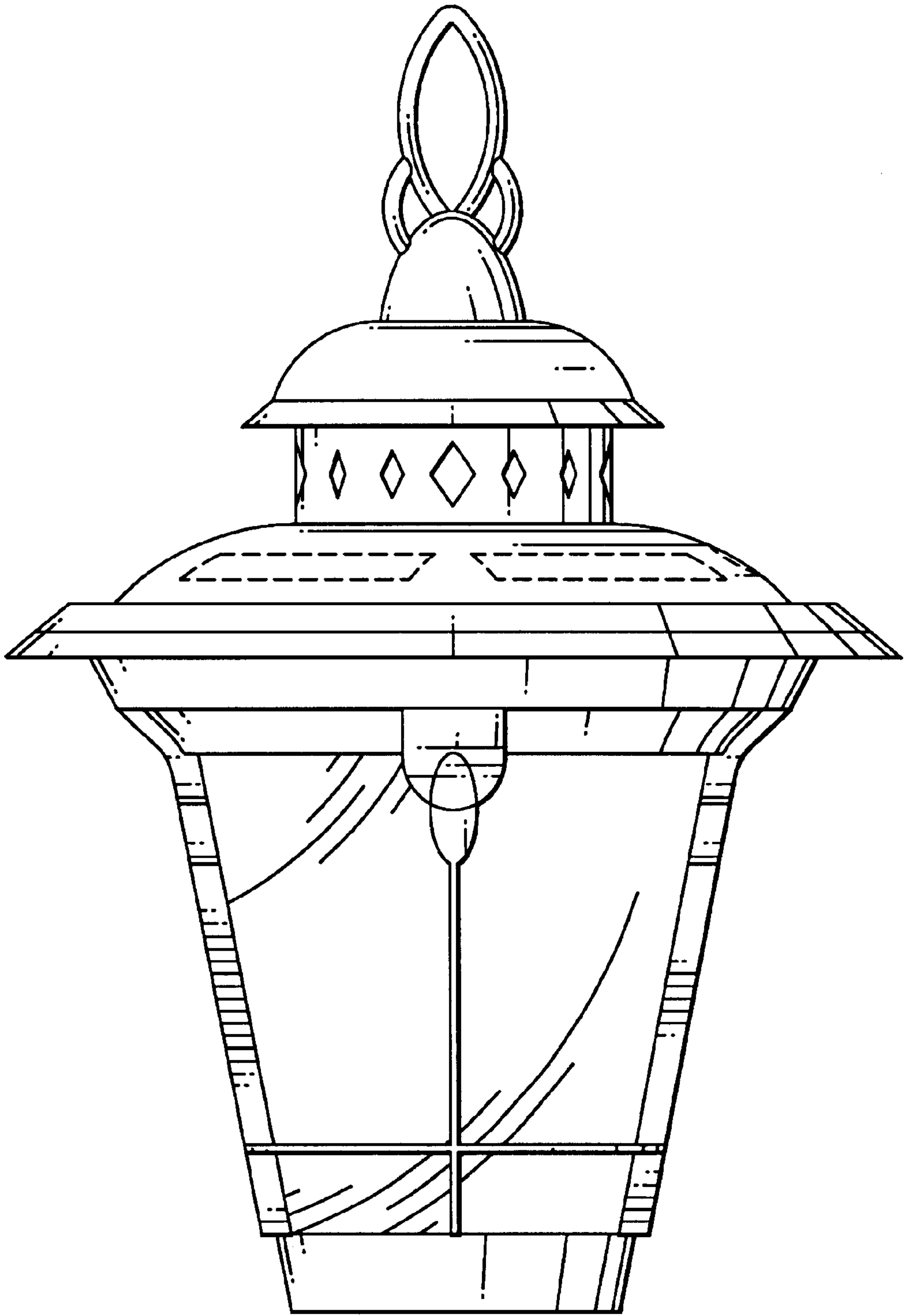


FIG. 4

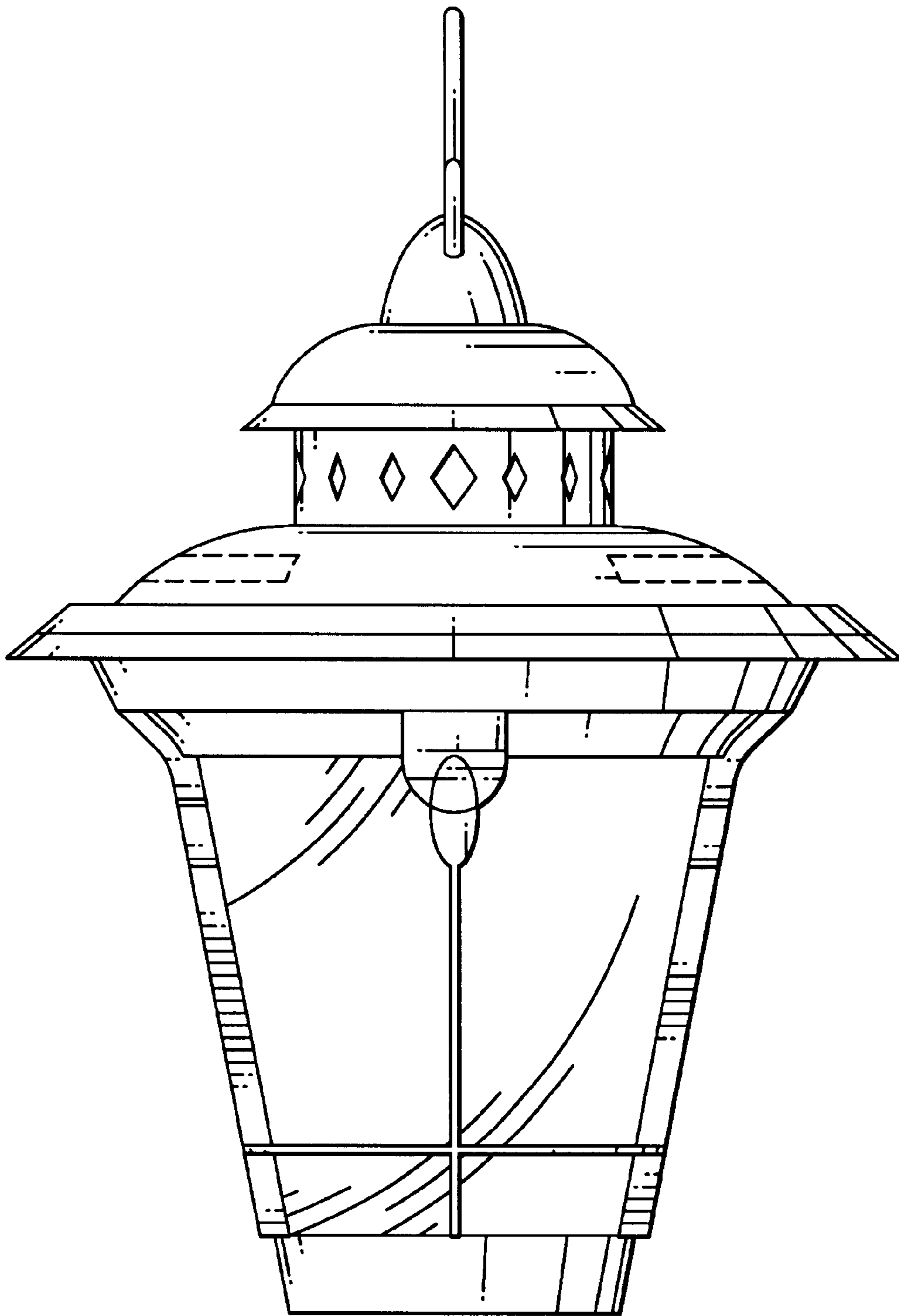


FIG. 5

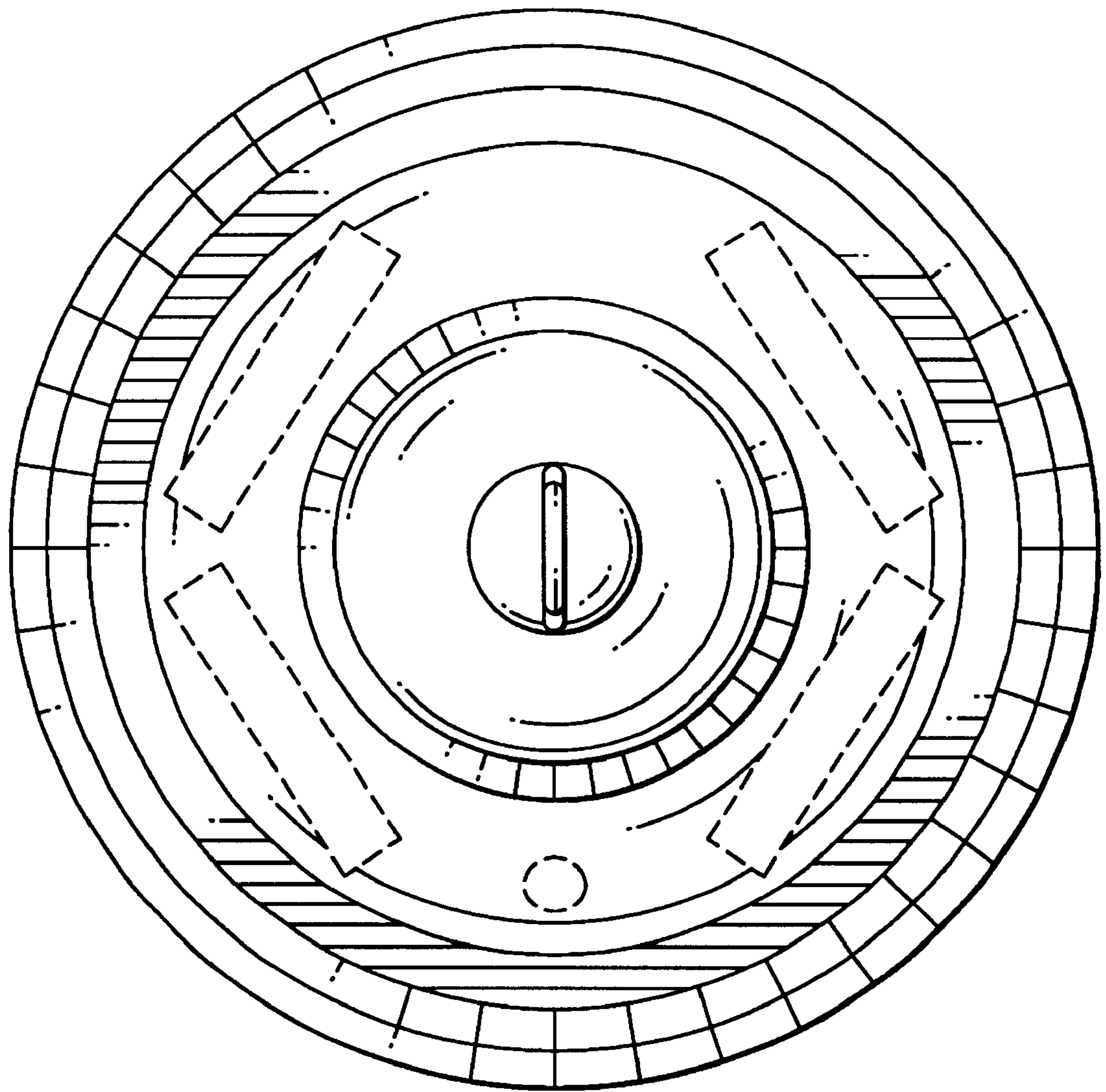


FIG. 6

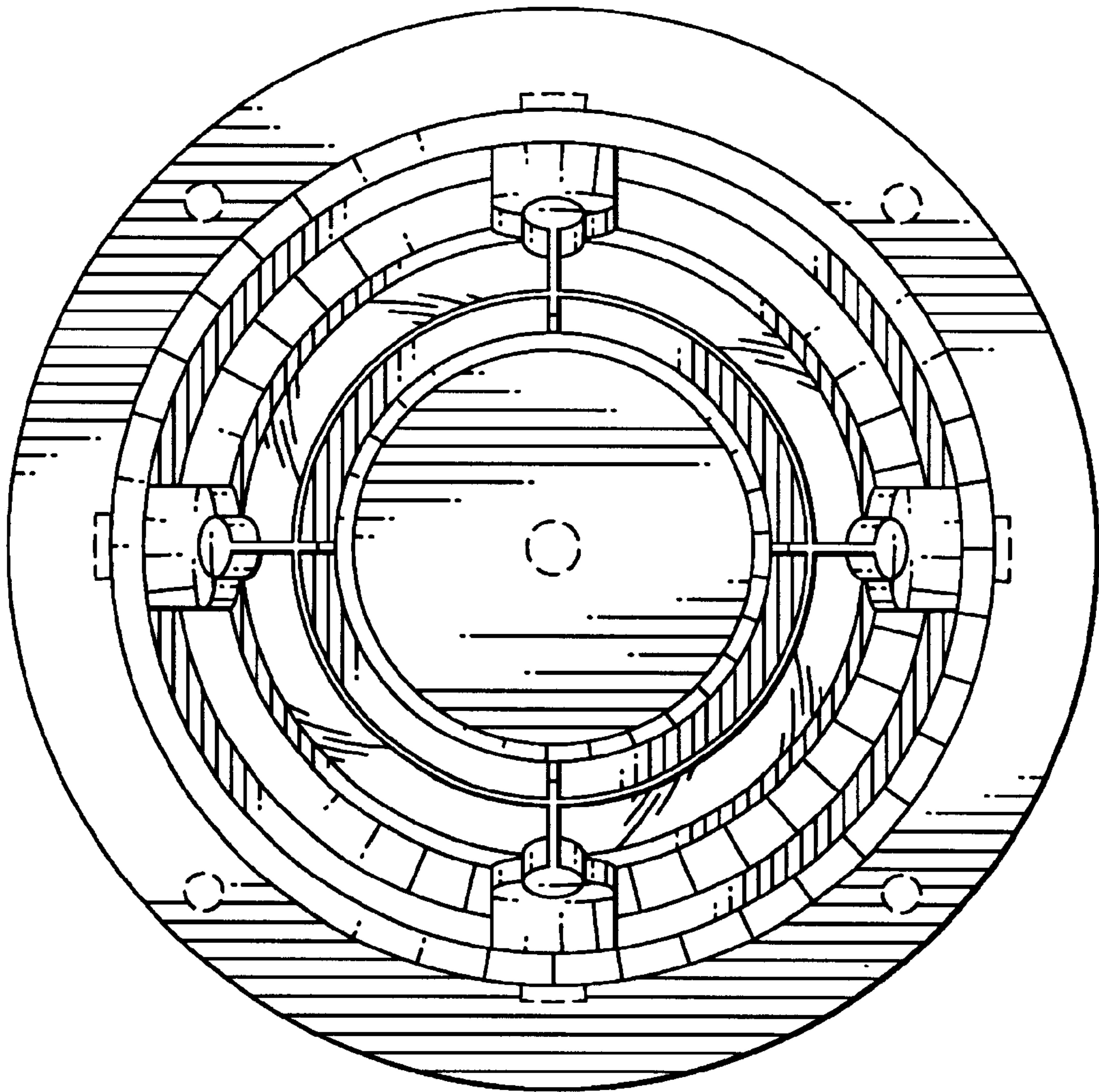


FIG. 7