



US00D481818S

(12) **United States Design Patent**
Mah

(10) **Patent No.:** **US D481,818 S**

(45) **Date of Patent:** **** Nov. 4, 2003**

(54) **FLASHLIGHT**

(76) **Inventor:** **Pat Y. Mah**, 8C Leroy Plaza, 15
Cheung Shun Street, Cheung Sha Wan,
Kowloon, Hong Kong (CN)

(**) **Term:** **14 Years**

(21) **Appl. No.:** **29/176,949**

(22) **Filed:** **Feb. 28, 2003**

(51) **LOC (7) Cl.** **26-02**

(52) **U.S. Cl.** **D26/49**

(58) **Field of Search** D26/37-50; 362/157,
362/158, 171, 172, 173, 183-208

(56) **References Cited**

U.S. PATENT DOCUMENTS

D419,254 S * 1/2000 Chiu D26/49
D473,961 S * 4/2003 Galli D26/49

* cited by examiner

Primary Examiner—Marcus A. Jackson

(74) *Attorney, Agent, or Firm*—Curtis L. Harrington

(57) **CLAIM**

The ornamental design for an flashlight, as shown and described.

DESCRIPTION

FIG. 1 is a perspective view of the flashlight;

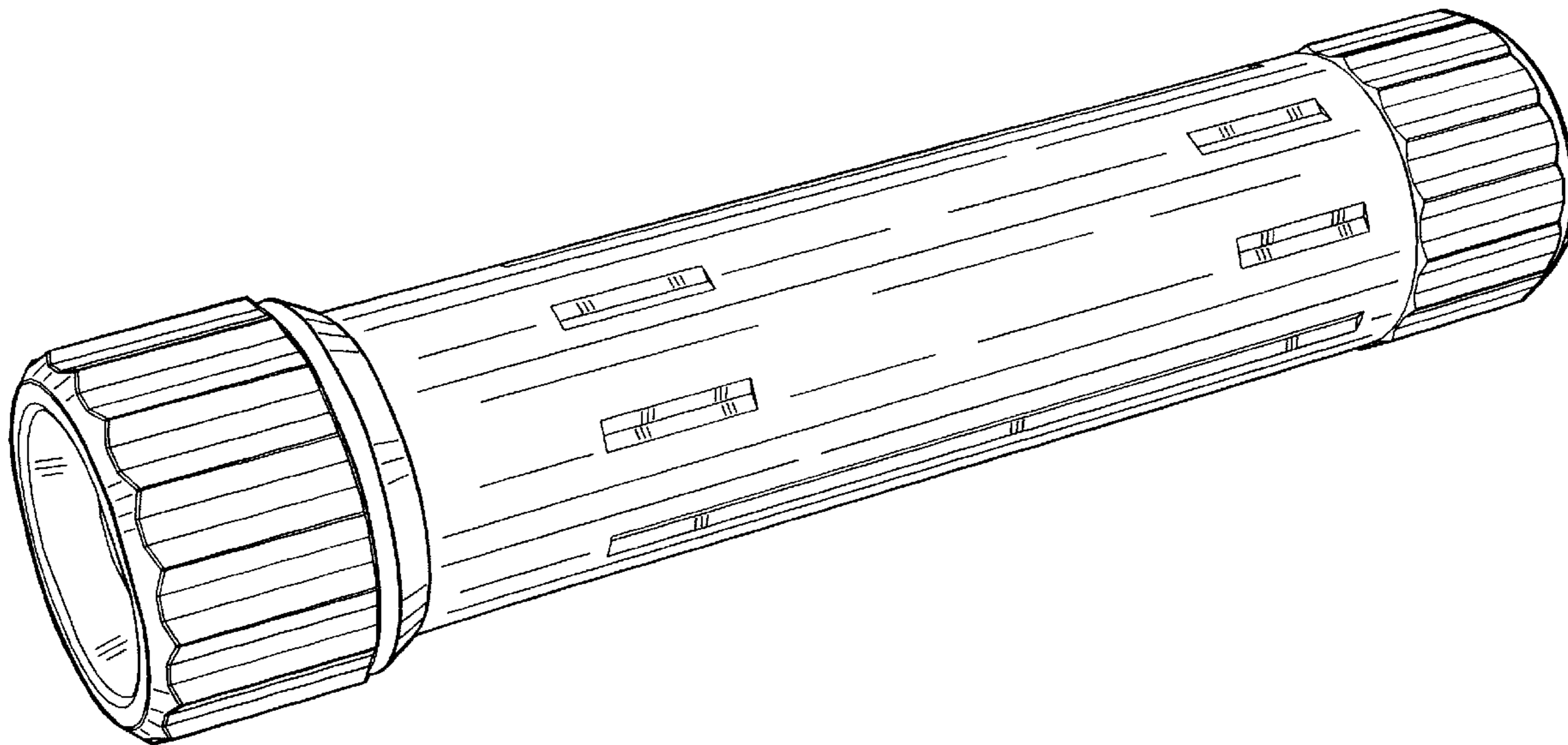
FIG. 2 is a top view, the bottom view being a mirror image of the top view;

FIG. 3 is a left side view, the right side view being a mirror image of the left side view;

FIG. 4 is a front end view; and,

FIG. 5 is a rear end view.

1 Claim, 2 Drawing Sheets



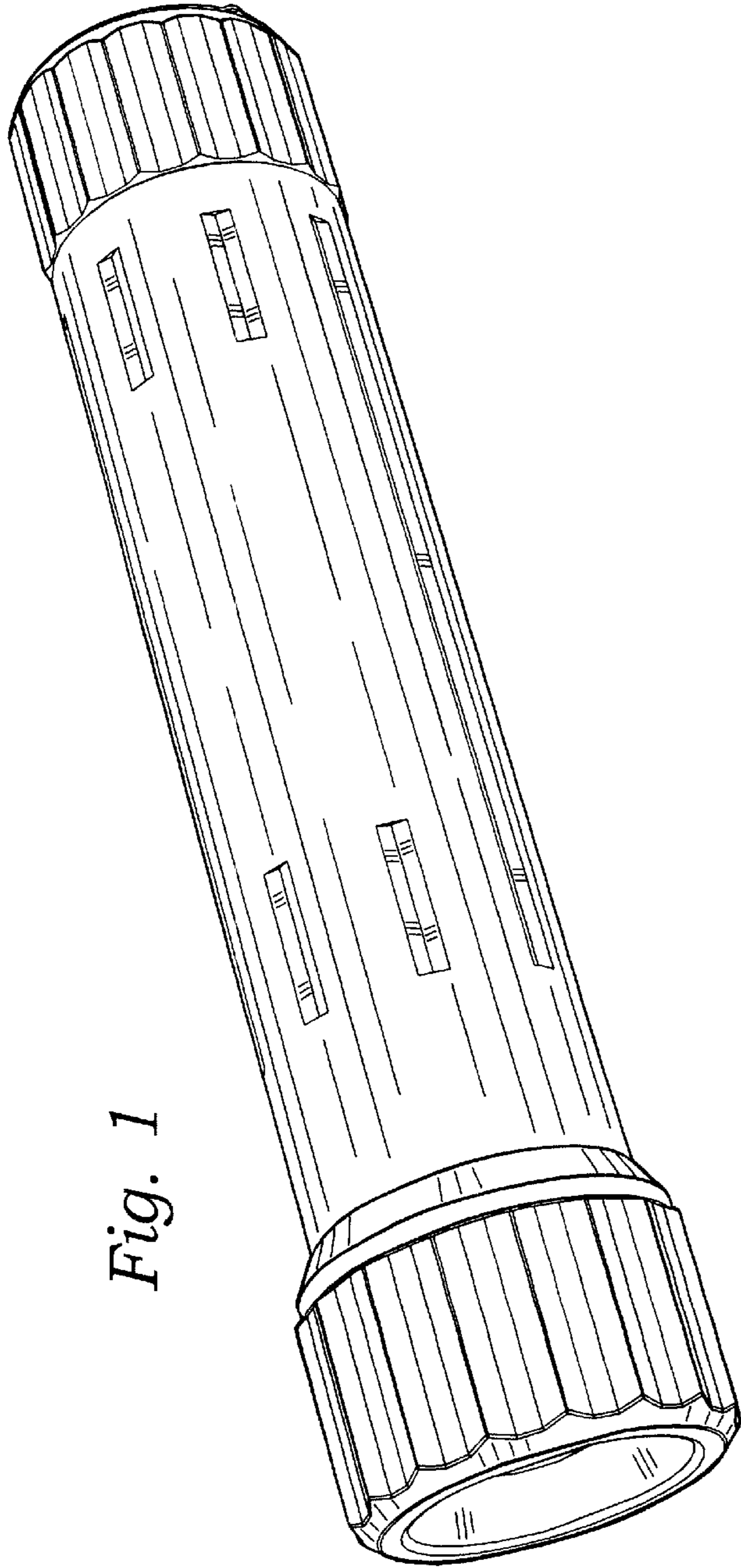


Fig. 1

Fig. 5

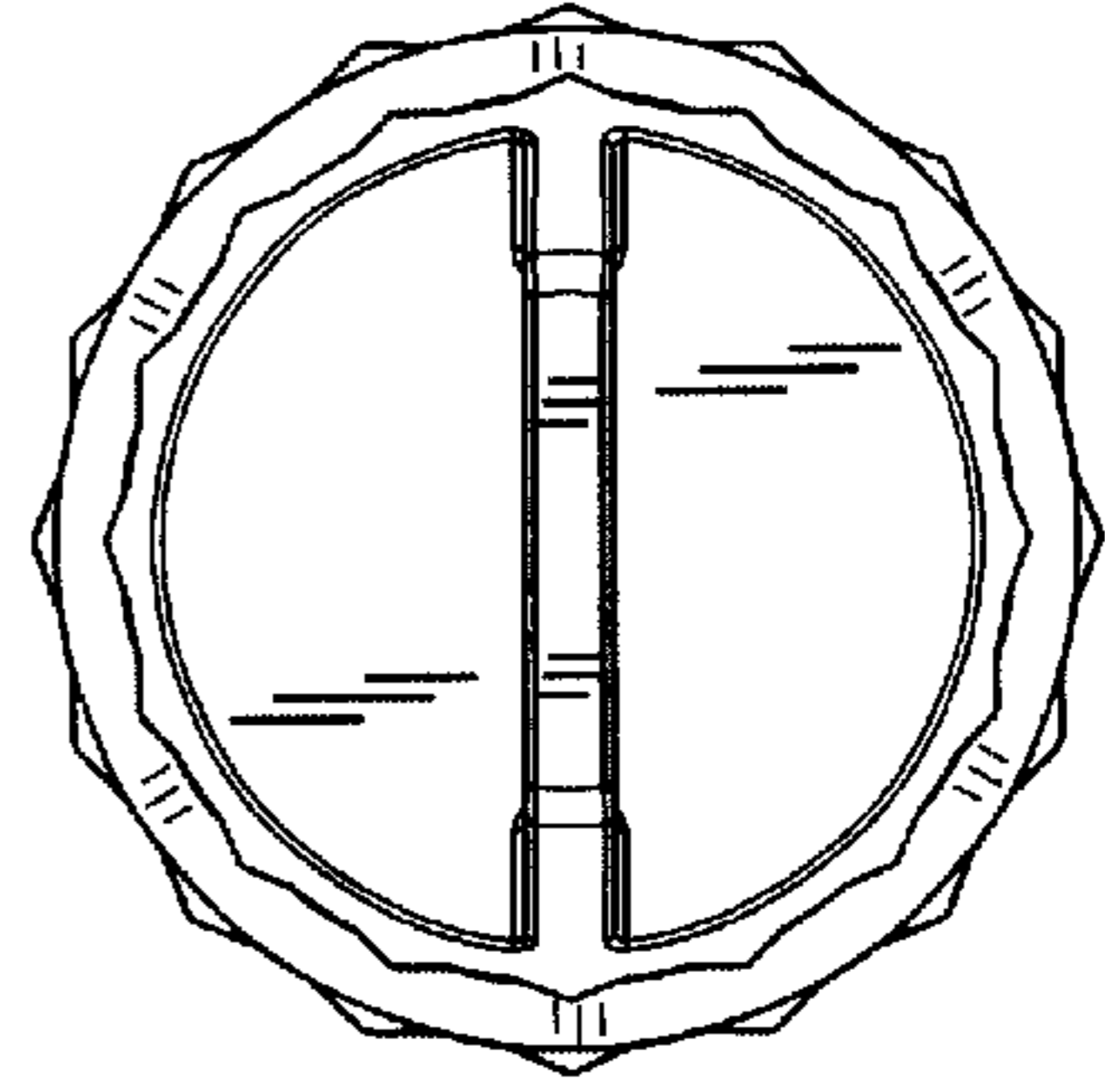


Fig. 4

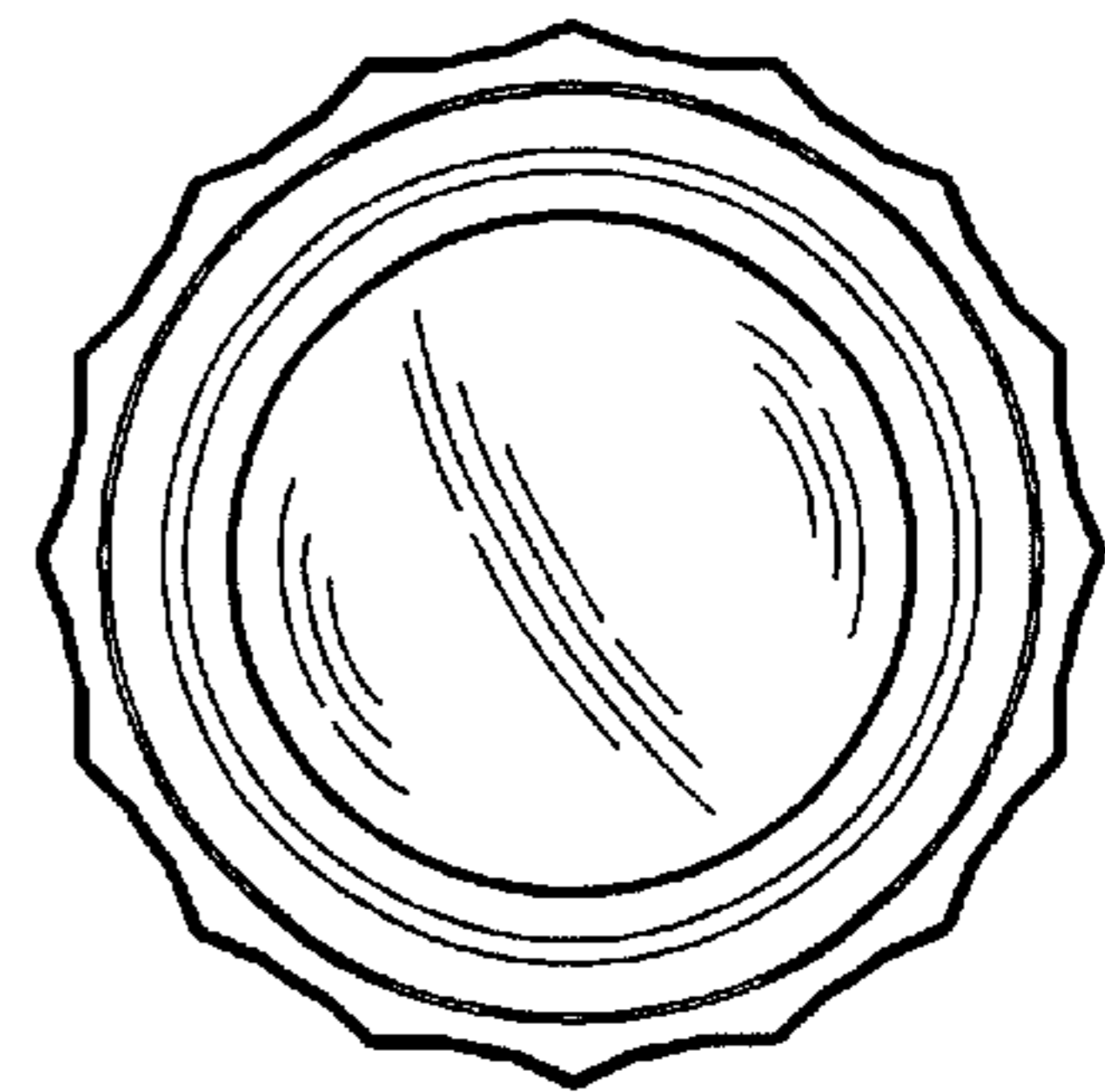


Fig. 2

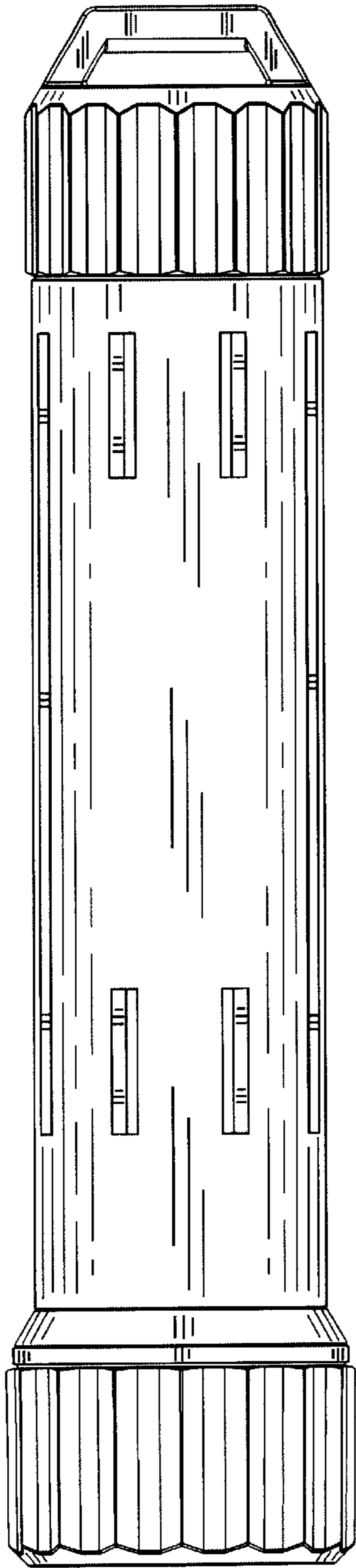


Fig. 3

