



US00D481816S

(12) **United States Design Patent**
Sharrah et al.

(10) **Patent No.:** **US D481,816 S**

(45) **Date of Patent:** **** Nov. 4, 2003**

(54) **LIGHT**

(75) **Inventors:** **Raymond L Sharrah**, Collegeville Borough, PA (US); **Robert A. Kline**, Douglasville, PA (US); **Charles W. Craft**, Lansdale, PA (US)

(73) **Assignee:** **Streamlight, Incorporated**, Eagleville, PA (US)

(**) **Term:** **14 Years**

(21) **Appl. No.:** **29/173,622**

(22) **Filed:** **Jan. 2, 2003**

(51) **LOC (7) Cl.** **26-02**

(52) **U.S. Cl.** **D26/49**

(58) **Field of Search** D26/37-50; 362/157, 362/158, 171, 172, 173, 183-208

(56) **References Cited**

U.S. PATENT DOCUMENTS

1,487,983	A	3/1924	Stiriss	
1,696,266	A	12/1928	Coote	
1,769,241	A	7/1930	Stephani	
1,919,024	A	7/1933	Abbotts	
2,408,601	A	10/1946	Blauvelt	
3,590,235	A	6/1971	Leo et al.	
4,327,401	A	4/1982	Siiberg	
4,609,976	A	9/1986	Geissler	
4,620,534	A	11/1986	Zartman	
4,704,663	A	11/1987	Ohashi	
4,737,894	A	4/1988	Kuch et al.	
5,345,370	A	9/1994	Murray et al.	
5,406,735	A	4/1995	Howell	
5,422,798	A	6/1995	Osiecki et al.	
5,446,633	A	8/1995	Hanggi	
5,586,976	A	12/1996	Coutoumanos	
D435,922	S	* 1/2001	Shing	D26/49
D442,307	S	* 5/2001	Parker	D26/49
D450,873	S	* 11/2001	Opolka	D26/49
D468,850	S	* 1/2003	Sharrah et al.	D26/49

OTHER PUBLICATIONS

Streamlight, Inc., Streamlight Products, [Http://www.streamlight.com/products.html](http://www.streamlight.com/products.html), 1-Page, prior to Jan. 2, 2003.
Streamlight, Inc., Stinger Series Specifications, http://www.streamlight.com/stinger-series_specifications.html, 3-Pages, prior to Jan. 2, 2003.

Streamlight, Inc., SL Series Specifications, http://www.streamlight.com/sl-series_specifications.html, 2-Pages, prior to Jan. 2, 2003.

Streamlight, Inc., Scorpion Specifications, http://www.streamlight.com/scorpion_specifications.html, 1-Page, prior to Jan. 2, 2003.

Streamlight, Inc., Streamlight Jr. Specifications, http://www.streamlight.com/sl_junior_specifications.html, 1-Page, prior to Jan. 2, 2003.

* cited by examiner

Primary Examiner—Marcus A. Jackson

(74) *Attorney, Agent, or Firm*—Dann, Dorfman, Herrell & Skillman, P.C.

(57) **CLAIM**

The ornamental design for a light, as shown and described.

DESCRIPTION

FIG. 1 is a side view of an embodiment of an ornamental design for a light according to the present invention;

FIG. 2 is a second side view of the embodiment of an ornamental design for a light shown in FIG. 1;

FIG. 3 is a third side view of the embodiment of an ornamental design for a light shown in FIGS. 1 and 2;

FIG. 4 and 5 are end views of respective first and second ends of the embodiment of an ornamental design for a light shown in FIGS. 1, 2 and 3;

FIG. 6 is a side view of an embodiment of an ornamental design for a light according to the present invention;

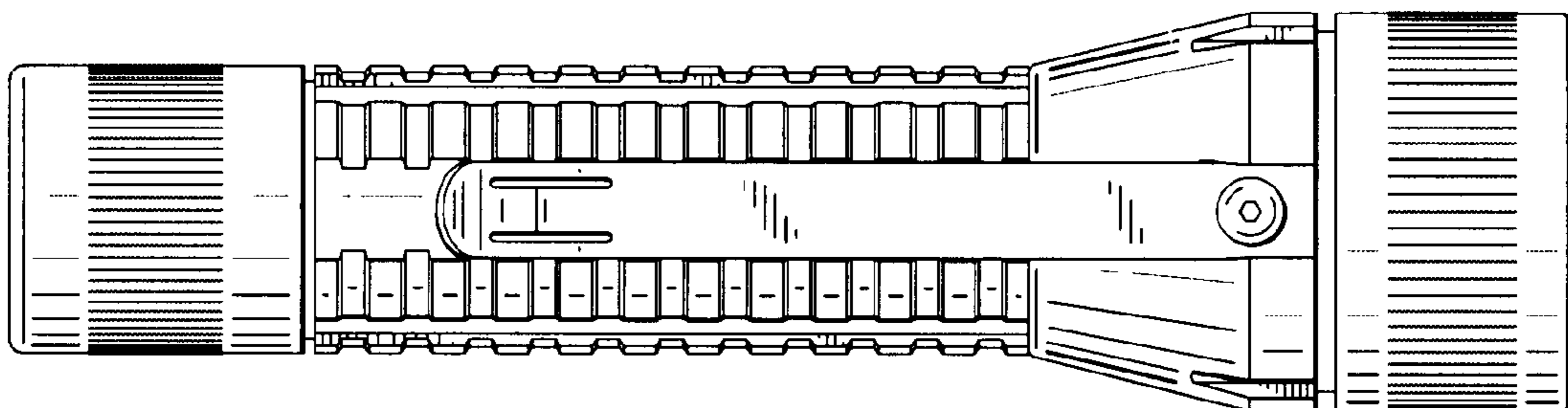
FIG. 7 is a second side view of the embodiment of an ornamental design for a light shown in FIG. 6;

FIG. 8 is a third side view of the embodiment of an ornamental design for a light shown in FIGS. 6 and 7; and,

FIGS. 9 and 10 are end views of respective first and second ends of the embodiment of an ornamental design for a light shown in FIGS. 6, 7 and 8.

Broken lines in the illustrations of FIGS. 6-10 of the drawing indicates parts of the article that are not part of the design illustrated therein.

1 Claim, 4 Drawing Sheets



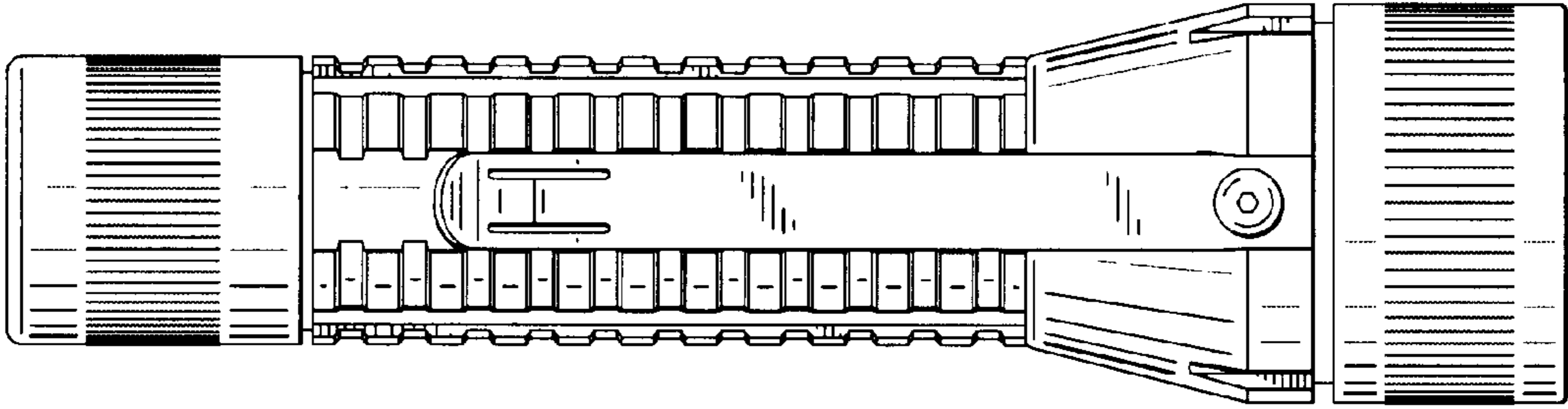


Fig. 1

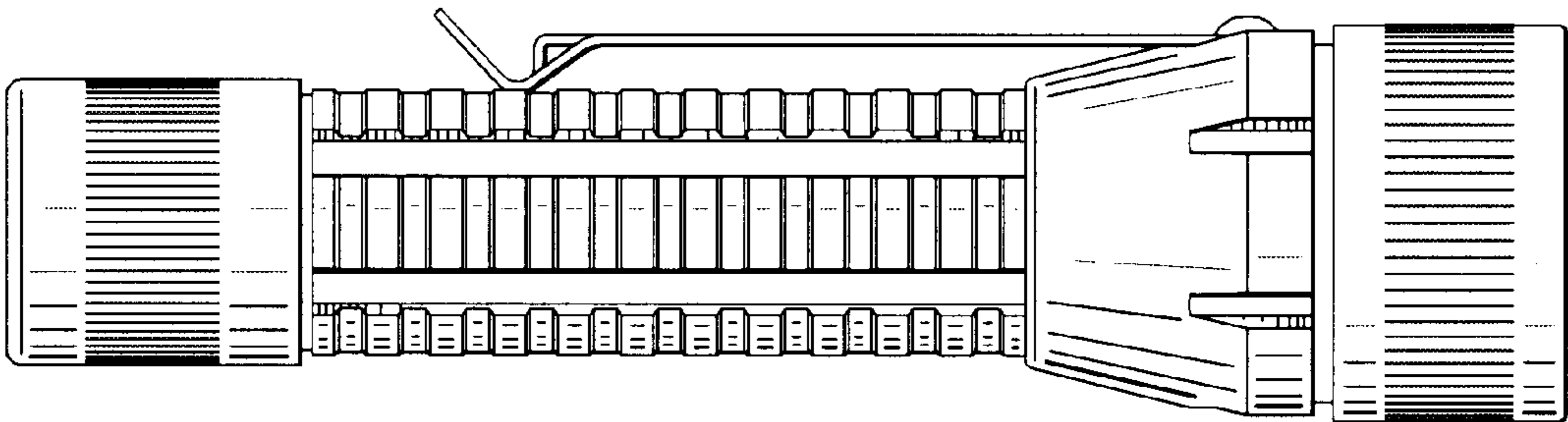


Fig. 2

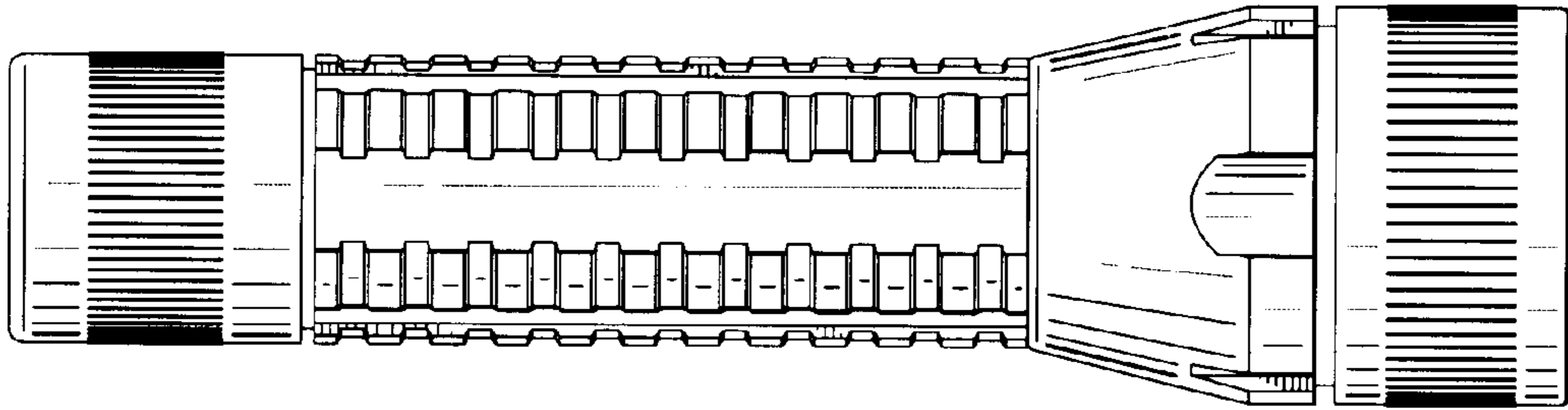


Fig. 3

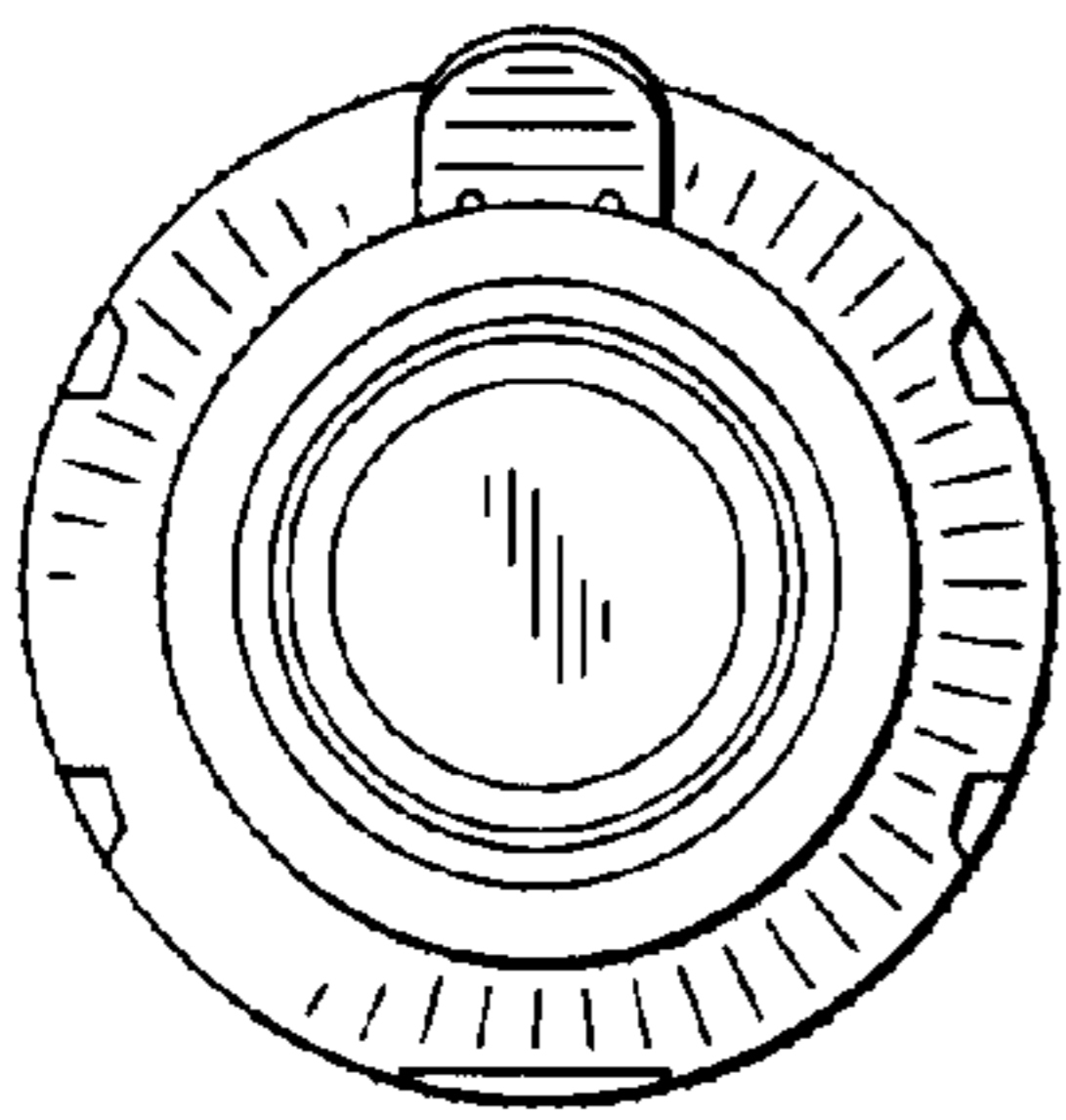


Fig. 5

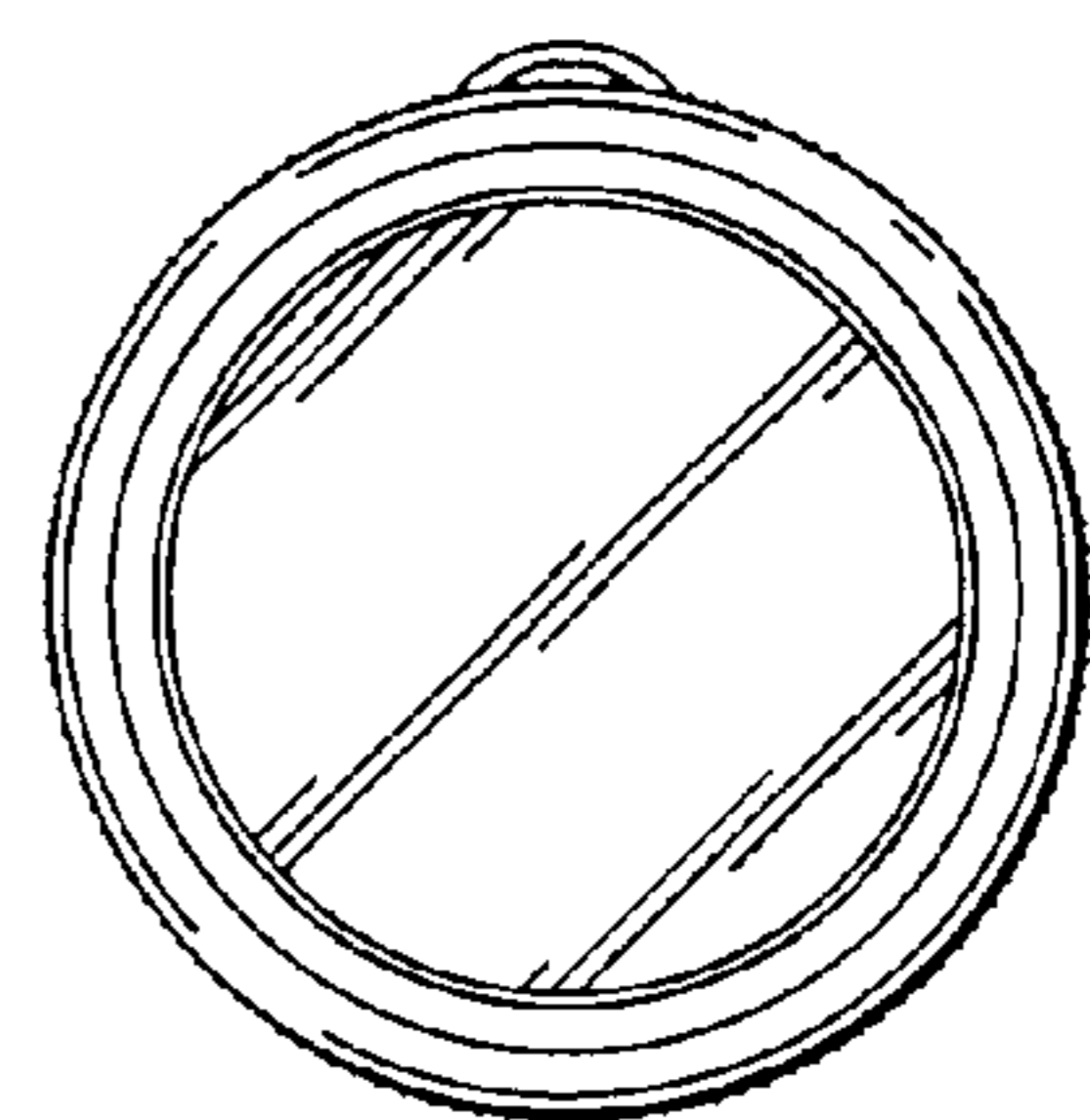


Fig. 4

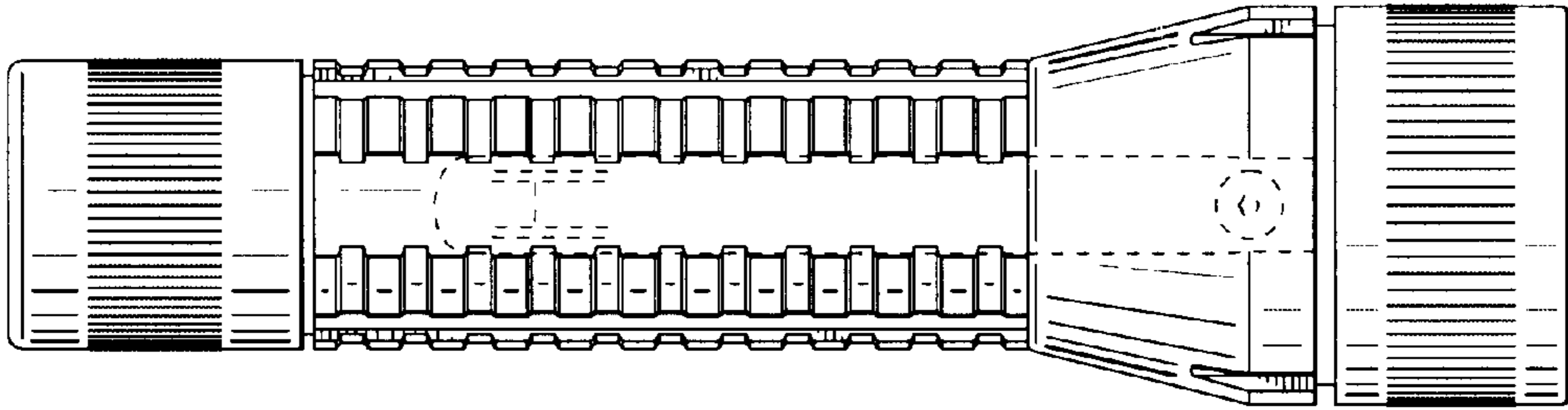


Fig. 6

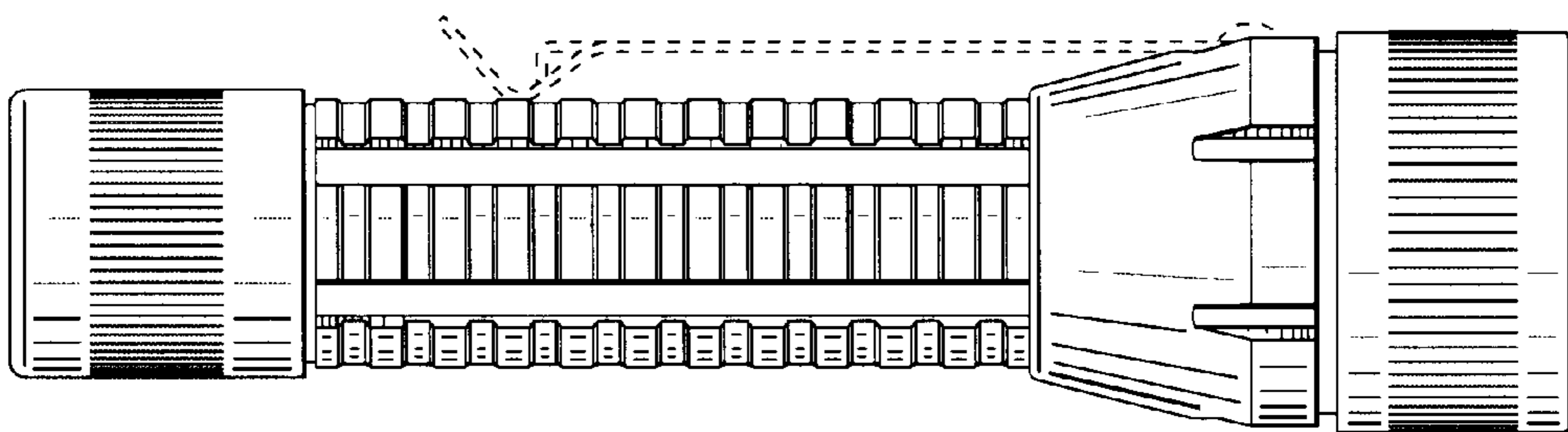


Fig. 7

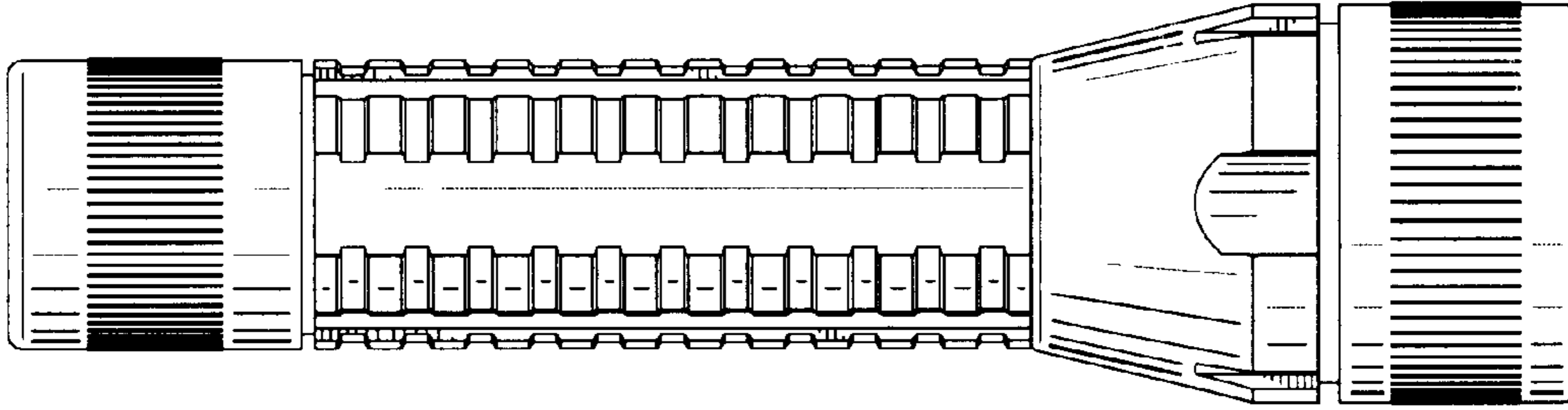


Fig. 8

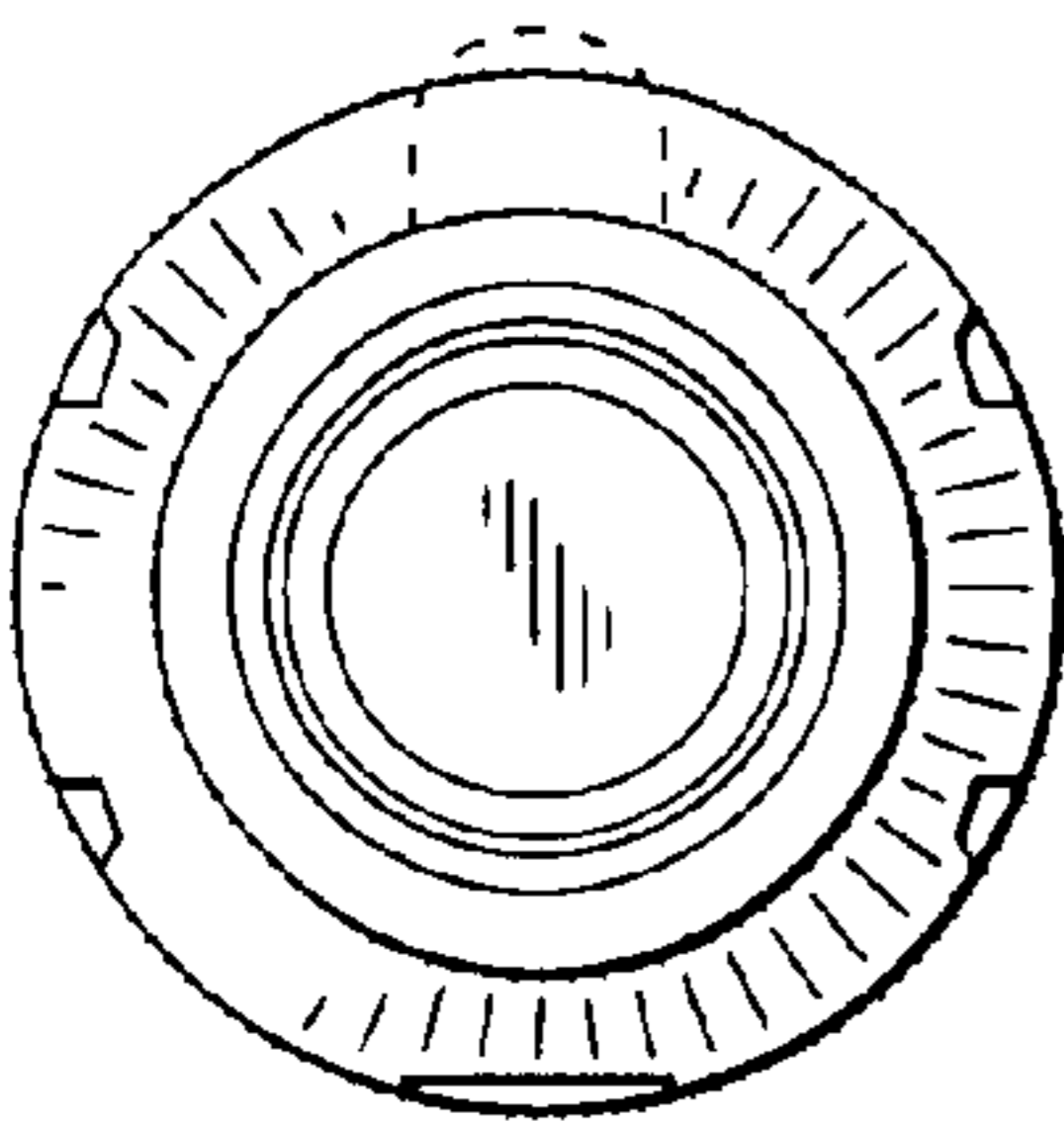


Fig. 10

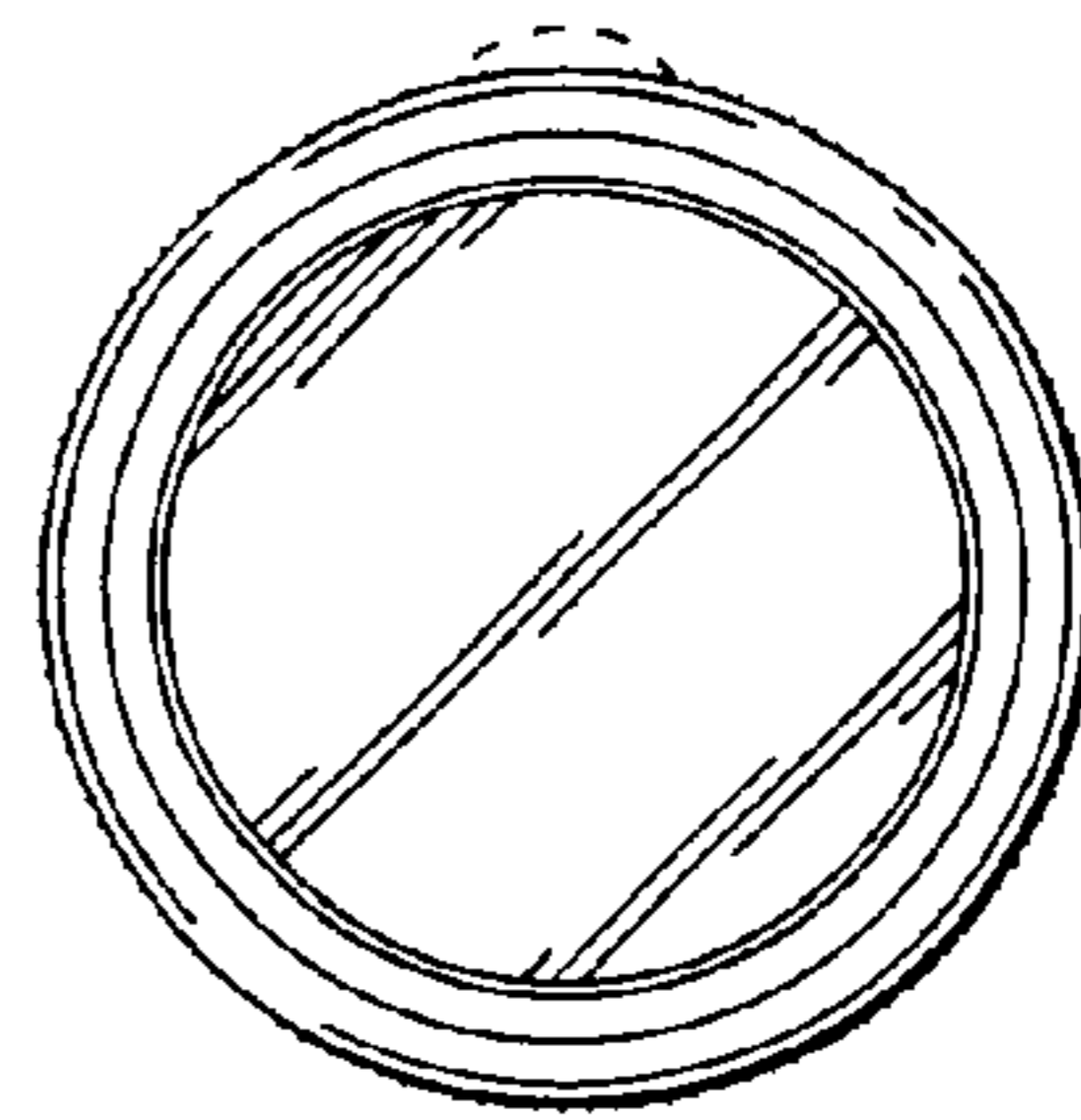


Fig. 9