



US00D481814S

(12) **United States Design Patent**
Krieger et al.

(10) **Patent No.:** **US D481,814 S**

(45) **Date of Patent:** **** Nov. 4, 2003**

(54) **SPOTLIGHT WITH SWIVEL HANDLE**

D466,637 S * 12/2002 Gisser D26/45

(75) Inventors: **Michael Krieger**, Miami Beach, FL
(US); **Kevin Ellsworth**, Hollywood, FL
(US)

* cited by examiner

Primary Examiner—Marcus A. Jackson
(74) *Attorney, Agent, or Firm*—Venable LLP; Robert
Kinberg

(73) Assignee: **Vector Products, Inc.**, Ft. Lauderdale,
FL (US)

(57) **CLAIM**

(**) Term: **14 Years**

The ornamental design for a spotlight with swivel handle, as
shown and described.

(21) Appl. No.: **29/172,436**

DESCRIPTION

(22) Filed: **Dec. 12, 2002**

(51) **LOC (7) Cl.** **26-02**

(52) **U.S. Cl.** **D26/45**

(58) **Field of Search** D26/37-50; 362/157,
362/158, 171, 172, 173, 183-208

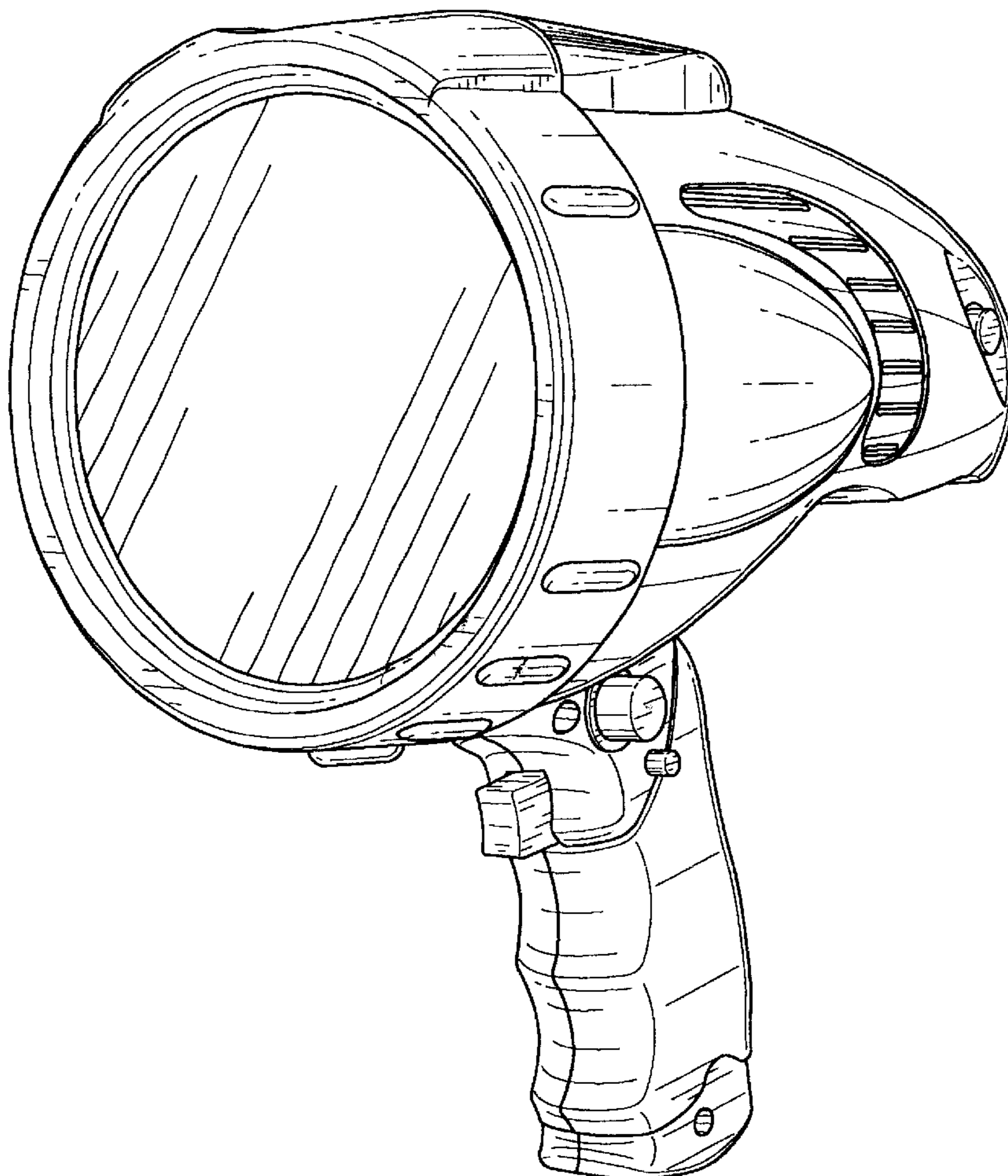
FIG. 1 is a perspective view from the front-right side of the
spotlight with swivel handle showing our new design;
FIG. 2 is a front view of the design shown in FIG. 1;
FIG. 3 is a rear view of the design shown in FIG. 1;
FIG. 4 is a left side view of the design shown in FIG. 1;
FIG. 5 is a right side view of the design shown in FIG. 1;
FIG. 6 is a top view of the design shown in FIG. 1;
FIG. 7 is a bottom view of the design shown in FIG. 1; and,
FIG. 8 is a perspective view of the design shown in FIG. 1
with the handle swiveled around 180 degrees.

(56) **References Cited**

U.S. PATENT DOCUMENTS

D434,513 S * 11/2000 Poon D26/45
D462,133 S * 8/2002 Krieger et al. D26/45
D462,470 S * 9/2002 Krieger et al. D26/45

1 Claim, 8 Drawing Sheets



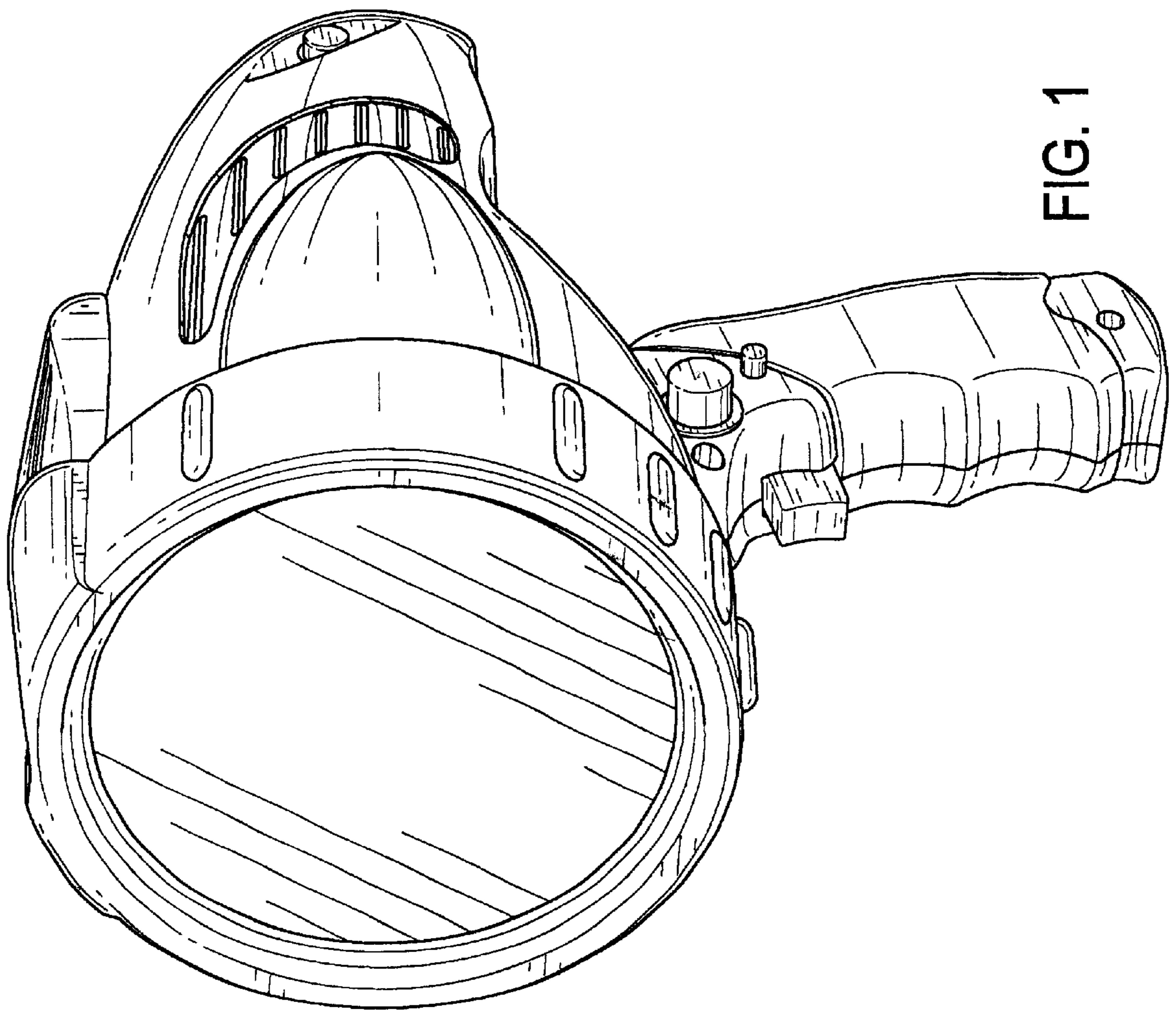


FIG. 1

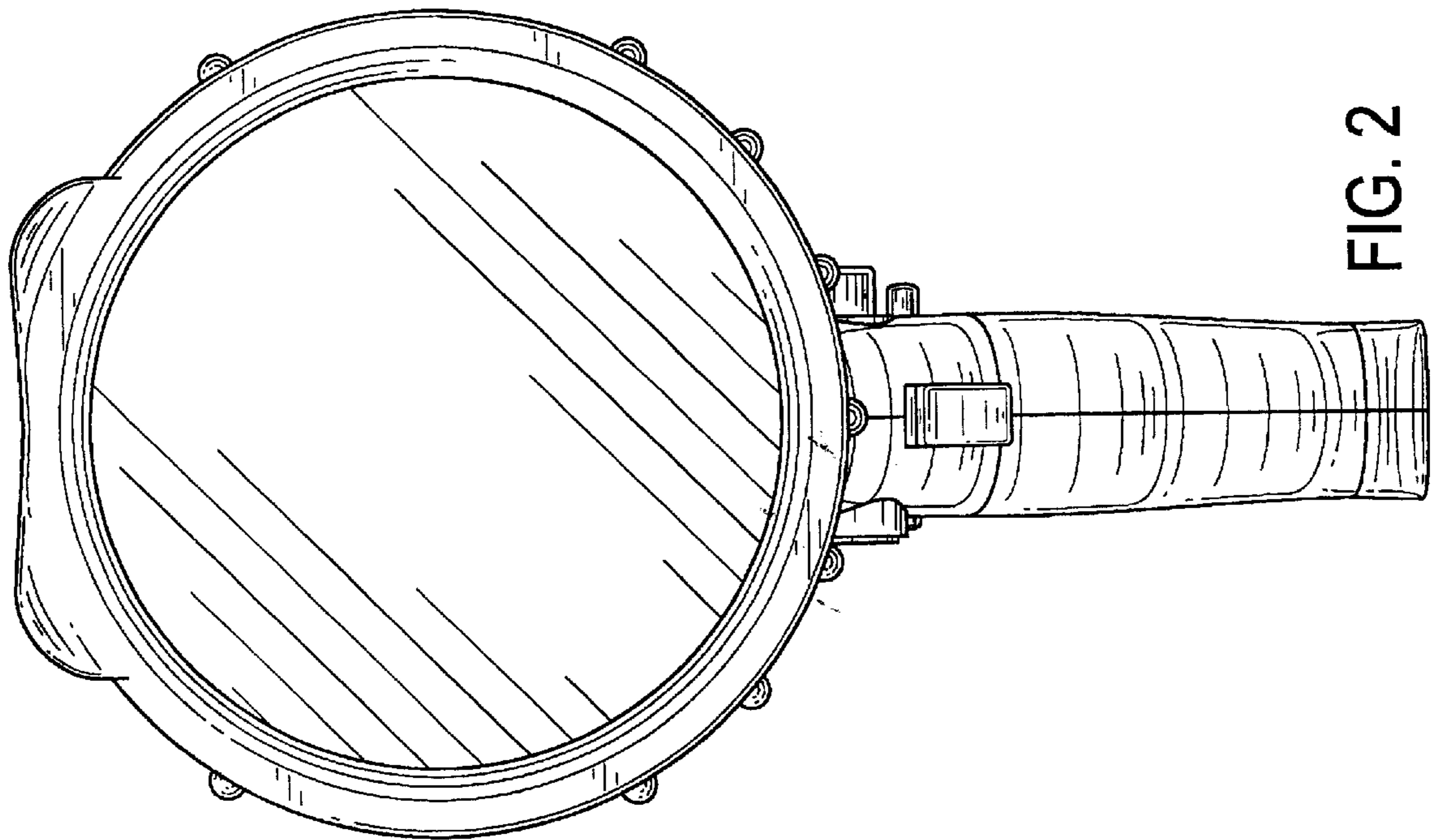


FIG. 2

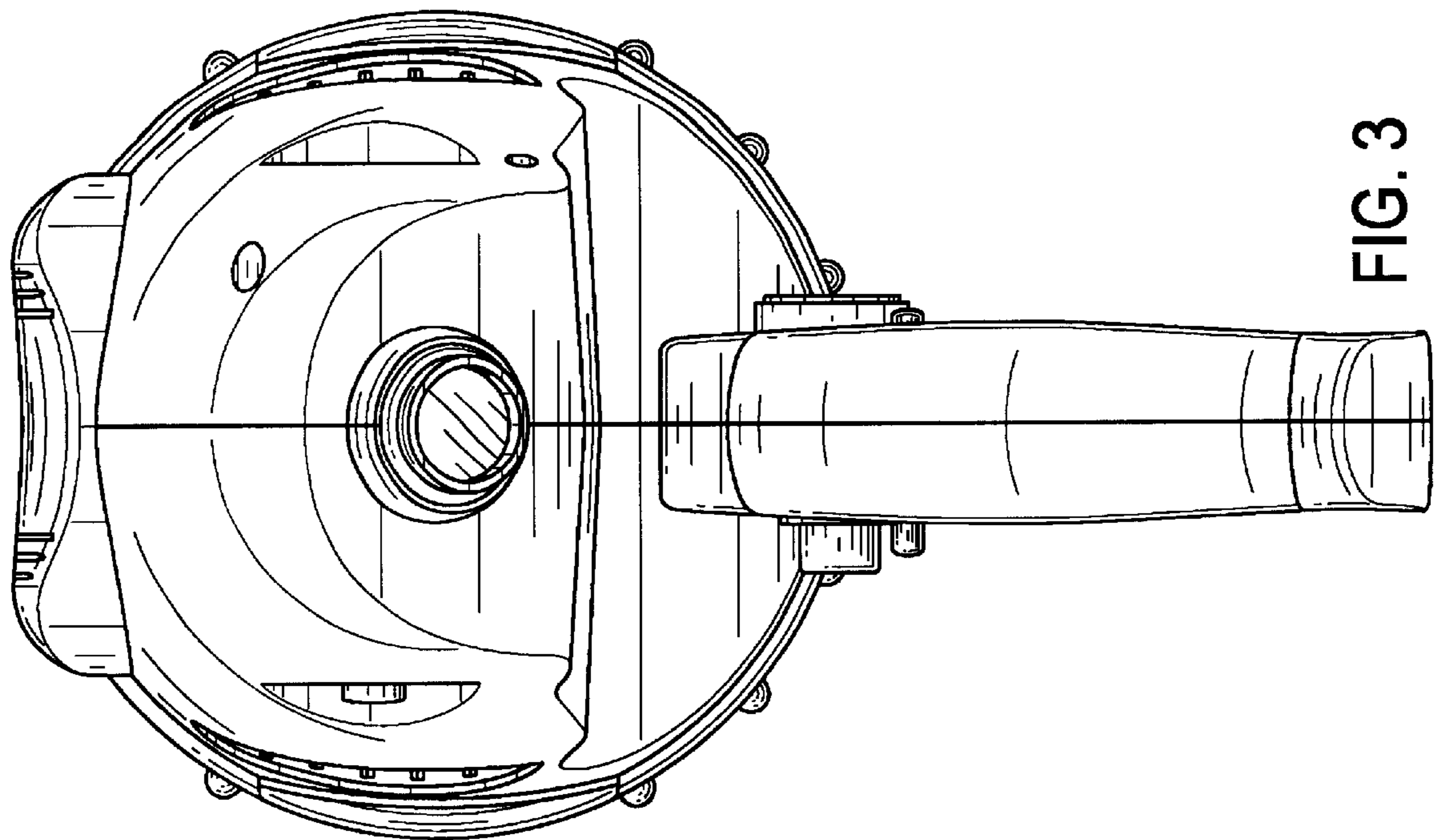


FIG. 3

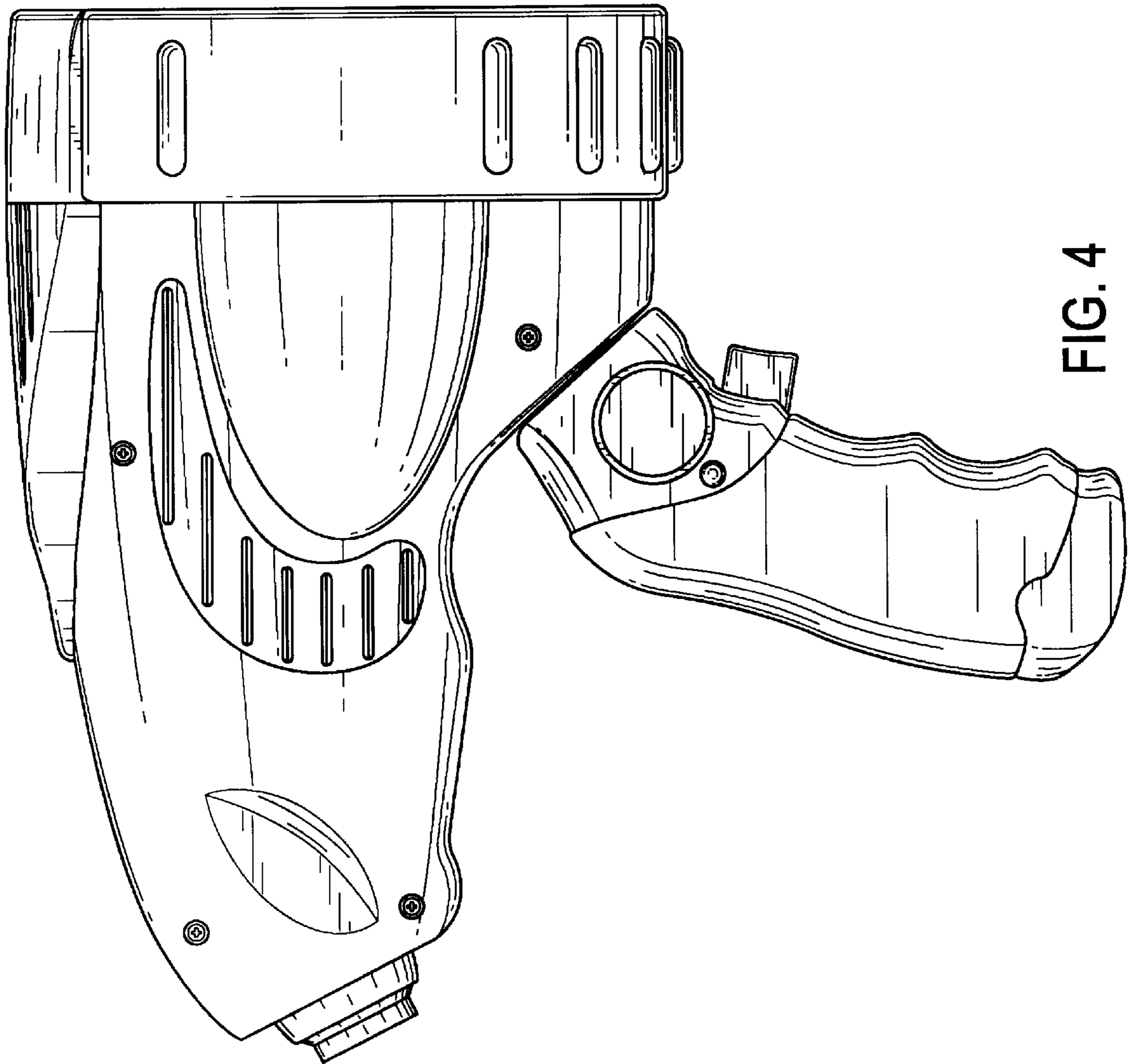


FIG. 4

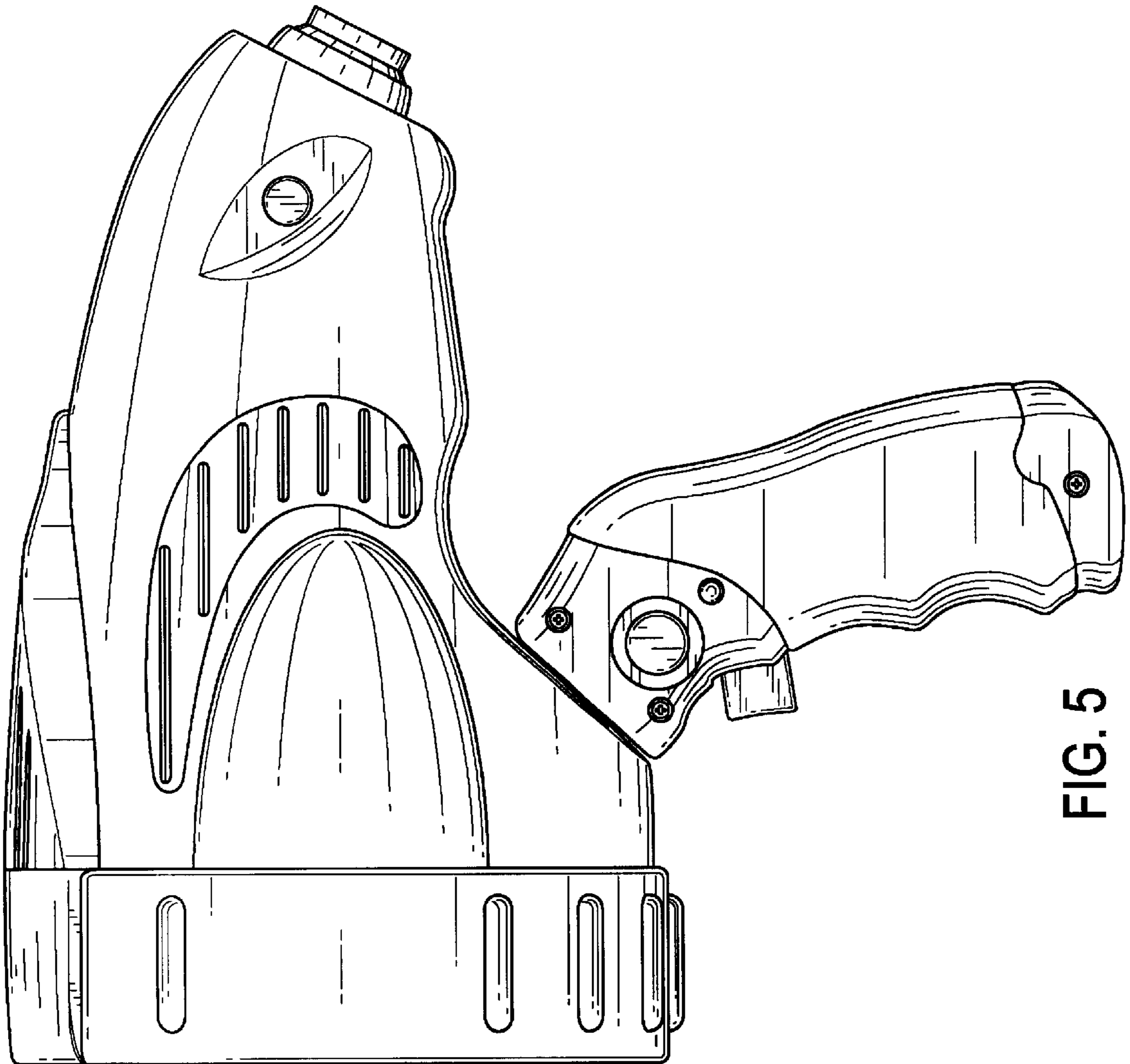


FIG. 5

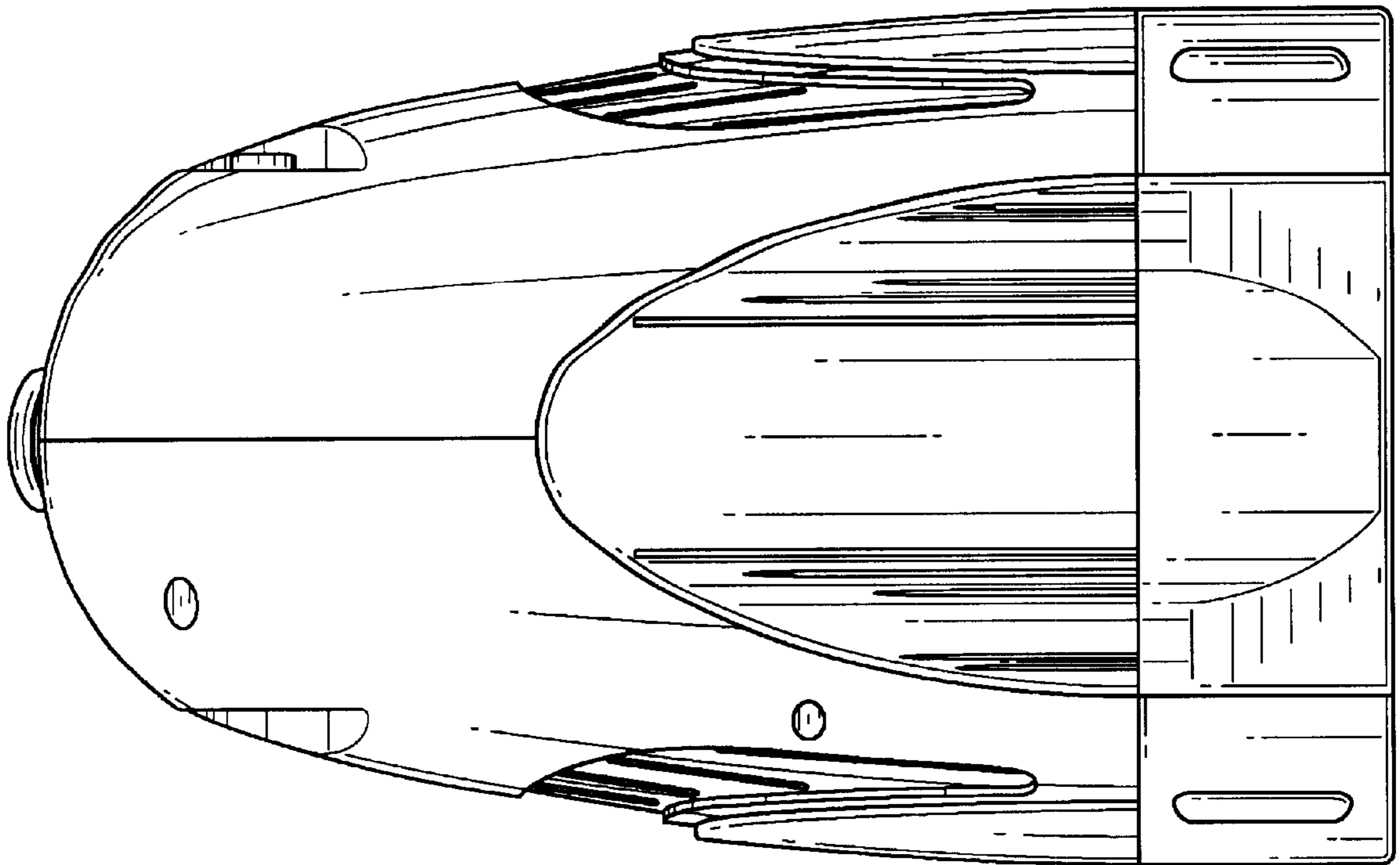


FIG. 6

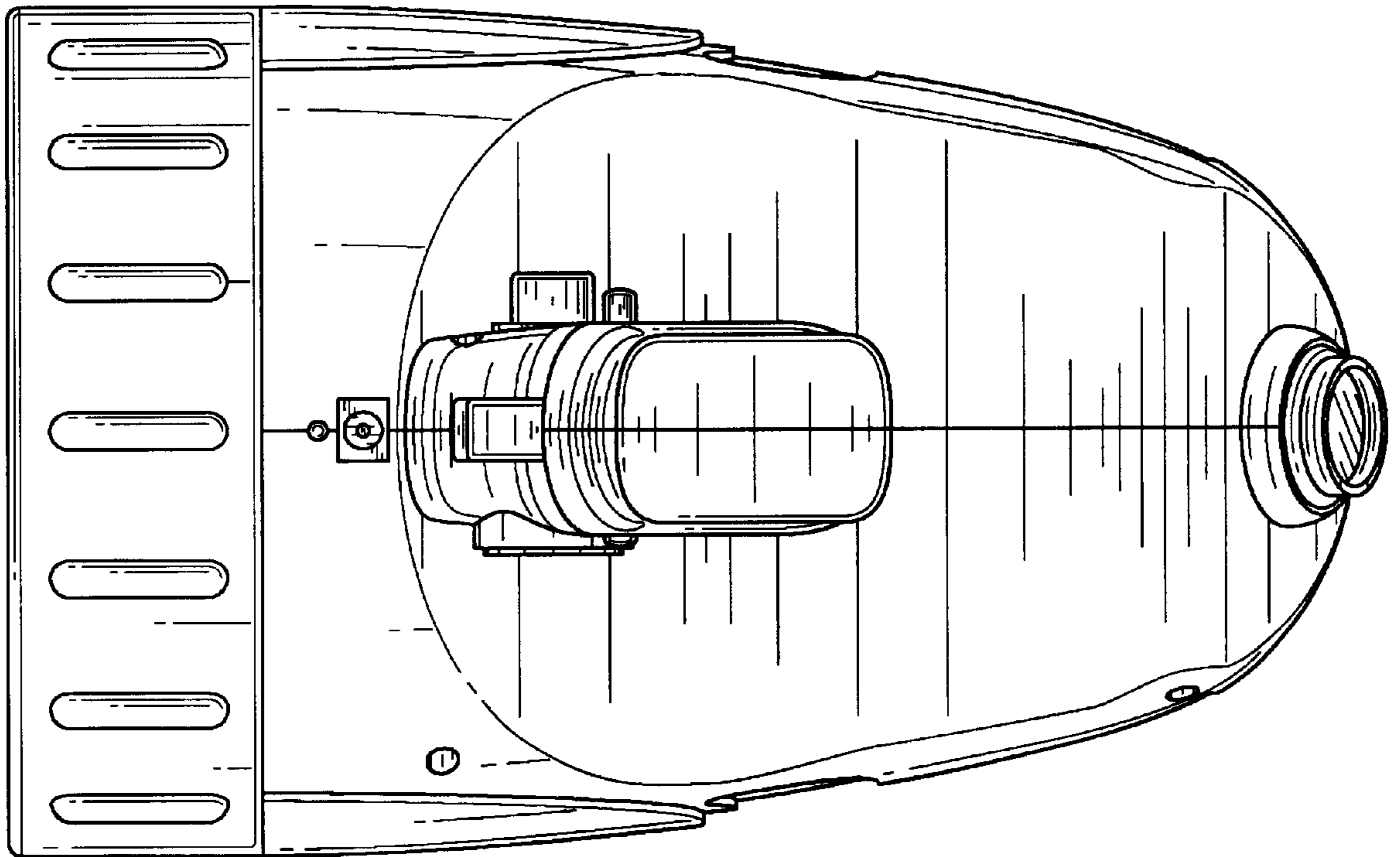


FIG. 7

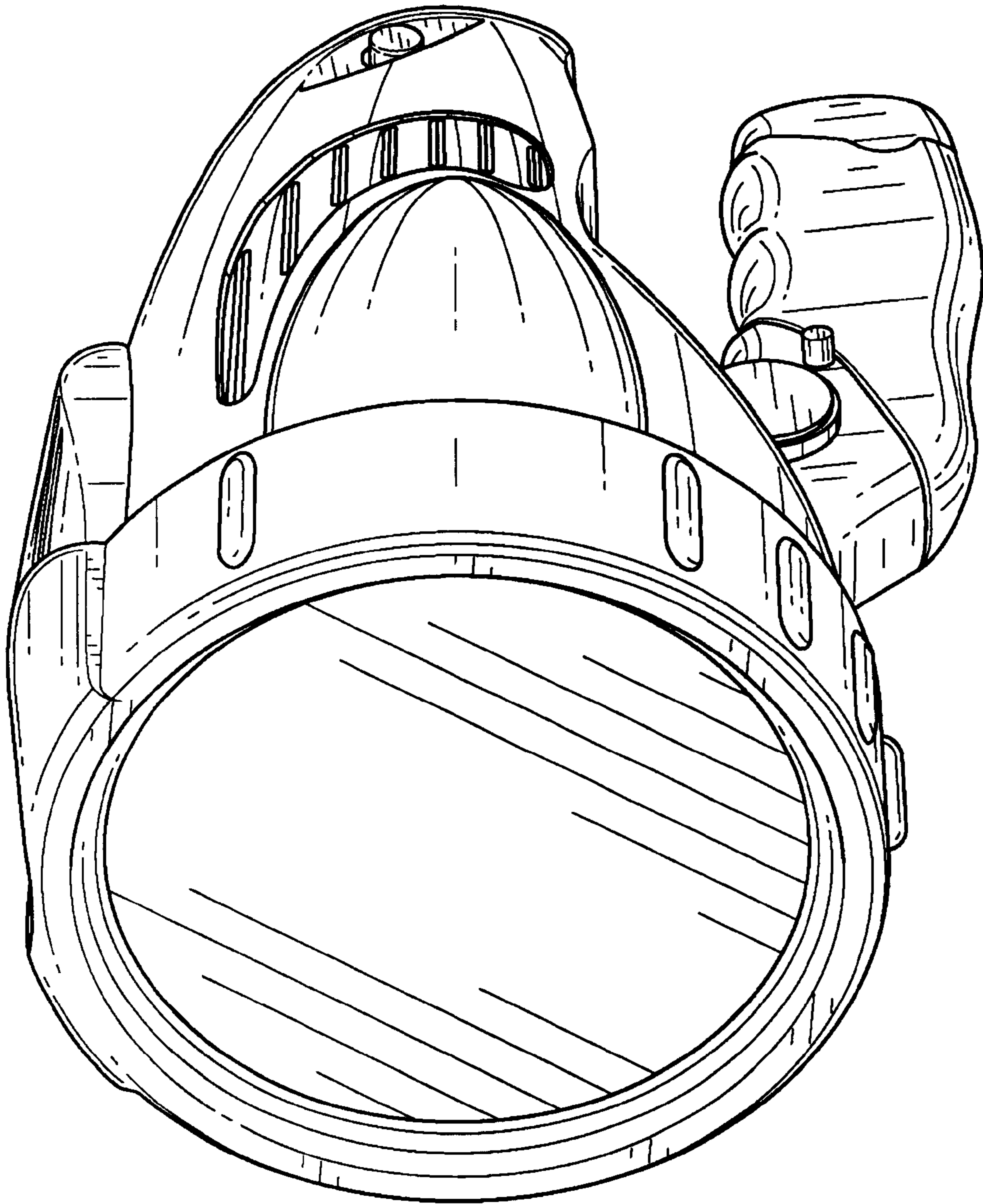


FIG. 8