



US00D481813S

(12) **United States Design Patent**
Krieger et al.

(10) **Patent No.:** **US D481,813 S**

(45) **Date of Patent:** **** Nov. 4, 2003**

(54) **RECHARGEABLE LANTERN WITH JUMP STARTER CABLES**

(75) Inventors: **Michael Krieger**, Miami Beach, FL (US); **Kevin Ellsworth**, Hollywood, FL (US)

(73) Assignee: **Vector Products, Inc.**, Ft. Lauderdale, FL (US)

(**) Term: **14 Years**

(21) Appl. No.: **29/172,435**

(22) Filed: **Dec. 12, 2002**

(51) **LOC (7) Cl.** **26-02**

(52) **U.S. Cl.** **D26/38**

(58) **Field of Search** D26/37-50; 362/157, 362/158, 171, 172, 173, 183-208

(56) **References Cited**

U.S. PATENT DOCUMENTS

D468,038 S	*	12/2002	Poon	D26/38
D472,005 S	*	3/2003	Poon	D26/38
D474,552 S	*	5/2003	Poon	D26/38

* cited by examiner

Primary Examiner—Marcus A. Jackson
(74) *Attorney, Agent, or Firm*—Venable LLP; Robert Kinberg

(57) **CLAIM**

The ornamental design for a rechargeable lantern with jump starter cables, as shown and described.

DESCRIPTION

FIG. 1 is a perspective view from the front-right-top side of the rechargeable lantern with jump starter cables showing our new design;

FIG. 2 is a front view of the design shown in FIG. 1;

FIG. 3 is a rear view of the design shown in FIG. 1;

FIG. 4 is a left side view of the design shown in FIG. 1;

FIG. 5 is a right side view of the design shown in FIG. 1;

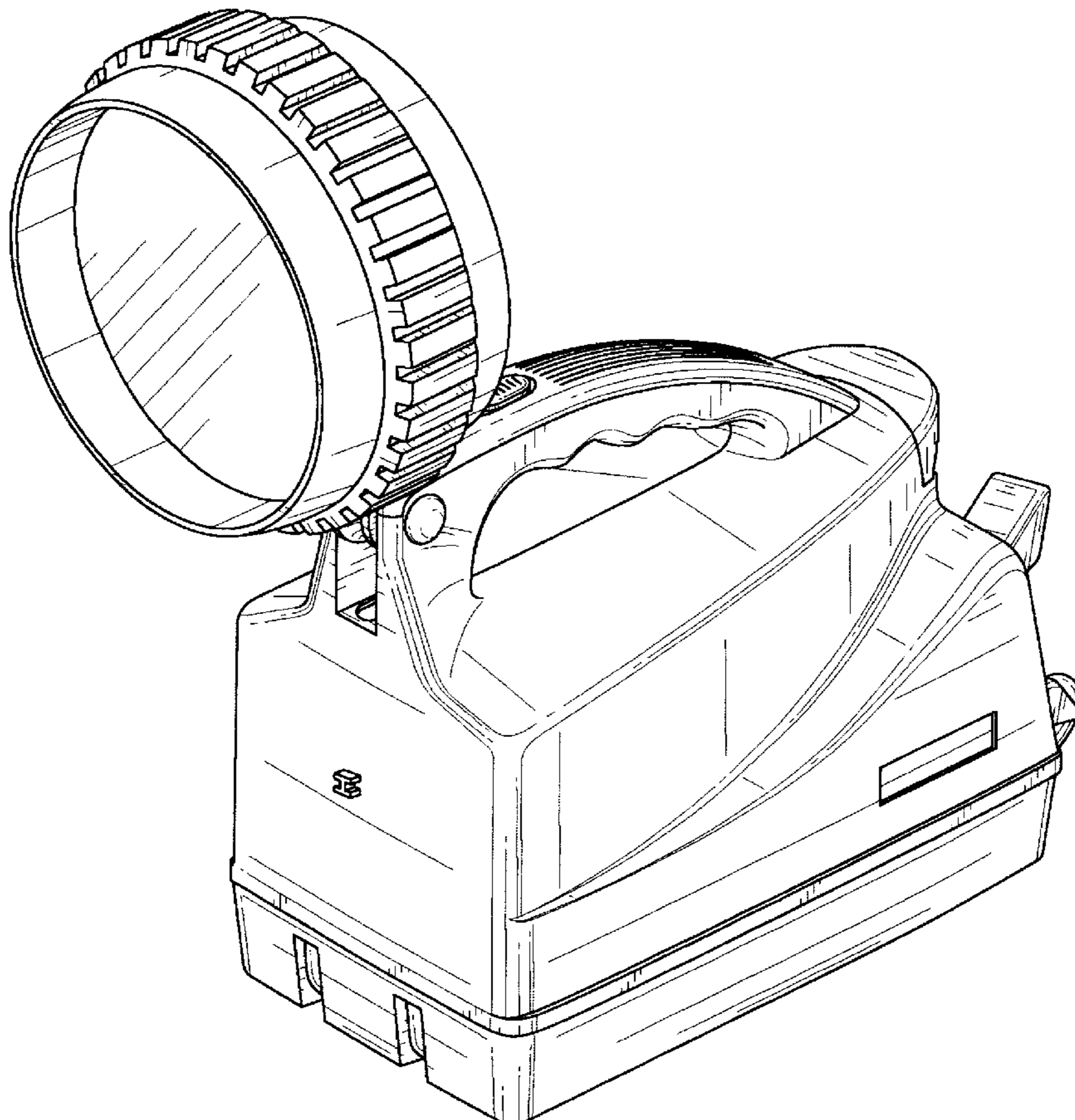
FIG. 6 is a top view of the design shown in FIG. 1;

FIG. 7 is a bottom view of the design shown in FIG. 1;

FIG. 8 is a the same perspective view as in FIG. 1 and additionally showing a recharging docking station in dotted line, with the broken line showing for illustrative purposes only and showing no part of the claimed design; and,

FIG. 9 shows the same perspective view of the design shown in FIG. 1, with the head lamp of the lantern tilted downward.

1 Claim, 9 Drawing Sheets



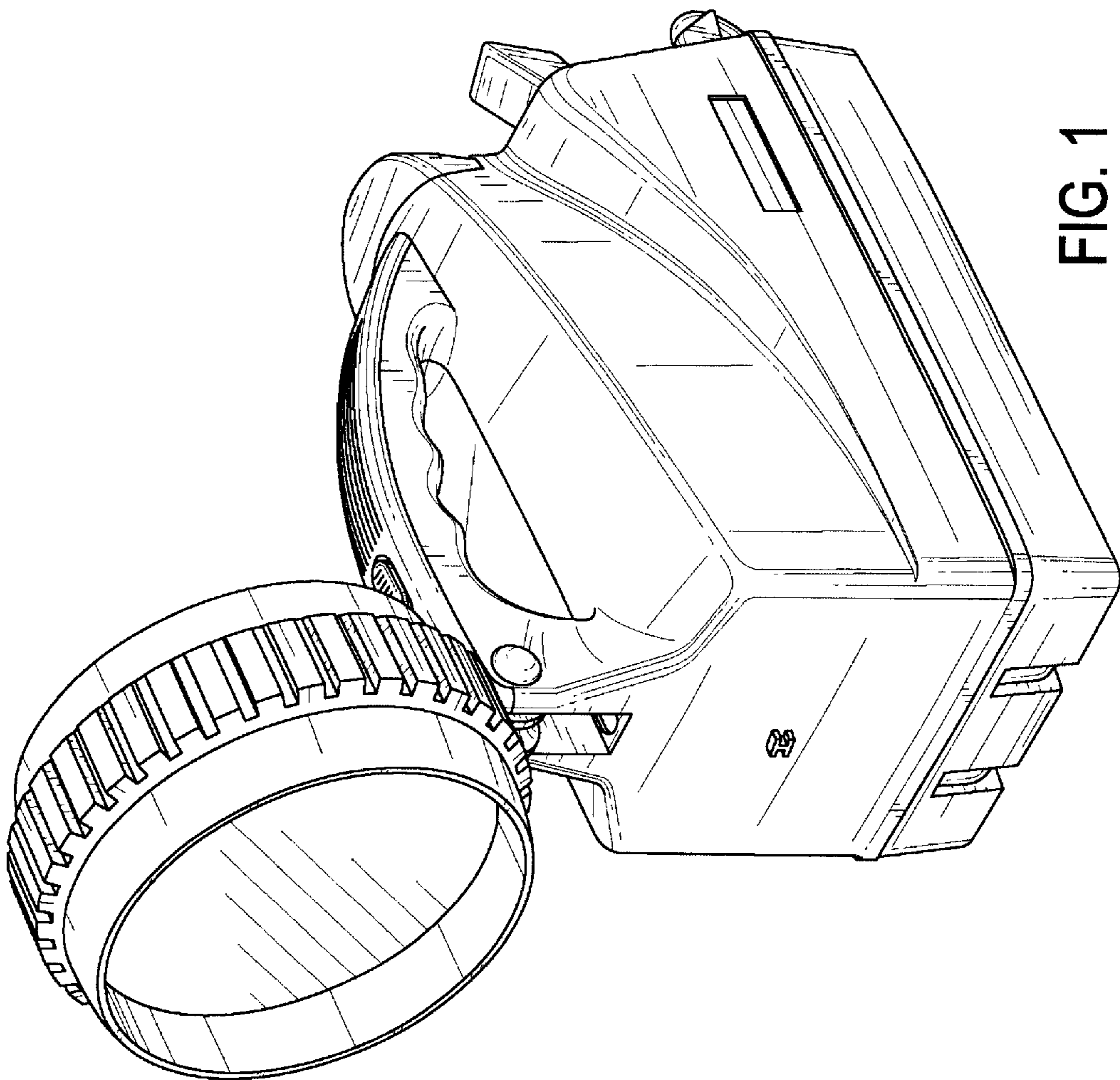


FIG. 1

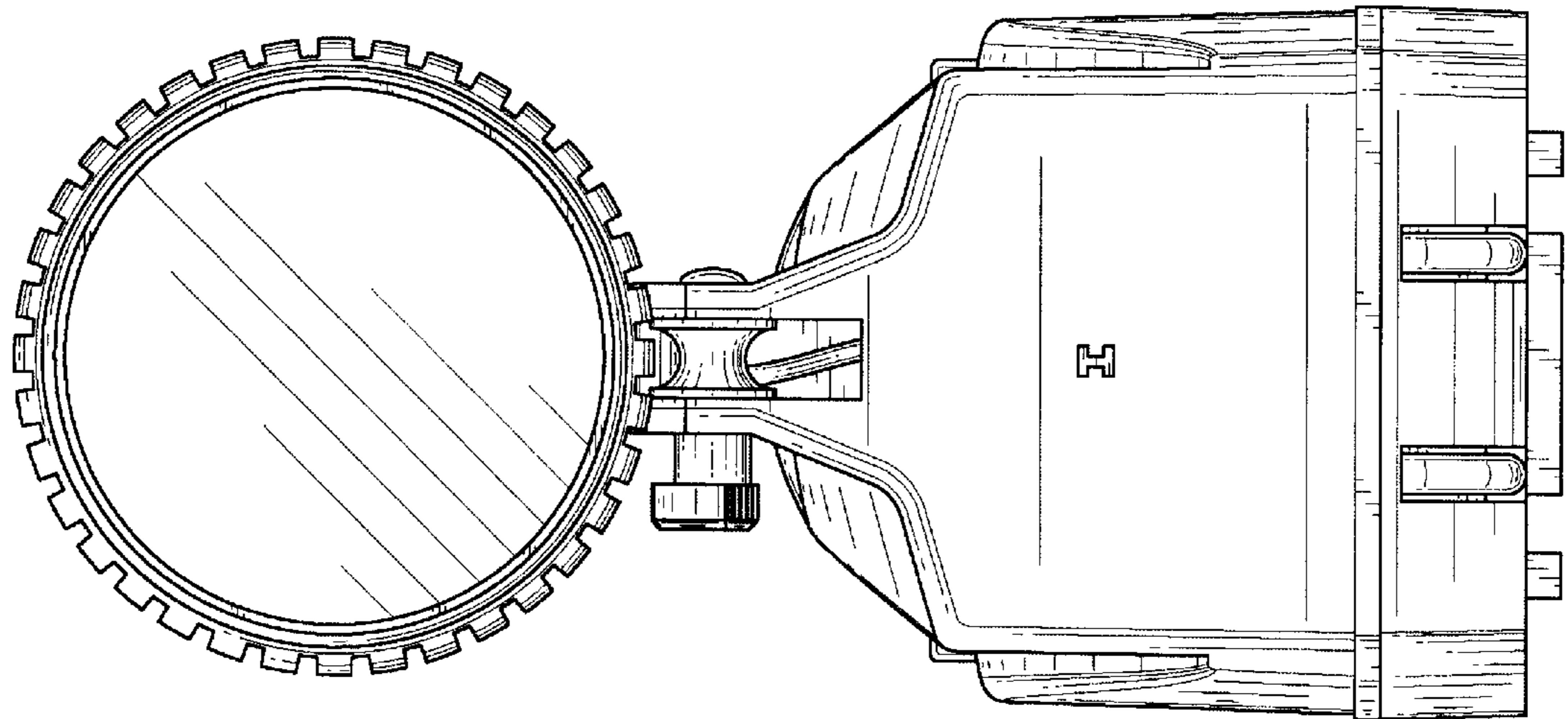


FIG. 2

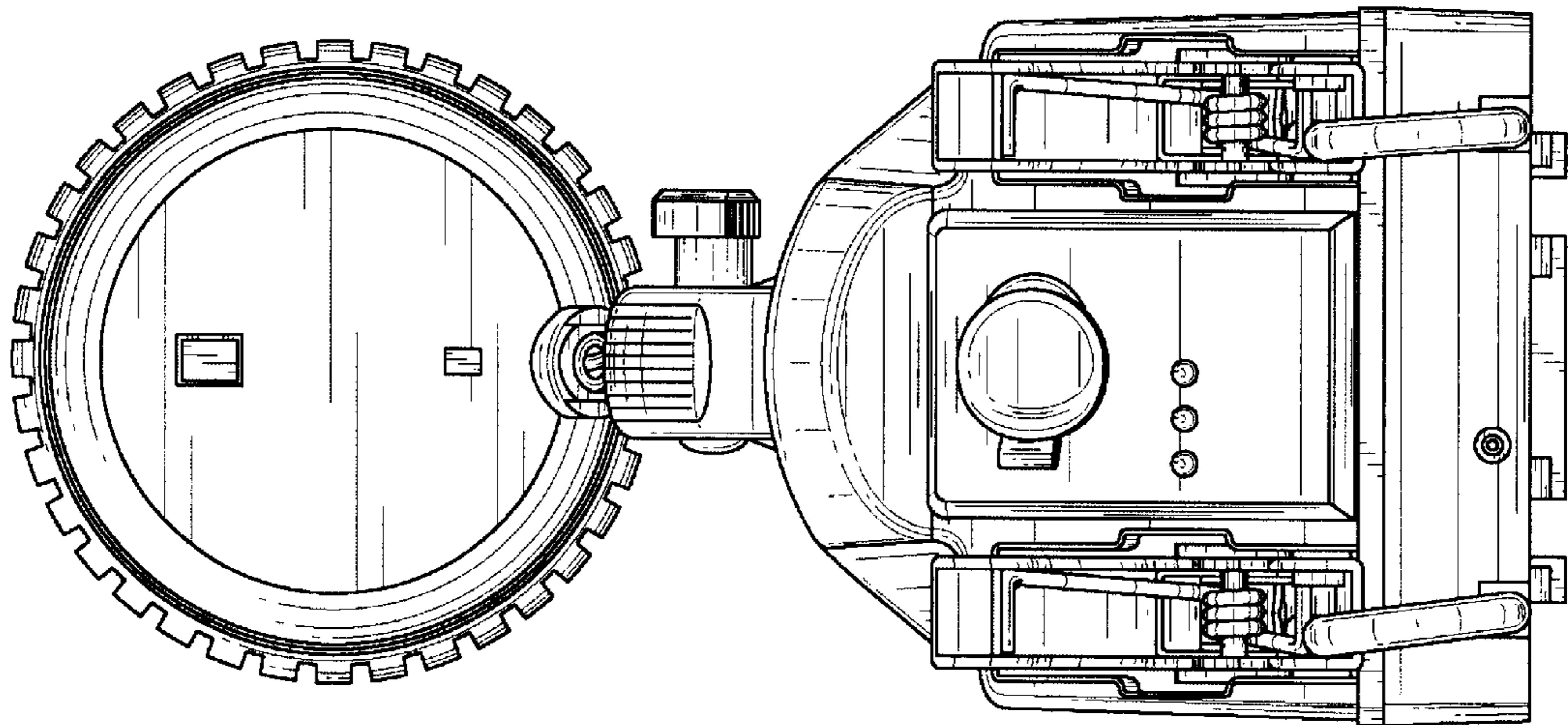


FIG. 3

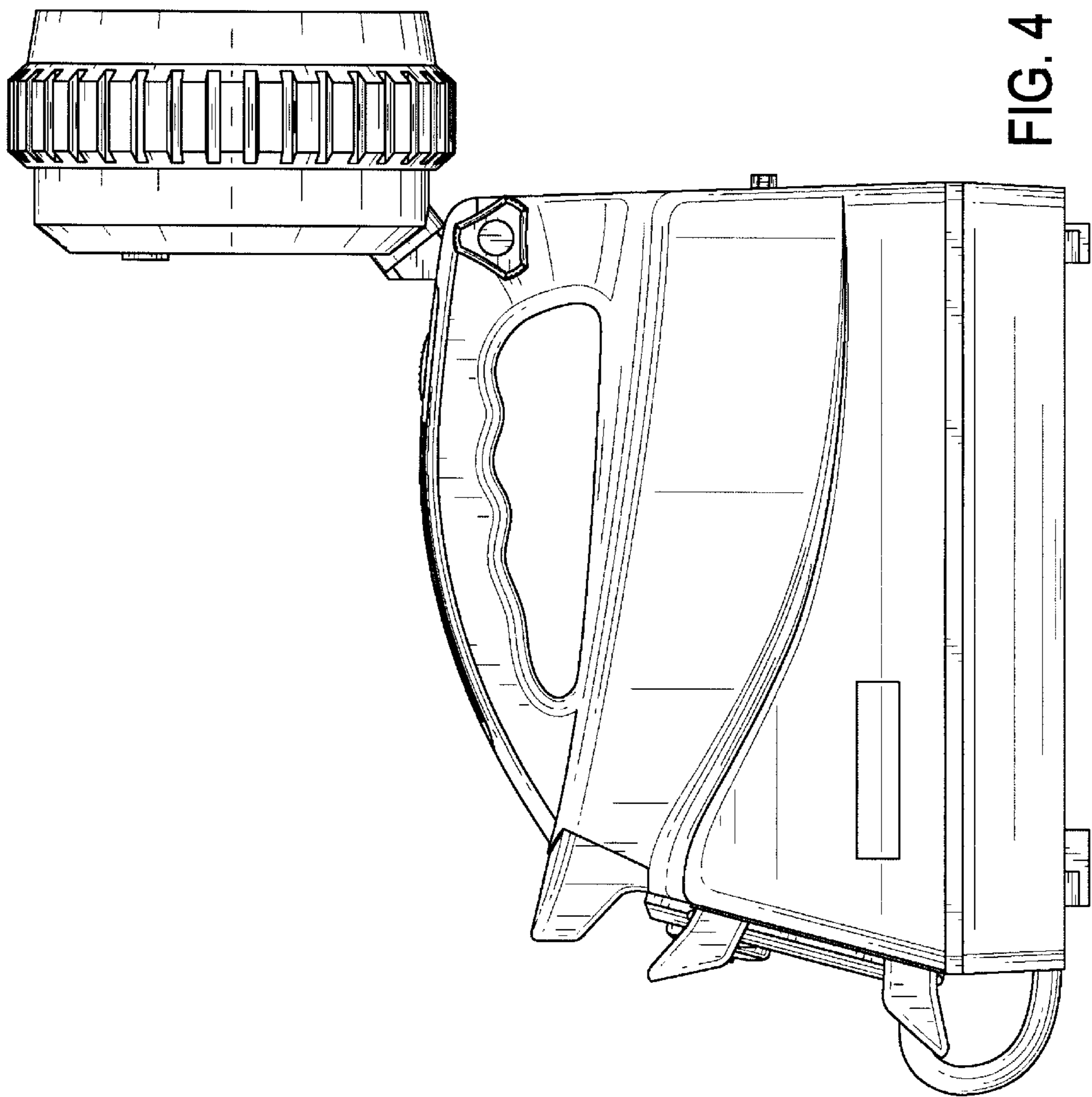


FIG. 4

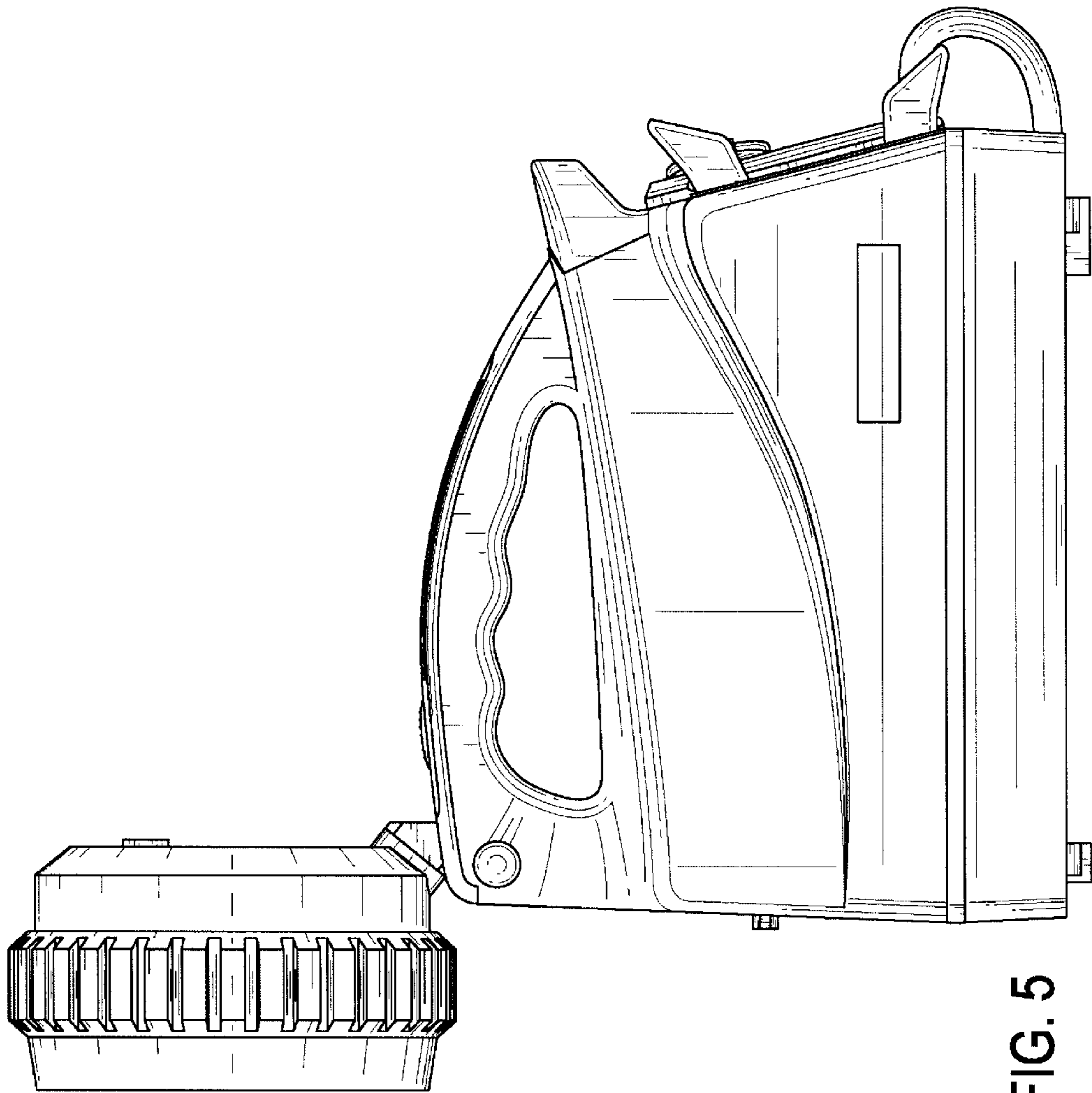


FIG. 5

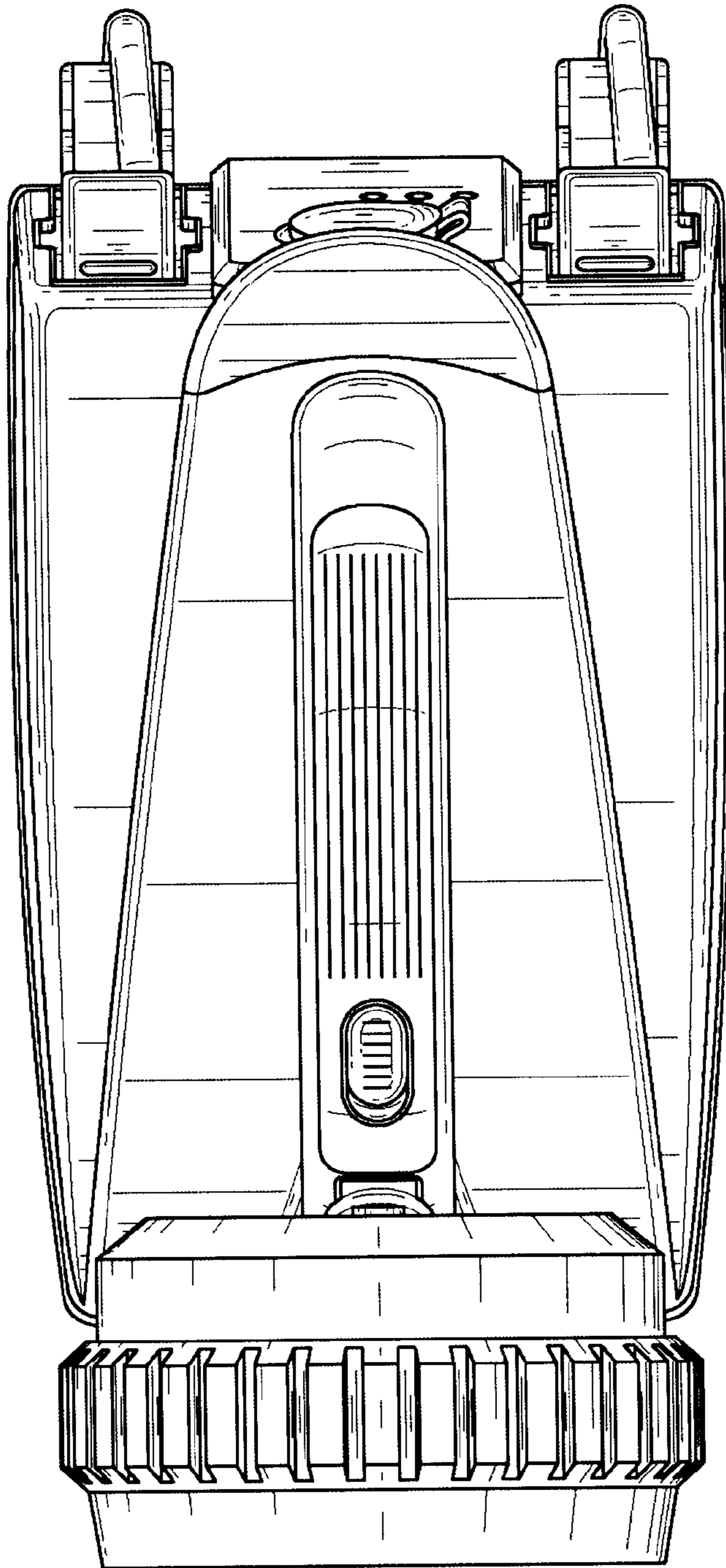


FIG. 6

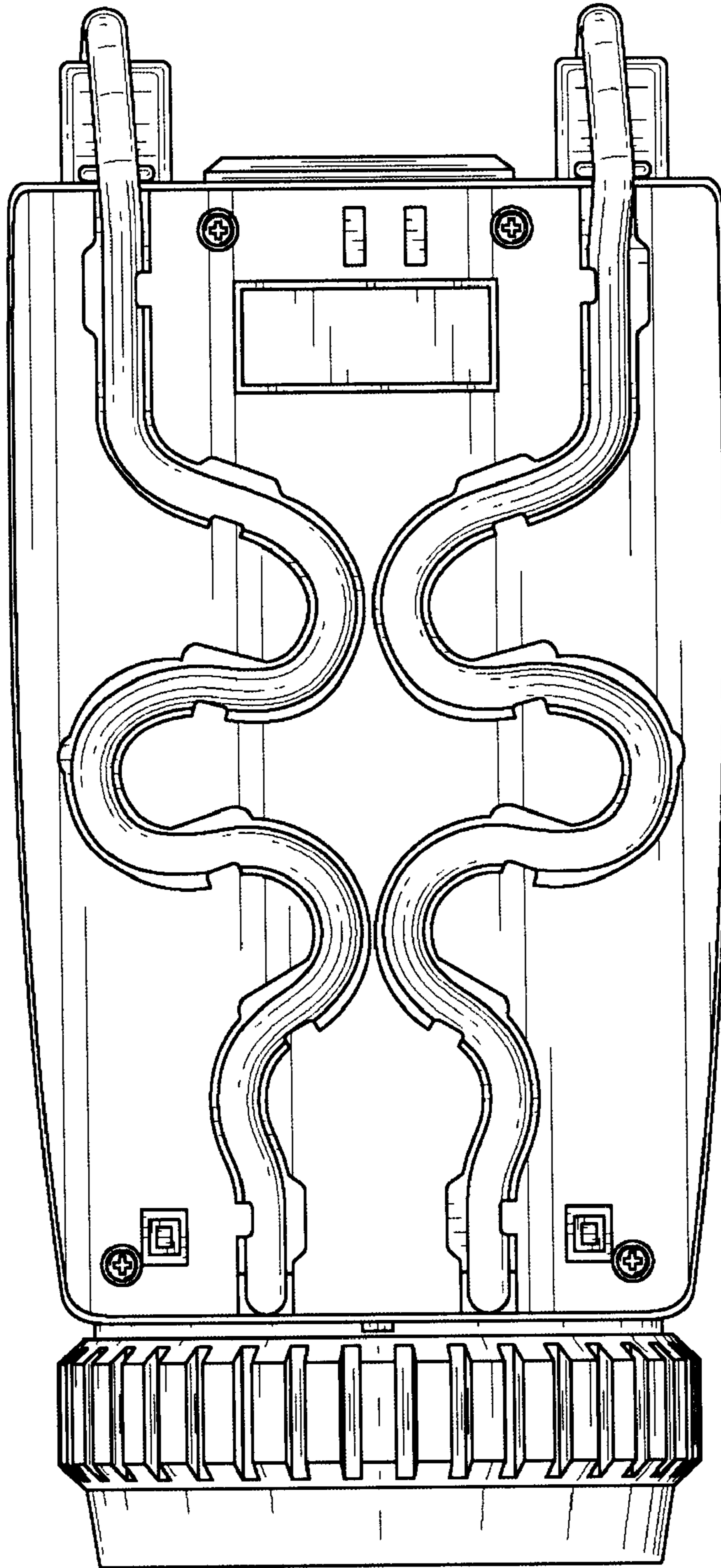


FIG. 7

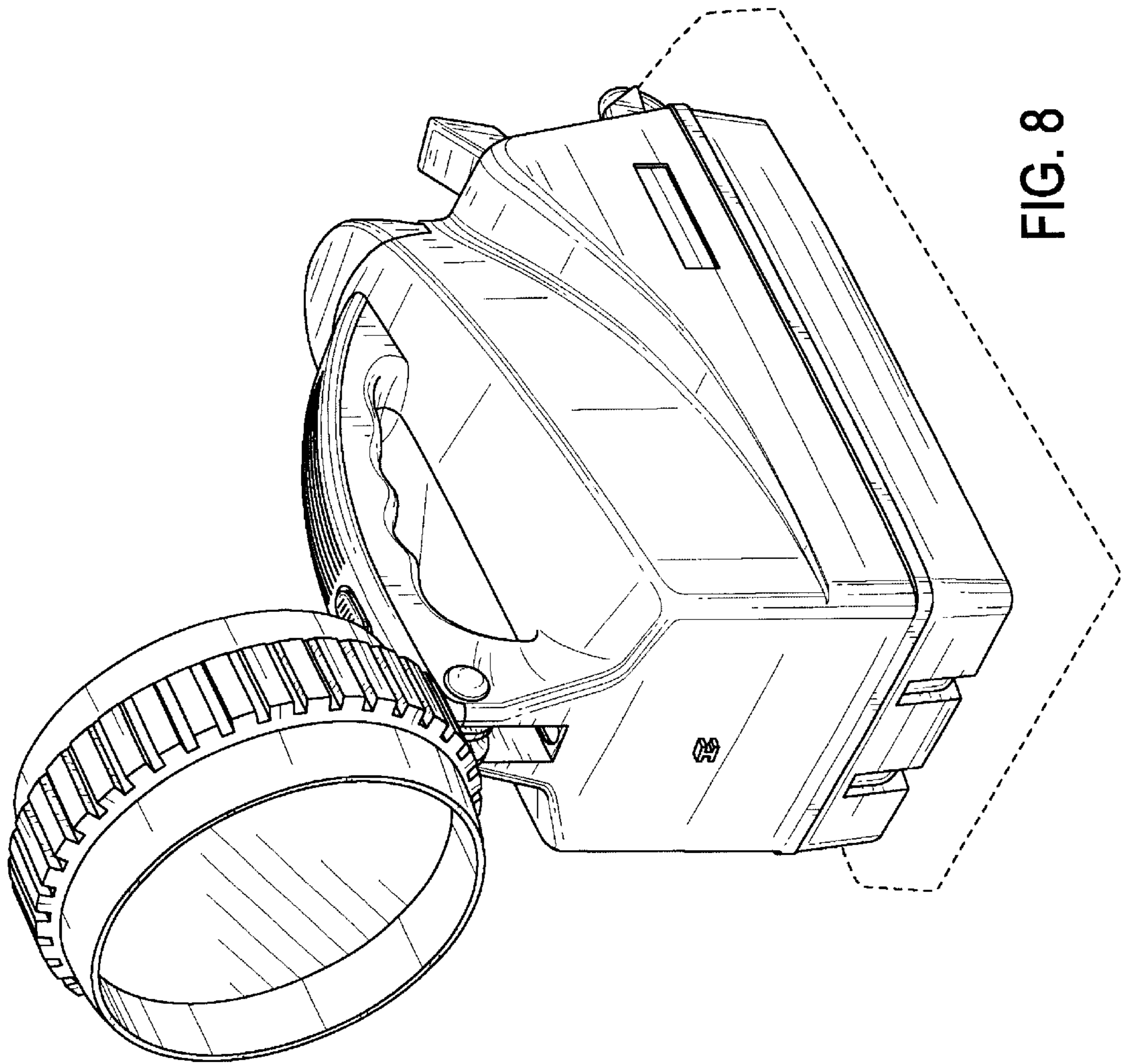


FIG. 8

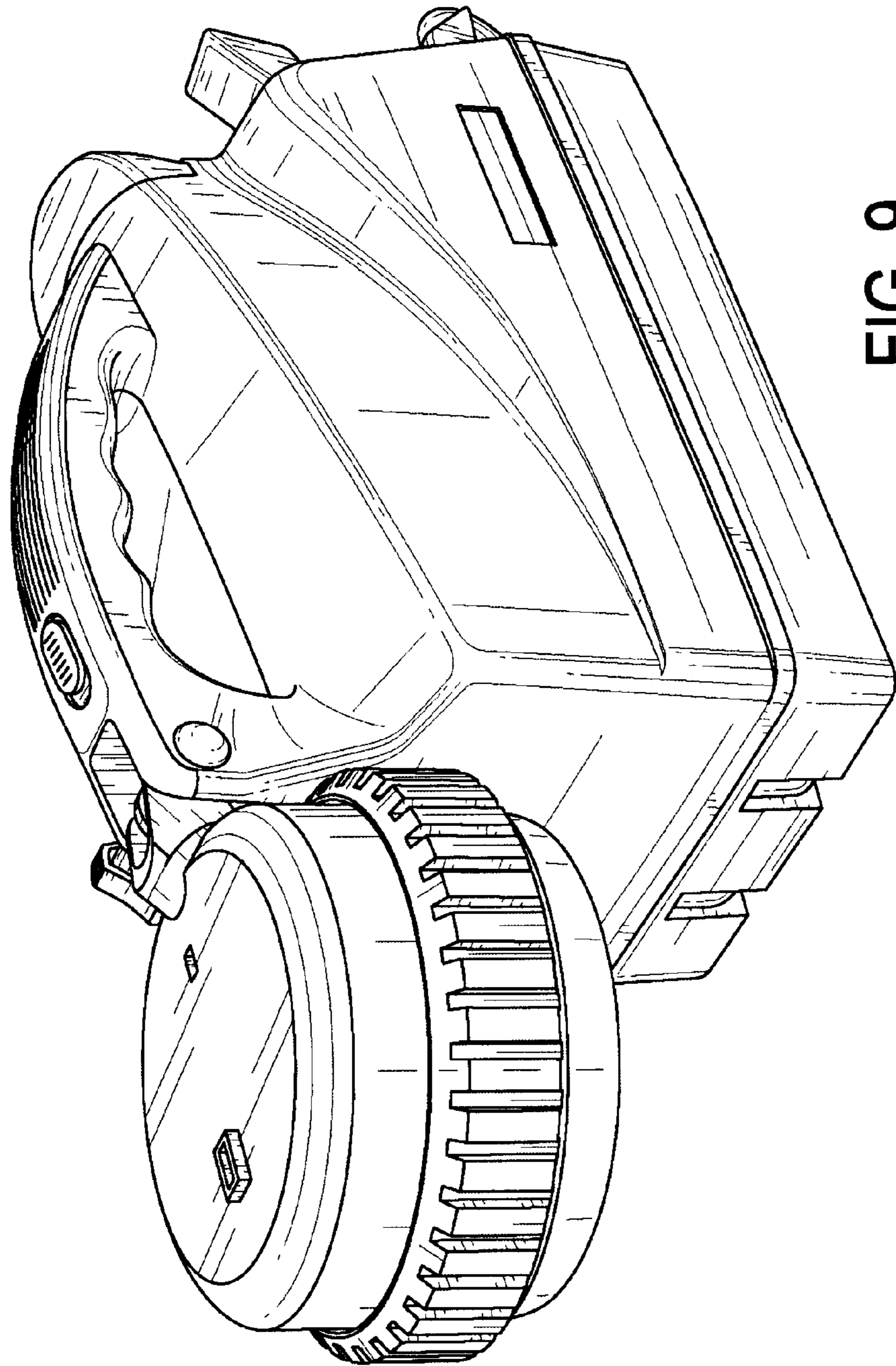


FIG. 9