



US00D481812S

(12) **United States Design Patent**  
**Krieger et al.**

(10) **Patent No.:** **US D481,812 S**

(45) **Date of Patent:** **\*\* Nov. 4, 2003**

(54) **RECHARGEABLE FLASHLIGHT**

D403,446 S \* 12/1998 Lynch et al. .... D26/37  
D407,509 S \* 3/1999 Yuen ..... D26/37

(75) Inventors: **Michael Krieger**, Miami Beach, FL  
(US); **Kevin Ellsworth**, Hollywood, FL  
(US)

\* cited by examiner

(73) Assignee: **Vector Products, Inc.**, Ft. Lauderdale,  
FL (US)

*Primary Examiner*—Marcus A. Jackson  
(74) *Attorney, Agent, or Firm*—Venable LLP; Robert  
Kinberg

(\*\*) Term: **14 Years**

(57) **CLAIM**

(21) Appl. No.: **29/172,527**

The ornamental design for a rechargeable flashlight, as  
shown and described.

(22) Filed: **Dec. 13, 2002**

**DESCRIPTION**

(51) **LOC (7) Cl.** ..... **26-02**

(52) **U.S. Cl.** ..... **D26/37**

(58) **Field of Search** ..... D26/37-50; 362/157,  
362/158, 171, 172, 173, 183-208

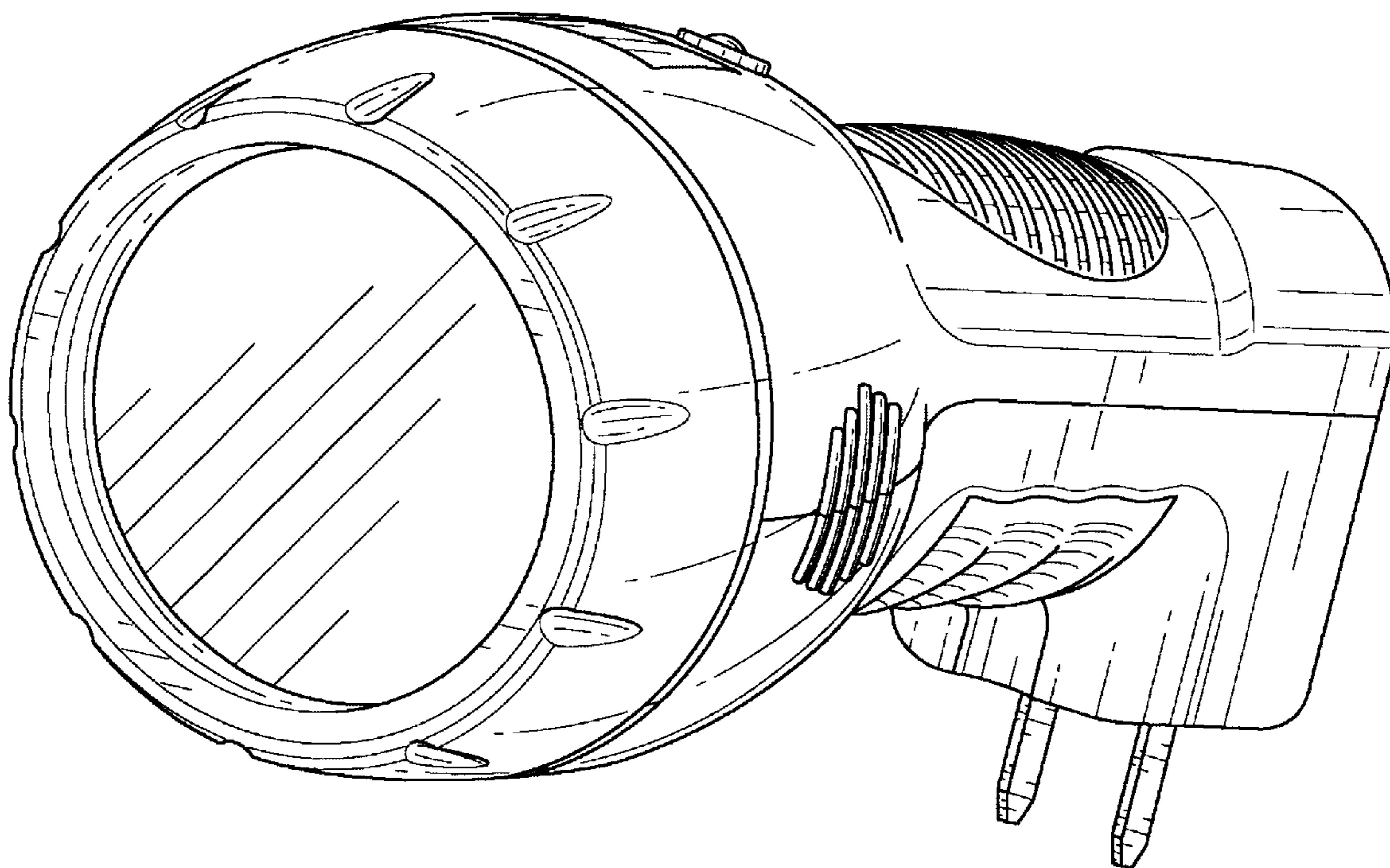
FIG. 1 is a perspective view from the front-right side of the  
rechargeable flashlight showing our new design;  
FIG. 2 is a front view of the design shown in FIG. 1;  
FIG. 3 is a rear view of the design shown in FIG. 1;  
FIG. 4 is a left side view of the design shown in FIG. 1;  
FIG. 5 is a right side view of the design shown in FIG. 1;  
FIG. 6 is a top view of the design shown in FIG. 1; and,  
FIG. 7 is a bottom view of the design shown in FIG. 1.

(56) **References Cited**

**U.S. PATENT DOCUMENTS**

D395,719 S \* 6/1998 Concari ..... D26/37

**1 Claim, 6 Drawing Sheets**



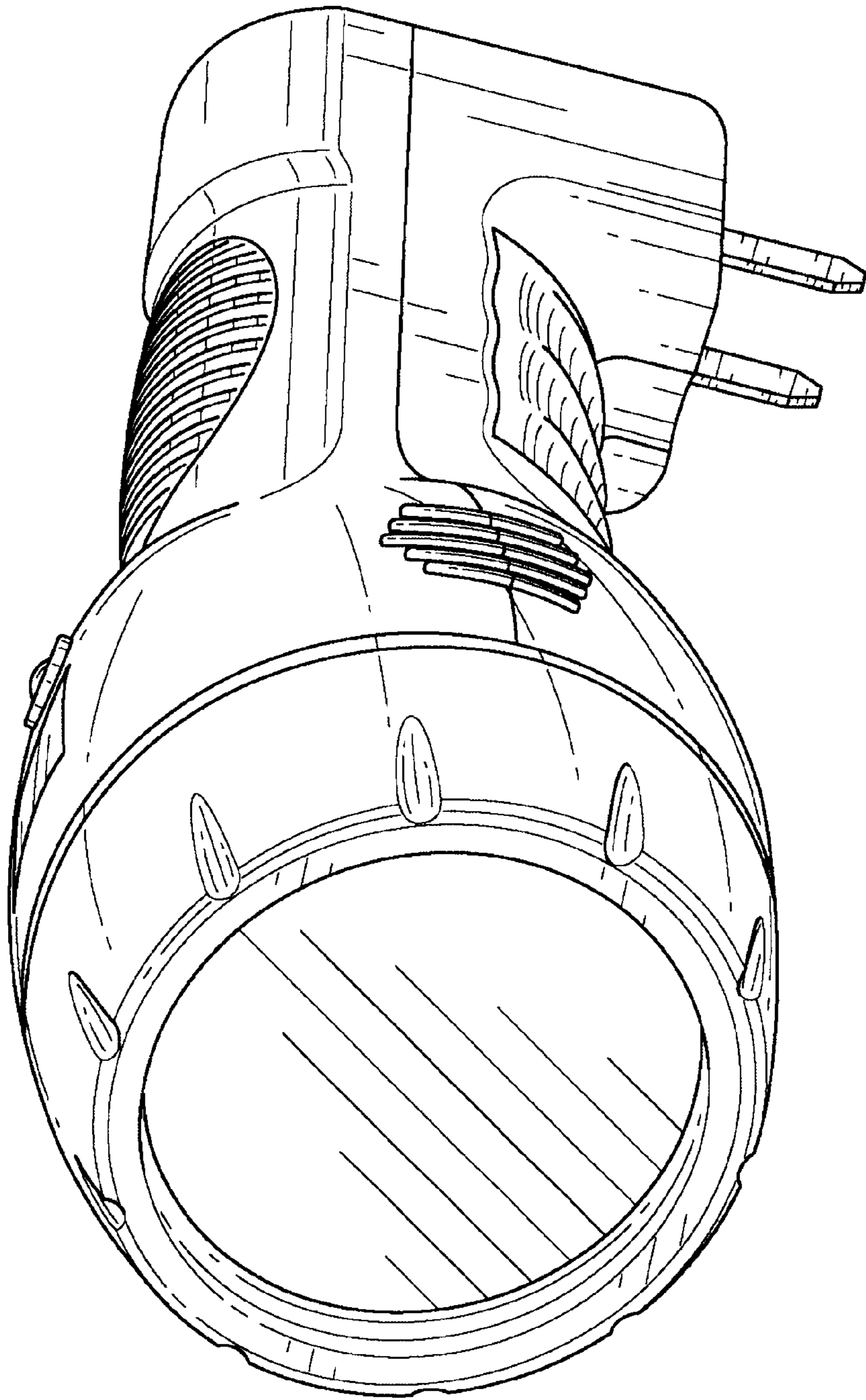


FIG. 1

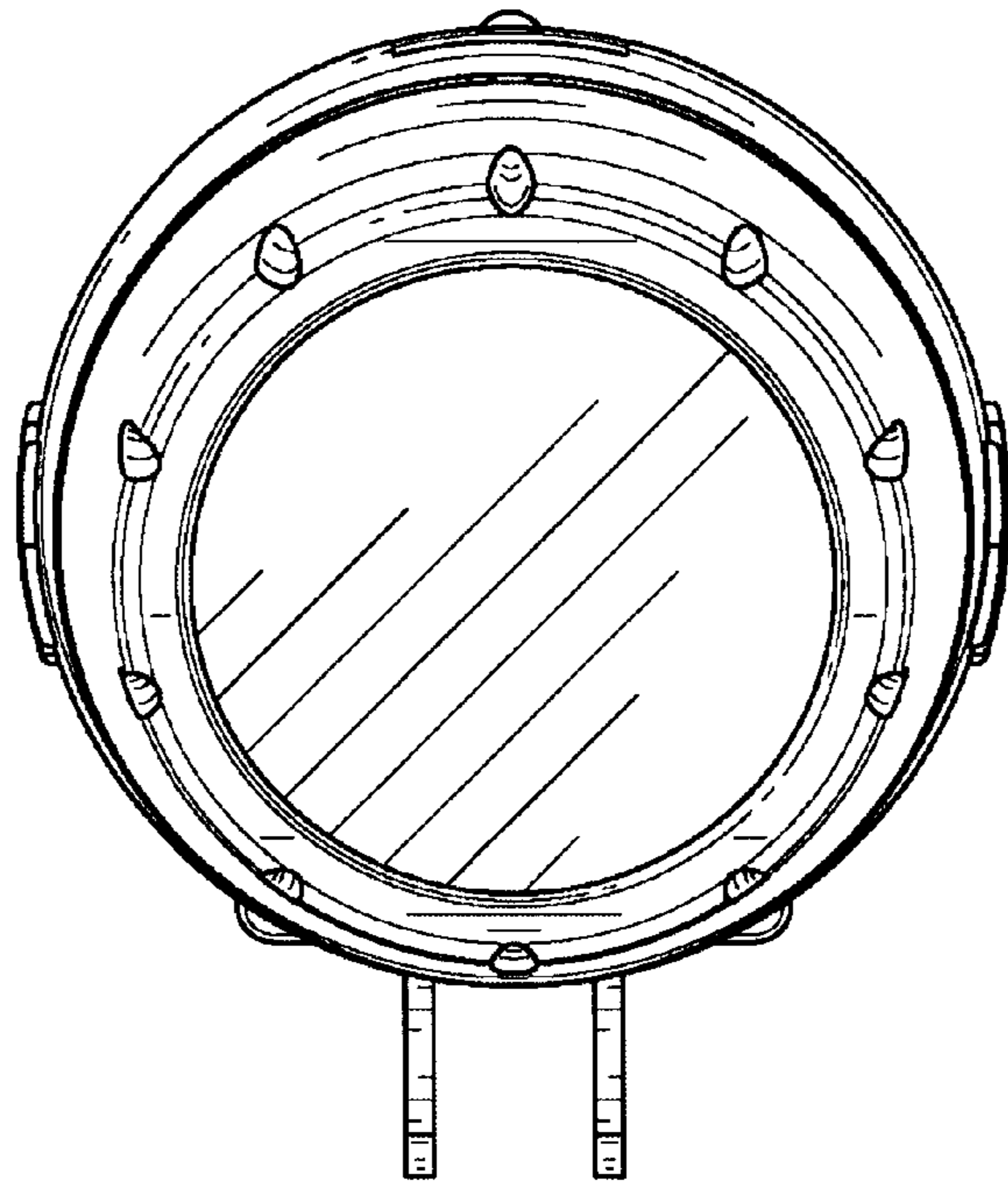


FIG. 2

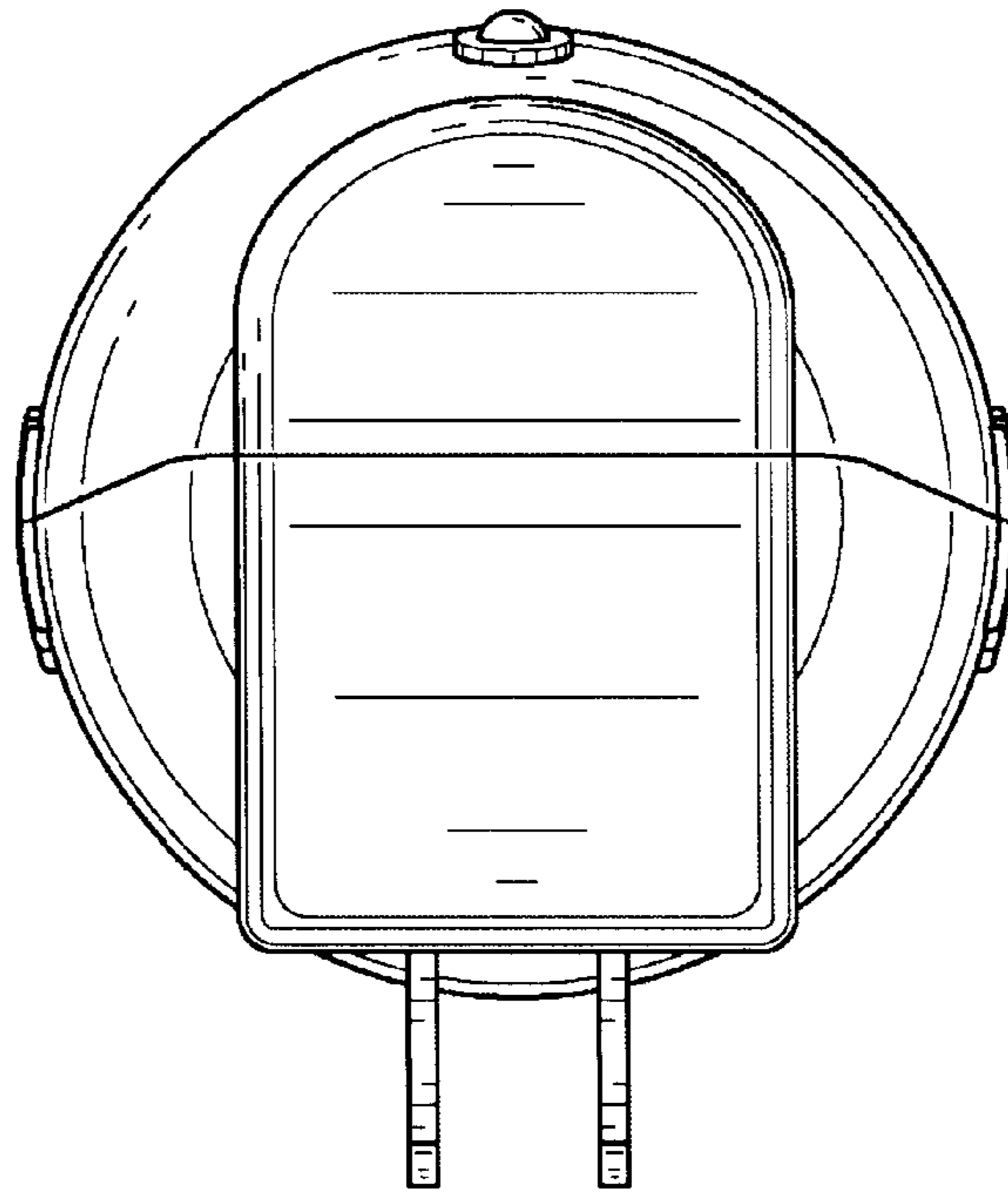


FIG. 3

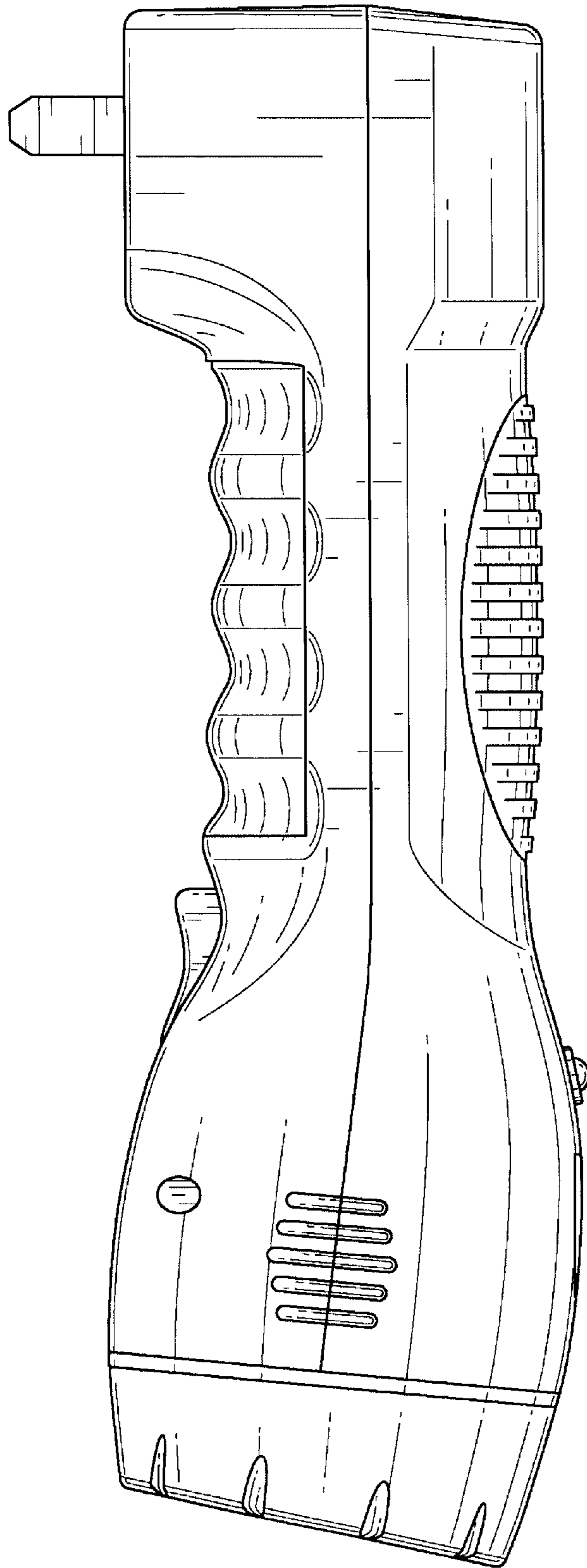


FIG. 4

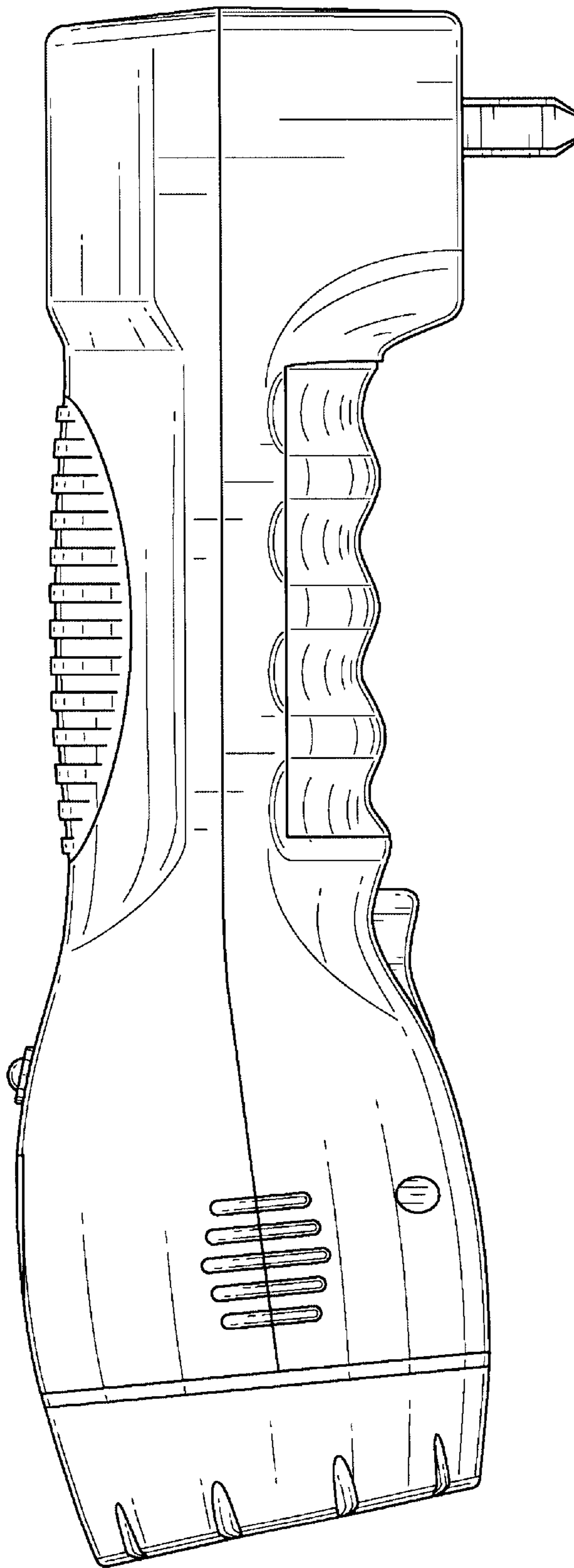


FIG. 5

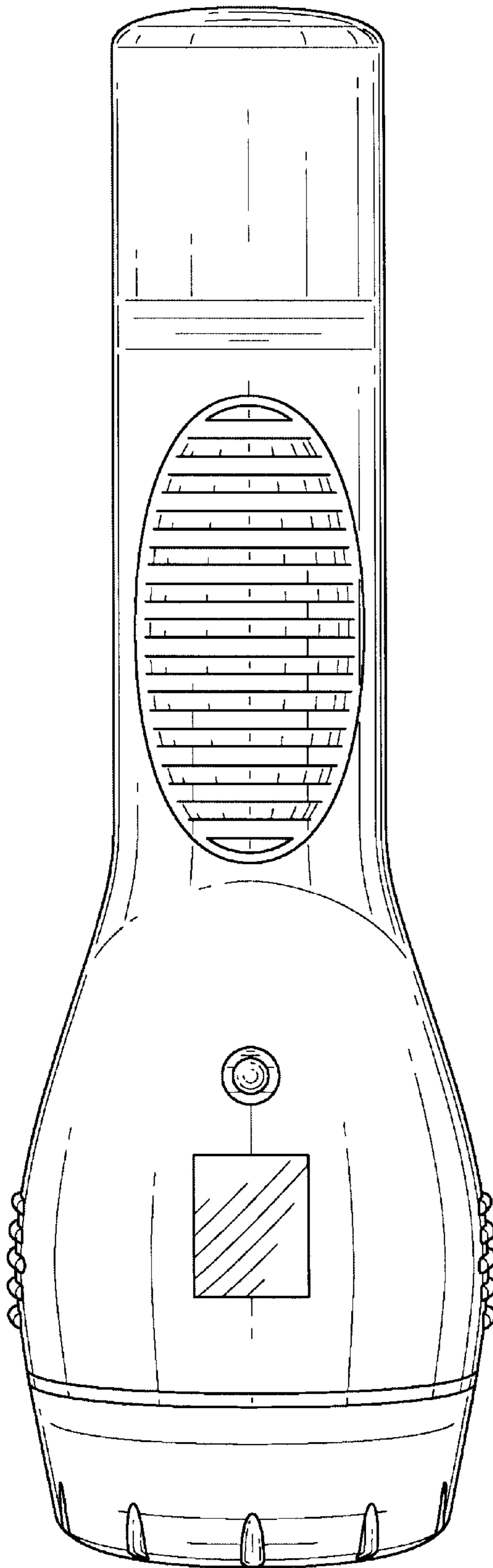


FIG. 6

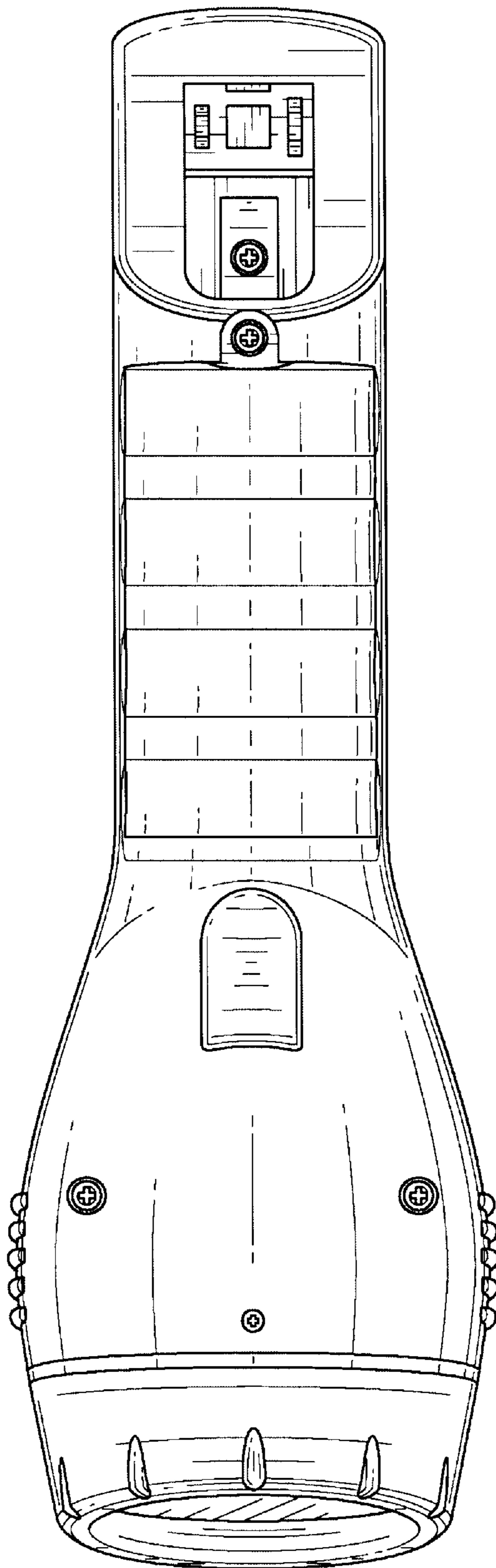


FIG. 7