



US00D481811S

(12) **United States Design Patent**
Krieger et al.

(10) **Patent No.:** **US D481,811 S**

(45) **Date of Patent:** **** Nov. 4, 2003**

(54) **RECHARGEABLE FLASHLIGHT**

(75) Inventors: **Michael Krieger**, Miami Beach, FL (US); **Kevin Ellsworth**, Hollywood, FL (US)

(73) Assignee: **Vector Products, Inc.**, Ft. Lauderdale, FL (US)

(**) Term: **14 Years**

(21) Appl. No.: **29/172,437**

(22) Filed: **Dec. 12, 2002**

(51) **LOC (7) Cl.** **26-02**

(52) **U.S. Cl.** **D26/37**

(58) **Field of Search** D26/37-50; 362/157, 362/158, 171, 172, 173, 183-208

(56) **References Cited**

U.S. PATENT DOCUMENTS

D403,446 S * 12/1998 Lynch et al. D26/37

D407,509 S * 3/1999 Yuen D26/37

D436,196 S * 1/2001 Chan et al. D26/37

D440,333 S * 4/2001 Yuen D26/37

* cited by examiner

Primary Examiner—Marcus A. Jackson

(74) *Attorney, Agent, or Firm*—Venable LLP; Robert Kinberg

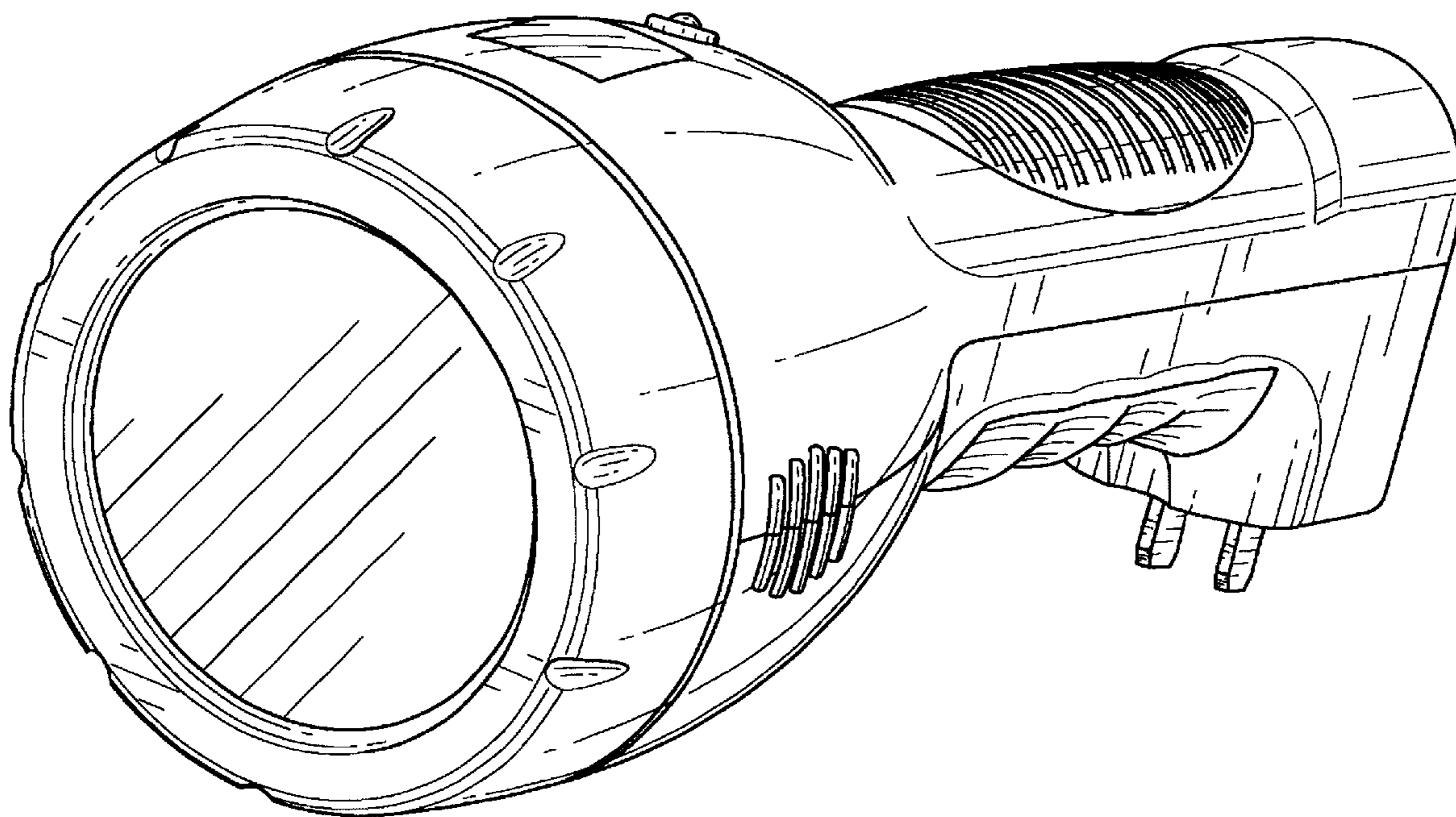
(57) **CLAIM**

The ornamental design for a rechargeable flashlight, as shown and described.

DESCRIPTION

FIG. 1 is a perspective view from the front-right side of the rechargeable flashlight showing our new design; FIG. 2 is a front view of the design shown in FIG. 1; FIG. 3 is a rear view of the design shown in FIG. 1; FIG. 4 is a left side view of the design shown in FIG. 1; FIG. 5 is a right side view of the design shown in FIG. 1; FIG. 6 is a top view of the design shown in FIG. 1; and, FIG. 7 is a bottom view of the design shown in FIG. 1.

1 Claim, 6 Drawing Sheets



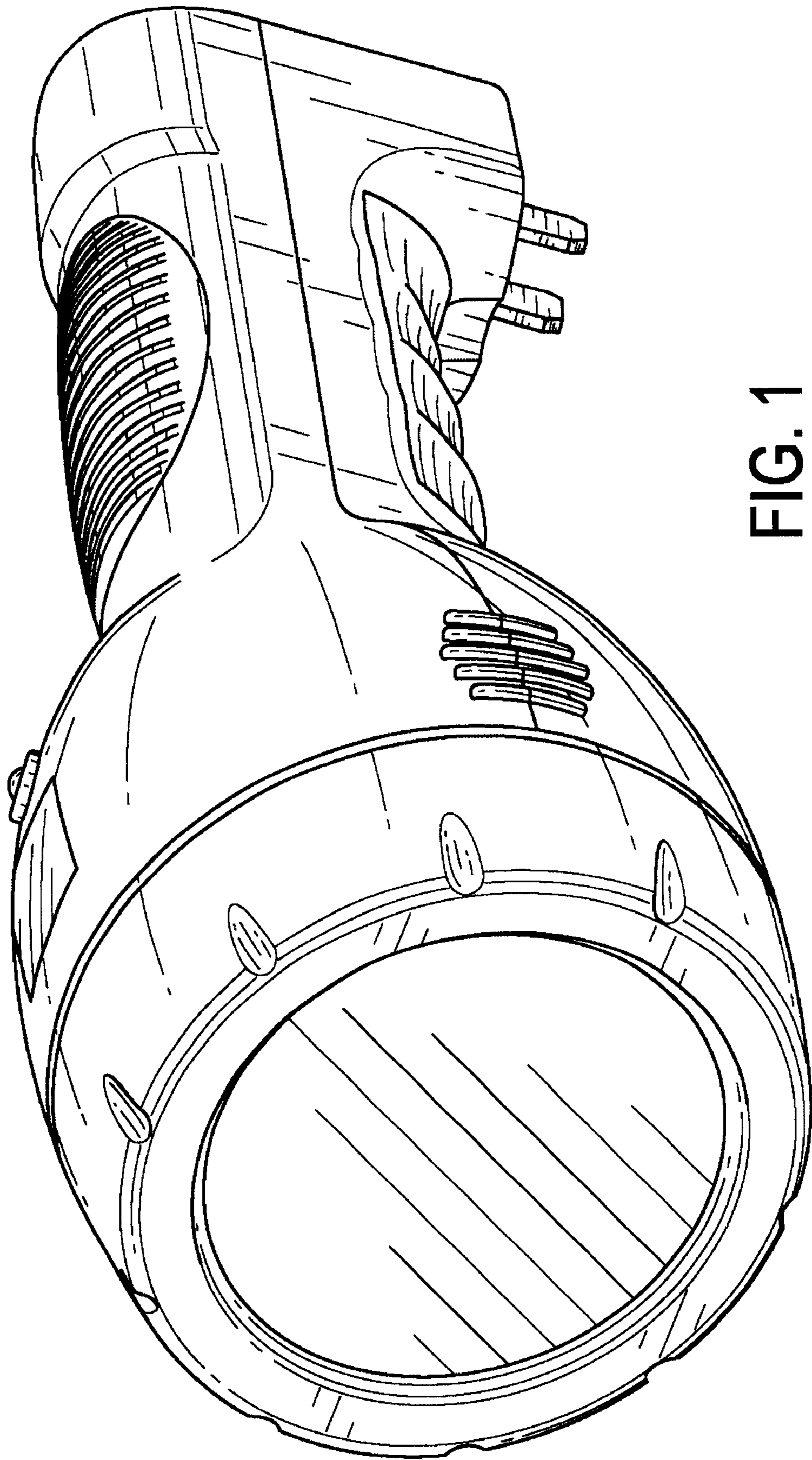


FIG. 1

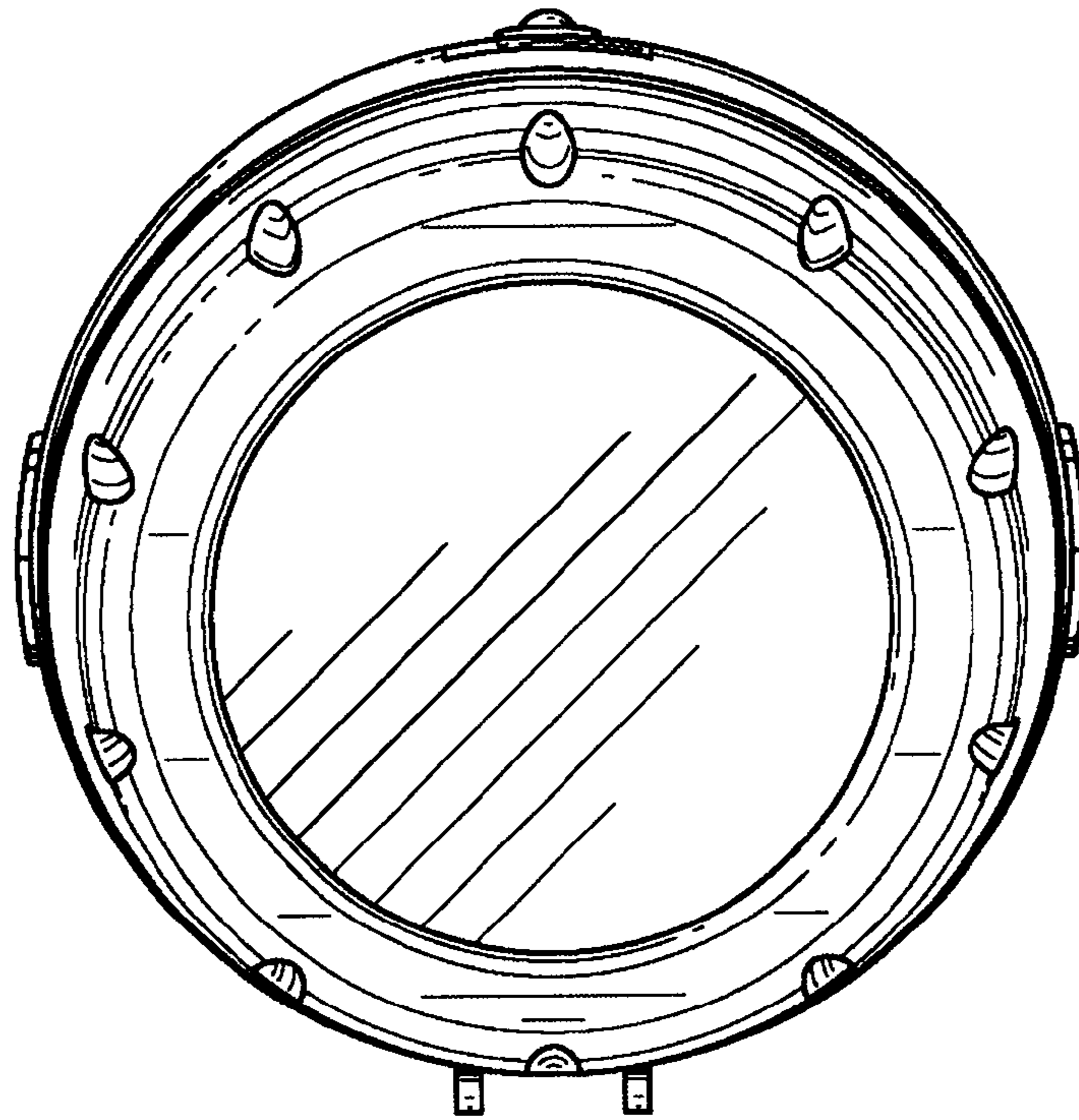


FIG. 2

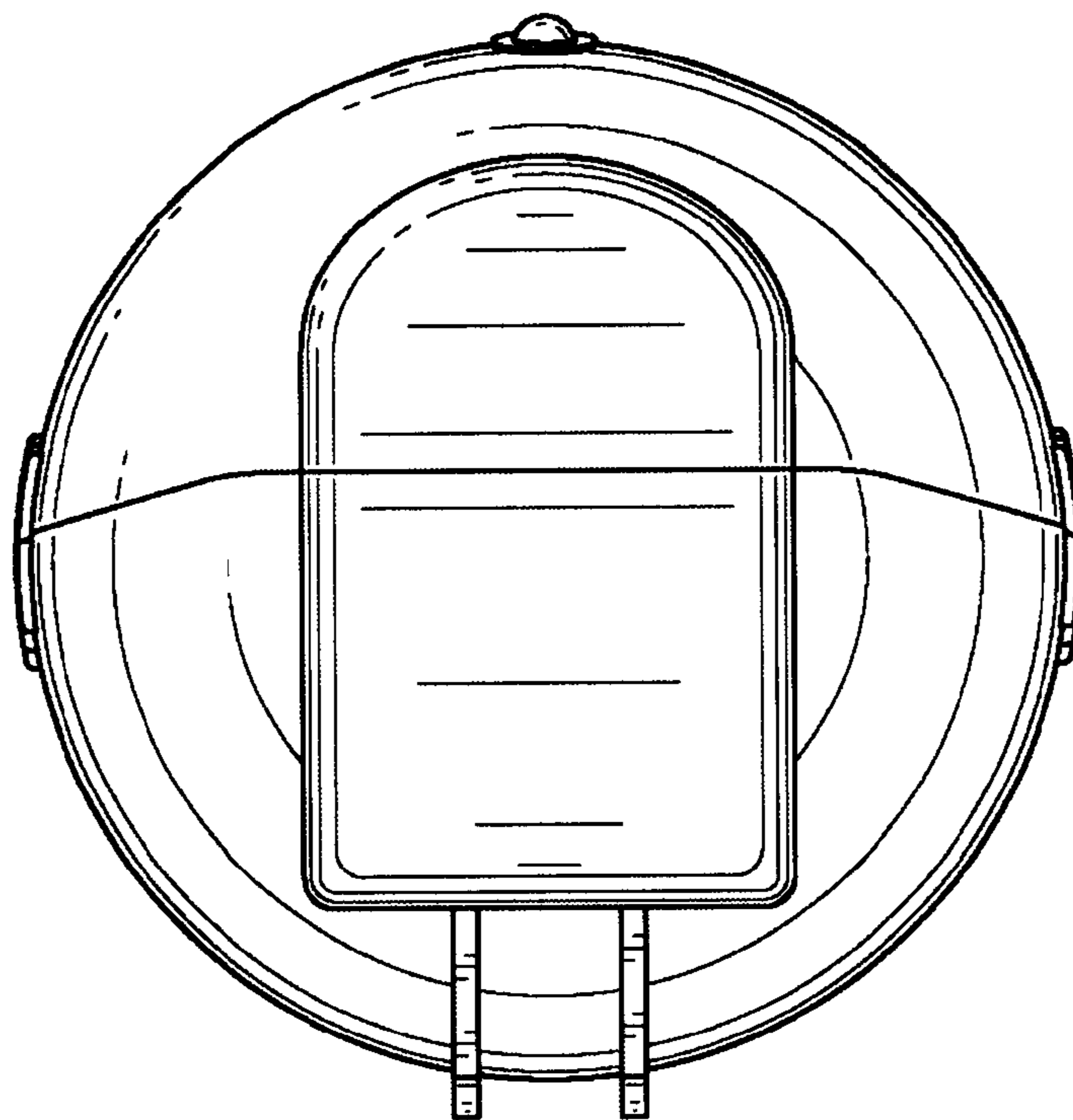


FIG. 3

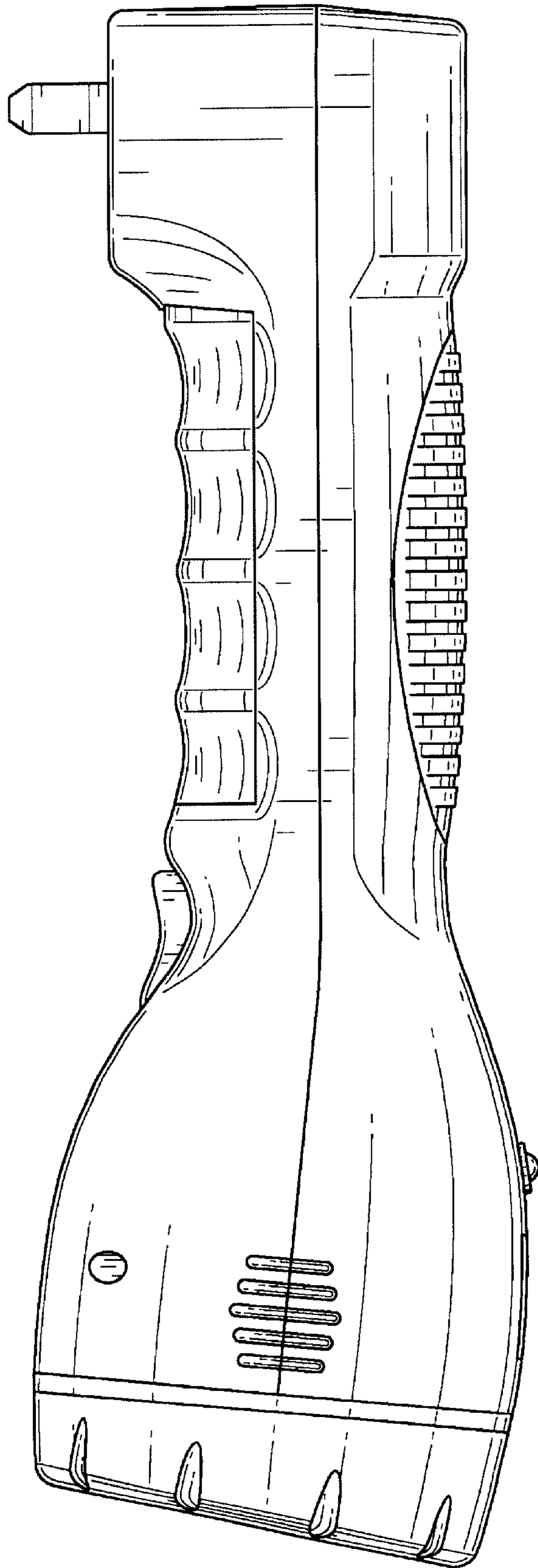


FIG. 4

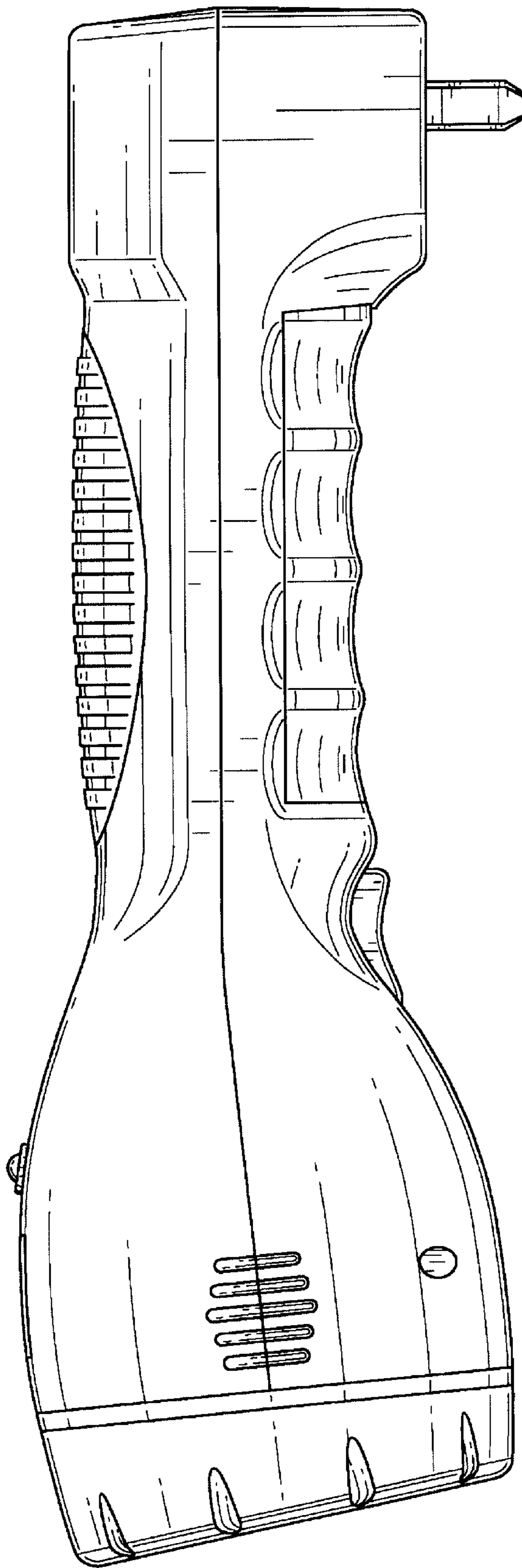


FIG. 5

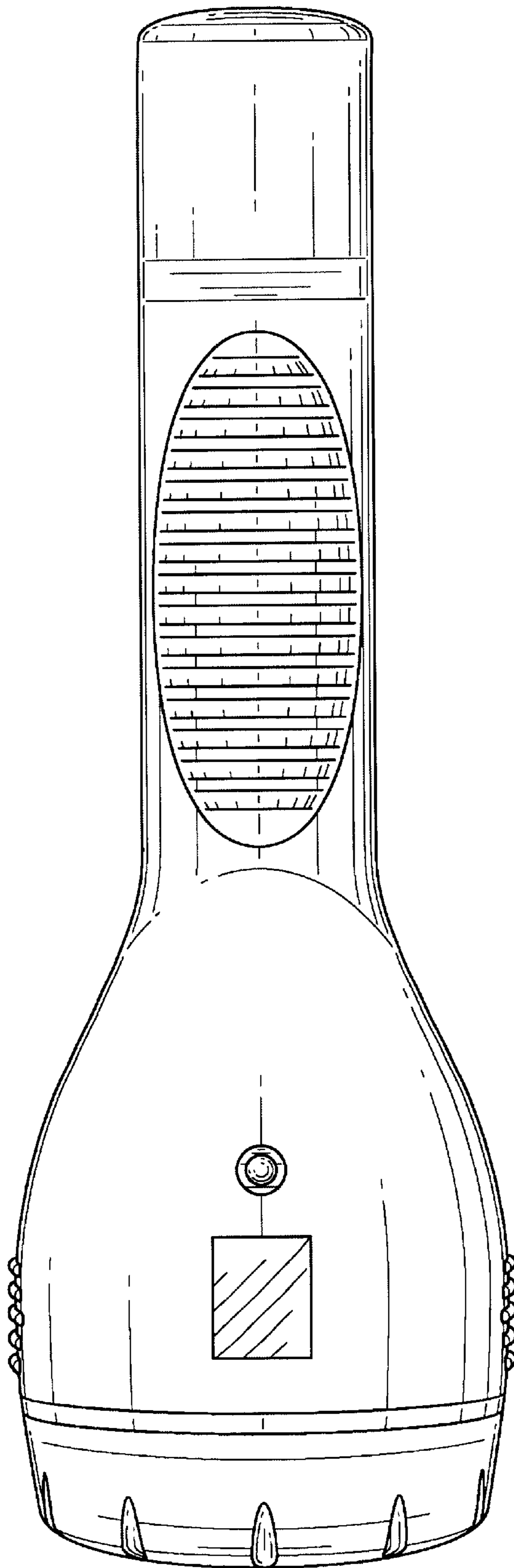


FIG. 6

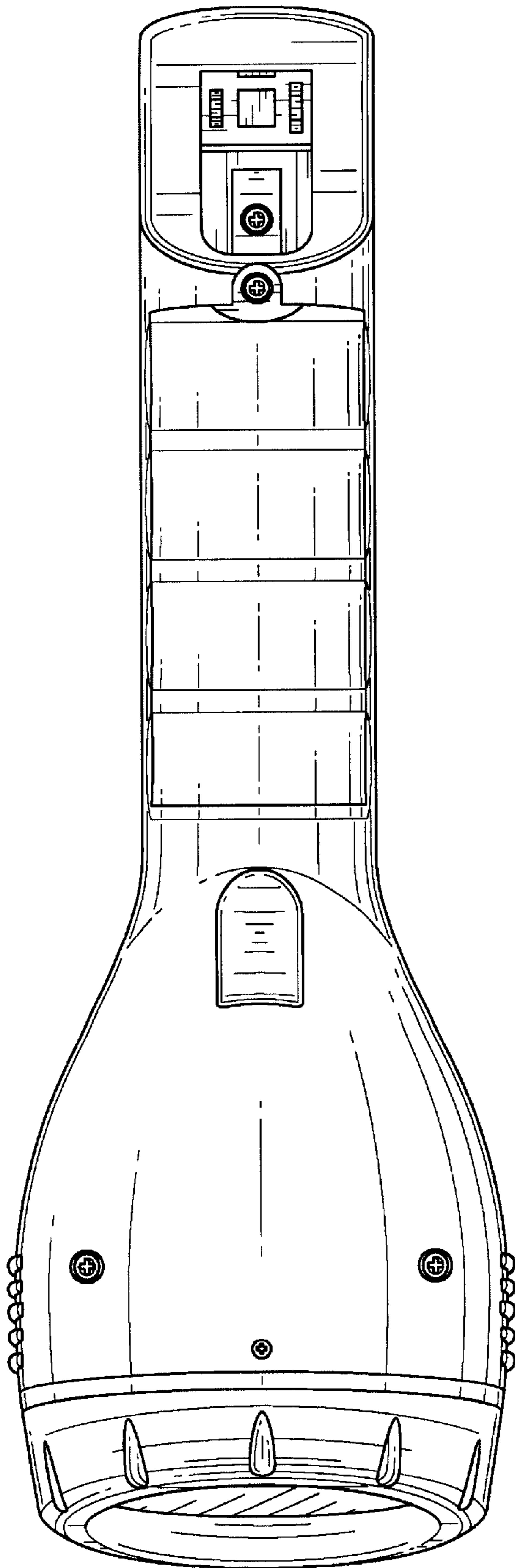


FIG. 7