



US00D481804S

(12) **United States Design Patent**
Pelfrey

(10) **Patent No.:** **US D481,804 S**

(45) **Date of Patent:** **** Nov. 4, 2003**

(54) **TRIM FOR SIDING AND SIDING ACCESSORIES**

(75) **Inventor:** **Paul R. Pelfrey**, Wheelersburg, OH (US)

(73) **Assignee:** **Crane Plastics Company LLC**, Columbus, OH (US)

(**) **Term:** **14 Years**

(21) **Appl. No.:** **29/173,276**

(22) **Filed:** **Dec. 24, 2002**

(51) **LOC (7) Cl.** **25-01**

(52) **U.S. Cl.** **D25/119**

(58) **Field of Search** D25/136, 119, D25/164; 52/716.1, 716.4, 717.6, 718.01, 718.04, 290, 273, 244, 556

(56) **References Cited**

U.S. PATENT DOCUMENTS

D316,299 S 4/1991 Hurlburt D25/119
D342,579 S 12/1993 Mason D25/119

D361,138 S 8/1995 Moore et al. D25/119

D429,009 S * 8/2000 Ginzel D25/136

6,272,797 B1 * 8/2001 Finger 52/718.01

D447,820 S 9/2001 Grace D25/119

D454,962 S 3/2002 Grace D25/119

* cited by examiner

Primary Examiner—Doris Clark

(74) *Attorney, Agent, or Firm*—Standley & Gilcrest LLP

(57) **CLAIM**

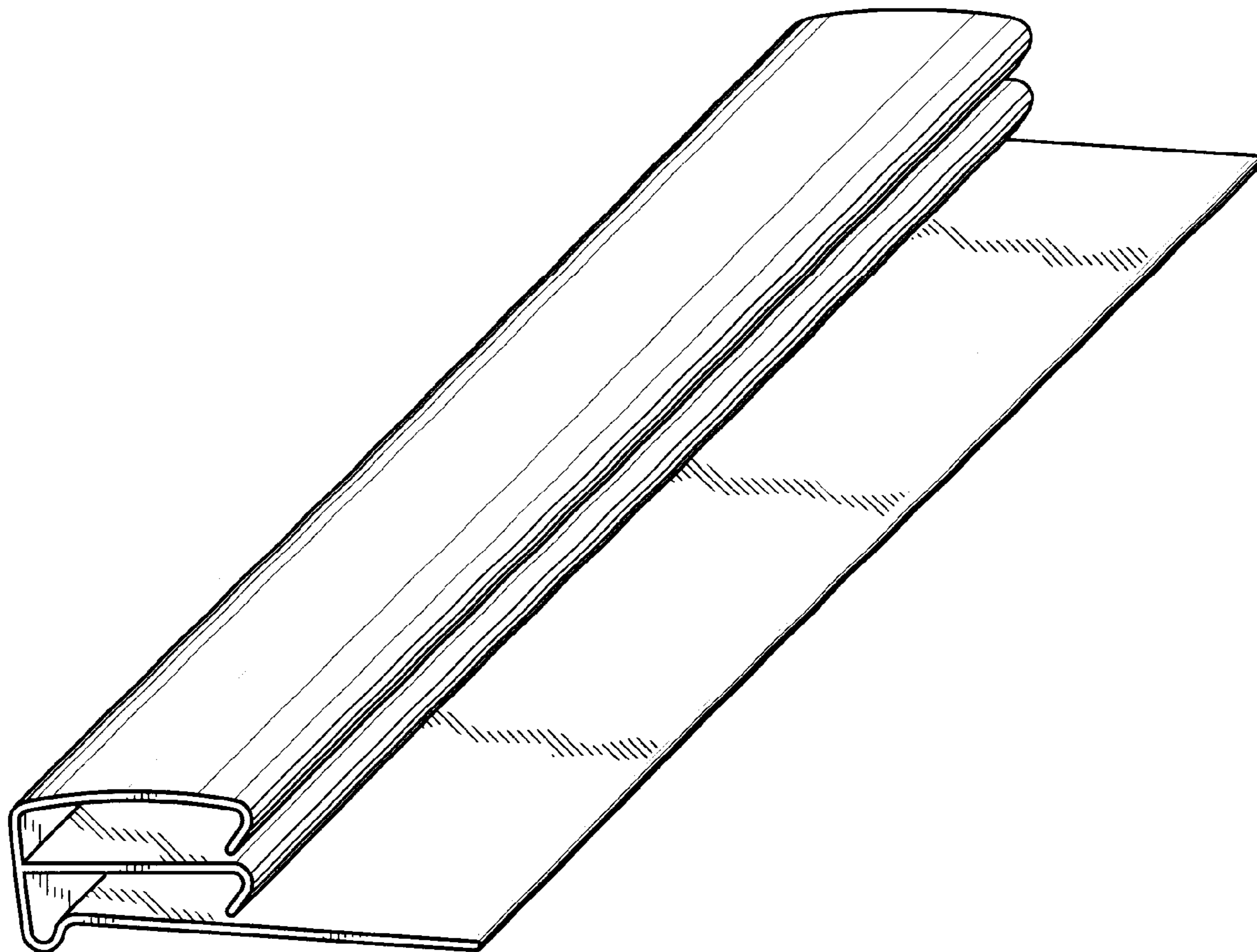
The ornamental design for the trim for siding and siding accessories, as shown and described.

DESCRIPTION

FIG. 1 is a perspective view of a first embodiment of the trim for siding and siding accessories, the opposite side being a mirror image thereof (the trim may have indefinite length); and,

FIG. 2 is a perspective view of a second embodiment of the trim for siding and siding accessories, the opposite side being a mirror image thereof (the trim may have indefinite length).

1 Claim, 2 Drawing Sheets



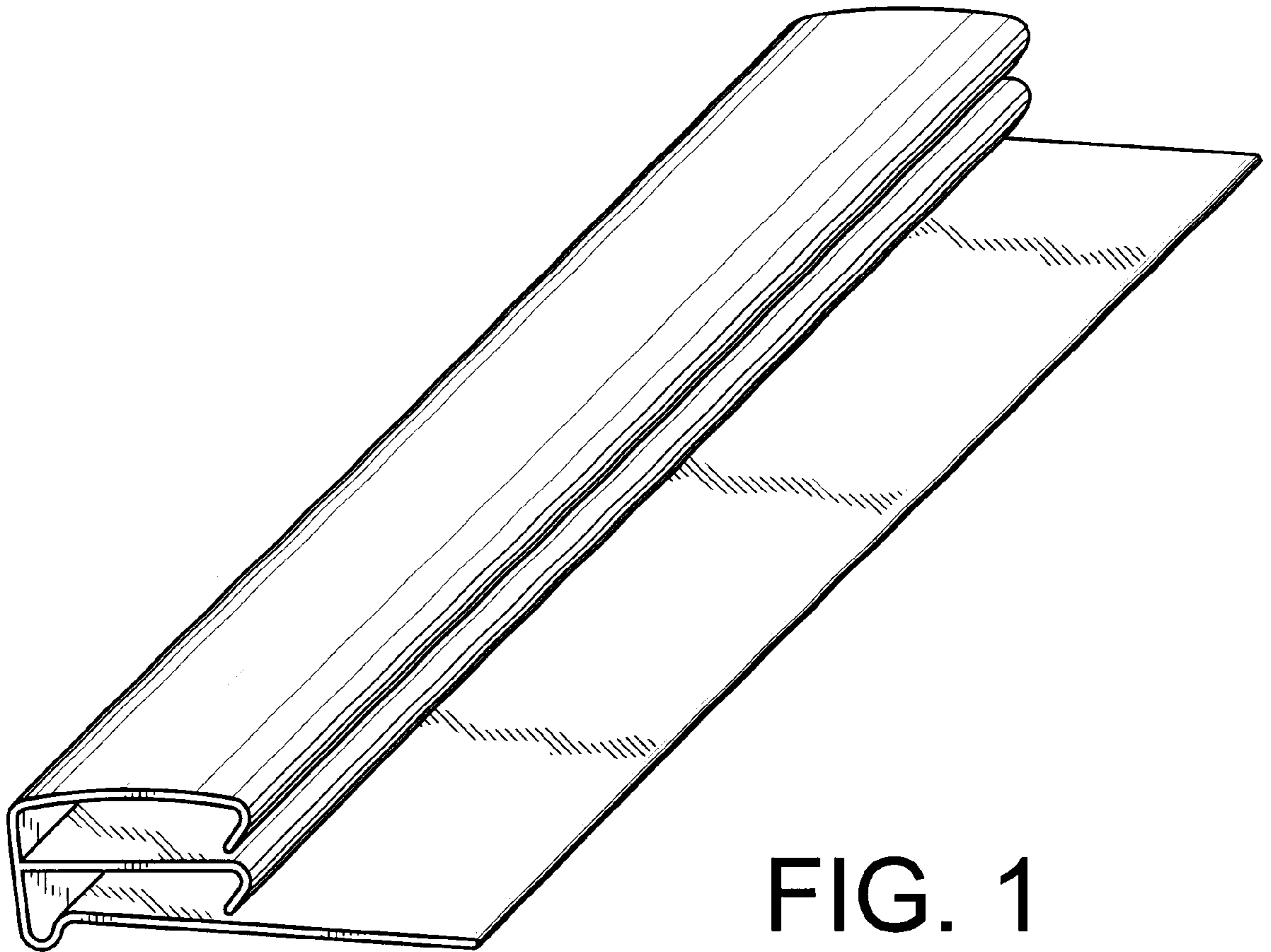


FIG. 1

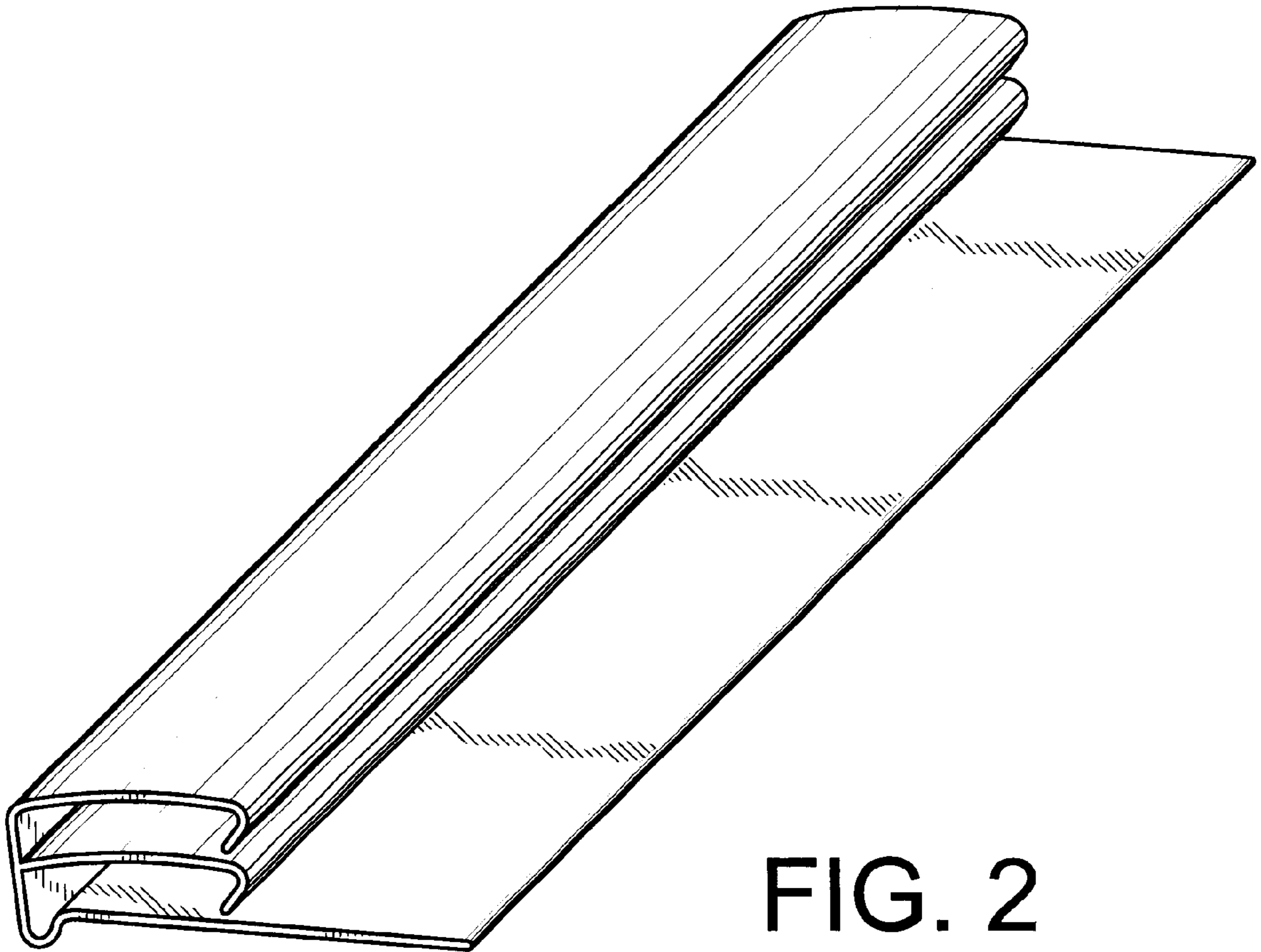


FIG. 2