



US00D481801S

(12) **United States Design Patent**
Whitley

(10) **Patent No.:** **US D481,801 S**

(45) **Date of Patent:** **** Nov. 4, 2003**

(54) **CAP ASSEMBLY FOR A ROLLER BOTTLE**

(75) **Inventor:** **Kenneth W. Whitley, Raleigh, NC (US)**

(73) **Assignee:** **Becton, Dickinson and Company, Franklin Lakes, NJ (US)**

(**) **Term:** **14 Years**

(21) **Appl. No.:** **29/167,769**

(22) **Filed:** **Sep. 20, 2002**

(51) **LOC (7) Cl. 09-07**

(52) **U.S. Cl. D24/224; D9/452; D9/453; D9/454; D9/435**

(58) **Field of Search D24/224, 121, D24/129; D9/454, 435, 452, 453; 435/296.1, 298.1, 298.2, 299.2, 304.01; 215/316, 261, 201, 902, 329, 341**

(56) **References Cited**

U.S. PATENT DOCUMENTS

D318,804 S * 8/1991 Ochs D9/435

5,358,872 A * 10/1994 Mussi et al. 435/296
D383,851 S * 9/1997 Wong D24/224
D433,149 S * 10/2000 Fassbind et al. D24/224

* cited by examiner

Primary Examiner—Louis S. Zarfes
Assistant Examiner—Gregory Andoll
(74) *Attorney, Agent, or Firm*—Nanette S. Thomas

(57) **CLAIM**

The ornamental design for a cap assembly for a roller bottle, substantially as shown and described.

DESCRIPTION

FIG. 1 is a top perspective view of the cap assembly for a roller bottle of the present invention;
FIG. 2 is a bottom perspective showing of the cap assembly of FIG. 1; and,
FIG. 3 is a cross-sectional showing of the cap assembly of FIG. 1.

1 Claim, 2 Drawing Sheets

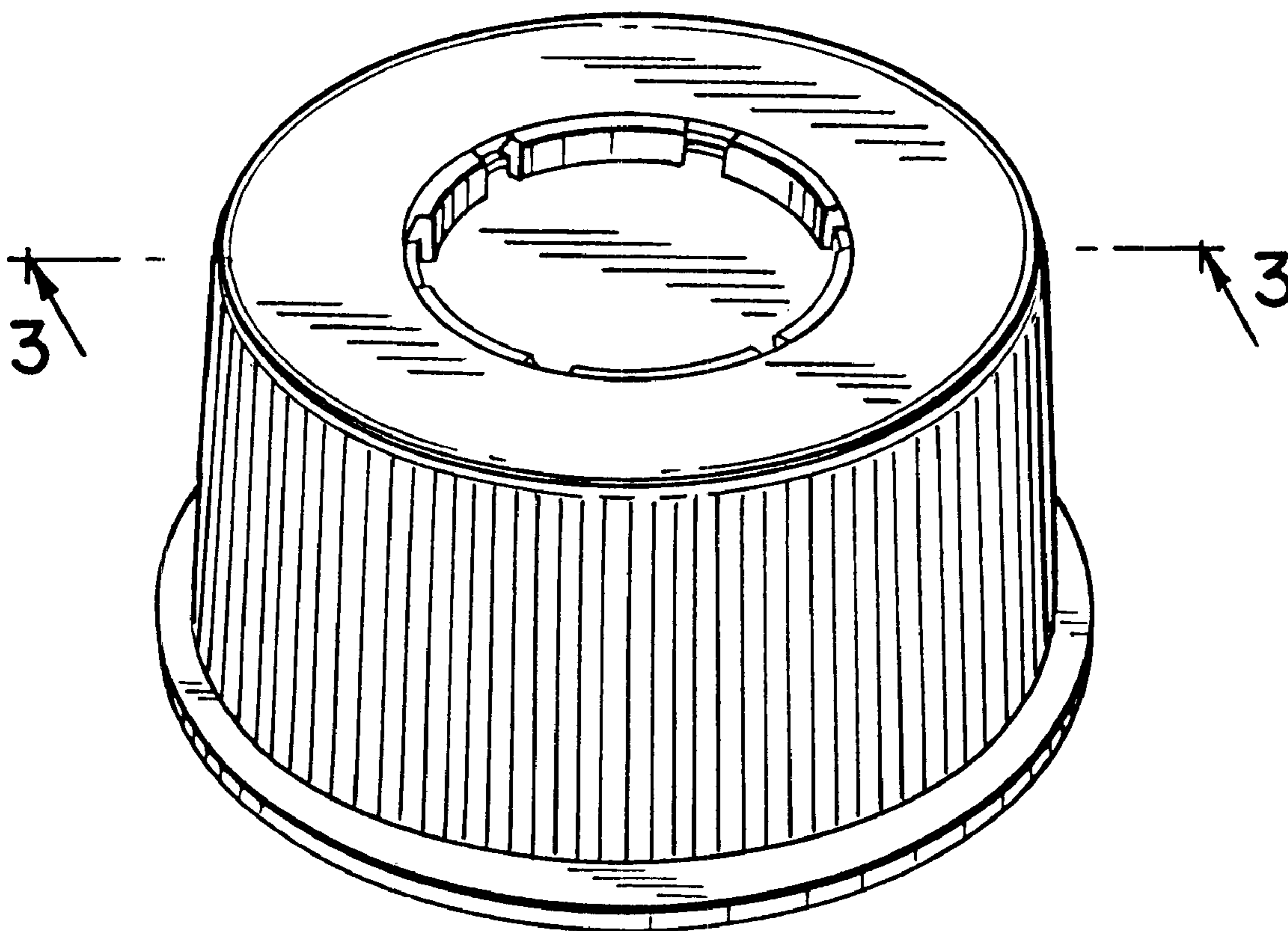


FIG. 1

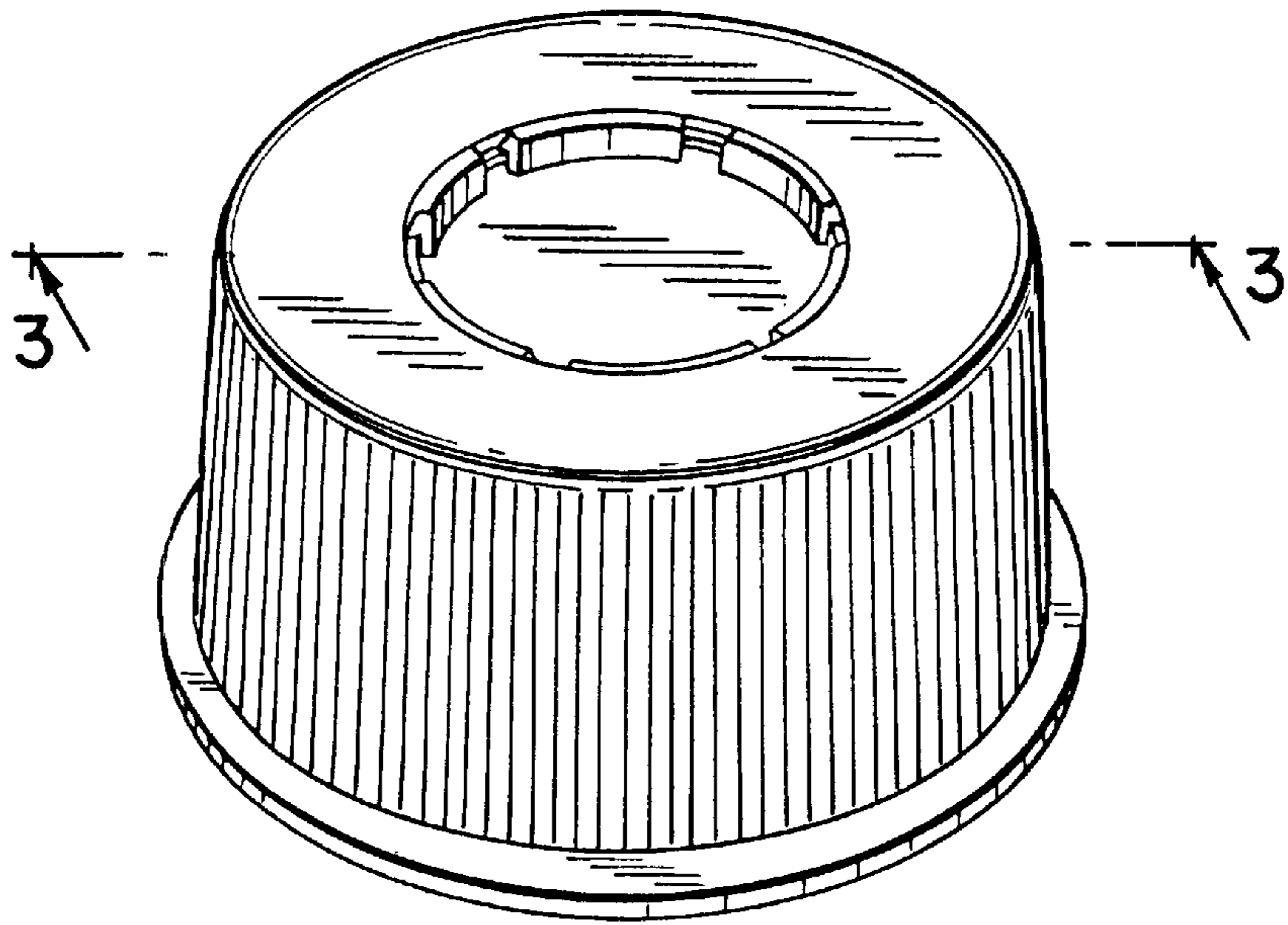
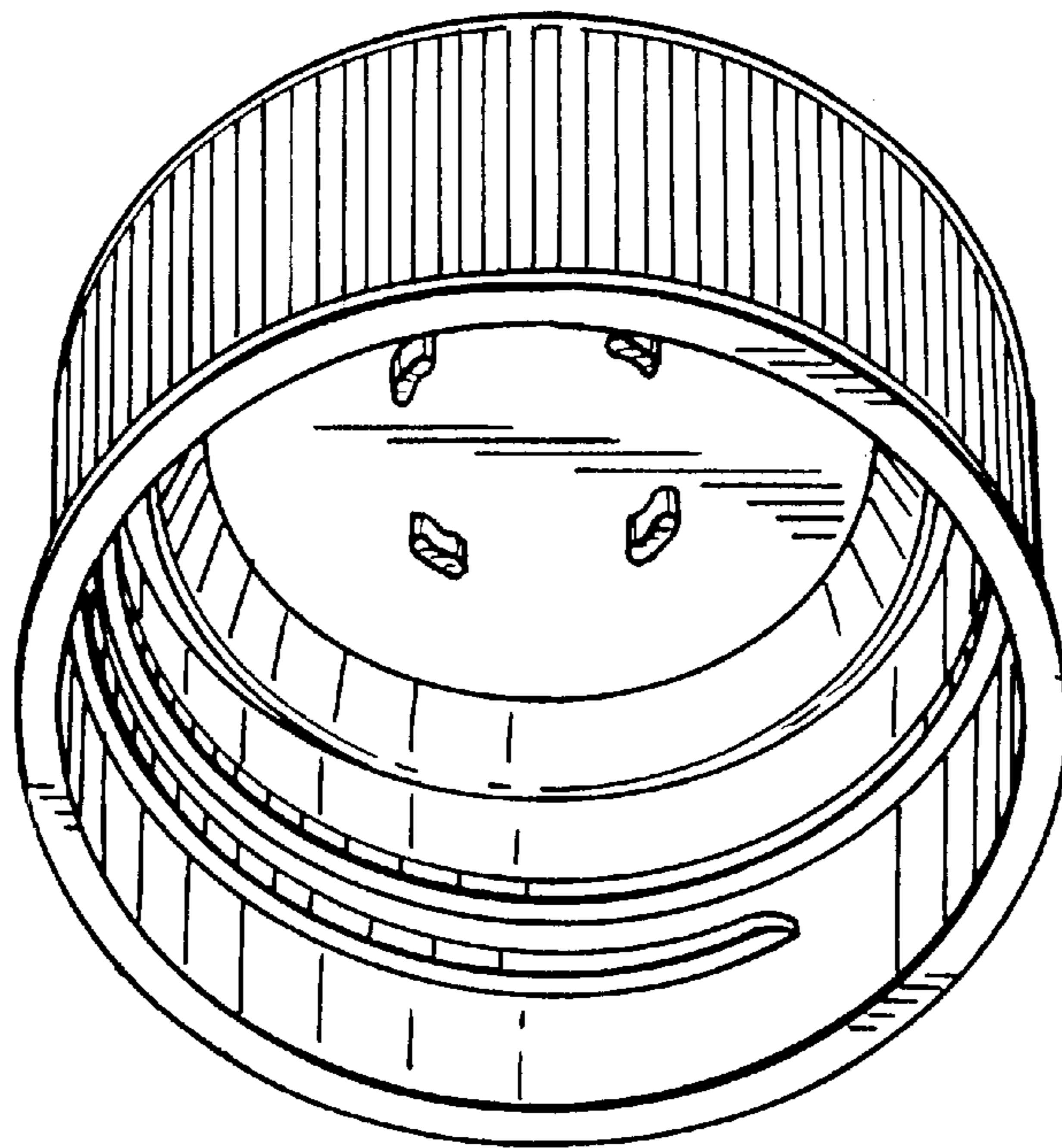


FIG. 2



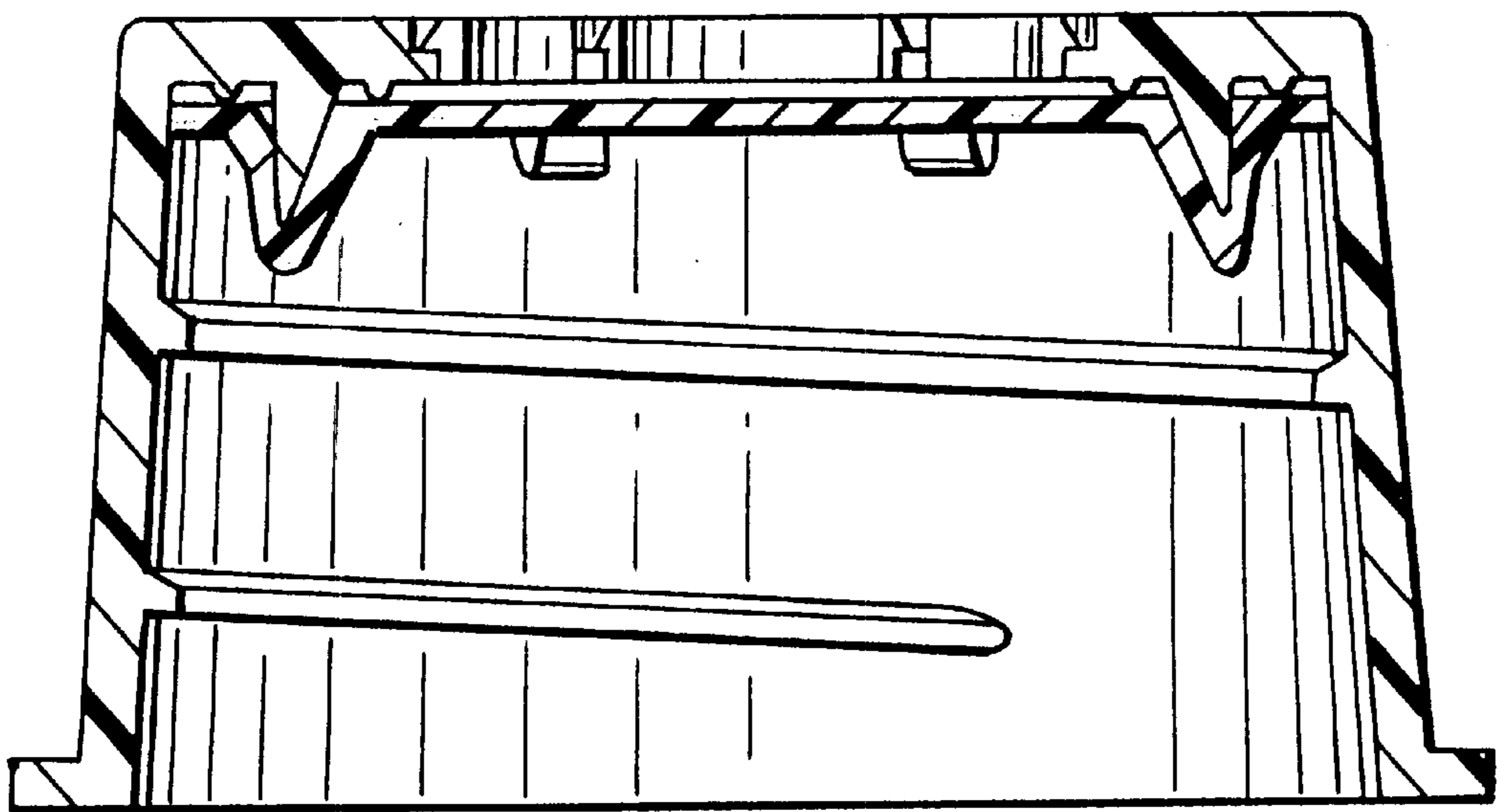


FIG. 3