



US00D481800S

(12) **United States Design Patent**
Niedbala et al.

(10) **Patent No.:** **US D481,800 S**

(45) **Date of Patent:** **** Nov. 4, 2003**

(54) **TEST DEVICE**

(75) **Inventors:** **R. Sam Niedbala**, Allentown, PA (US);
John W. Scott, Perkasié, PA (US);
Peter A. Bourdelle, Allentown, PA
(US); **Hans H. Feindt**, Allentown, PA
(US)

(73) **Assignee:** **Orasure Technologies, Inc.**,
Bethlehem, PA (US)

(**) **Term:** **14 Years**

(21) **Appl. No.:** **29/176,072**

(22) **Filed:** **Feb. 19, 2003**

D299,860 S	2/1989	Fan et al.
4,857,453 A	8/1989	Ullman et al.
4,943,522 A	7/1990	Eisinger et al.
4,980,298 A	12/1990	Blake et al.
5,051,237 A	9/1991	Grenner et al.
D324,426 S	3/1992	Fan et al.
D328,135 S	7/1992	Fan et al.
5,160,704 A	11/1992	Schlüter
5,182,216 A	1/1993	Clayton et al.
5,207,984 A	5/1993	Kheiri
5,211,182 A	5/1993	Deutsch et al.
5,256,372 A	10/1993	Brooks et al.
D341,663 S	11/1993	Coulter
5,260,031 A	11/1993	Seymour
D342,575 S	12/1993	Ashihara et al.
5,268,148 A	12/1993	Seymour

(List continued on next page.)

Related U.S. Application Data

(62) Division of application No. 29/167,180, filed on Sep. 11, 2002, now Pat. No. Des. 474,278, which is a division of application No. 29/148,787, filed on Sep. 28, 2001, now Pat. No. Des. 467,665.

(51) **LOC (7) Cl.** **24-02**

(52) **U.S. Cl.** **D24/223; D24/216; D24/224;**
D24/225

(58) **Field of Search** D24/216, 224,
D24/223, 225; 422/58, 61, 102, 57; 435/970,
971, 288.1, 287.2, 287.3, 305.1, 305.2;
600/583, 584; D10/81

(56) **References Cited**

U.S. PATENT DOCUMENTS

4,014,322 A	3/1977	Shah
4,580,577 A	4/1986	O'Brien et al.
D296,926 S	7/1988	Heasley
D299,859 S	2/1989	Fan et al.

Primary Examiner—Ian Simmons

(74) *Attorney, Agent, or Firm*—Nixon Peabody LLP

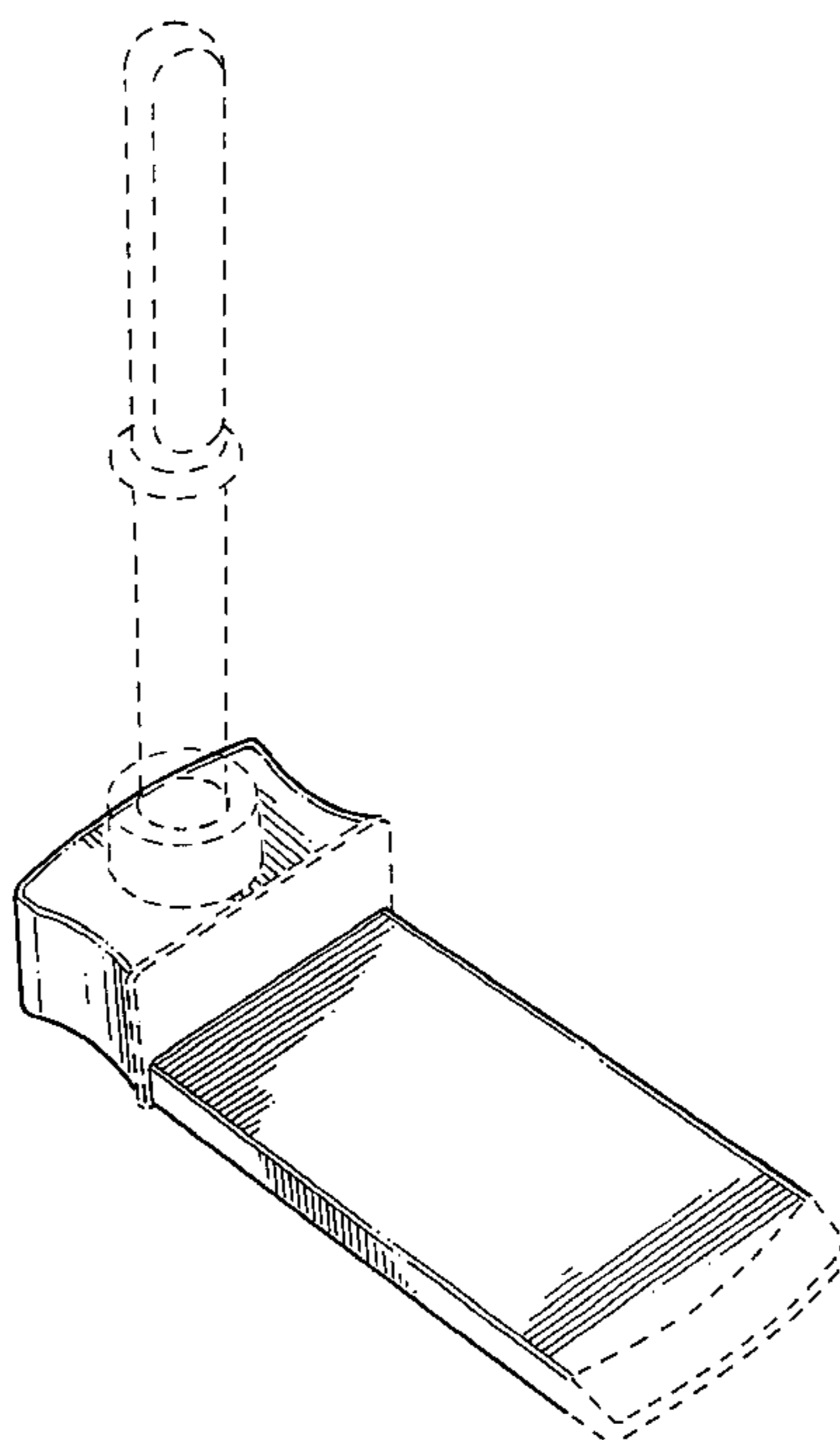
(57) **CLAIM**

The ornamental design for a test device, as shown and described.

DESCRIPTION

FIG. 1 is a perspective view of a test device showing our new design, the broken line showing is for illustrative purposes only and forms no part of the claimed design; FIG. 2 is a front elevational view thereof; FIG. 3 is a top plan view thereof; FIG. 4 is a bottom plan view thereof; FIG. 5 is a rear elevational view thereof; and, FIG. 6 is a right side elevation view thereof, the opposite side elevational view being a mirror image thereof.

1 Claim, 4 Drawing Sheets



US D481,800 S

Page 2

U.S. PATENT DOCUMENTS

5,279,294 A	1/1994	Anderson et al.	5,824,268 A	10/1998	Bernstein et al.
D348,522 S	7/1994	Groothuizen	5,830,410 A	11/1998	Thieme et al.
5,356,785 A	10/1994	McMahon et al.	D403,975 S	1/1999	Douglas et al.
5,376,337 A	12/1994	Seymour	D405,539 S	2/1999	Poissant et al.
5,380,492 A	1/1995	Seymour	5,965,453 A	10/1999	Skiffington et al.
5,393,496 A	2/1995	Seymour	D420,141 S	2/2000	Casterlin
5,431,880 A	7/1995	Kramer	6,027,943 A	2/2000	Kang et al.
D361,842 S	8/1995	Nazareth et al.	D427,314 S	6/2000	Herbst et al.
D365,998 S	1/1996	Groothuizen et al.	D431,867 S	10/2000	Maynard et al.
5,494,646 A	2/1996	Seymour	D432,244 S	10/2000	Anderson et al.
D369,868 S	5/1996	Nazareth et al.	D438,631 S	3/2001	Miller
D379,662 S	6/1997	Pearson et al.	D438,632 S	3/2001	Miller
D379,663 S	6/1997	Pearson et al.	D438,633 S	3/2001	Miller
5,656,502 A	8/1997	MacKay et al.	6,267,722 B1	7/2001	Anderson et al.
D390,667 S	2/1998	Nazareth	6,271,045 B1	8/2001	Douglas et al.
D391,373 S	2/1998	Shartle	D456,082 S	4/2002	Bouse et al.
D394,317 S	5/1998	Carp	6,375,896 B1	4/2002	Wuske et al.
5,785,044 A	7/1998	Meador et al.	6,394,952 B1	5/2002	Anderson et al.
5,788,928 A	8/1998	Carey et al.	6,468,474 B2 *	10/2002	Bachand et al. 422/58
5,792,424 A	8/1998	Homberg et al.			

* cited by examiner

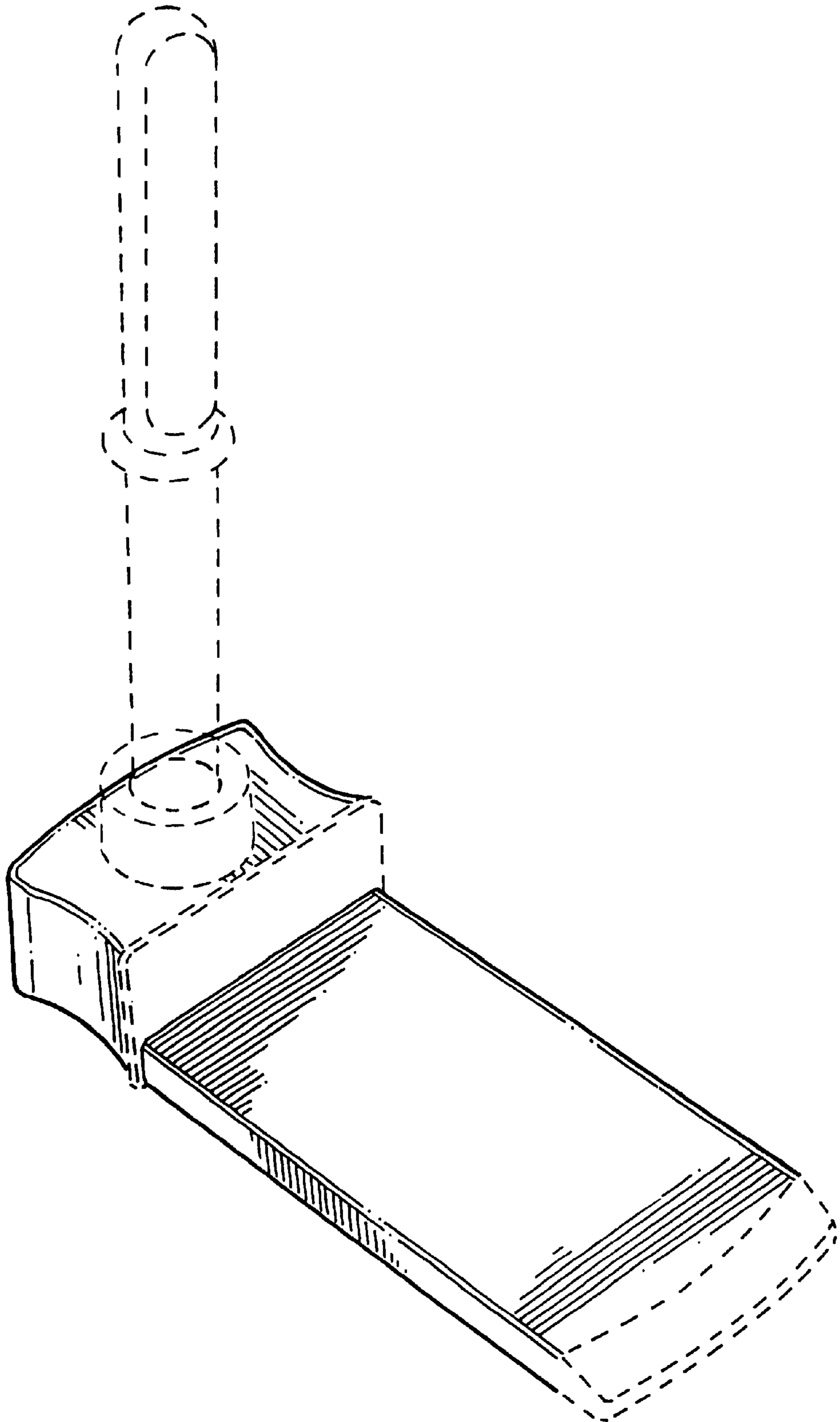


FIG. 1

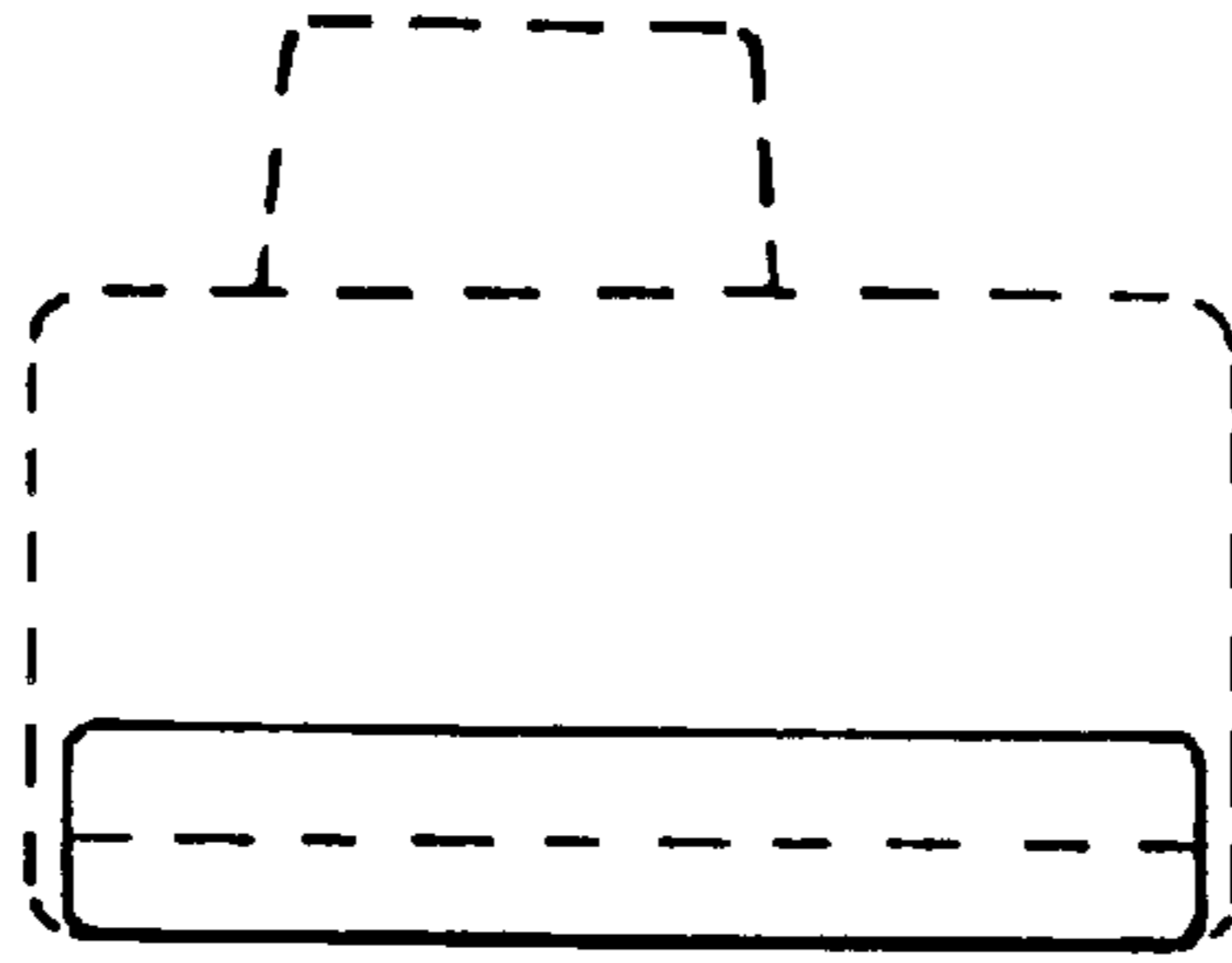


FIG. 2

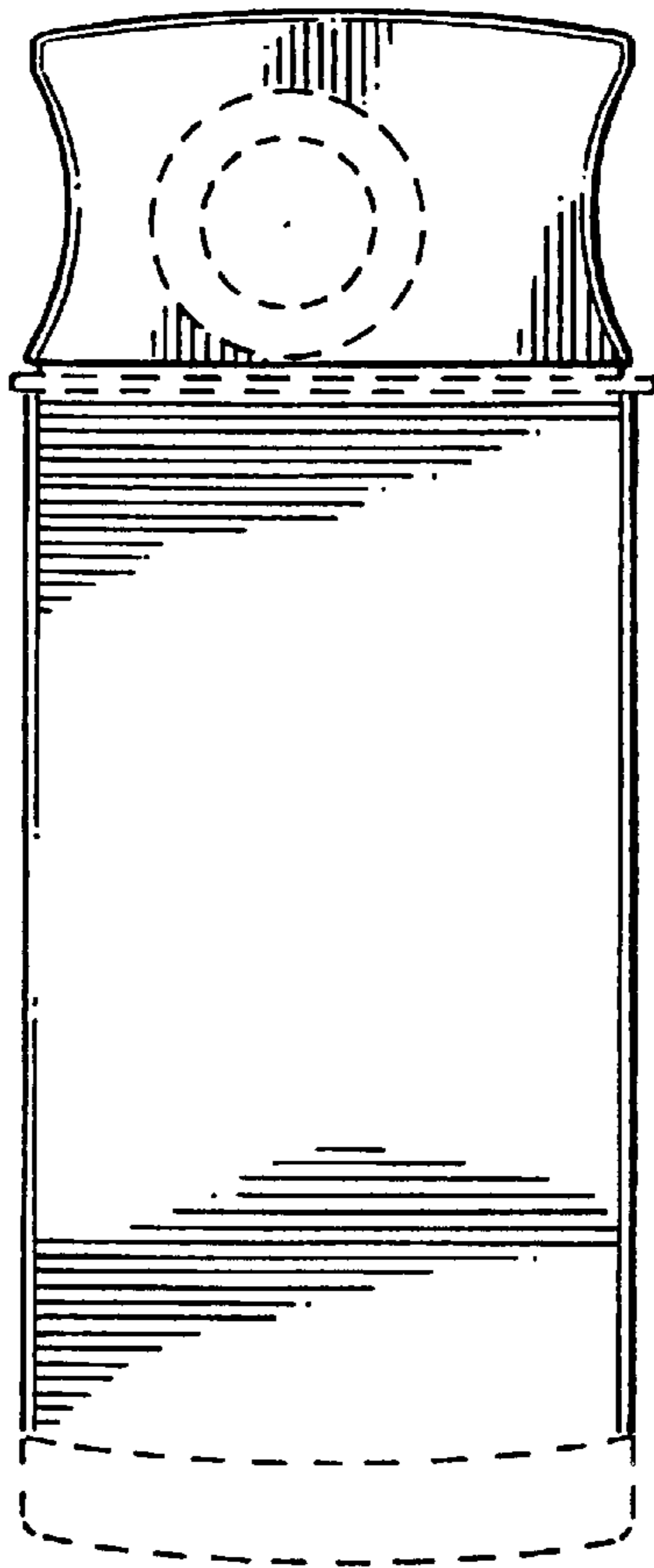


FIG. 3

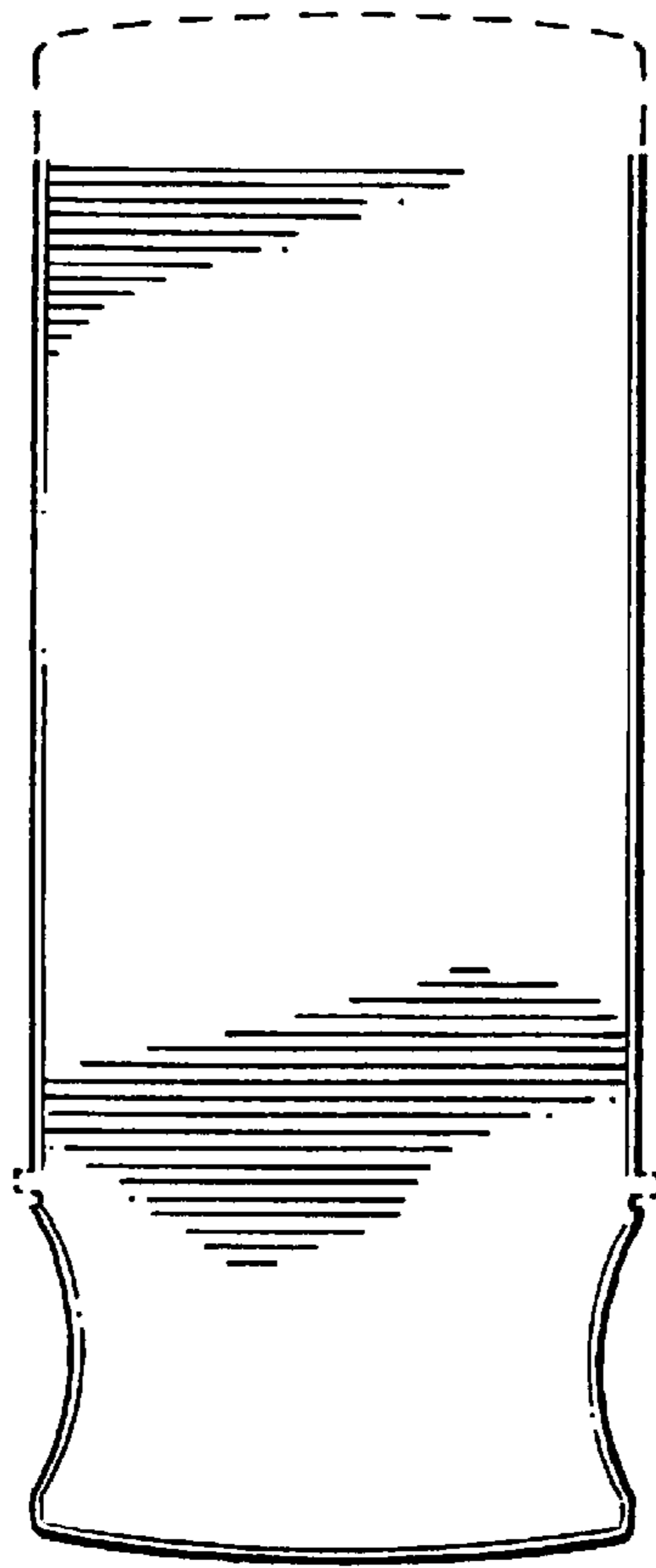


FIG. 4

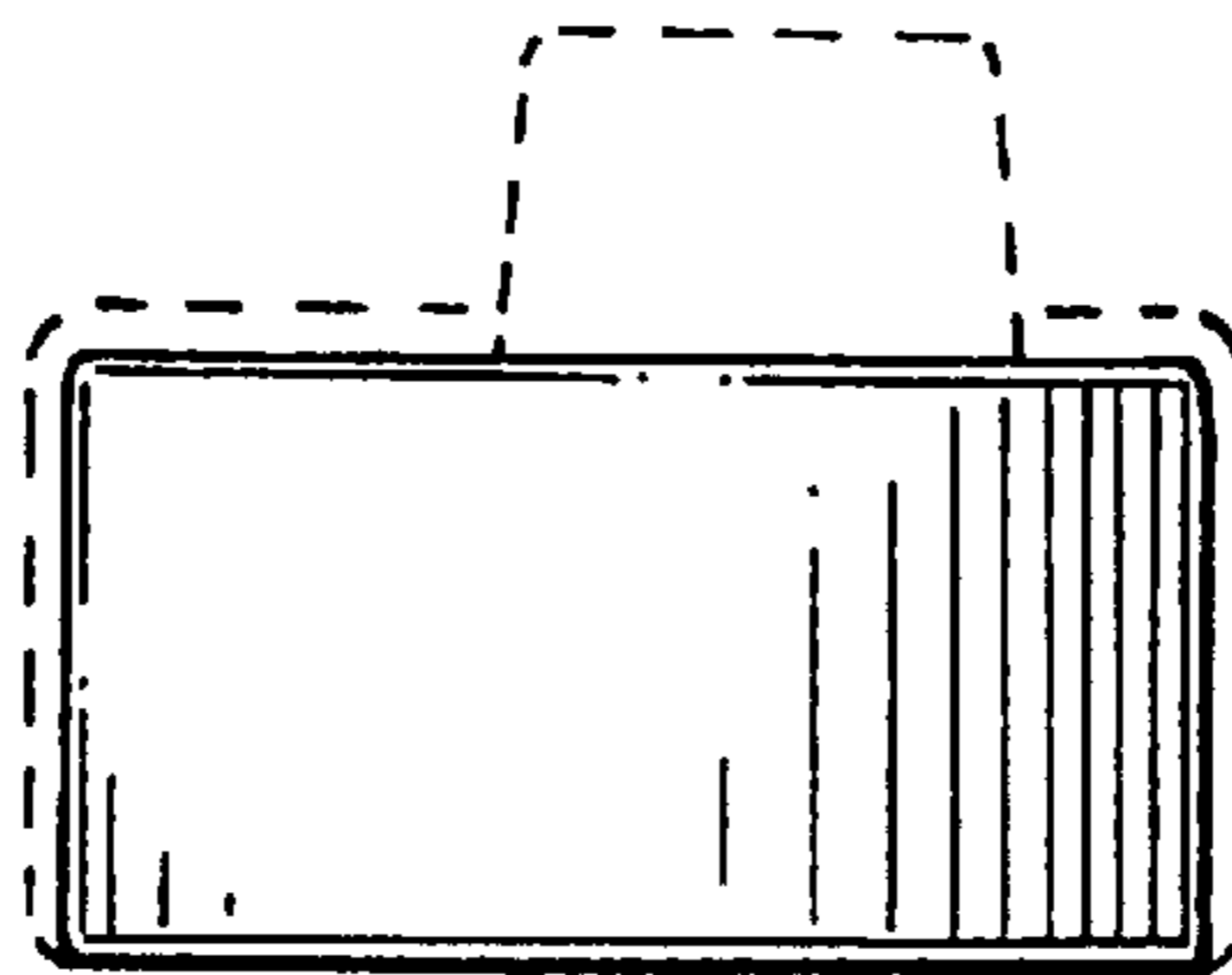


FIG. 5



FIG. 6