



US00D481798S

(12) **United States Design Patent**  
**Slutterback et al.**

(10) **Patent No.:** **US D481,798 S**  
(45) **Date of Patent:** **\*\* Nov. 4, 2003**

(54) **NIGHT FOOT SPLINT**

(75) Inventors: **E. Gerald Slutterback**, Coral Springs, FL (US); **Rhonda Machin**, Weston, FL (US); **Daniel J. Bozza**, Coral Springs, FL (US)

(73) Assignee: **FLA Orthopedics, Inc.**, Miramar, FL (US)

(\*\*) Term: **14 Years**

(21) Appl. No.: **29/177,120**

(22) Filed: **Mar. 4, 2003**

(51) **LOC (7) Cl.** ..... **24-04**

(52) **U.S. Cl.** ..... **D24/192**

(58) **Field of Search** ..... D24/192, 190;  
602/27, 28, 23, 65, 5, 6

(56) **References Cited**

**U.S. PATENT DOCUMENTS**

- 5,298,013 A \* 3/1994 Lonardo ..... 602/28
- 5,330,419 A \* 7/1994 Toronto et al. .... 602/27
- D388,174 S \* 12/1997 Stano ..... D24/192
- D395,514 S \* 6/1998 Stano ..... D24/192
- 5,776,090 A 7/1998 Bergmann et al.
- 5,799,659 A 9/1998 Stano
- 5,887,591 A 3/1999 Powell et al.

- 5,897,520 A 4/1999 Gerig
- 6,019,741 A 2/2000 Prieskorn
- 6,110,078 A 8/2000 Dyer
- D434,504 S 11/2000 Miller
- D435,294 S \* 12/2000 Pior et al. .... D24/192
- 6,267,742 B1 7/2001 Krivosha et al.
- 6,361,514 B1 3/2002 Brown et al.

\* cited by examiner

*Primary Examiner*—Stella Reid

(74) *Attorney, Agent, or Firm*—Dougherty, Clements & Hofer

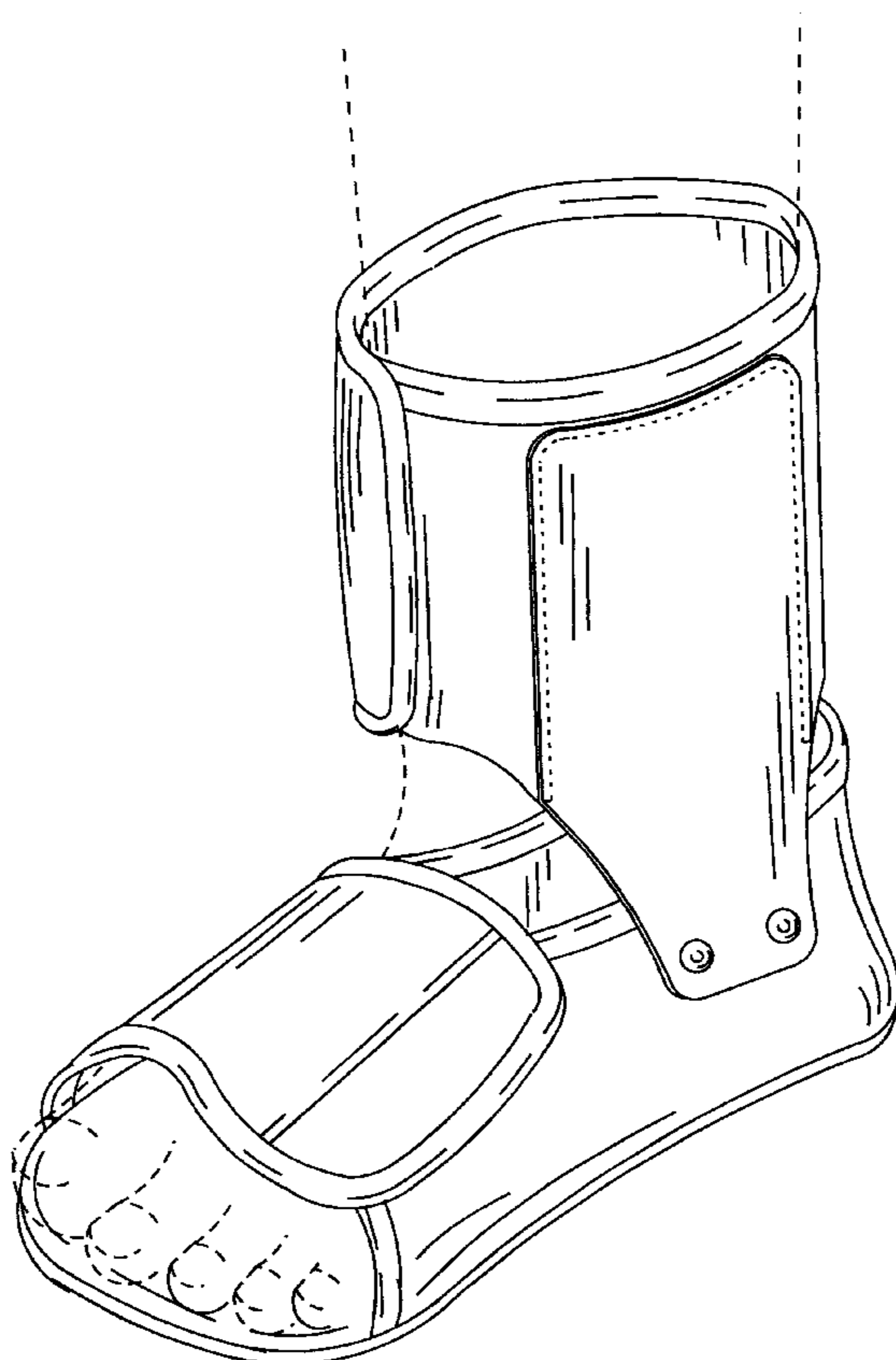
(57) **CLAIM**

The ornamental design for a night foot splint, as shown and described.

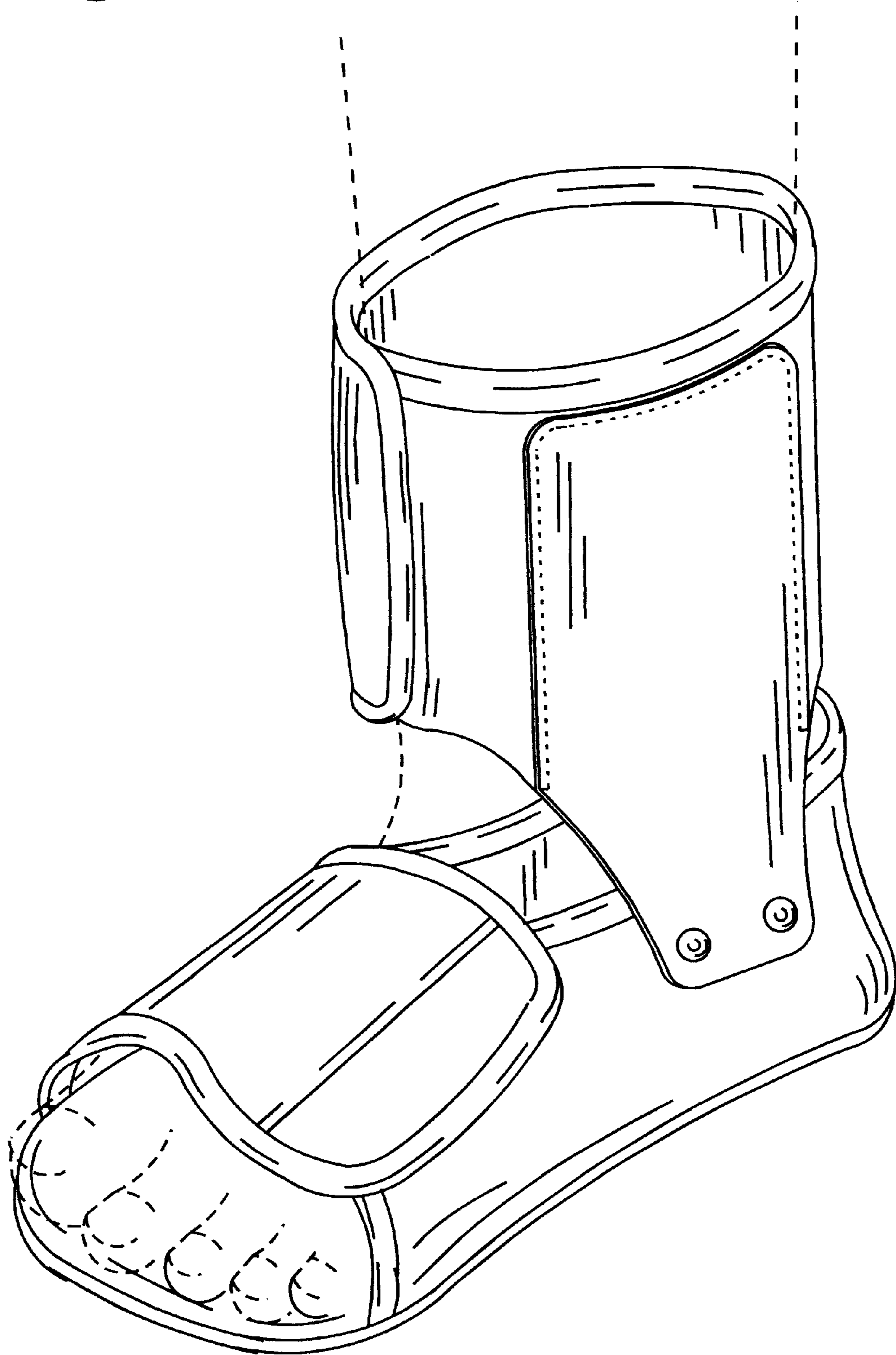
**DESCRIPTION**

FIG. 1 is a perspective view of a night foot splint, in use condition; the broken line showing being for illustrative purposes only and forming no part of the claimed design; FIG. 2 is a top view thereof; FIG. 3 is a right side view thereof; FIG. 4 is a front view thereof; FIG. 5 is a left side view thereof; FIG. 6 is a back view thereof; and, FIG. 7 is a bottom view thereof.

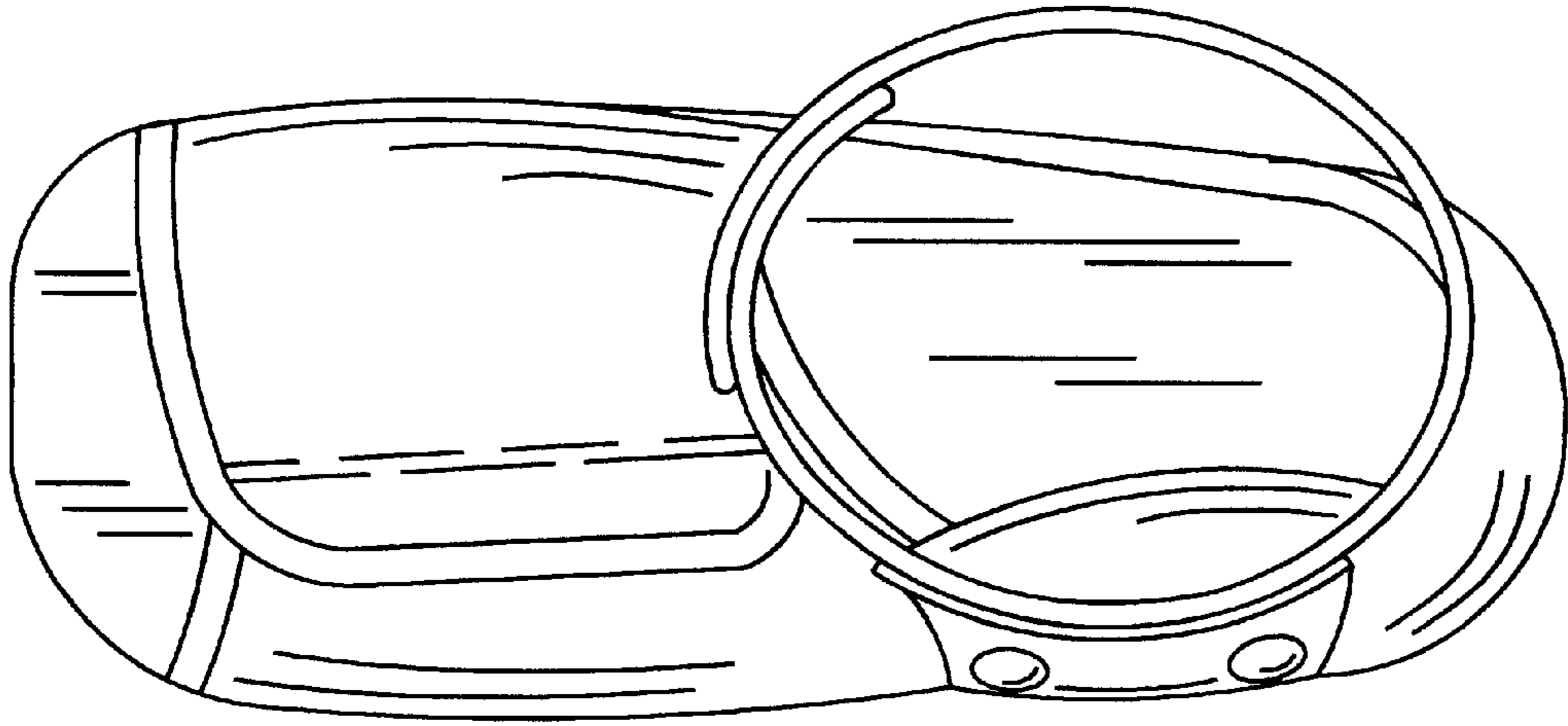
**1 Claim, 4 Drawing Sheets**



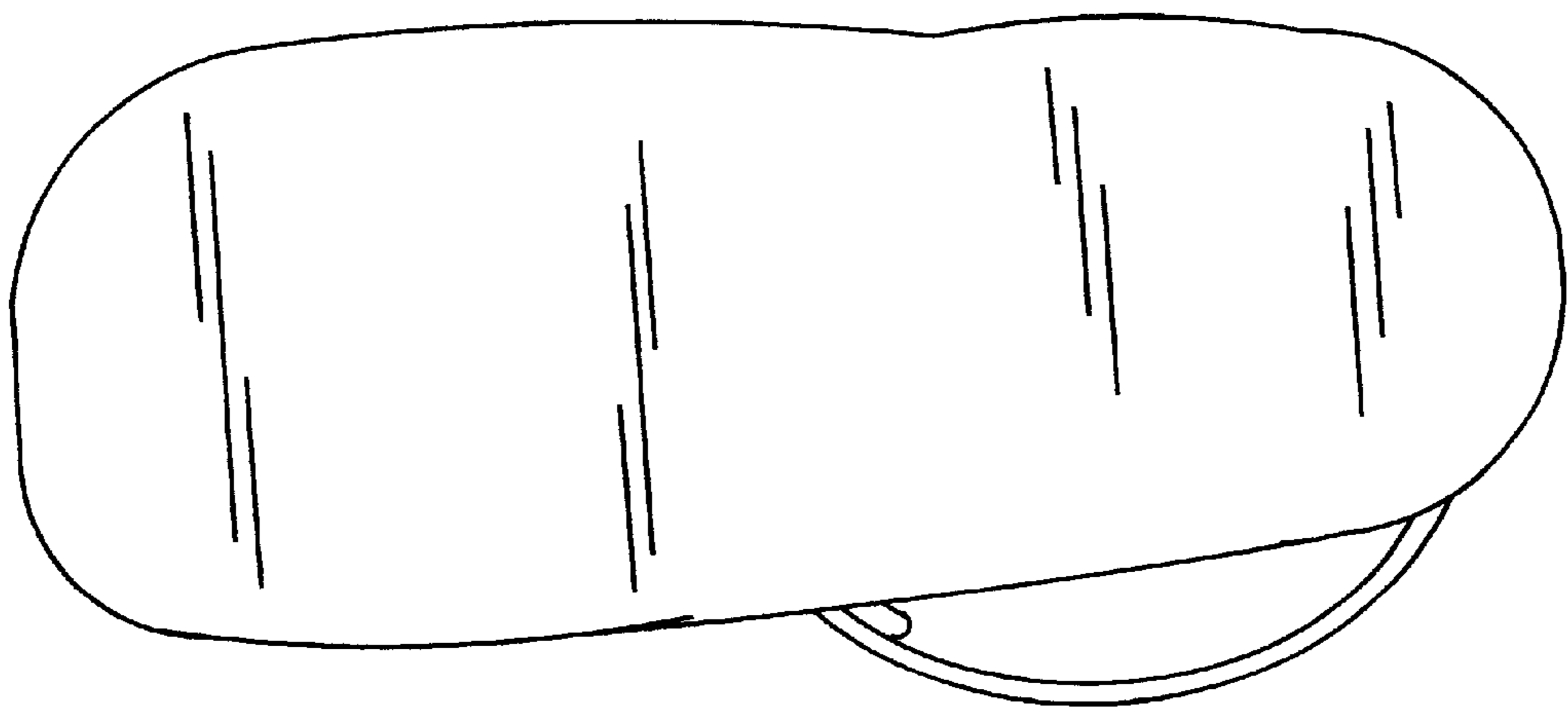
*Fig. 1*



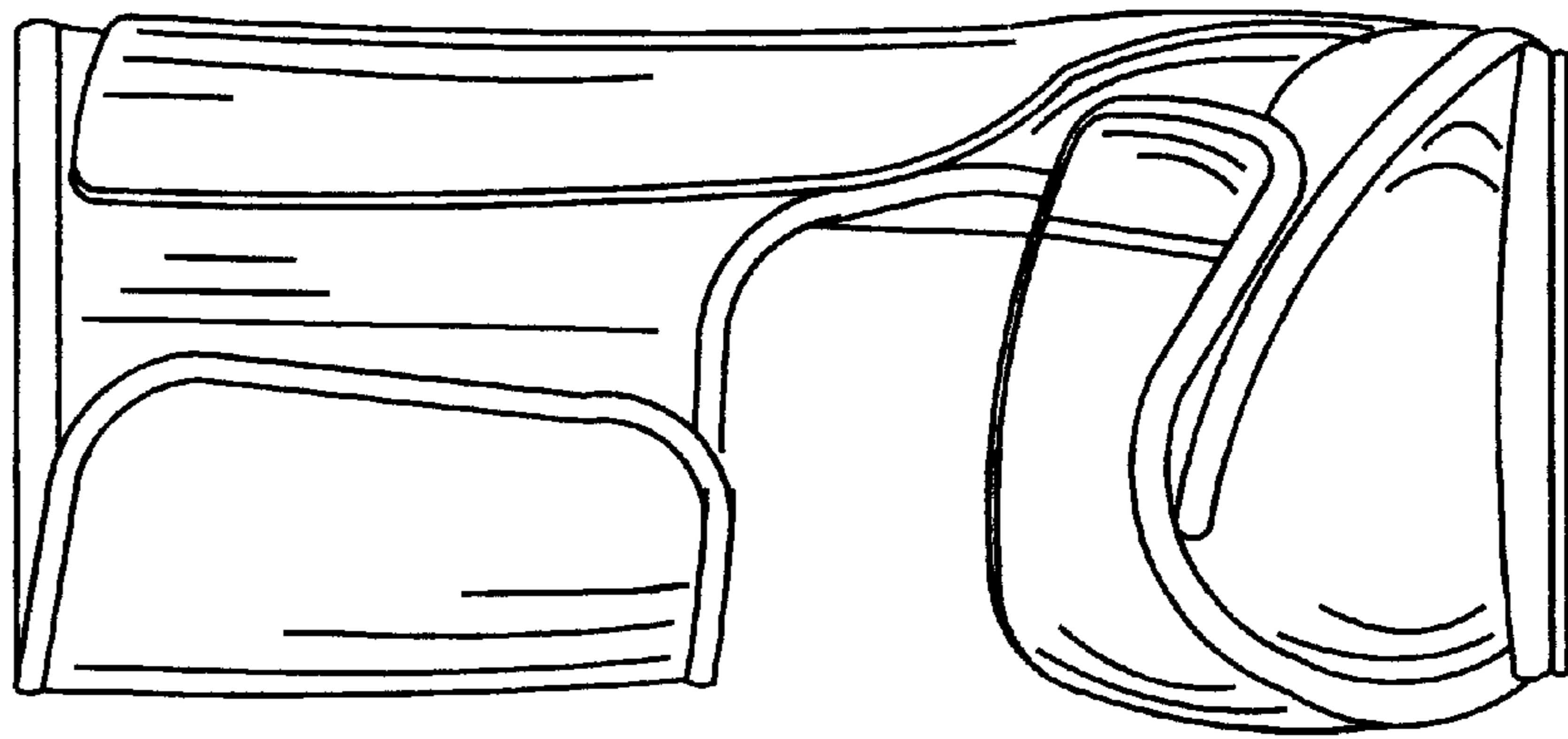
*Fig. 2*



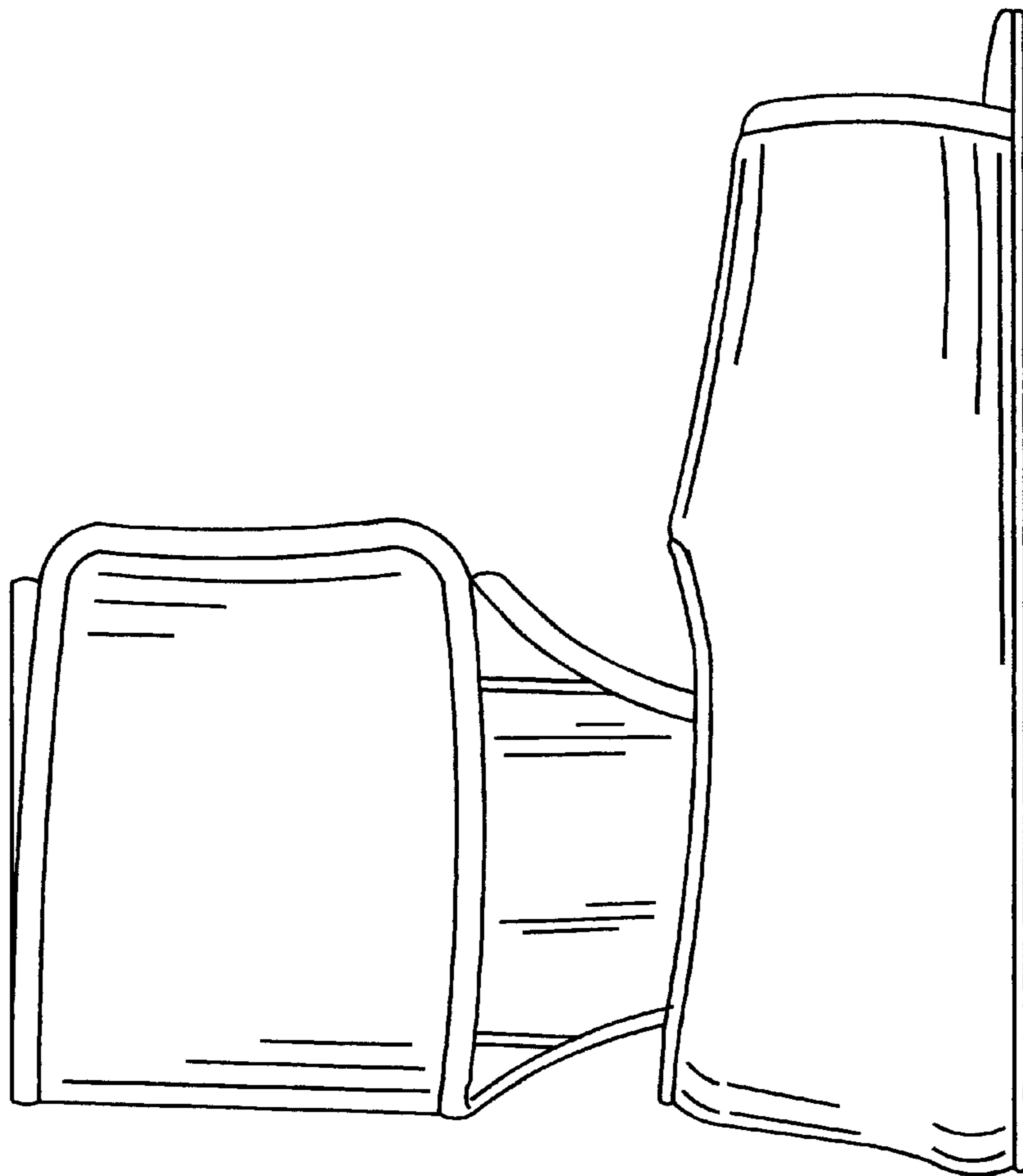
*Fig. 7*



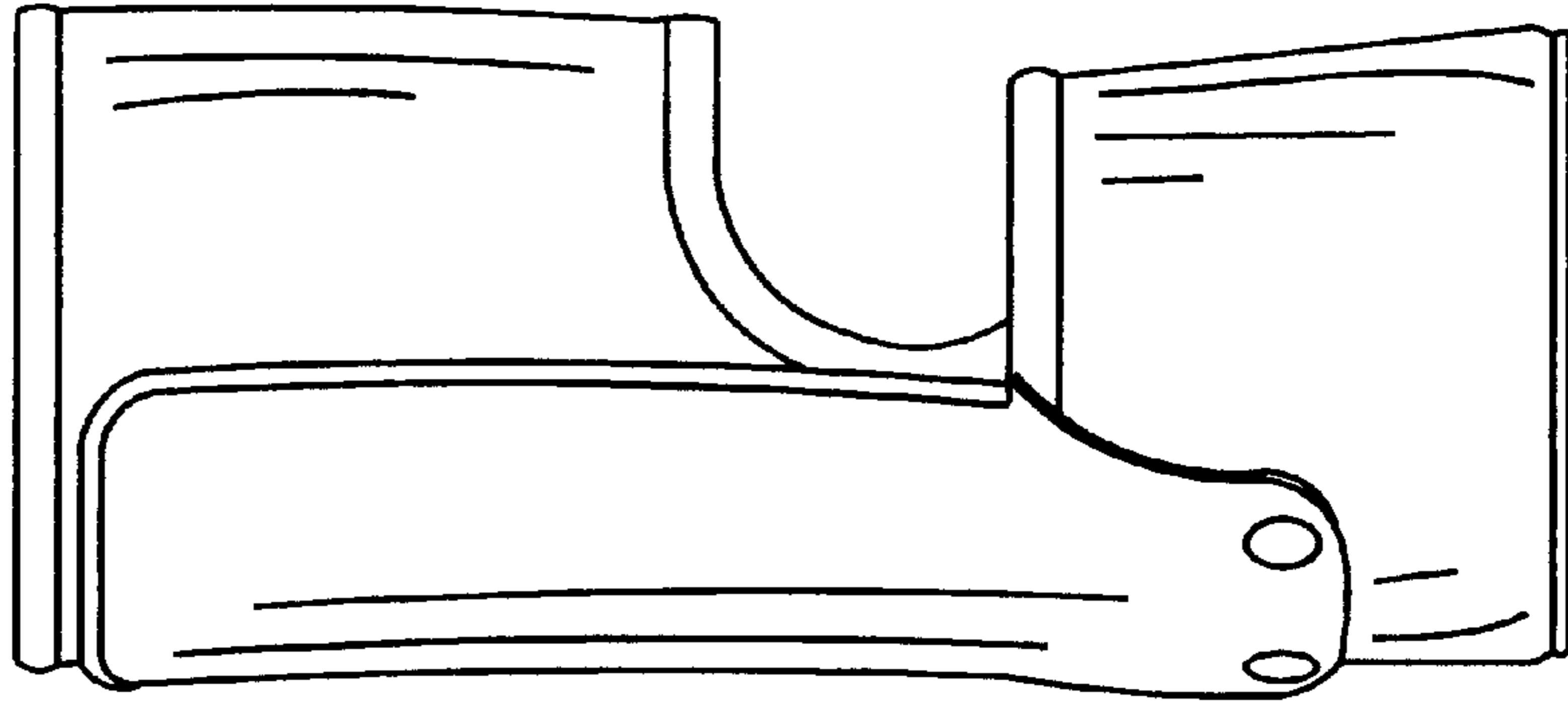
**Fig. 4**



**Fig. 3**



*Fig. 6*



*Fig. 5*

