



US00D481788S

(12) **United States Design Patent**  
**Marchiano et al.**

(10) **Patent No.:** **US D481,788 S**

(45) **Date of Patent:** **\*\* Nov. 4, 2003**

(54) **OSCILLATING FAN WITH DECORATIVE GRILL**

(76) Inventors: **Robert Marchiano**, 308 Brookside Ter.,  
Tonawanda, NY (US) 14150; **Louis Calostipes**, P.O. Box 182, Kenmore,  
NY (US) 14217

(\*\*) Term: **14 Years**

(21) Appl. No.: **29/165,793**

(22) Filed: **Aug. 16, 2002**

(51) **LOC (7) Cl.** ..... **23-04**

(52) **U.S. Cl.** ..... **D23/382**

(58) **Field of Search** ..... D23/381, 382,  
D23/328, 332; 416/246 R, 247

(56) **References Cited**

**U.S. PATENT DOCUMENTS**

3,787,142 A	1/1974	Dupke	
D282,125 S	1/1986	Alonzo	
D298,648 S	11/1988	Gill	
D304,368 S	10/1989	Suzuki	
D306,203 S	2/1990	Wei	
D365,440 S	12/1995	Stokesbuerry, Jr.	
D463,856 S	* 10/2002	Leslie	..... D23/382
D465,840 S	* 11/2002	Marchiano et al.	..... D23/382

\* cited by examiner

*Primary Examiner*—Lisa Lichtenstein

(57) **CLAIM**

The ornamental design for a oscillating fan with decorative grill, as shown and described.

**DESCRIPTION**

FIG. 1 is a front elevational view of the oscillating fan with decorative grill of the present invention;

FIG. 2 is a rear elevational view of the oscillating fan with decorative grill of FIG. 1;

FIG. 3 is a right side elevational view of the oscillating fan with decorative grill of FIG. 1;

FIG. 4 is a left side elevational view of the oscillating fan with decorative grill of FIG. 1;

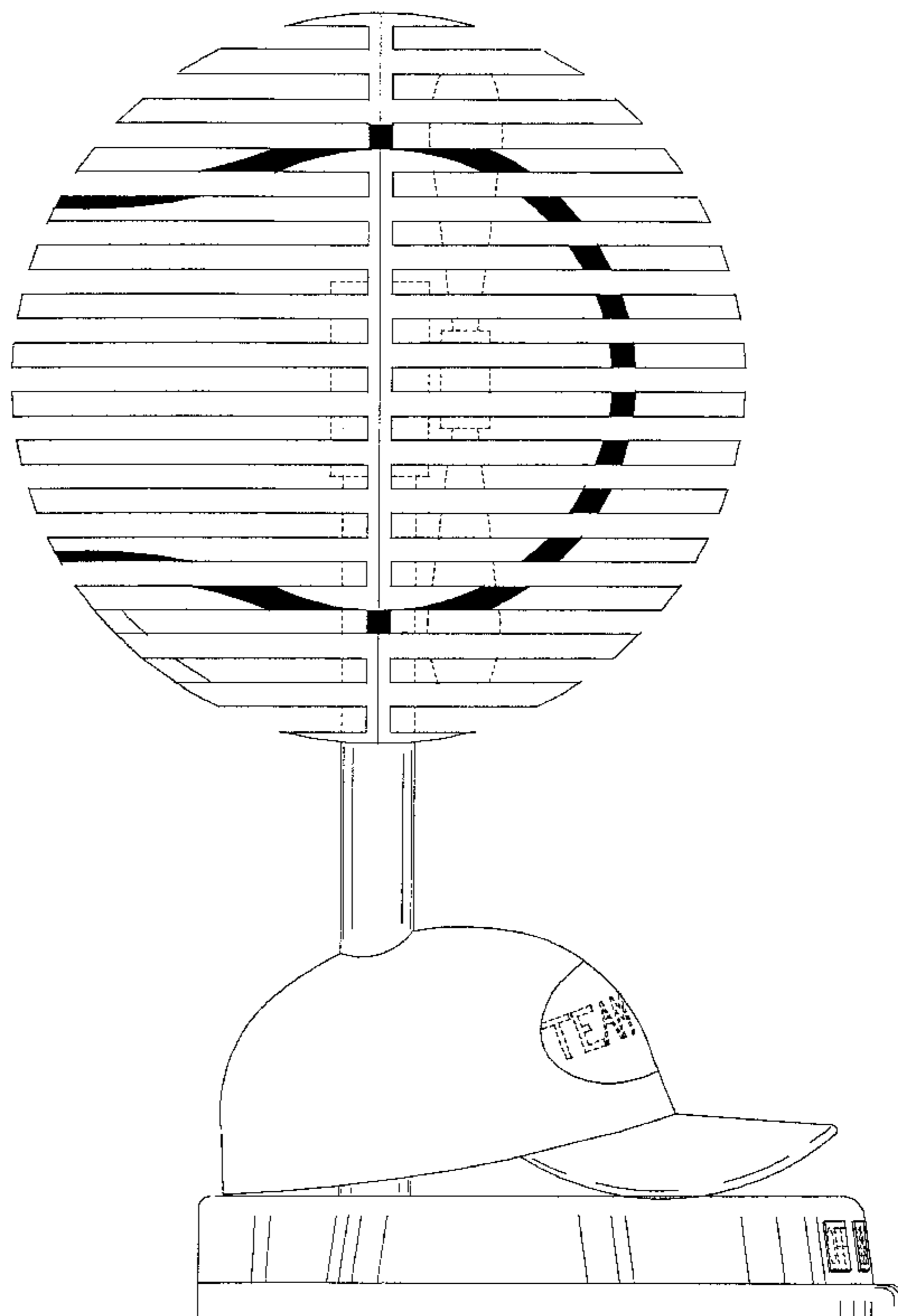
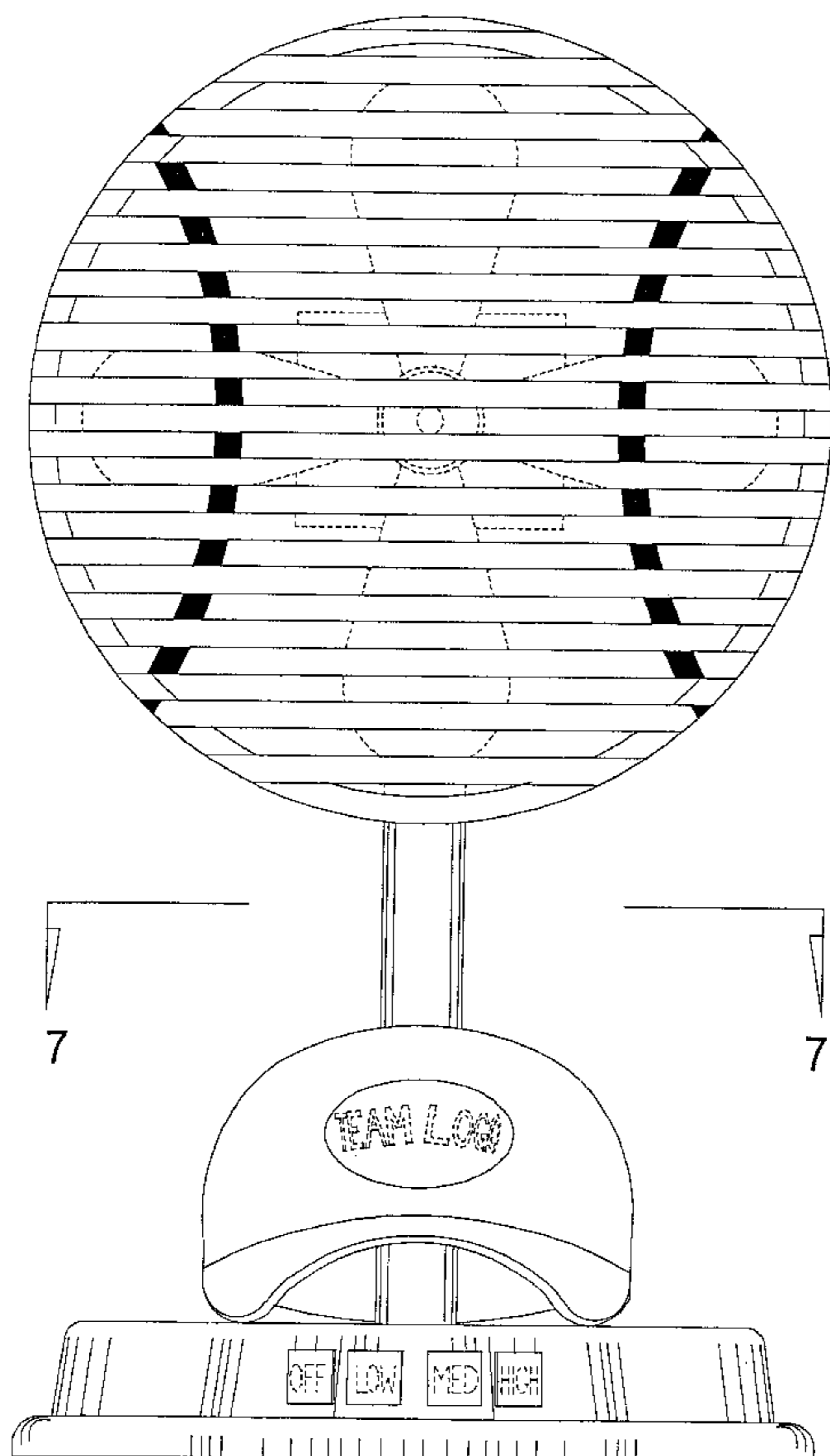
FIG. 5 is an enlarged top plan view of the oscillating fan with decorative grill of FIG. 1;

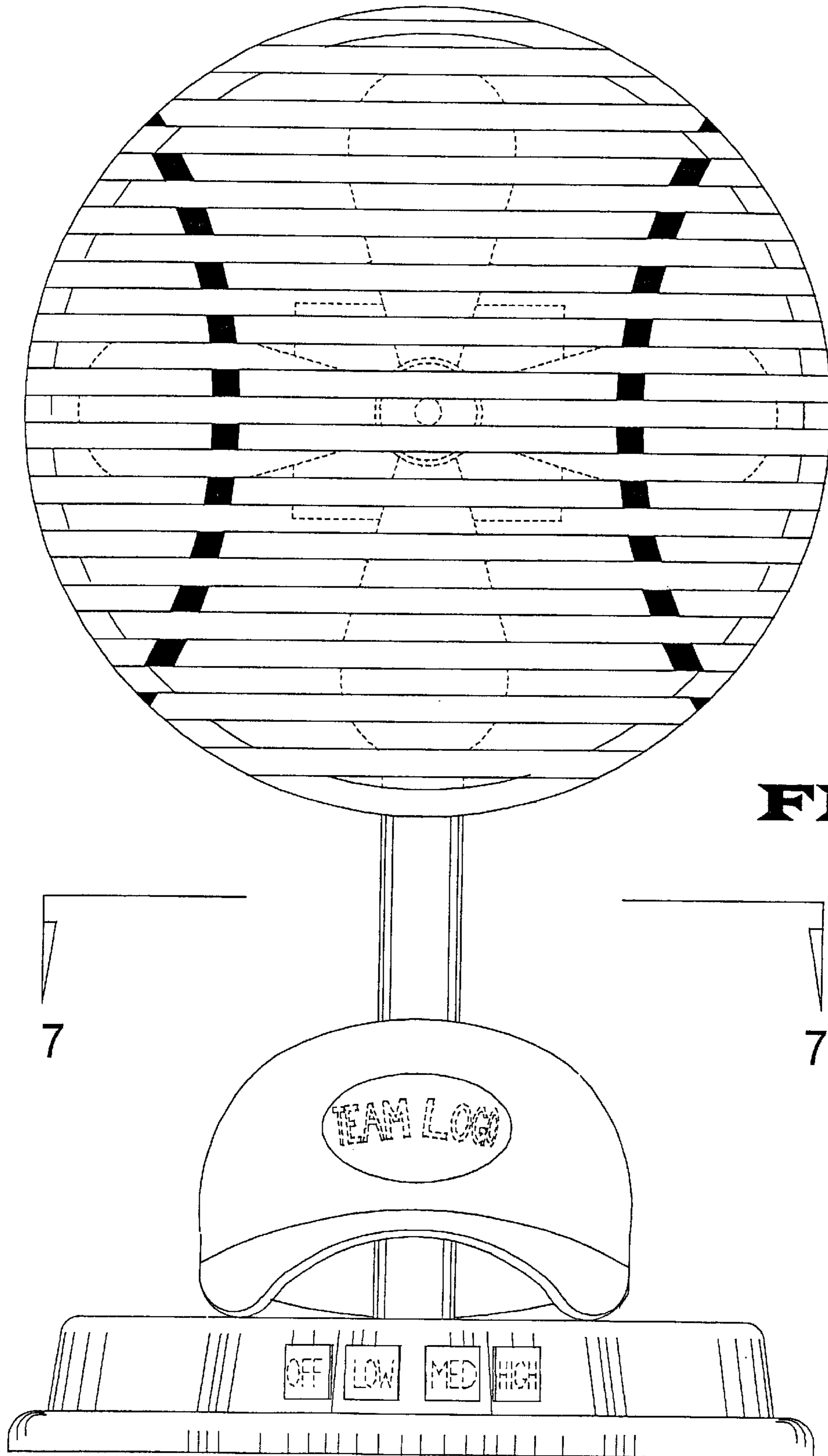
FIG. 6 is a bottom plan view of the oscillating fan with decorative grill of FIG. 1; and,

FIG. 7 is a cross-sectional view of FIG. 1 taken along line 7—7.

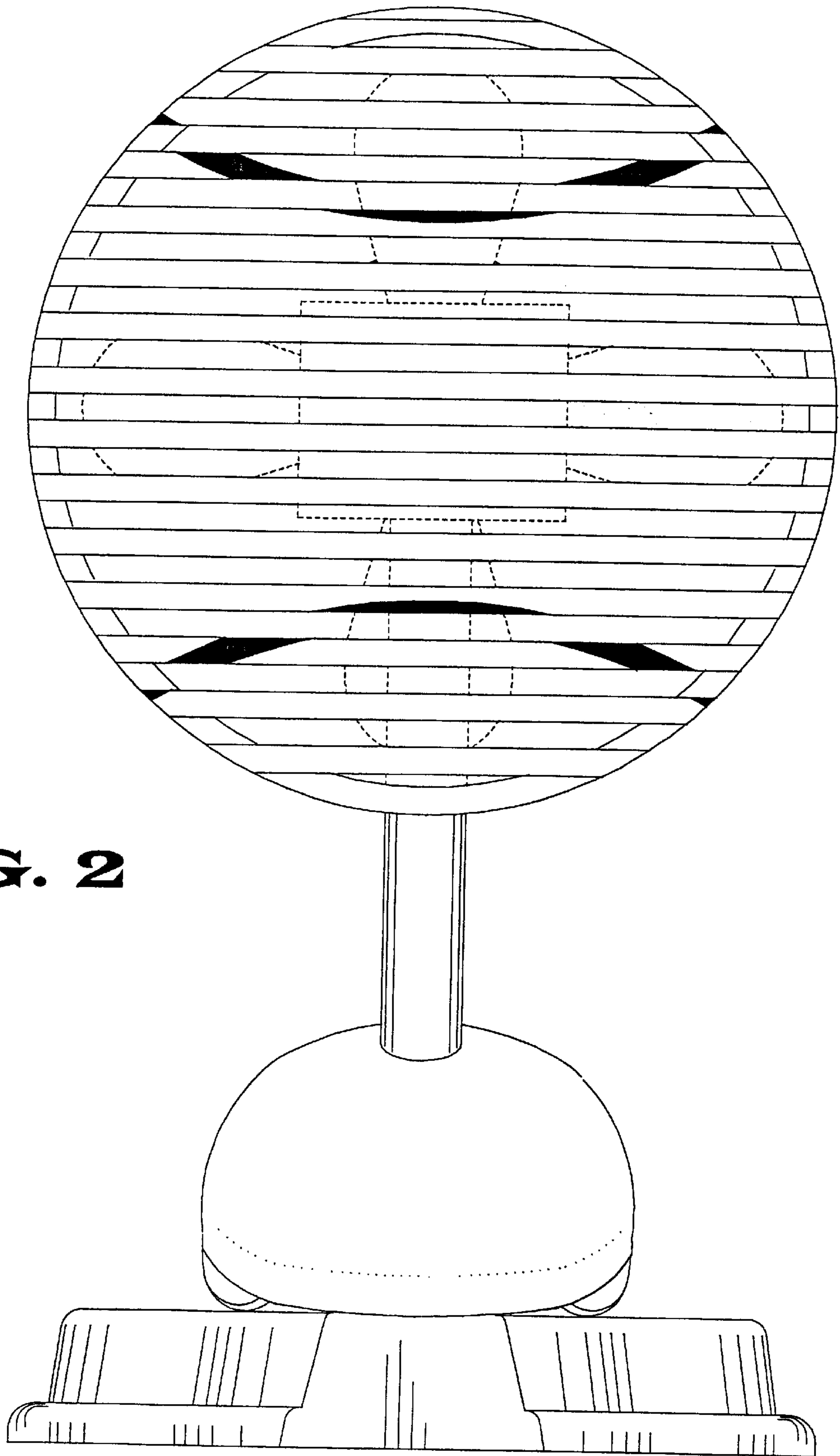
The broken line showing of a fan and motor in FIGS. 1—4 and lettering in FIGS. 1,3,4,5, and 7 are for illustrative purposes only and form no part of the claimed design.

**1 Claim, 7 Drawing Sheets**

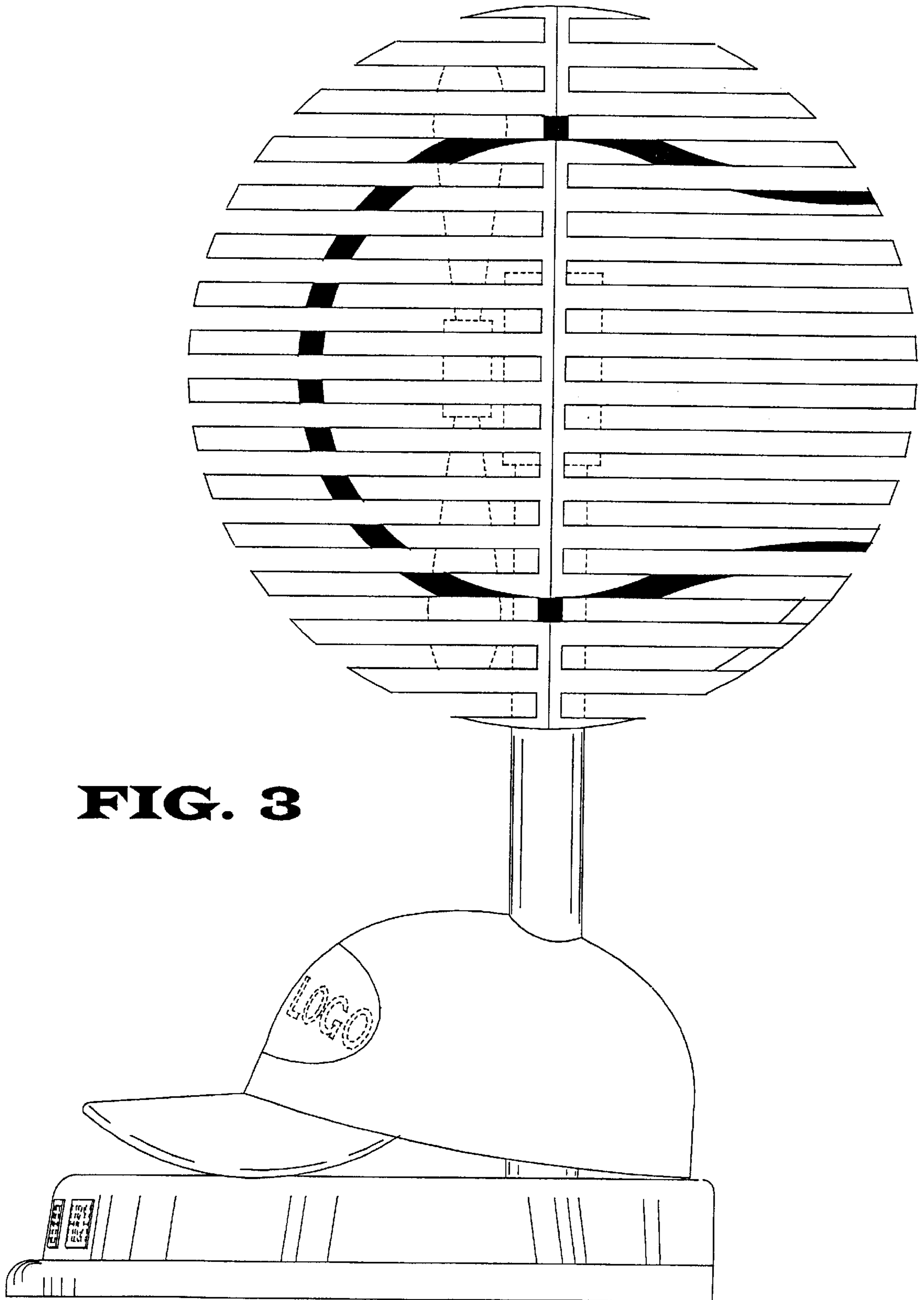


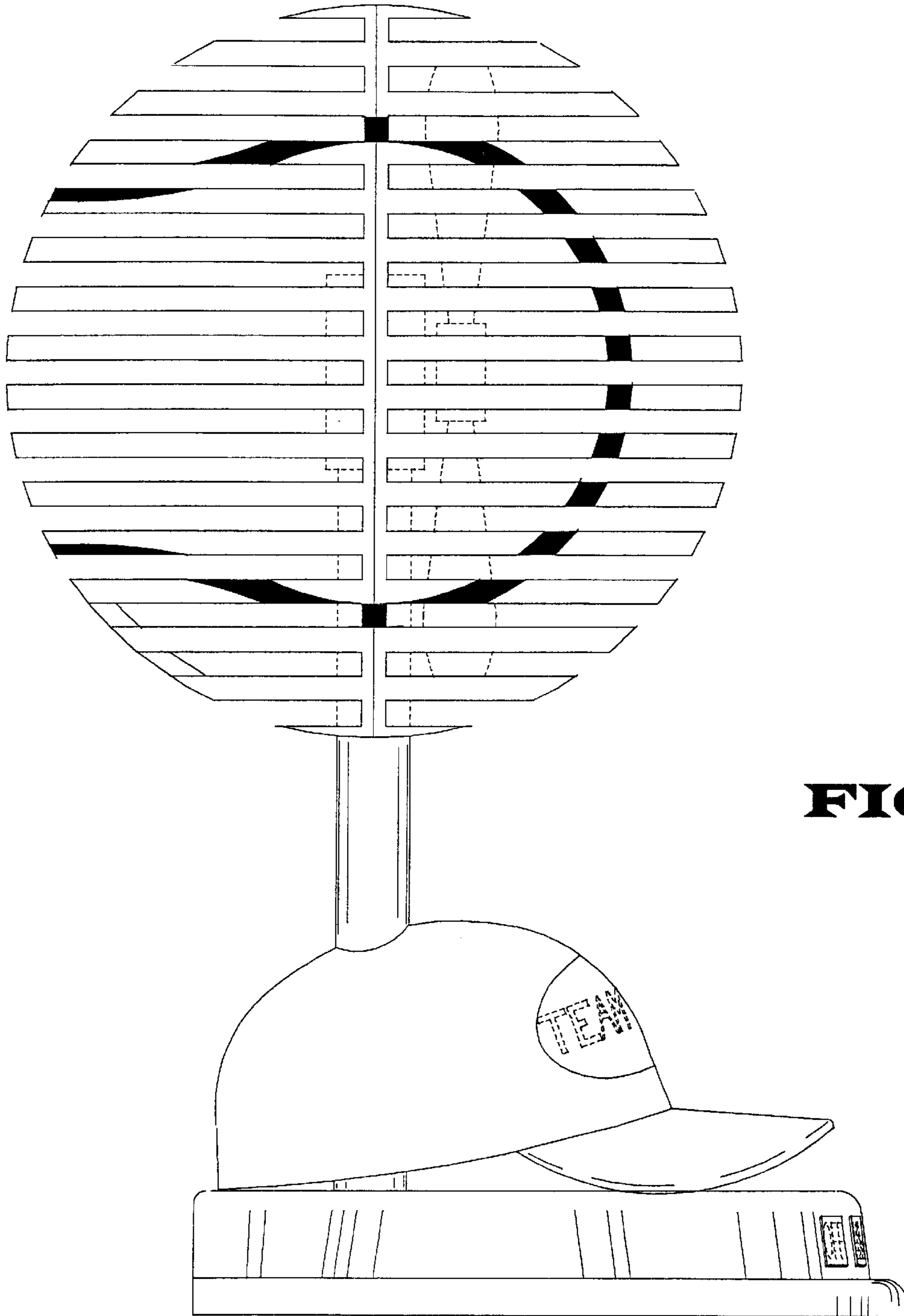


**FIG. 1**



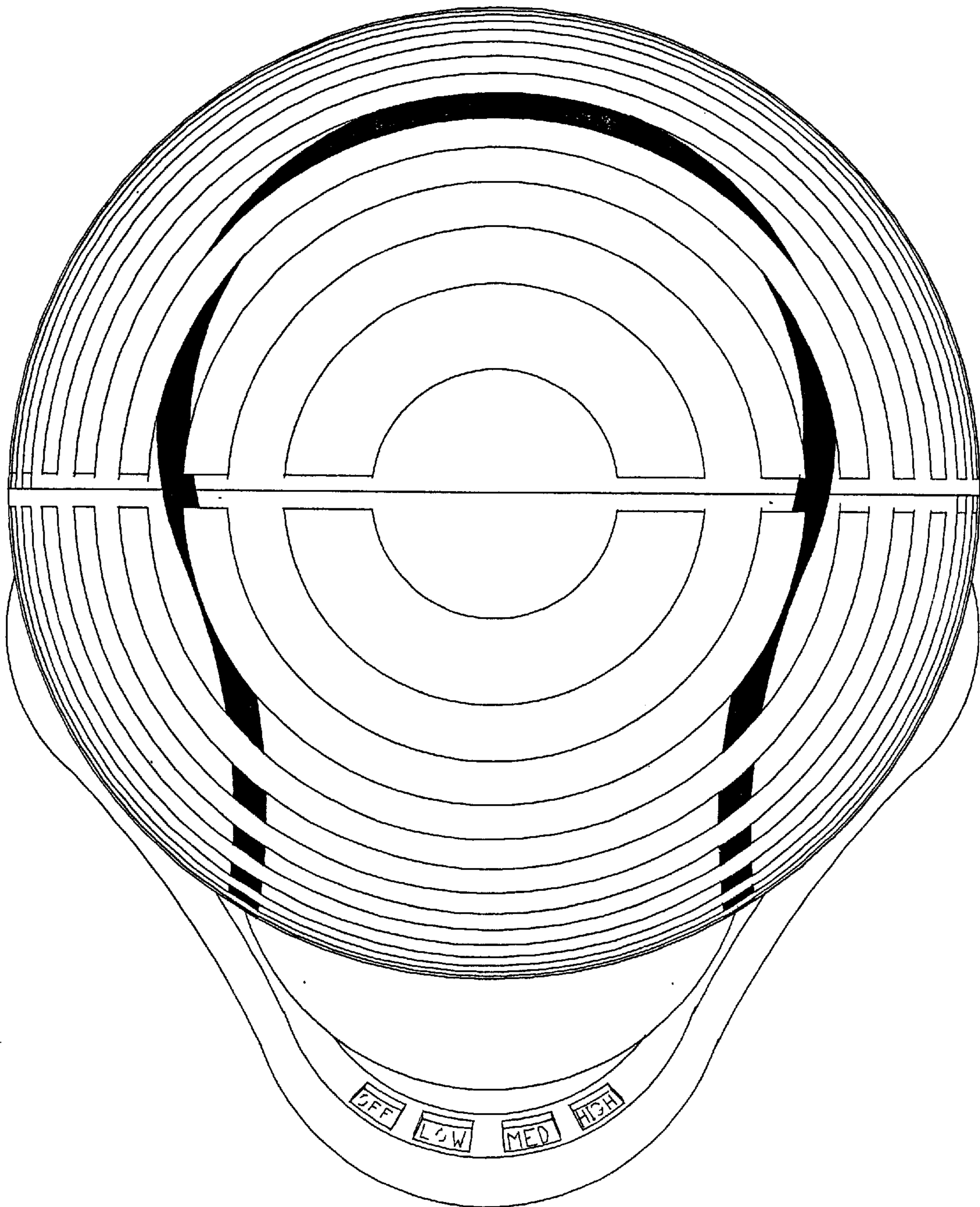
**FIG. 2**

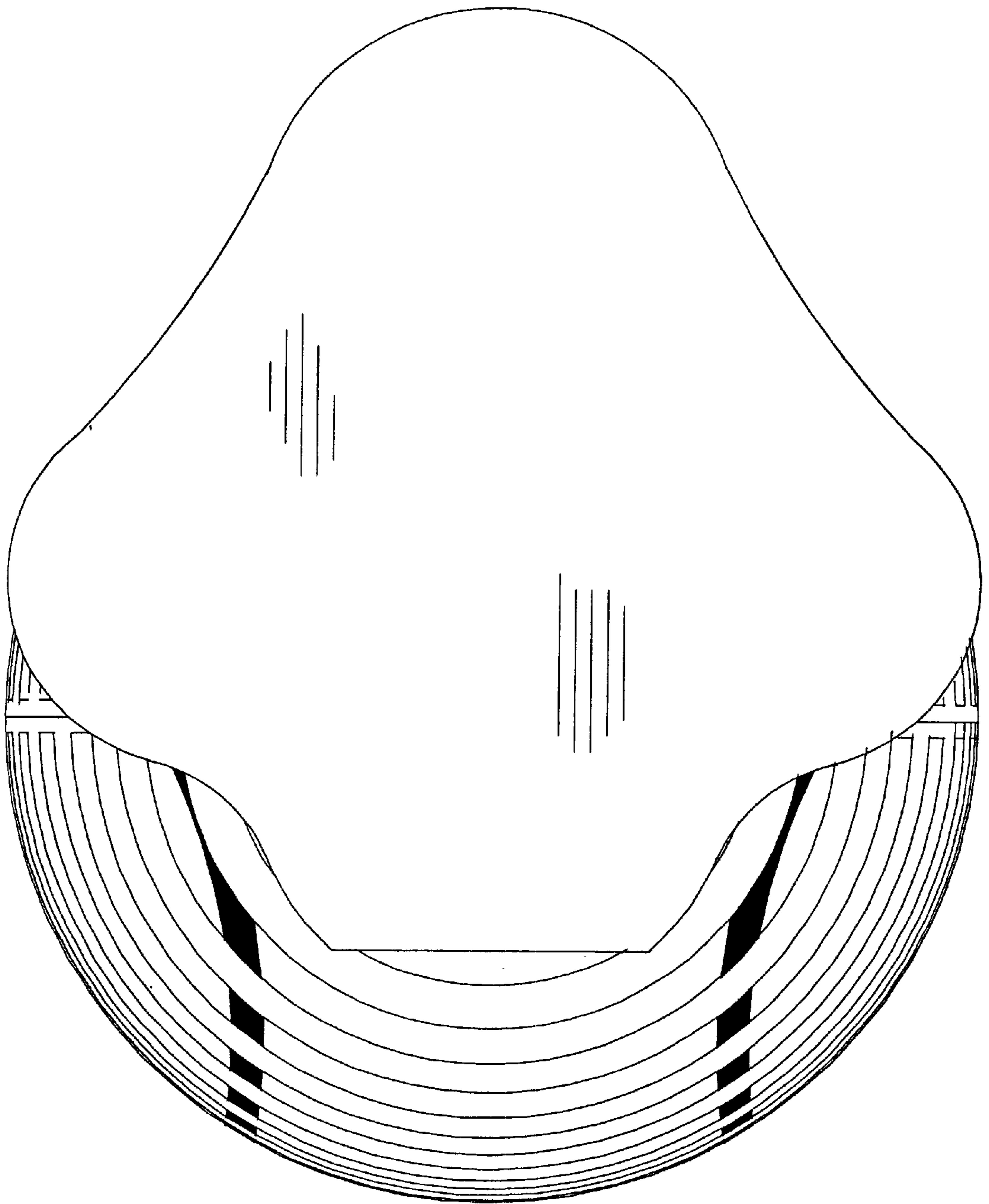




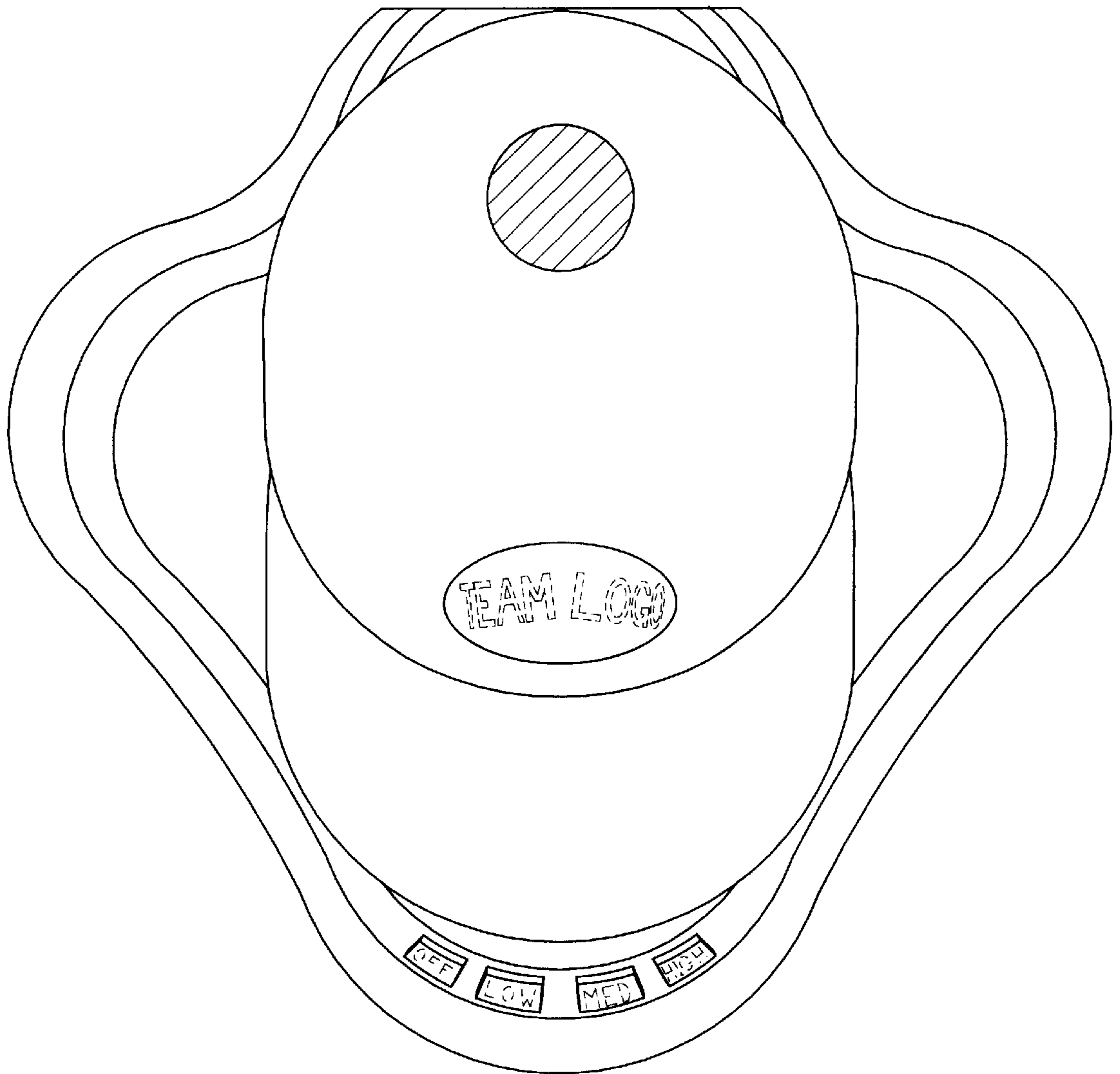
**FIG. 4**

**FIG. 5**





**FIG. 6**



**FIG. 7**