



US00D481787S

(12) **United States Design Patent**
Millan

(10) **Patent No.:** **US D481,787 S**

(45) **Date of Patent:** **** Nov. 4, 2003**

(54) **EVAPORATOR OF ACTIVE SUBSTANCES**

(75) Inventor: **Jordi Basagañas Millan**, Barcelona (ES)

(73) Assignee: **DBK Espana, S.A.**, Barcelona (ES)

(**) Term: **14 Years**

(21) Appl. No.: **29/174,214**

(22) Filed: **Jan. 14, 2003**

(30) **Foreign Application Priority Data**

Dec. 12, 2002 (ES) 155764

(51) **LOC (7) Cl.** **23-04**

(52) **U.S. Cl.** **D23/366**

(58) **Field of Search** D23/366-69; 422/120, 422/122-4; 239/211, 34-60; 261/DIG. 65

(56) **References Cited**

U.S. PATENT DOCUMENTS

- D322,558 S * 12/1991 Halm et al.
- D461,885 S * 8/2002 Jordi
- D462,755 S * 9/2002 Basaganas Millan

- D465,019 S * 10/2002 Wu
- D466,204 S * 11/2002 Wolpert et al.
- D473,638 S * 4/2003 Cruver, IV
- D474,268 S * 5/2003 Choke-arpornchai et al.

* cited by examiner

Primary Examiner—M. H. Tung

(74) *Attorney, Agent, or Firm*—Katten Muchin Zavis Rosenman

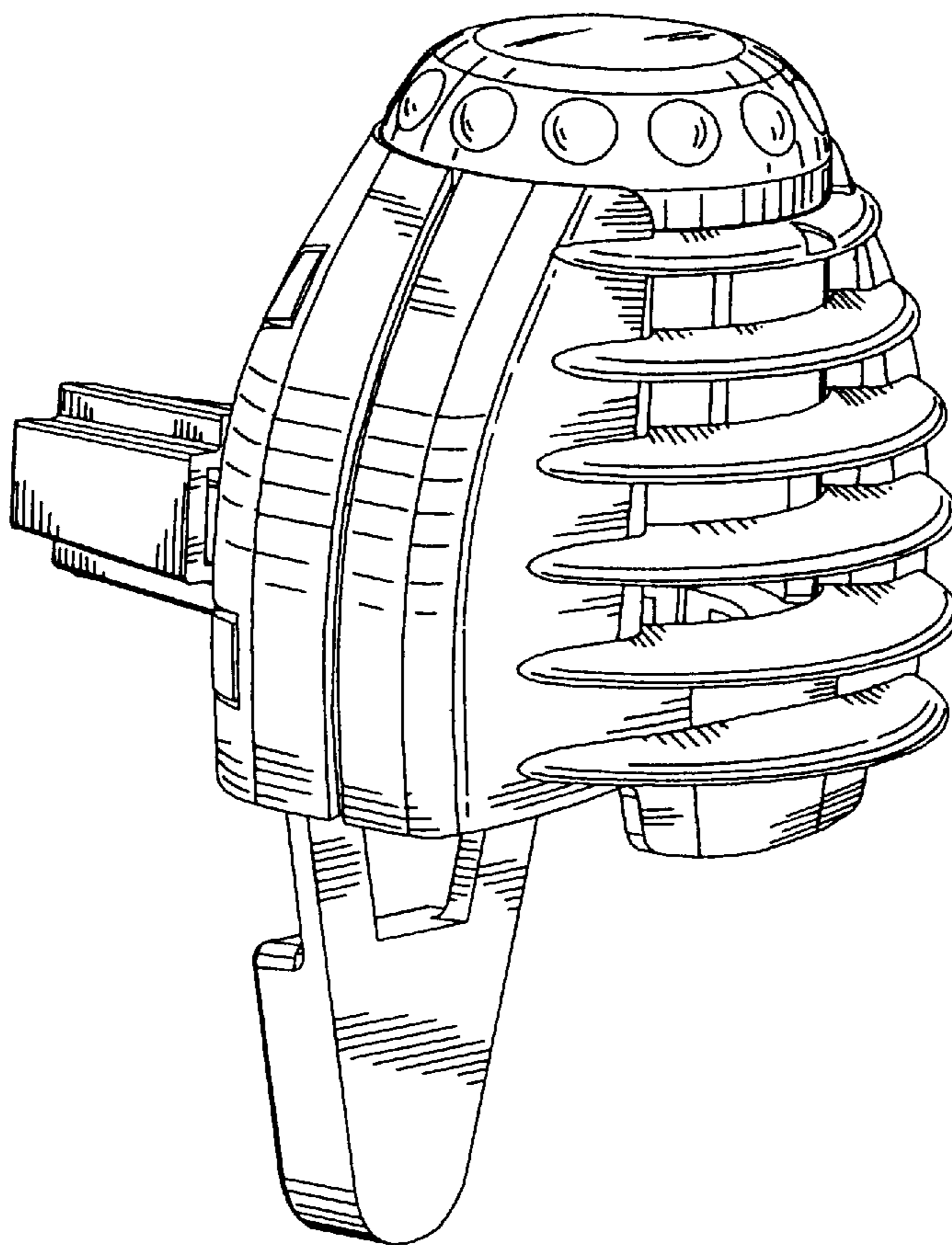
(57) **CLAIM**

The ornamental design for an evaporator of active substances, as shown and described.

DESCRIPTION

FIG. 1 is a front perspective view of an evaporator of active substances of the design of the present invention;
 FIG. 2 is a rear perspective view thereof;
 FIG. 3 is a front elevation thereof;
 FIG. 4 is a right side elevation thereof;
 FIG. 5 is a top view thereof;
 FIG. 6 is a left side elevation thereof; and,
 FIG. 7 is a bottom view thereof.

1 Claim, 7 Drawing Sheets



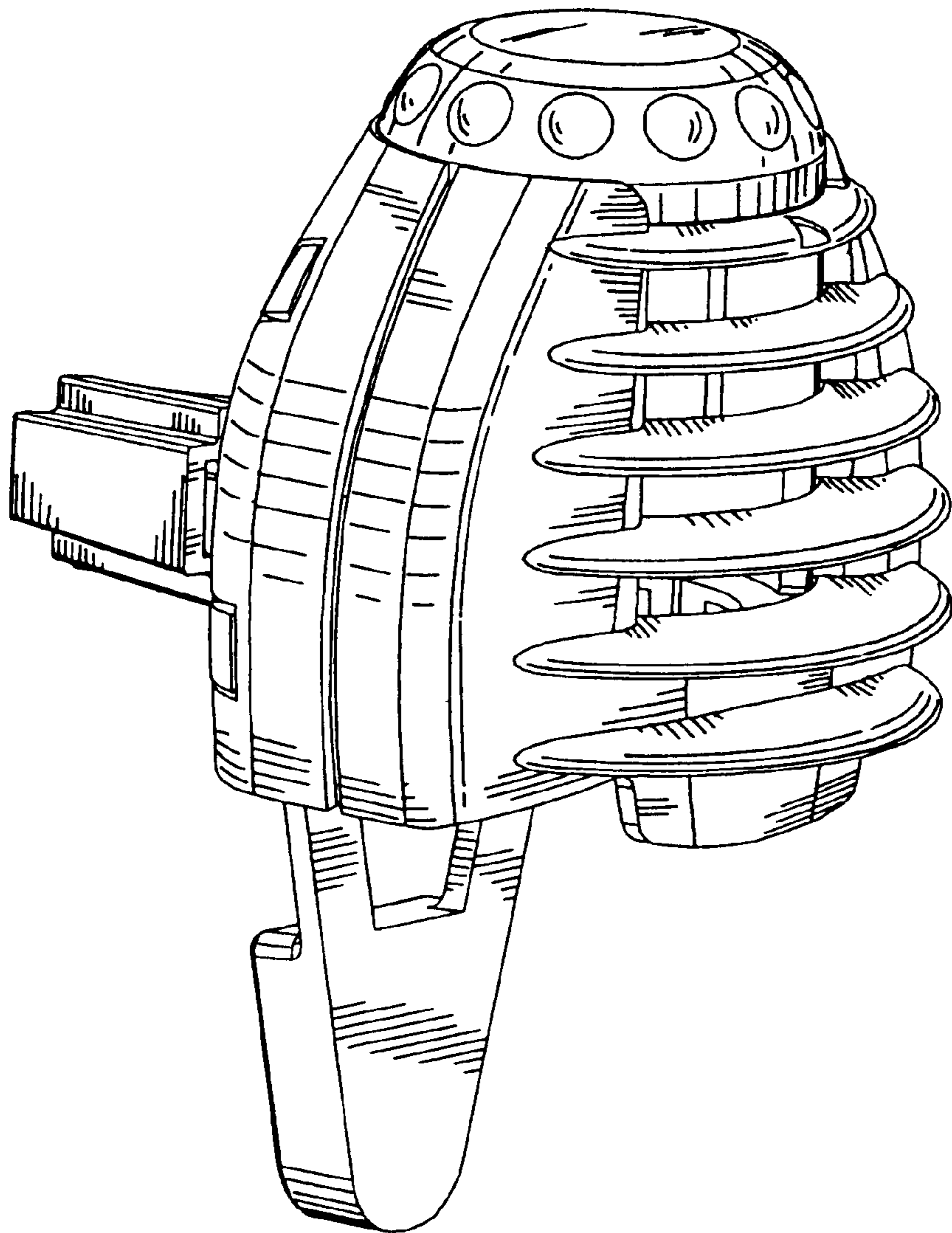


FIG. 1

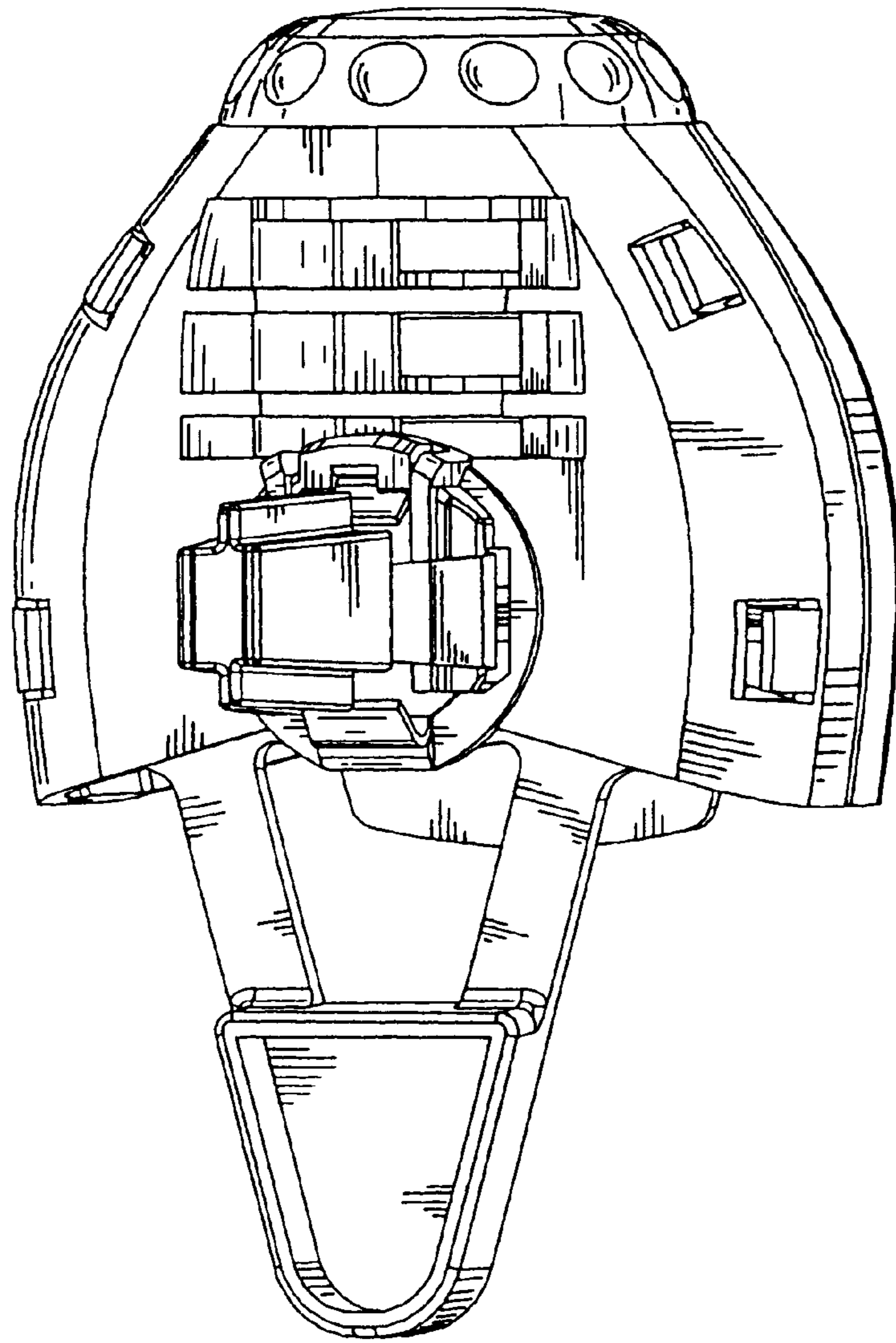


FIG. 2

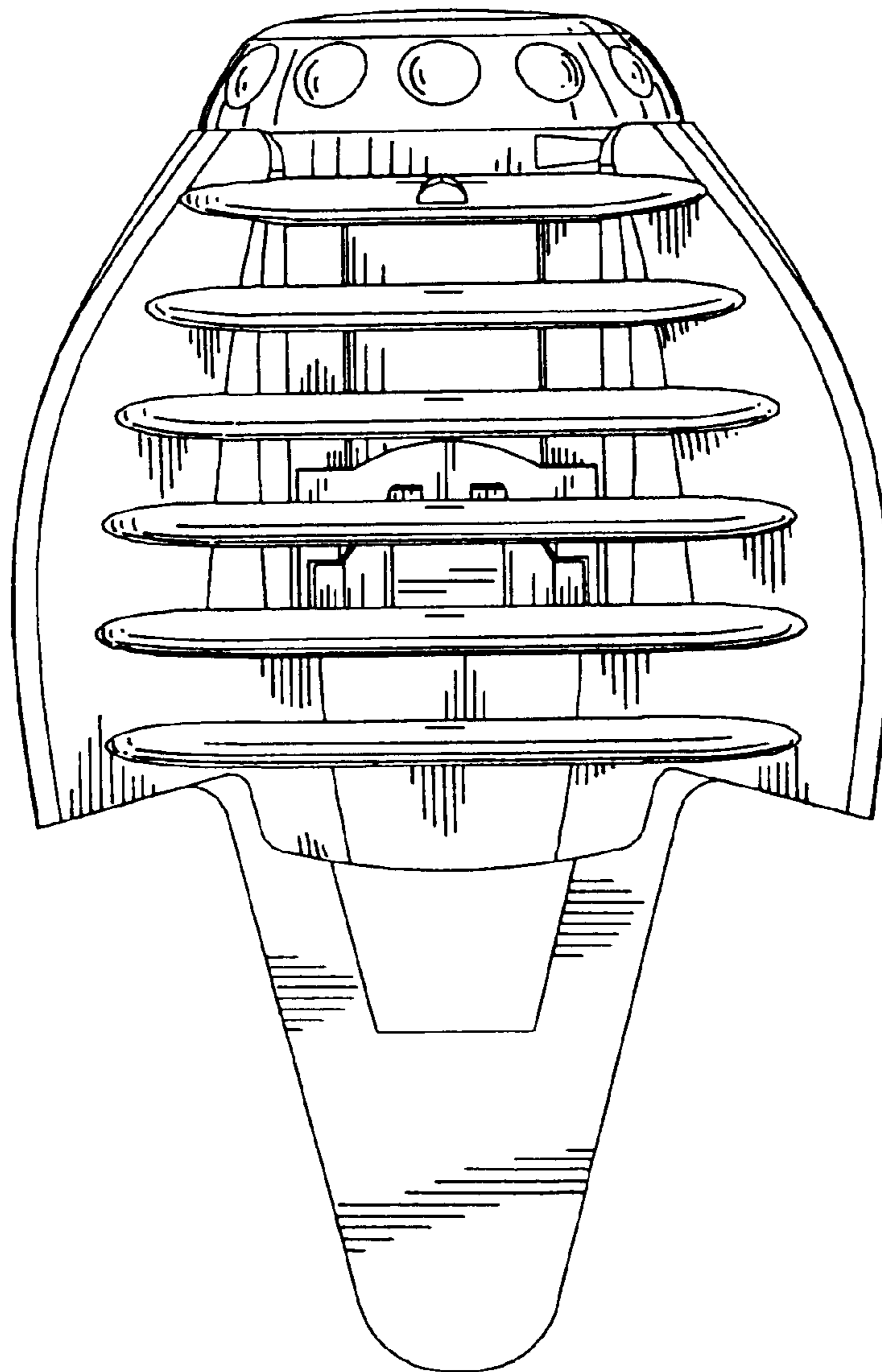


FIG. 3

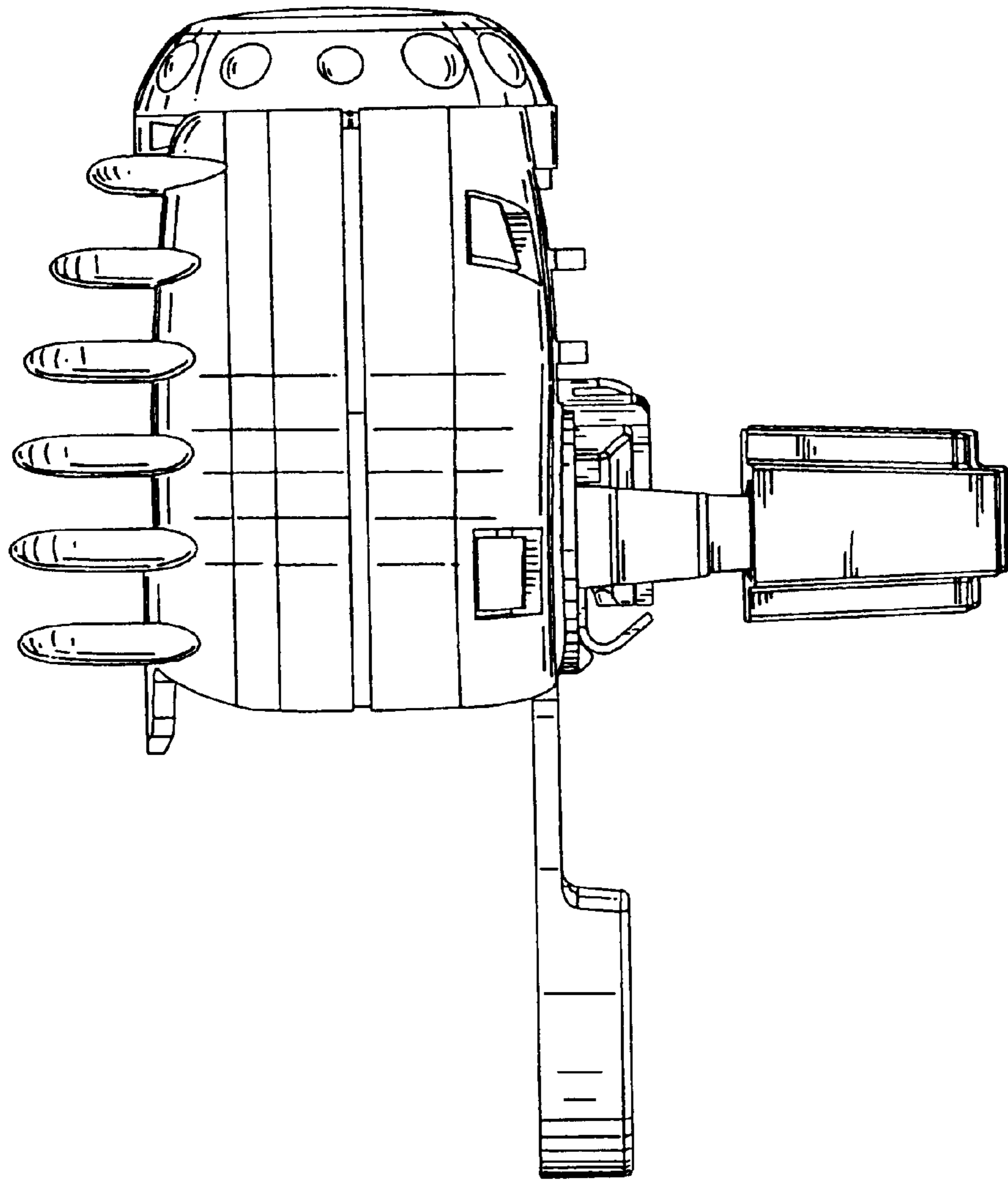


FIG. 4

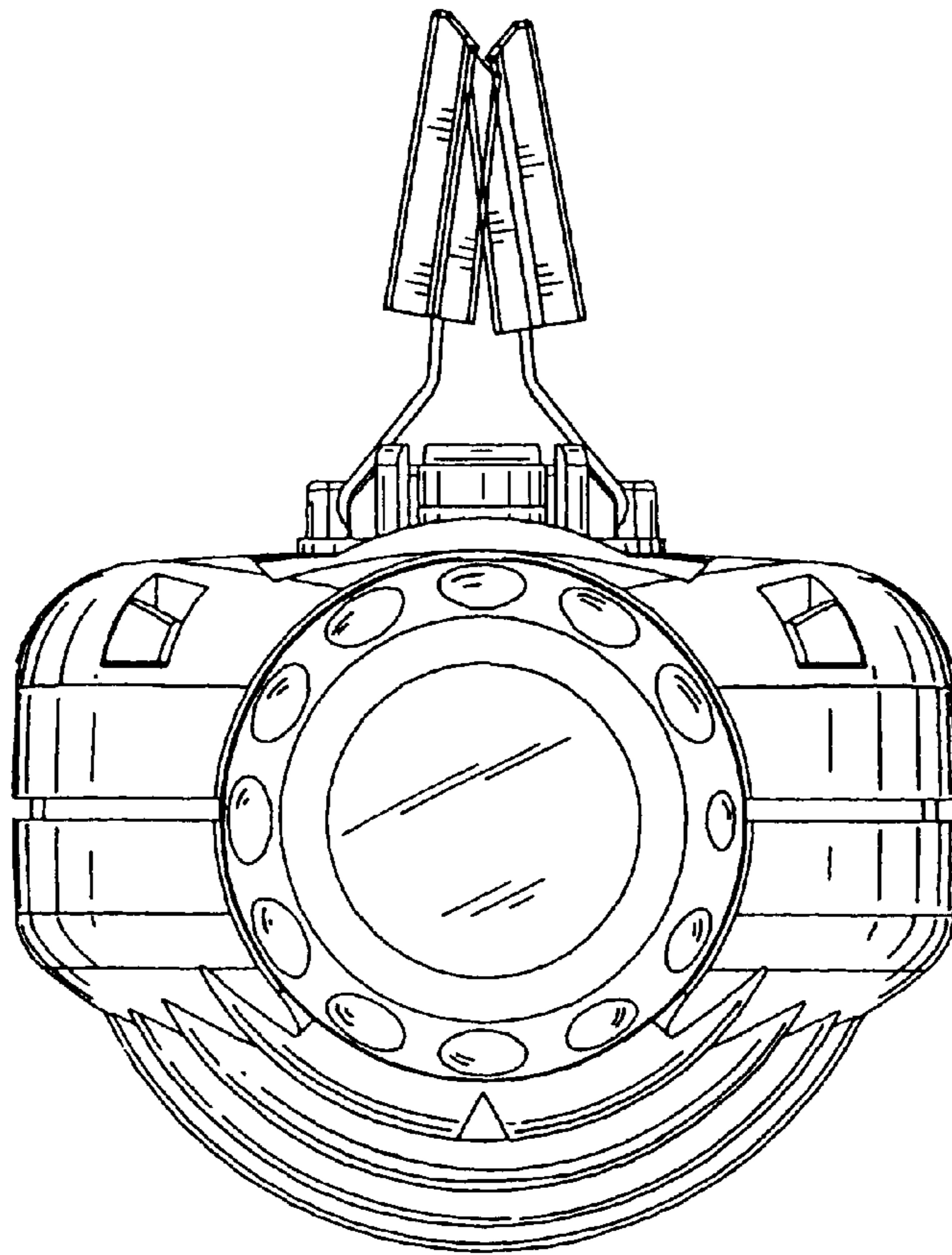


FIG. 5

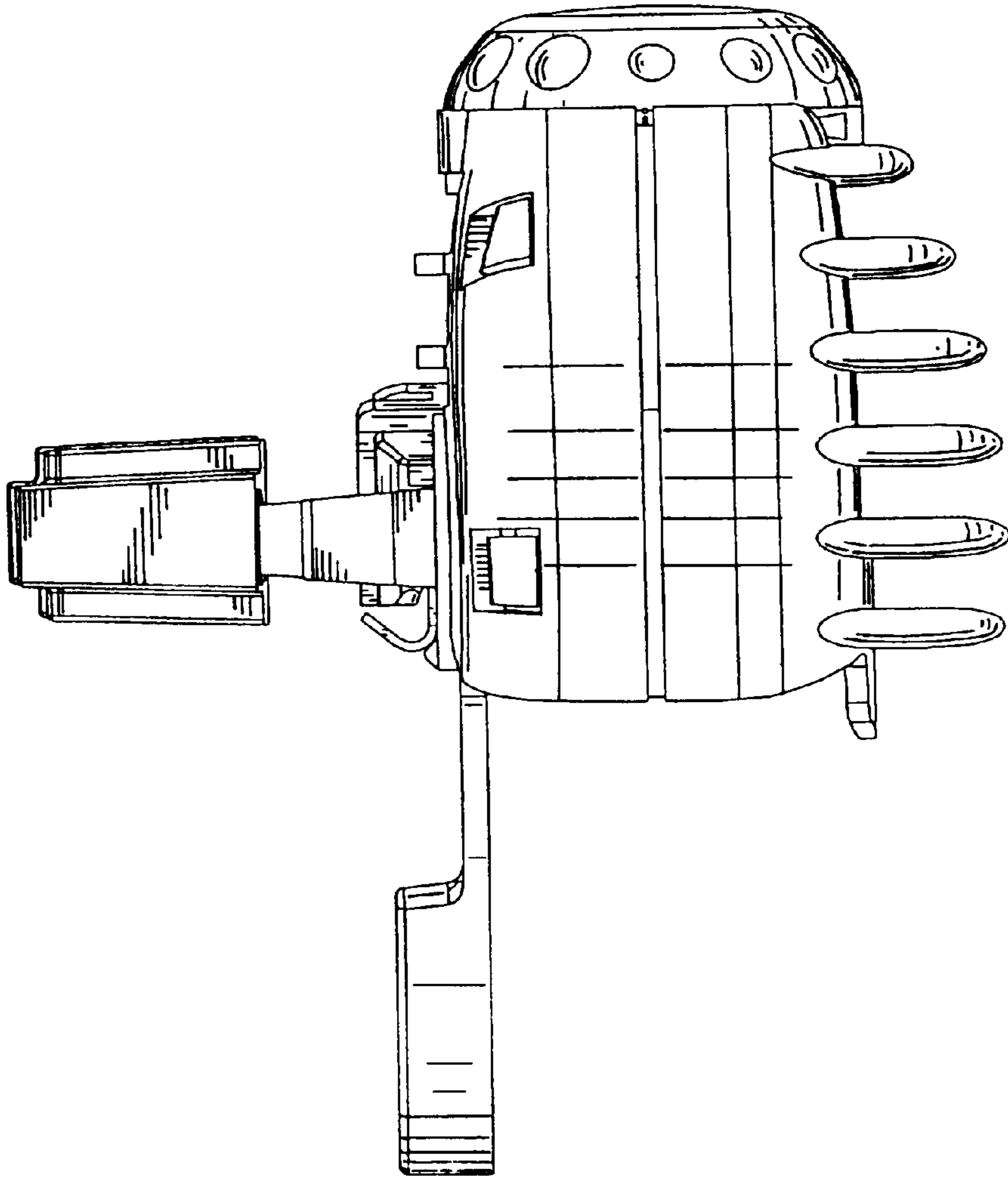


FIG. 6

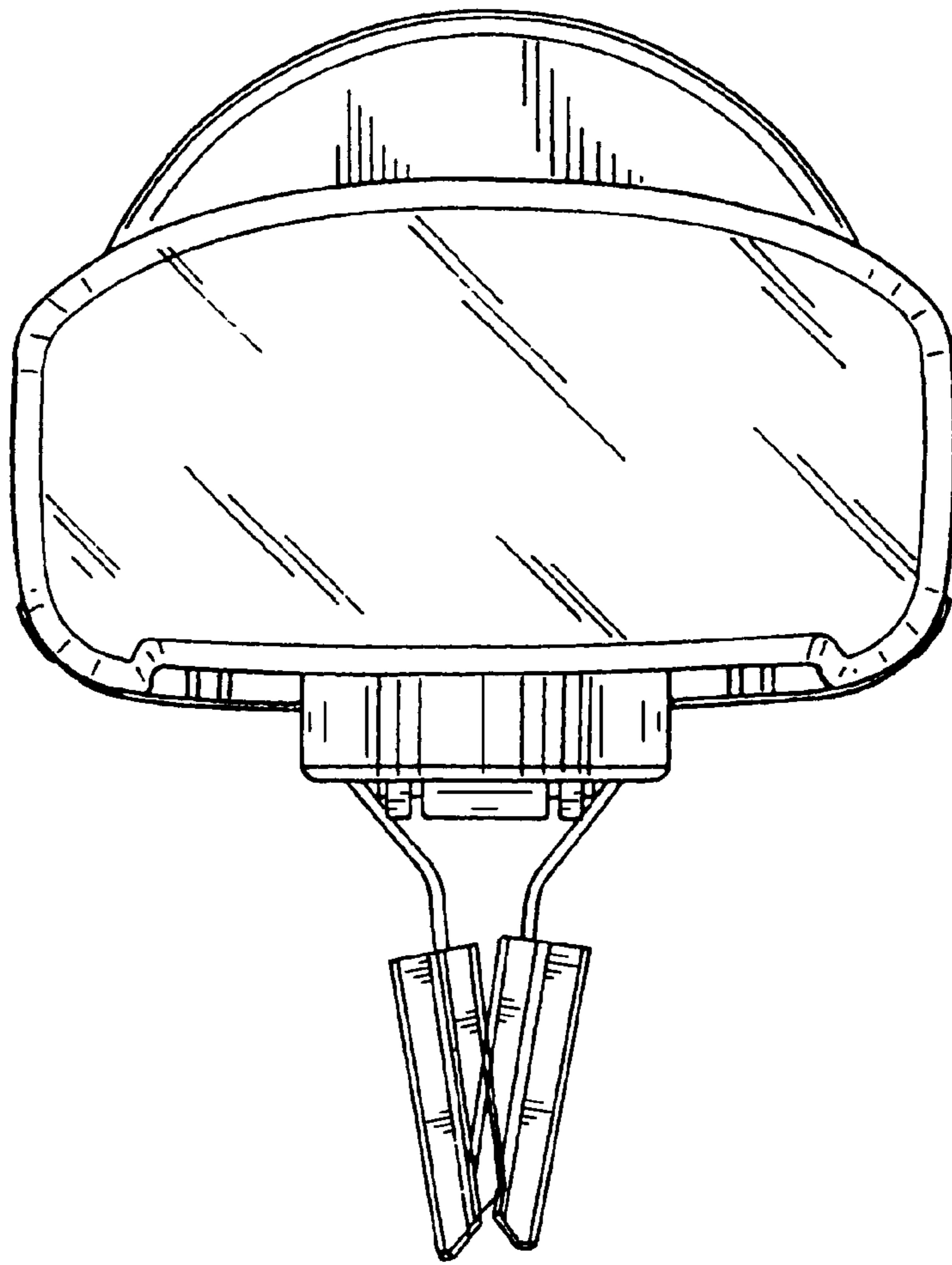


FIG. 7