



US00D481779S

(12) **United States Design Patent**
Van Deusen

(10) **Patent No.:** **US D481,779 S**

(45) **Date of Patent:** **** Nov. 4, 2003**

(54) **BI-PLANE PLAY STRUCTURE**

(75) **Inventor:** **Gary Van Deusen, Hillsdale, MI (US)**

(73) **Assignee:** **The Shane Group, Hillsdale, MI (US)**

(**) **Term:** **14 Years**

(21) **Appl. No.:** **29/170,367**

(22) **Filed:** **Nov. 5, 2002**

(51) **LOC (7) Cl.** **21-03**

(52) **U.S. Cl.** **D21/827**

(58) **Field of Search** D21/811, 814,
D21/818-827; 482/35, 36; 472/116, 117

(56) **References Cited**

U.S. PATENT DOCUMENTS

D189,581 S	*	1/1961	Williams	D21/818
D191,749 S	*	11/1961	Haubert	D21/827
D194,214 S	*	12/1962	Shepard	D21/827
D195,633 S	*	7/1963	Haubert	D21/827
D200,478 S	*	3/1965	Haubert	D21/820
D211,588 S	*	7/1968	Zick	D21/827
D212,193 S	*	9/1968	Ruby	D21/827
D222,781 S	*	12/1971	Johnson	D21/827
D223,674 S	*	5/1972	Johnson	D21/827
D225,072 S	*	11/1972	Henning et al.	D21/827
D225,073 S	*	11/1972	Henning et al.	D21/827
D226,318 S	*	2/1973	Henning et al.	D21/827
D235,901 S	*	7/1975	Zick	D21/827

D236,276 S	*	8/1975	Rudy	D21/827
D250,783 S	*	1/1979	Dieter et al.		
D257,875 S	*	1/1981	Rudy	D21/827
D281,893 S	*	12/1985	Addleman	D21/827
D361,116 S	*	8/1995	Shaneour	D21/821
D440,623 S	*	4/2001	Gardner et al.	D21/827
D468,386 S	*	1/2003	Frank	D21/818

* cited by examiner

Primary Examiner—Mitchell Siegel

(74) *Attorney, Agent, or Firm*—Young & Basile, P.C.

(57) **CLAIM**

The ornamental design for a bi-plane play structure, as shown and described.

DESCRIPTION

FIG. 1 is a perspective view of the bi-plane play structure; FIG. 2 is a front plan view of the bi-plane play structure of FIG. 1; FIG. 3 is a rear plan view of the bi-plane play structure of FIG. 1; FIG. 4 is a top plan view of the bi-plane play structure of FIG. 1; and, FIG. 5 is a plan side view of the bi-plane play structure of FIG. 1.

The broken line showing of the ground is for illustrative purposes only and forms no part of the claimed design.

1 Claim, 3 Drawing Sheets

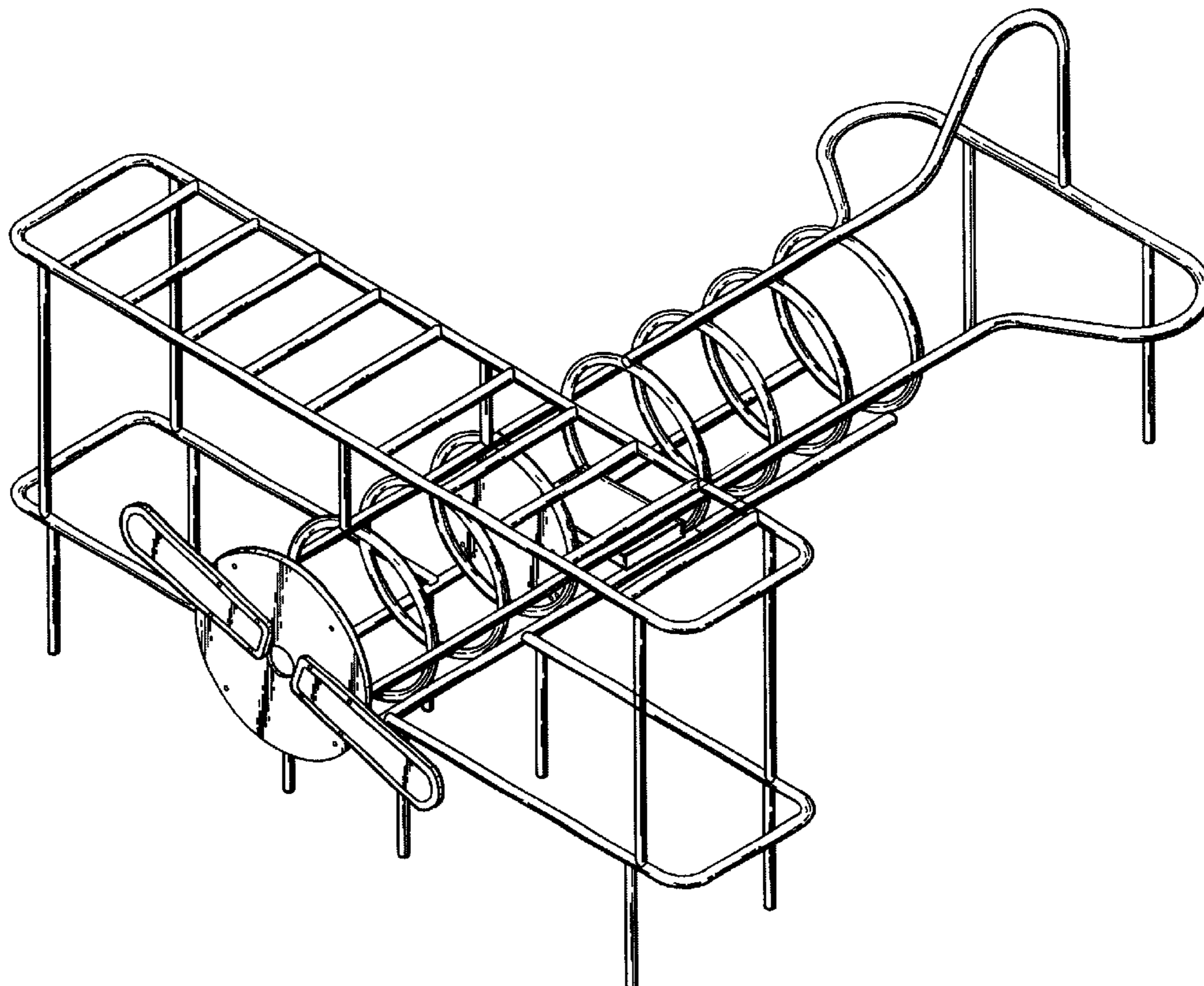


FIG - 1

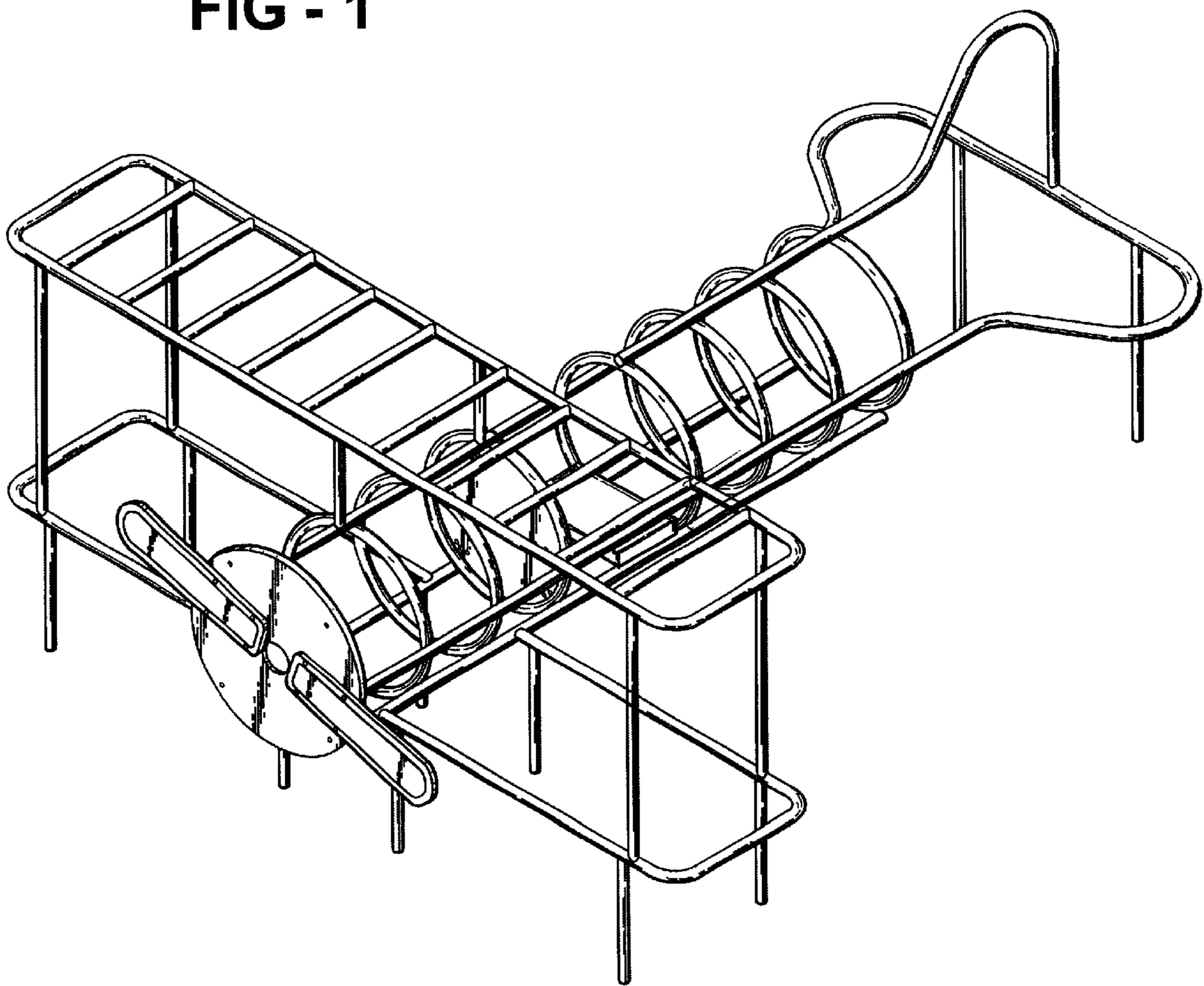


FIG - 2

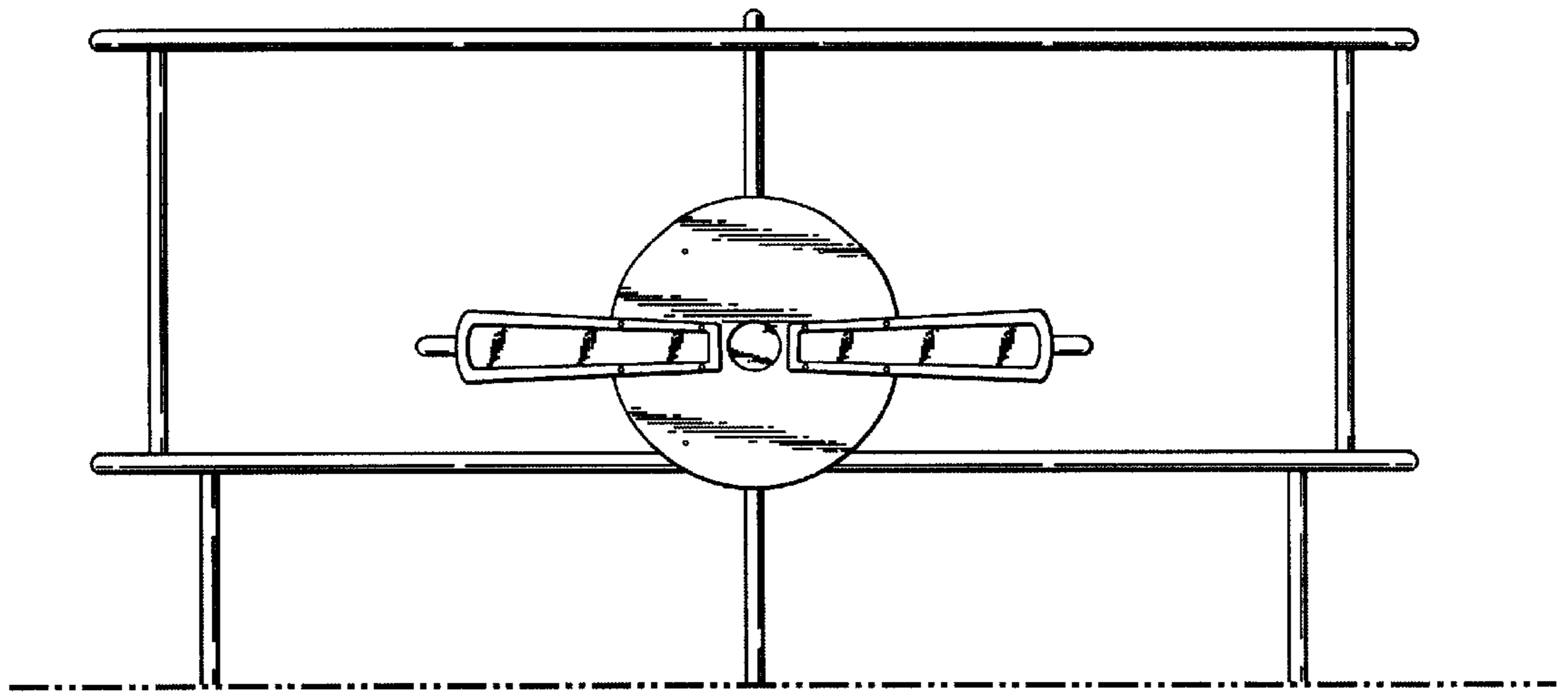


FIG - 3

