



US00D481776S

(12) **United States Design Patent**
D'Aguanno

(10) **Patent No.:** **US D481,776 S**

(45) **Date of Patent:** **** Nov. 4, 2003**

(54) **GOLF CLUB HEAD CLEANING TOOL**

(75) Inventor: **Francis D. D'Aguanno**, Feasterville, PA (US)

(73) Assignee: **D&H Golf Enterprises, Inc.**, North Wales, PA (US)

(**) Term: **14 Years**

(21) Appl. No.: **29/163,769**

(22) Filed: **Jul. 12, 2002**

(51) **LOC (7) Cl.** **21-02**

(52) **U.S. Cl.** **D21/789**

(58) **Field of Search** D21/789, 793;
473/131, 289, 408, 401; 15/236.08, 105;
30/155, 169

(56) **References Cited**

U.S. PATENT DOCUMENTS

- 5,007,129 A * 4/1991 Hainey 15/236.08
- 5,195,743 A * 3/1993 Walsh, Jr. 473/401
- 6,182,324 B1 2/2001 Pagliuzza et al. 15/206.09

* cited by examiner

Primary Examiner—Mitchell Siegel

(74) *Attorney, Agent, or Firm*—Synnestvedt & Lechner LLP

(57) **CLAIM**

I claim the ornamental design for a golf club head cleaning tool, as shown and described.

DESCRIPTION

FIG. 1 is a perspective view of the golf club head cleaning

tool in accordance with my new design, shown in the folded position;

FIG. 2 is a front view of the golf club head cleaning tool of FIG. 1, shown in the folded position, with the rear view of the golf club head cleaning tool being a mirror image of that shown in FIG. 1;

FIG. 3 is a top view of the golf club head cleaning tool of FIG. 1;

FIG. 4 is a bottom view of the golf club head cleaning tool of FIG. 1;

FIG. 5 is a left side view of the golf club head cleaning tool of FIG. 1;

FIG. 6 is a right side view of the golf club head cleaning tool of FIG. 1;

FIG. 7 is a perspective view of the golf club head cleaning tool of FIG. 1, shown in the unfolded position;

FIG. 8 is a front view of the golf club head cleaning tool of FIG. 7, shown in the unfolded position, with the rear view of the golf club head cleaning tool being a mirror image of that shown in FIG. 8;

FIG. 9 is a top view of the golf club head cleaning tool of FIG. 7;

FIG. 10 is a bottom view of the golf club head cleaning tool of FIG. 7;

FIG. 11 is a left side view of golf club head cleaning tool of FIG. 7;

FIG. 12 is a right side view of the golf club head cleaning tool of FIG. 7; and,

FIG. 13 is a front view of the golf club head cleaning tool of FIG. 1, shown in a partially unfolded position.

The broken lines shown in FIGS. 1 through 13 are for illustrative purposes only and form no part of the claimed design.

1 Claim, 4 Drawing Sheets

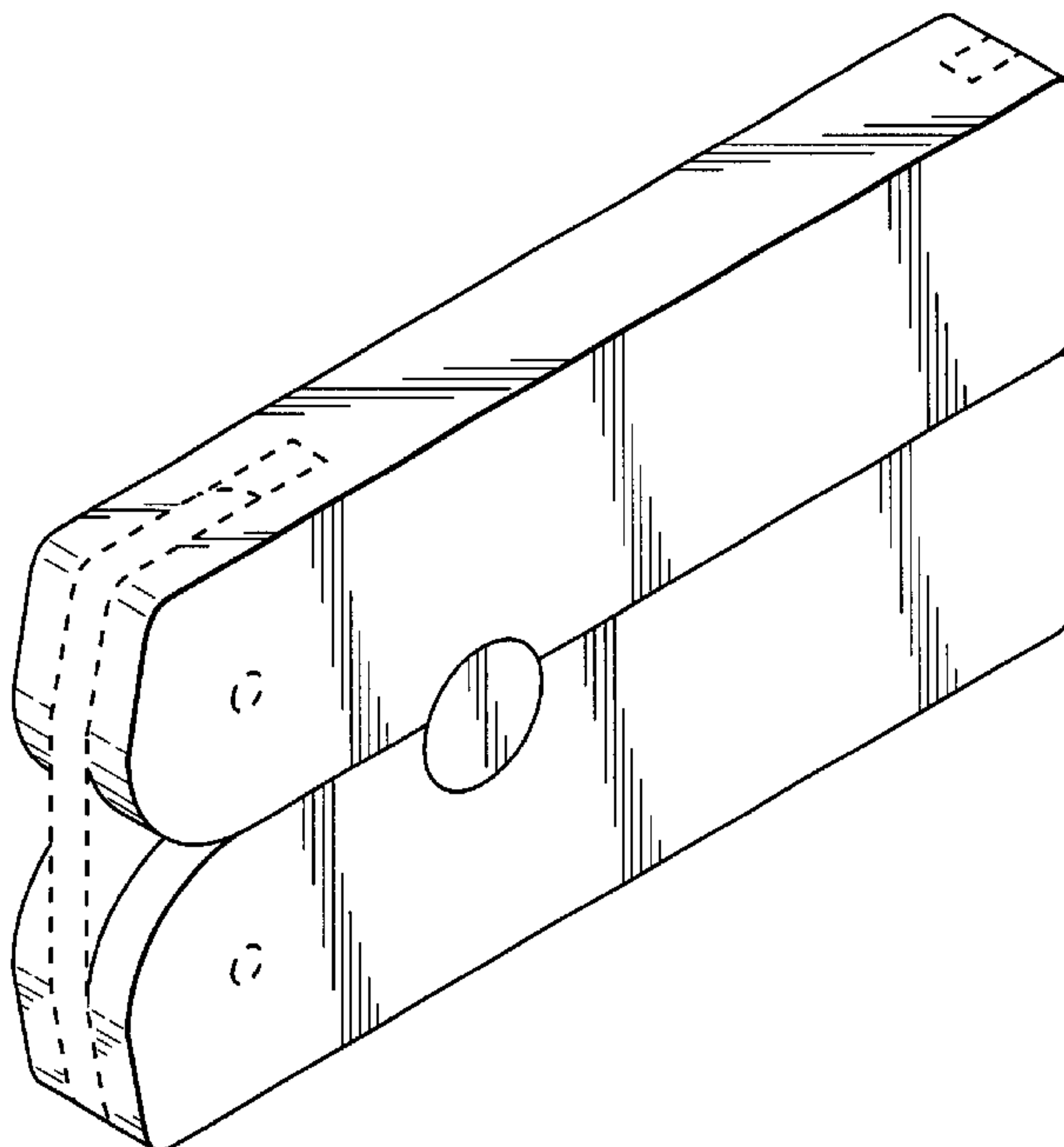


FIG. 1

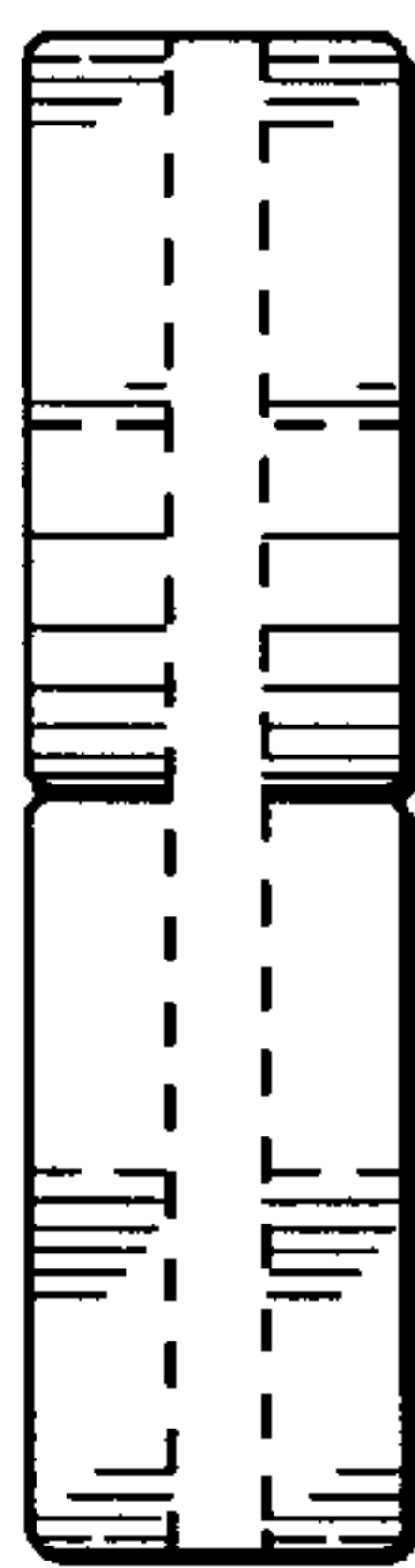
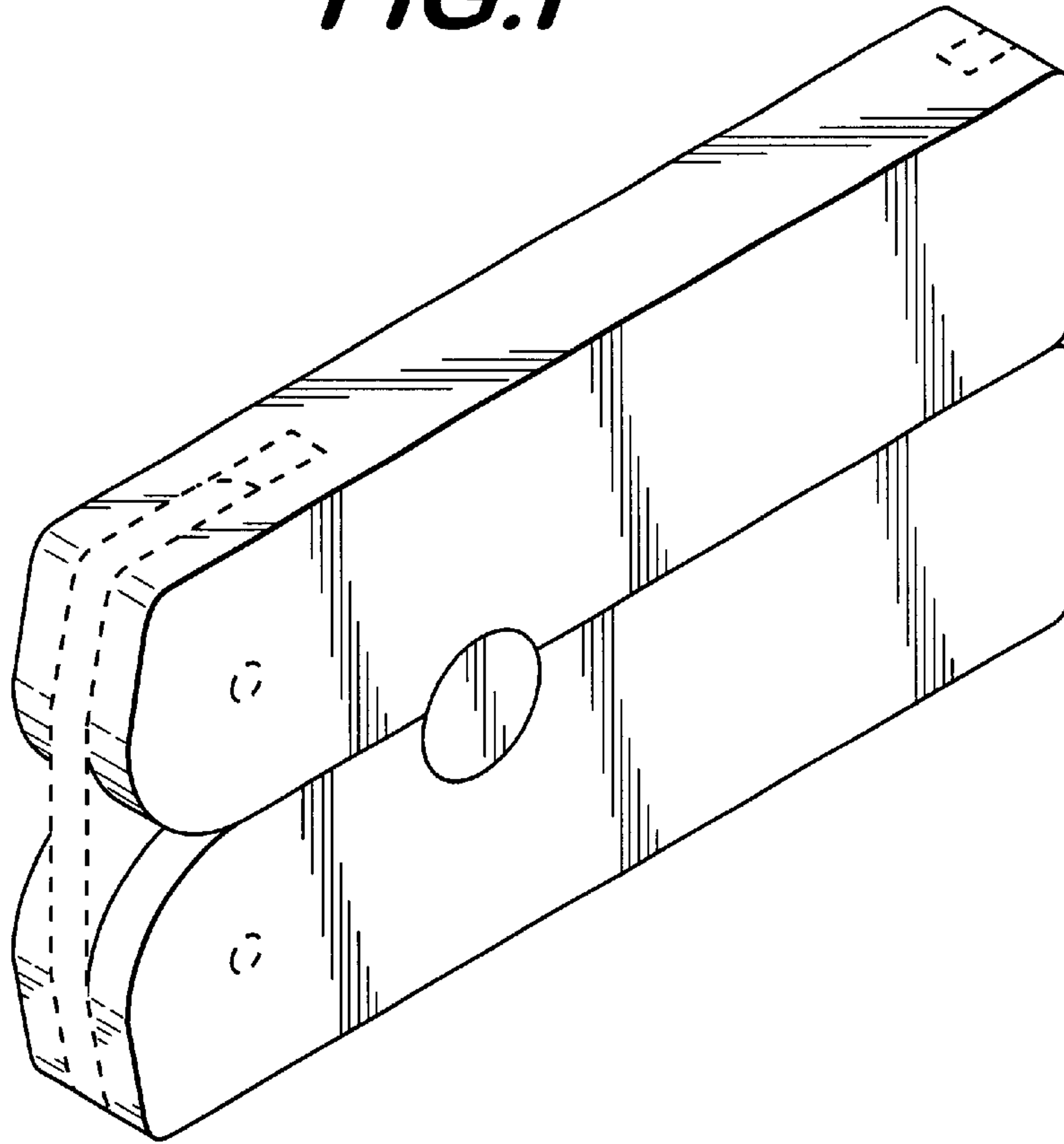


FIG. 5



FIG. 6

FIG. 2

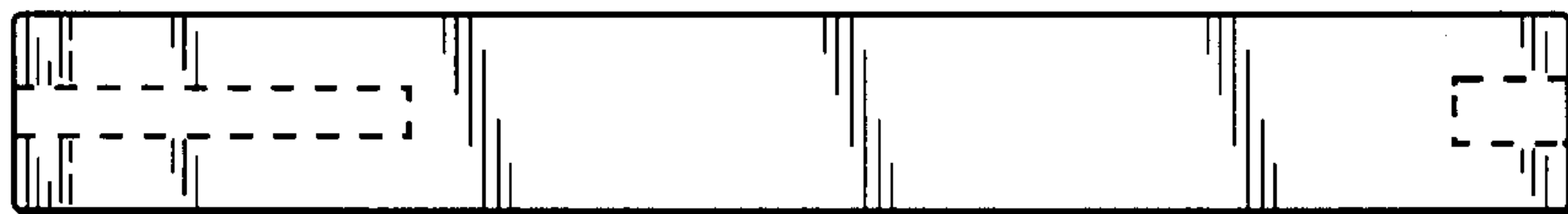
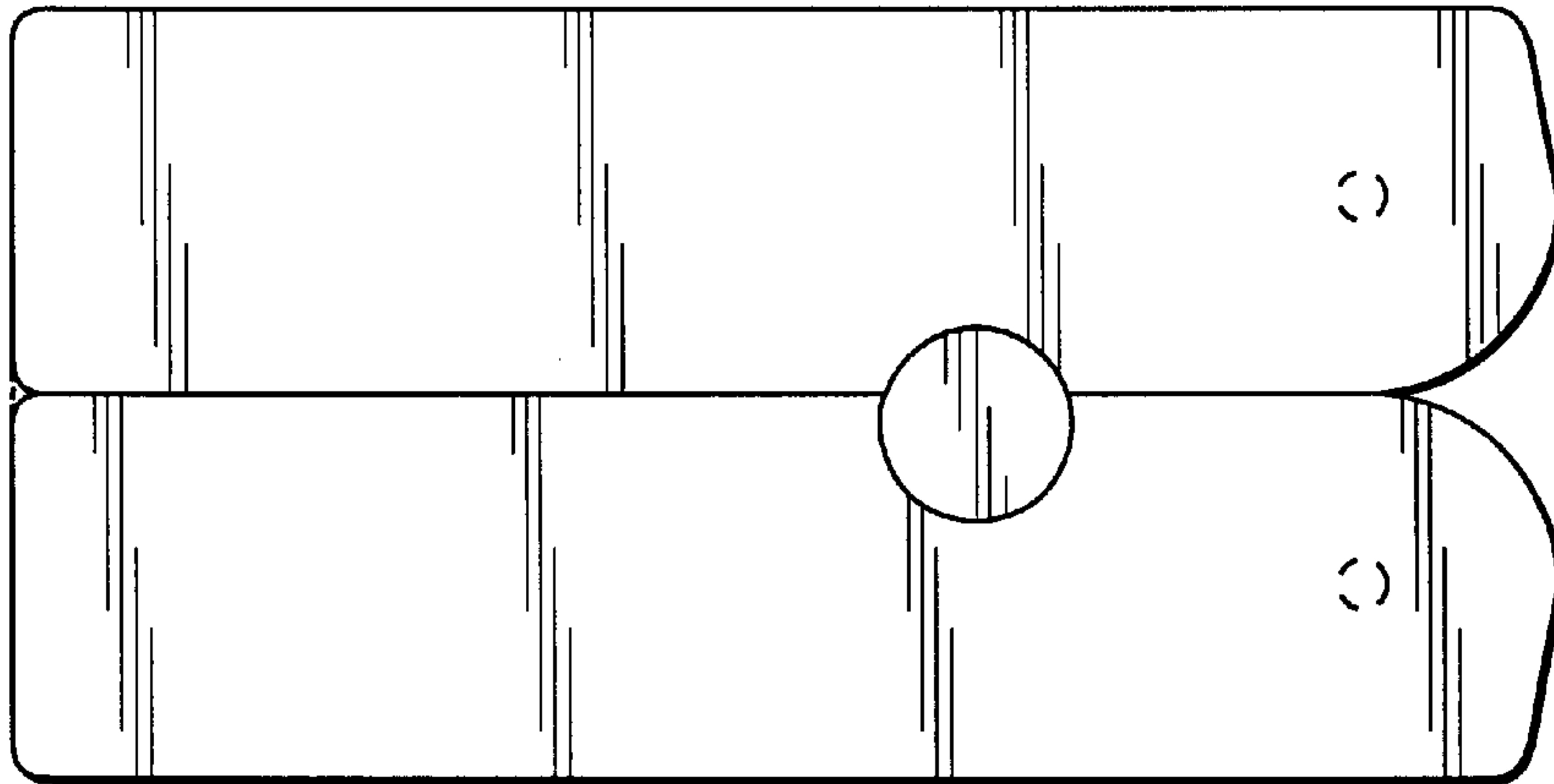


FIG. 3

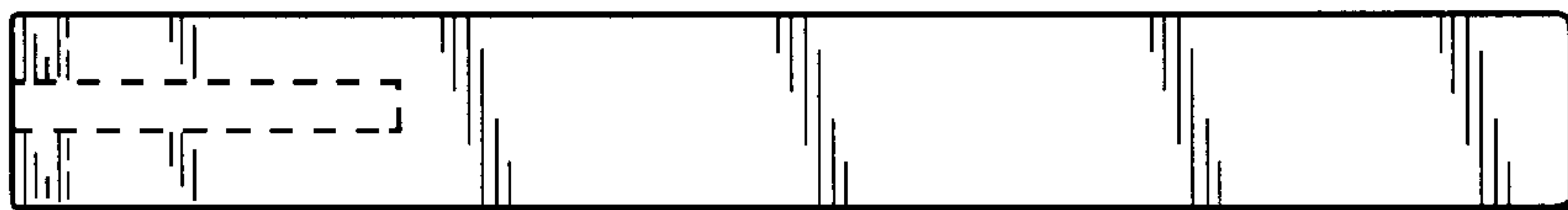


FIG. 4

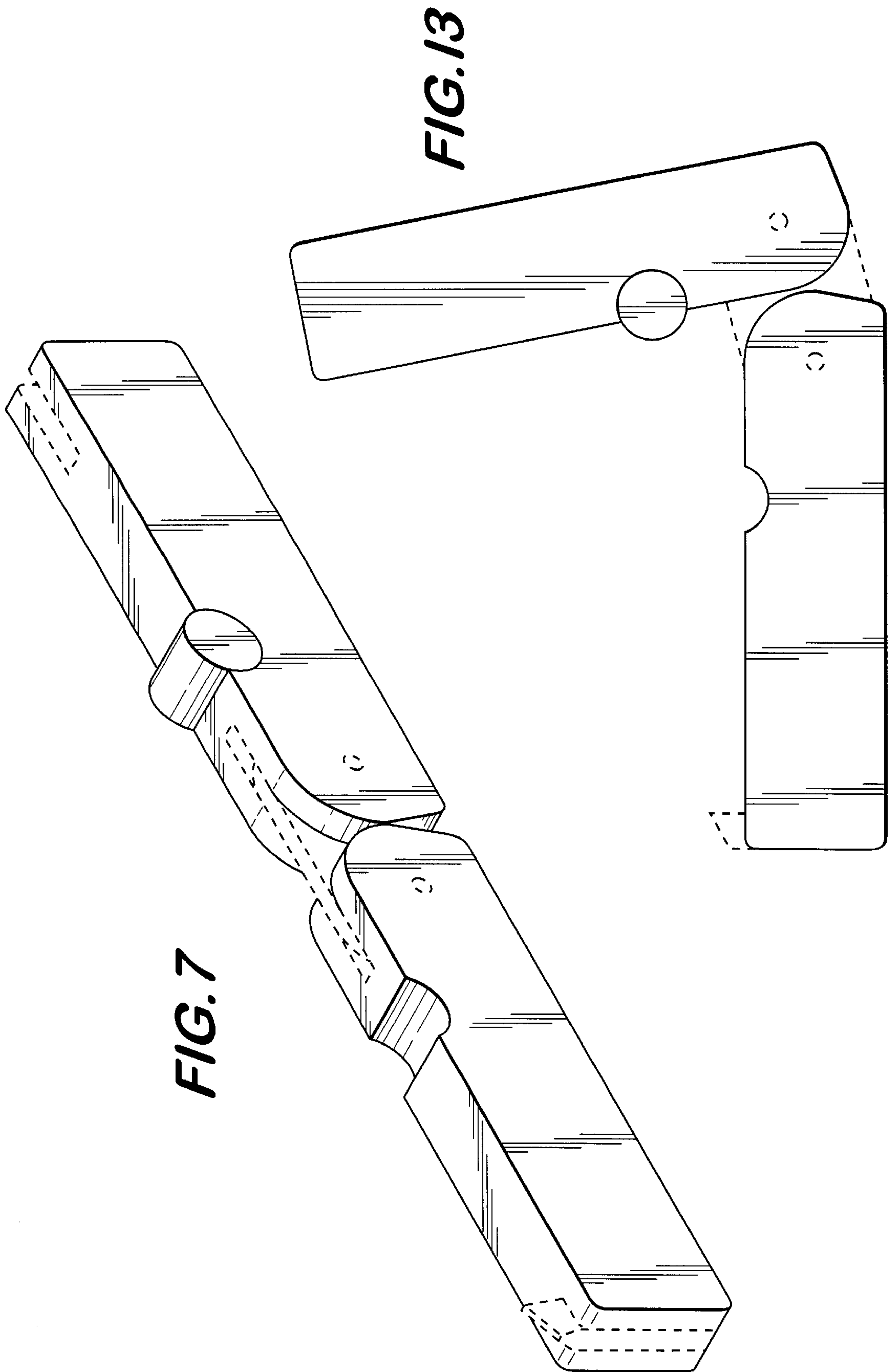


FIG. 8

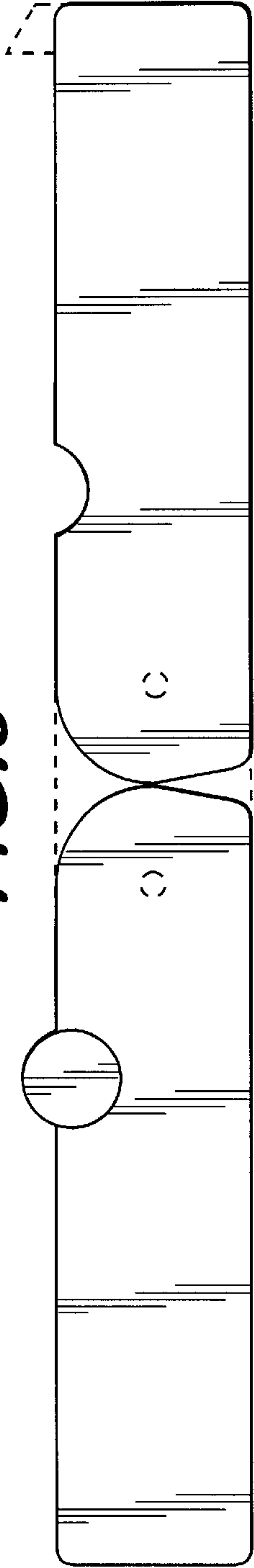


FIG. 9

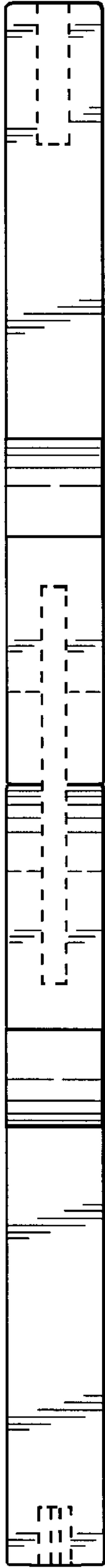


FIG. 10



FIG. 11

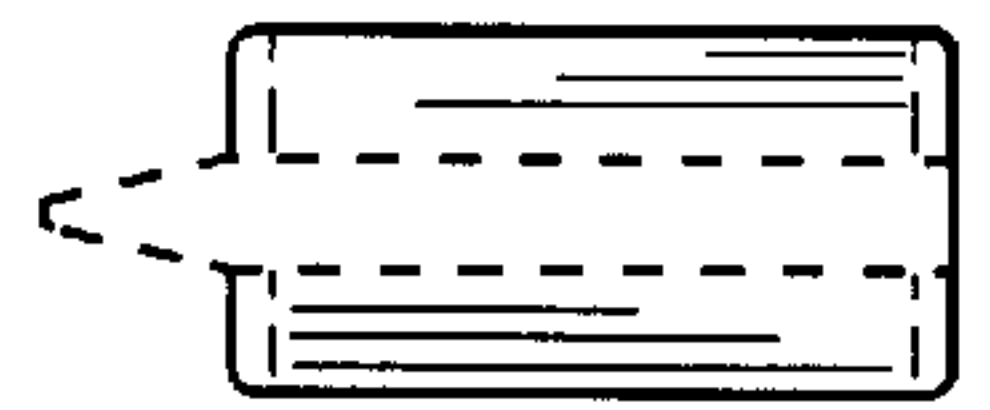


FIG. 12

