



US00D481763S

(12) **United States Design Patent**
Roy

(10) **Patent No.:** **US D481,763 S**

(45) **Date of Patent:** **** Nov. 4, 2003**

(54) **HOOP TOSS GAME**

(76) Inventor: **Jean Roy**, 632 Hélène-Paradis,
Charlesbourg, Québec (CA), G2G 3H6

(**) Term: **14 Years**

(21) Appl. No.: **29/161,255**

(22) Filed: **May 28, 2002**

(51) **LOC (7) Cl.** **21-02**

(52) **U.S. Cl.** **D21/304; D21/699**

(58) **Field of Search** D21/300-304,
D21/699, 702, 705; 273/336-339, 343,
348; 473/576-589, 514

(56) **References Cited**

U.S. PATENT DOCUMENTS

35,014 A	4/1862	Dechant	
70,510 A	11/1867	Bodmer	
152,821 A	7/1874	Baird	
264,483 A	9/1882	Smith	
280,426 A	7/1883	Wheeler	
406,179 A	7/1889	Porteous	
518,930 A	4/1894	Allen	
659,352 A	10/1900	Park	
1,230,503 A	6/1917	Miller	
1,480,563 A	1/1924	Morgan	
1,617,127 A	* 2/1927	Levay	273/339
1,705,501 A	3/1929	Sas	
2,365,513 A	12/1944	Bartle et al.	
2,538,128 A	* 1/1951	Simmons	273/339
2,626,062 A	1/1953	Manzella	
2,666,642 A	1/1954	Ward	
3,017,185 A	* 1/1962	Marshall	473/514
3,119,619 A	1/1964	Frank	
3,169,742 A	2/1965	Smith	
3,810,625 A	* 5/1974	Gulling	273/338
4,130,281 A	12/1978	Leber et al.	

4,132,410 A	1/1979	Montagna	
4,198,048 A	* 4/1980	Rathert	273/339
D257,745 S	* 12/1980	Abraham	D21/304
D264,483 S	* 5/1982	Raymond	D21/304
4,726,591 A	2/1988	Johnson	
4,819,947 A	4/1989	Mackey	
4,966,373 A	* 10/1990	Houle et al.	273/339
6,135,455 A	10/2000	McNally	
6,168,160 B1	1/2001	DeOreo et al.	

* cited by examiner

Primary Examiner—Ted Shooman

Assistant Examiner—C Tuttle

(74) *Attorney, Agent, or Firm*—Ogilvy Renault; Robert Mitchell

(57) **CLAIM**

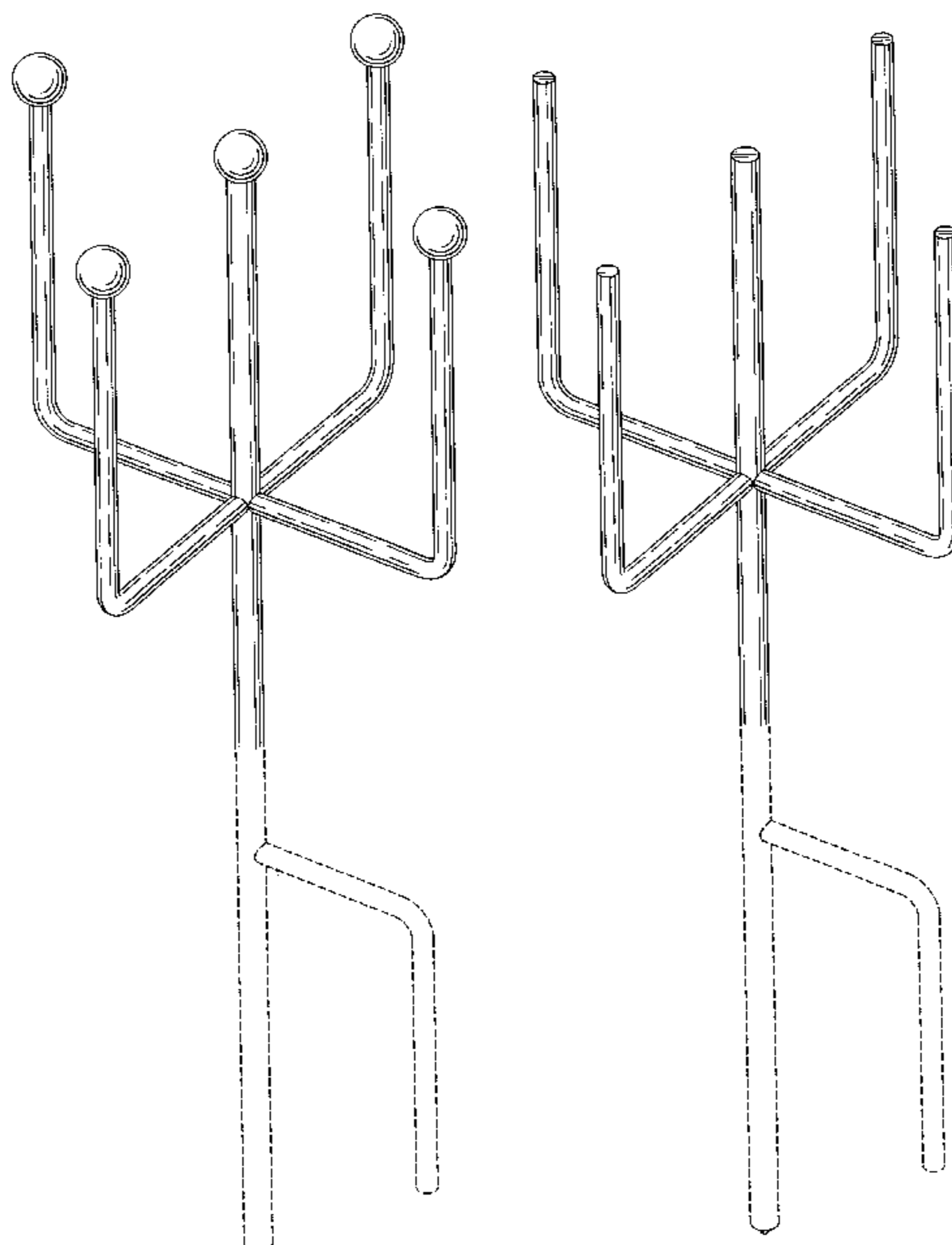
The ornamental design for a “hoop toss game”, as shown and described.

DESCRIPTION

FIG. 1 is a perspective view of the hoop toss game showing my new design;
 FIG. 2 is a front elevational view thereof;
 FIG. 3 is a right side elevational view thereof;
 FIG. 4 is a left side elevational view thereof;
 FIG. 5 is a top plan view thereof;
 FIG. 6 is a perspective view of another embodiment showing my new design;
 FIG. 7 is a front elevational view thereof;
 FIG. 8 is a right side elevational view thereof;
 FIG. 9 is a left side elevational view thereof; and,
 FIG. 10 is a top plan view thereof.

The broken line showing of the lower portions of the hoop toss game is for illustrative purposes only and forms no part of the claimed design.

1 Claim, 10 Drawing Sheets



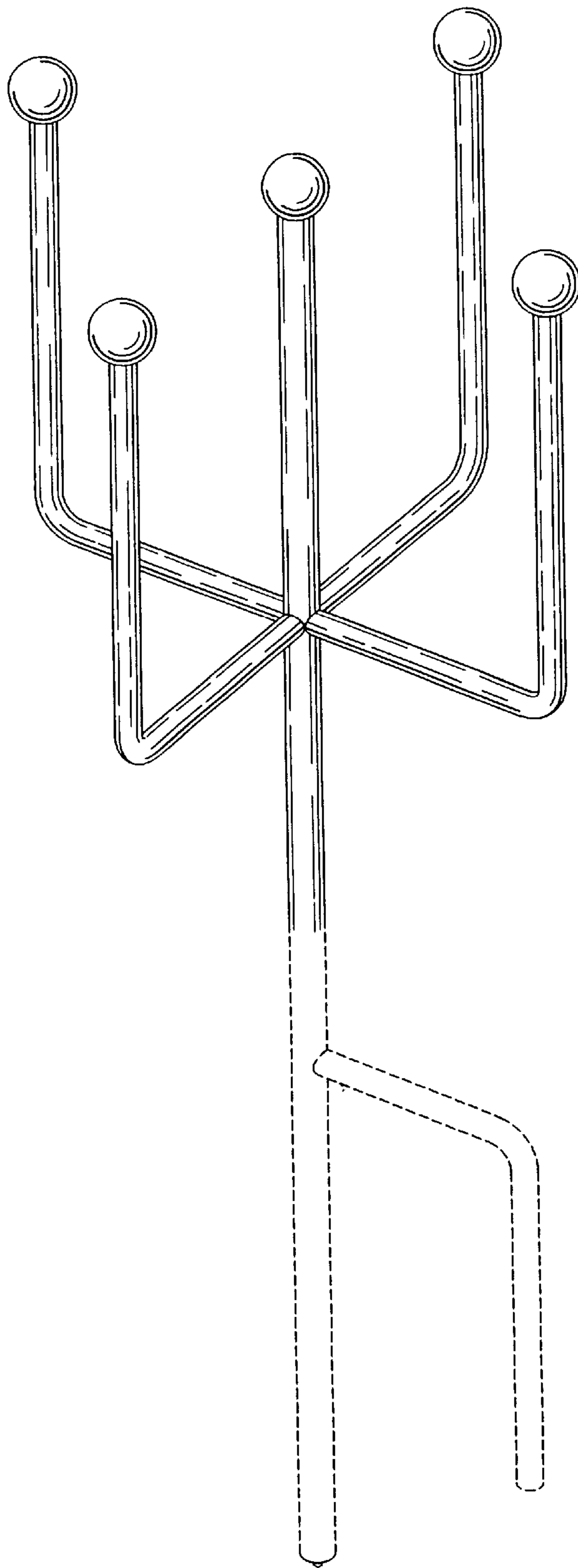


FIG. 1

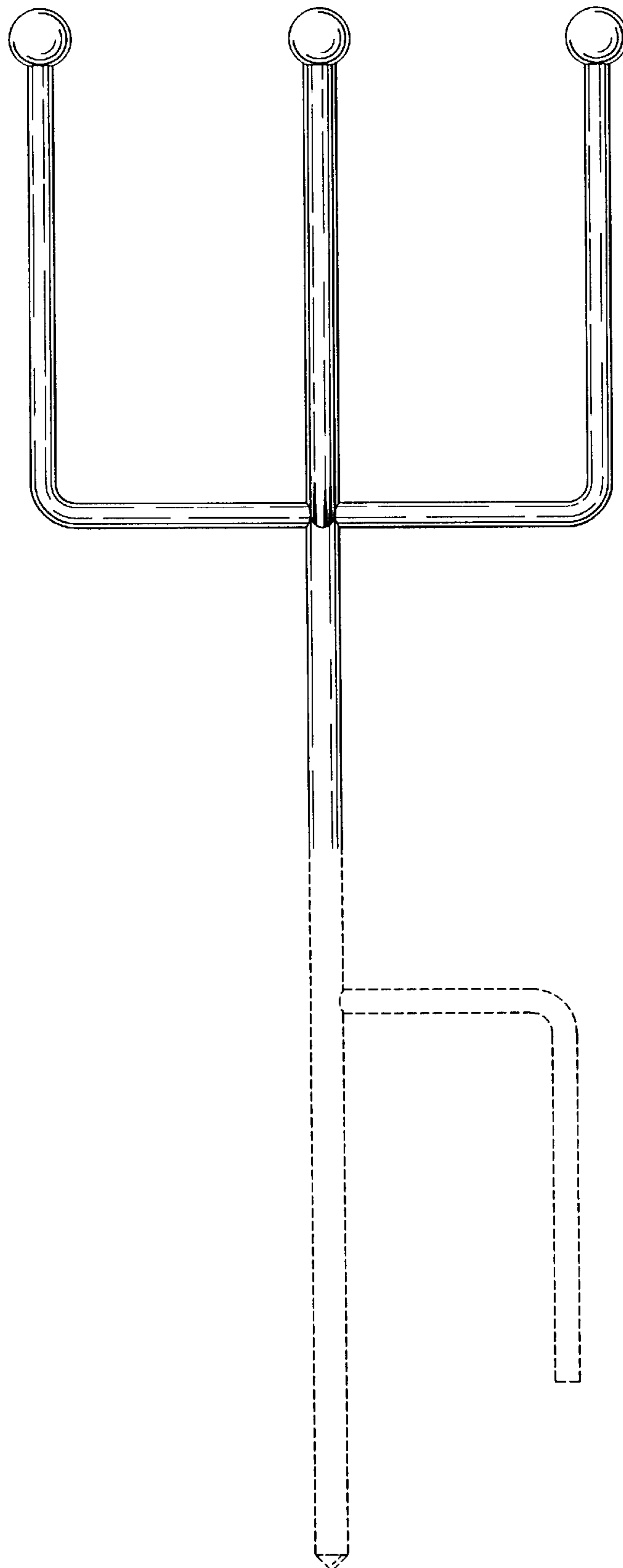


FIG. 2

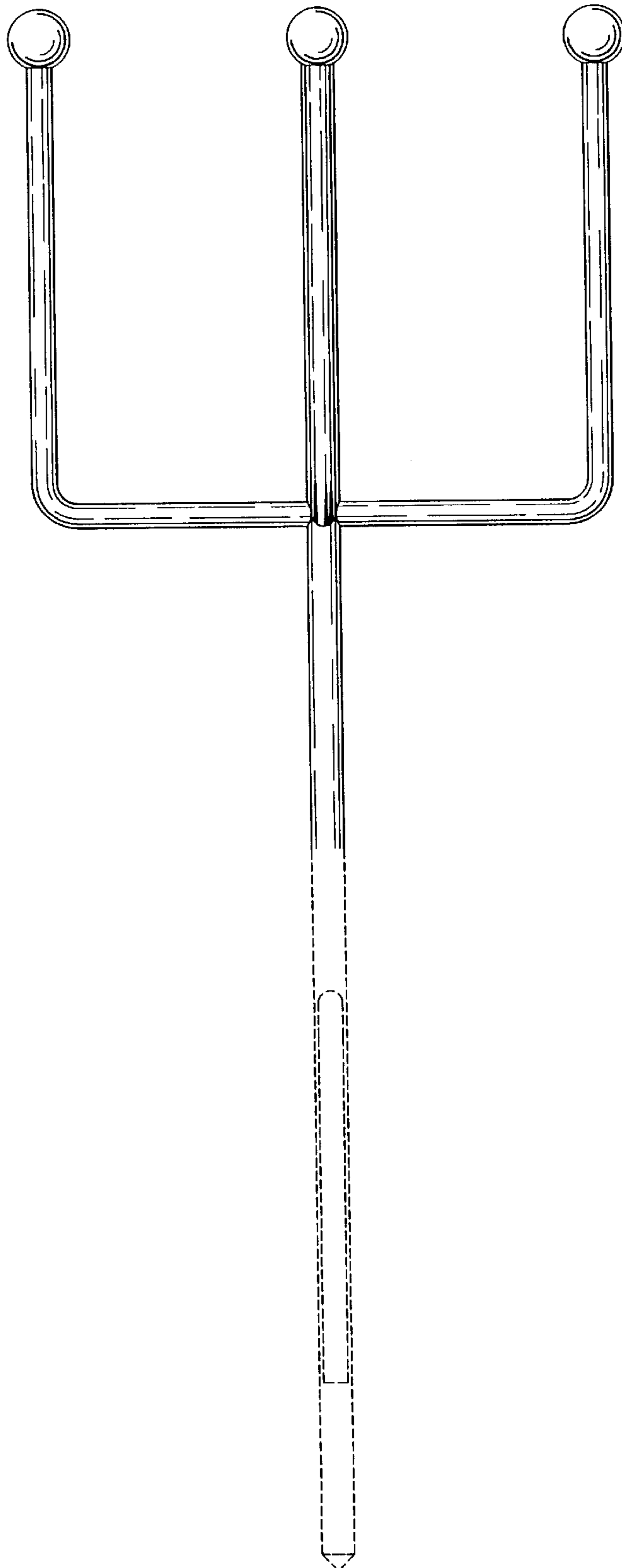


FIG. 3

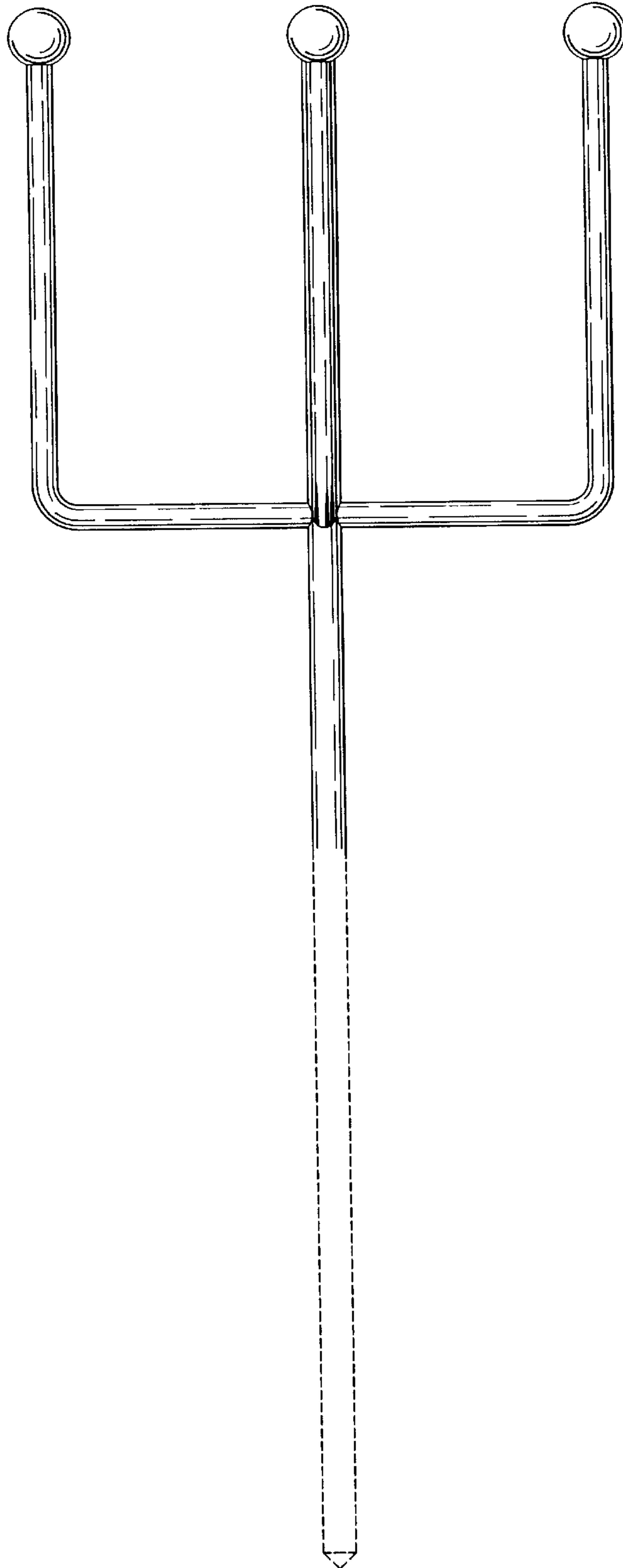


FIG. 4

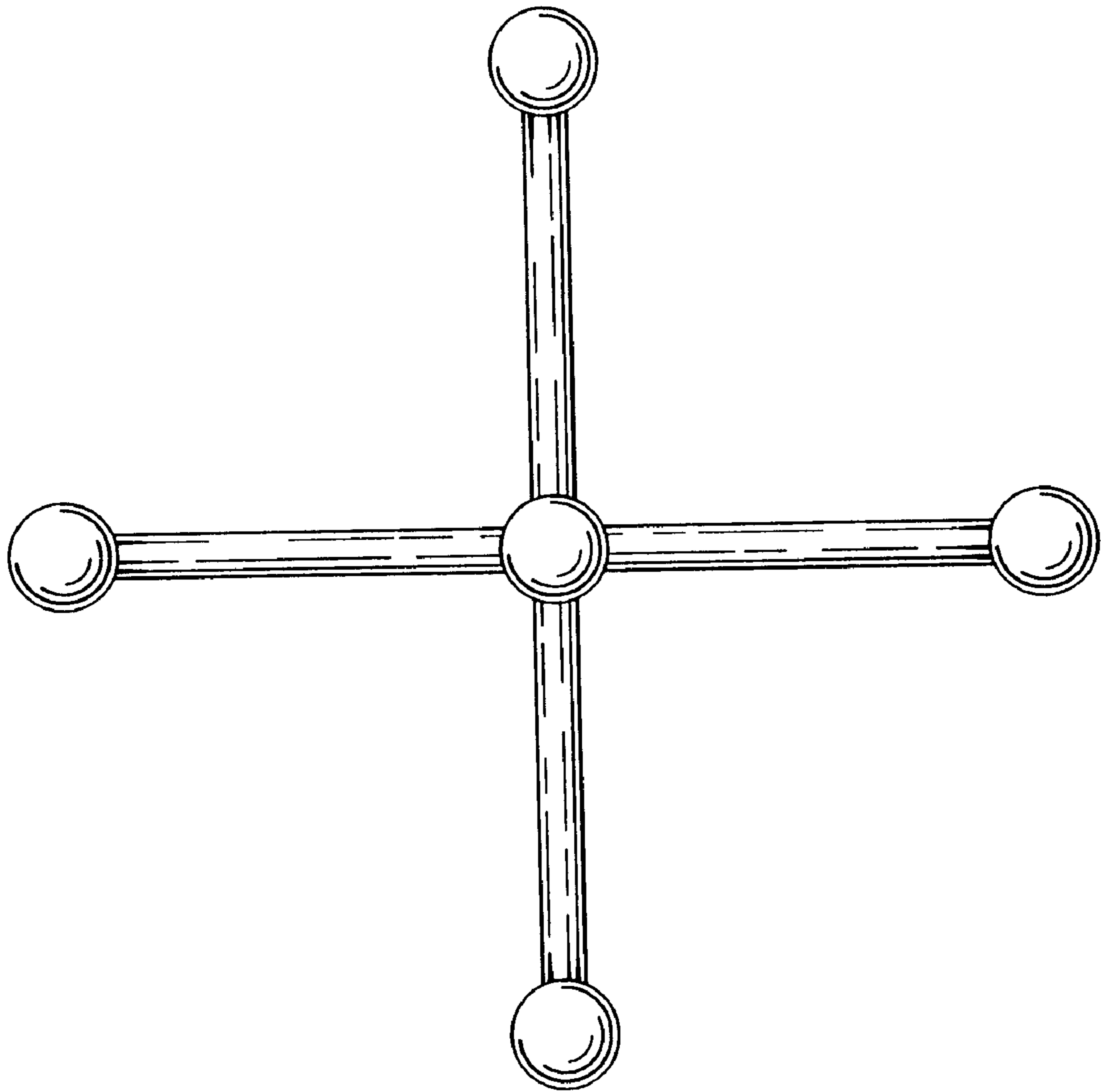


FIG. 5

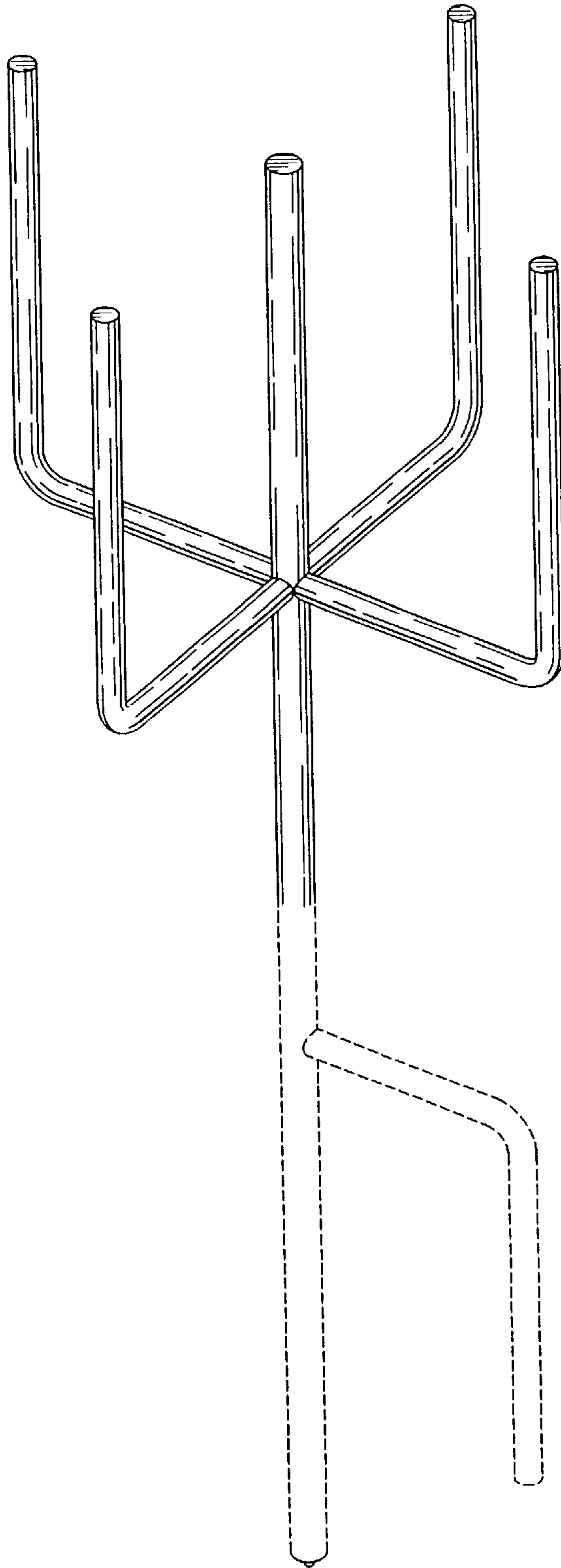


FIG. 6

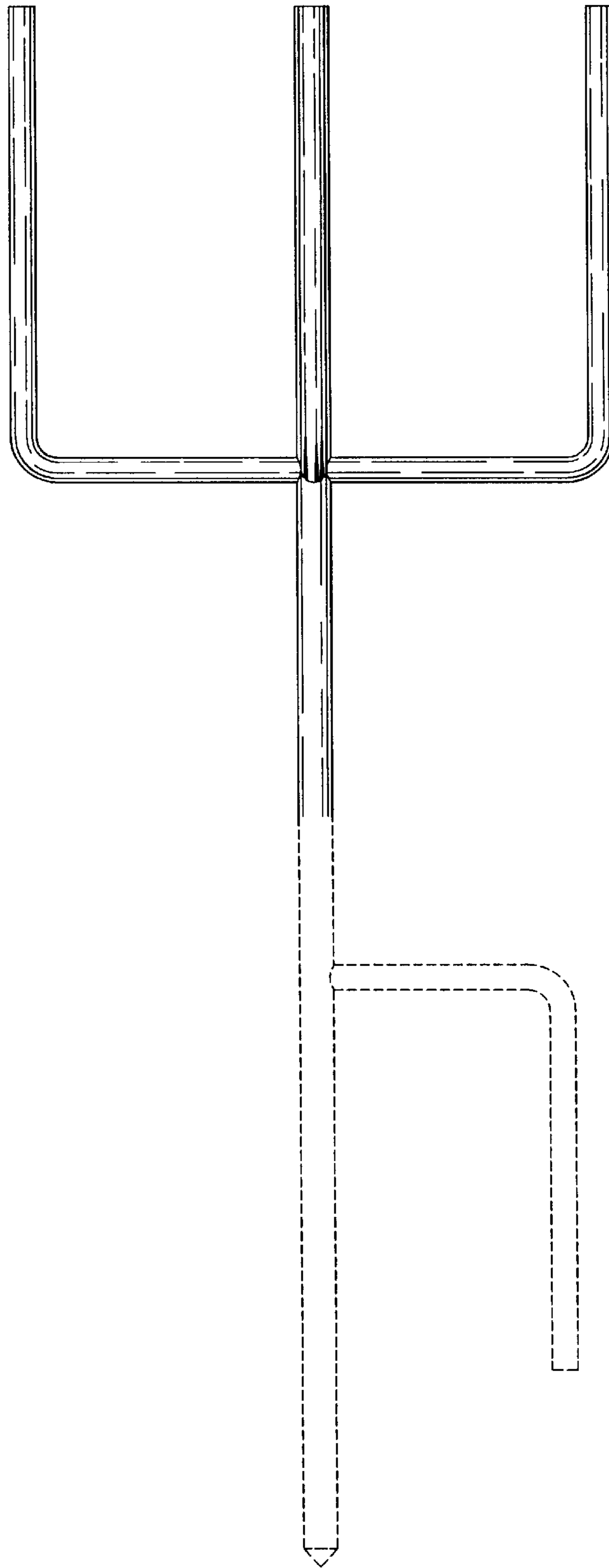


FIG. 7

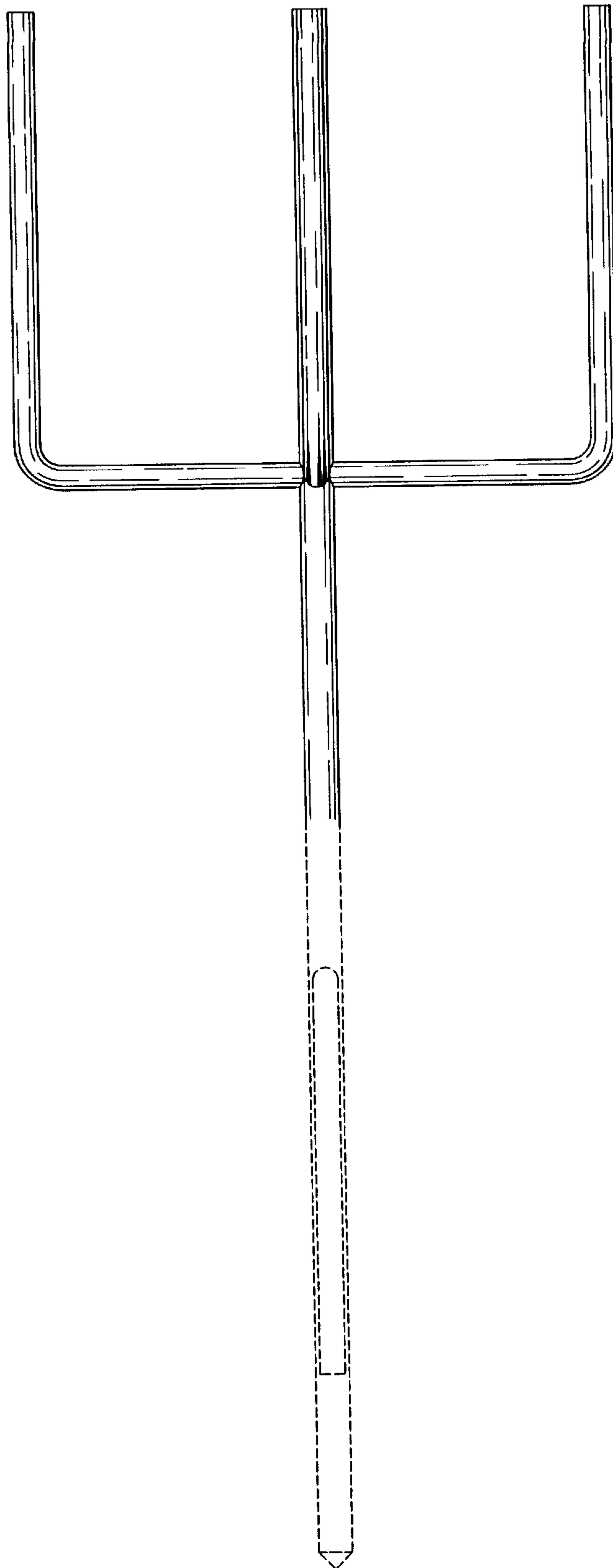


FIG. 8

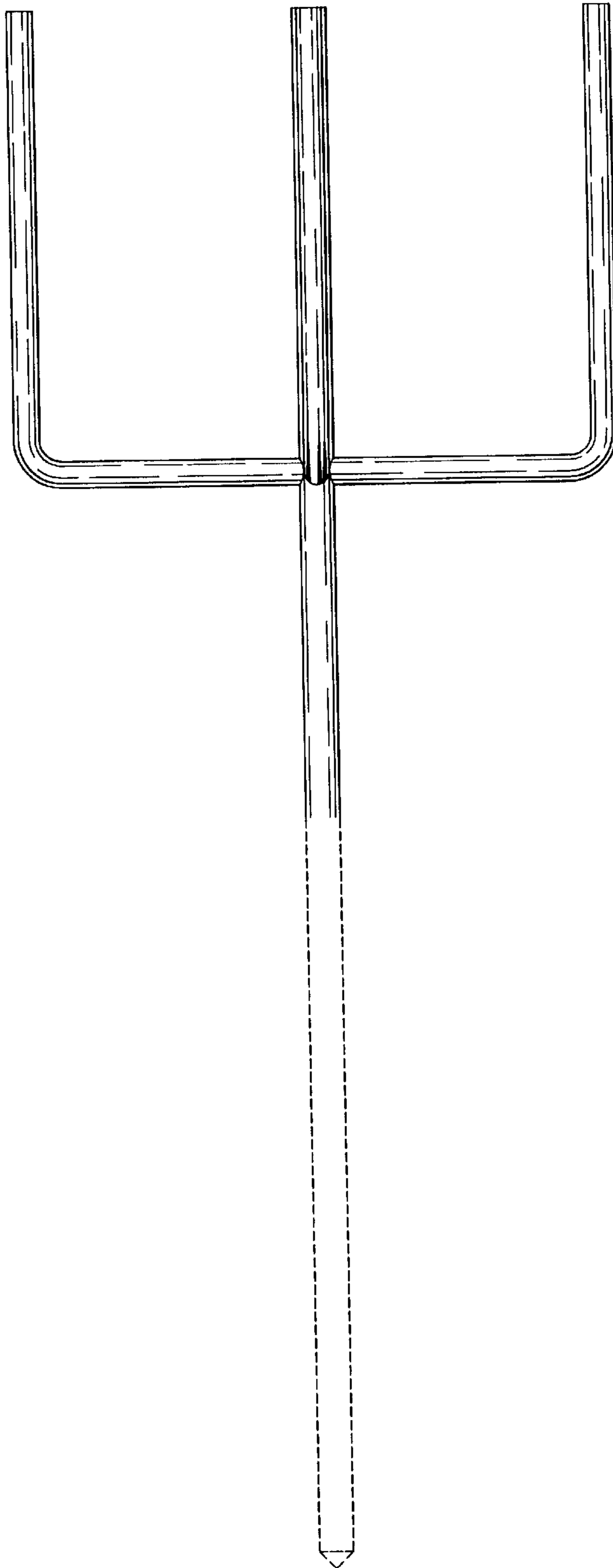


FIG. 9

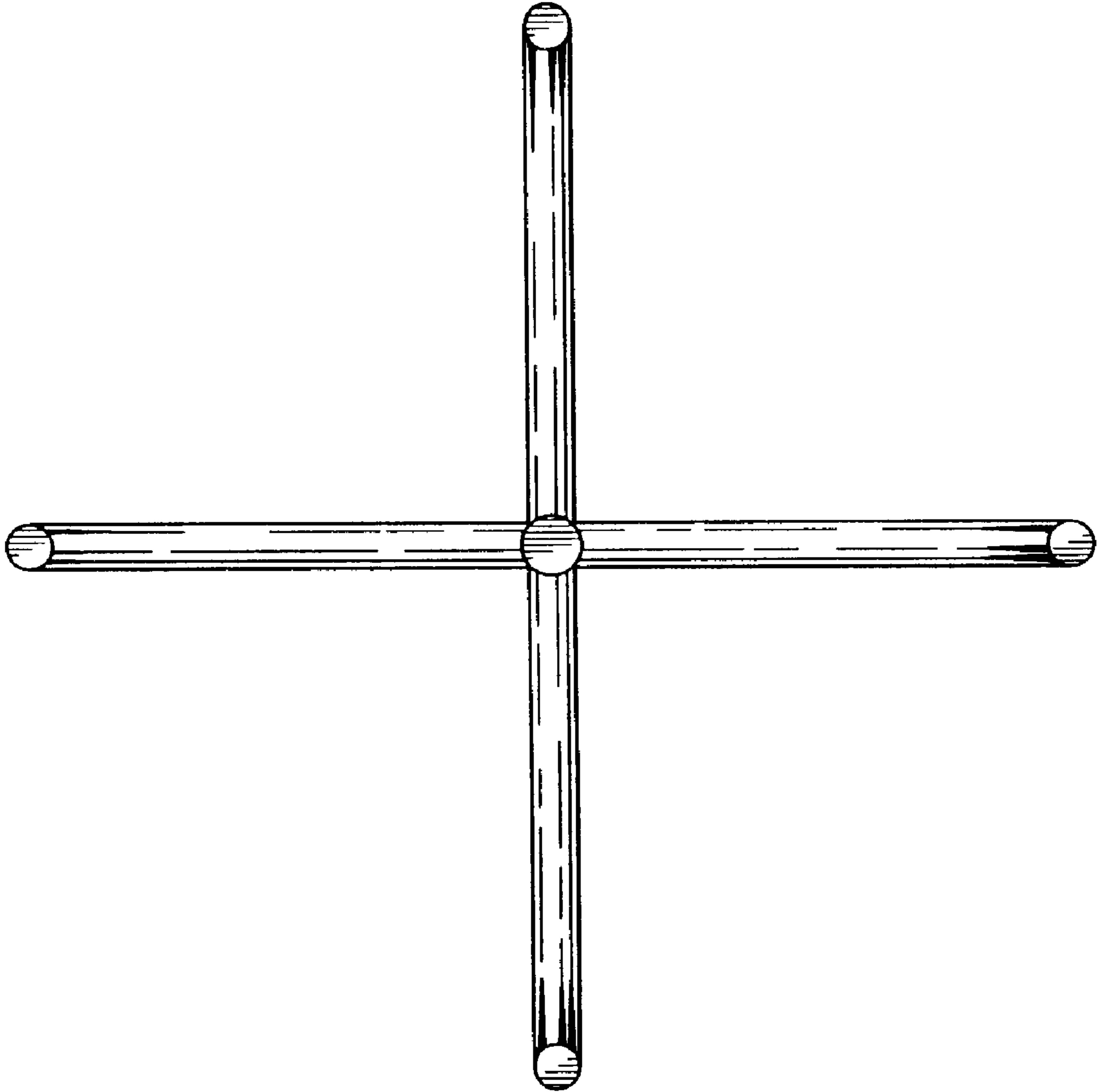


FIG. 10