



US00D481760S

(12) **United States Design Patent**
Shimada et al.

(10) **Patent No.:** **US D481,760 S**

(45) **Date of Patent:** **** Nov. 4, 2003**

(54) **BINDING APPARATUS**

(75) Inventors: **Hiroshi Shimada**, Tokyo (JP);
Naotoshi Toda, Tokyo (JP); **Tomohiro**
Yatabe, Tokyo (JP)

(73) Assignee: **King Jim Co., Ltd.**, Tokyo (JP)

(**) Term: **14 Years**

(21) Appl. No.: **29/173,509**

(22) Filed: **Dec. 31, 2002**

(30) **Foreign Application Priority Data**

Oct. 4, 2002 (JP) 2002-027245

(51) **LOC (7) Cl.** **19-04**

(52) **U.S. Cl.** **D19/32**

(58) **Field of Search** D19/27, 32; 24/67 R;
281/15.1, 19.1, 27.1, 27.2, 27.3, 28, 29,
45; 402/26, 31, 36, 37, 38, 39, 40, 41,
42, 80 R, 80 L, 80 P, 68; 412/43; D8/394

(56) **References Cited**

U.S. PATENT DOCUMENTS

1,316,198 A * 9/1919 Skelton 402/68
3,874,705 A * 4/1975 Abildgaard et al. 281/29
D268,348 S * 3/1983 Beleckis D19/32

4,674,906 A * 6/1987 Abildgaard 402/80 P
4,973,085 A * 11/1990 Groswith, III 281/28
D411,478 S * 6/1999 Kenagy D11/220

* cited by examiner

Primary Examiner—Doris V. Coles

Assistant Examiner—Elizabeth A. Albert

(74) *Attorney, Agent, or Firm*—Frishauf, Holtz, Goodman
& Chick, P.C.

(57) **CLAIM**

The ornamental design for a binding apparatus, as shown
and described.

DESCRIPTION

FIG. 1 is a top, front, left side view of a binding apparatus
showing our new design;
FIG. 2 is a front view thereof, the rear view being identical;
FIG. 3 is a top plan view thereof;
FIG. 4 is a top plan view thereof;
FIG. 5 is a left side view thereof;
FIG. 6 is a right side view thereof;
FIG. 7 is an exploded top, front, left side perspective view
thereof in a separated state;
FIG. 8 is an enlarged right side view thereof; and,
FIG. 9 is an enlarged left side view thereof.

1 Claim, 4 Drawing Sheets

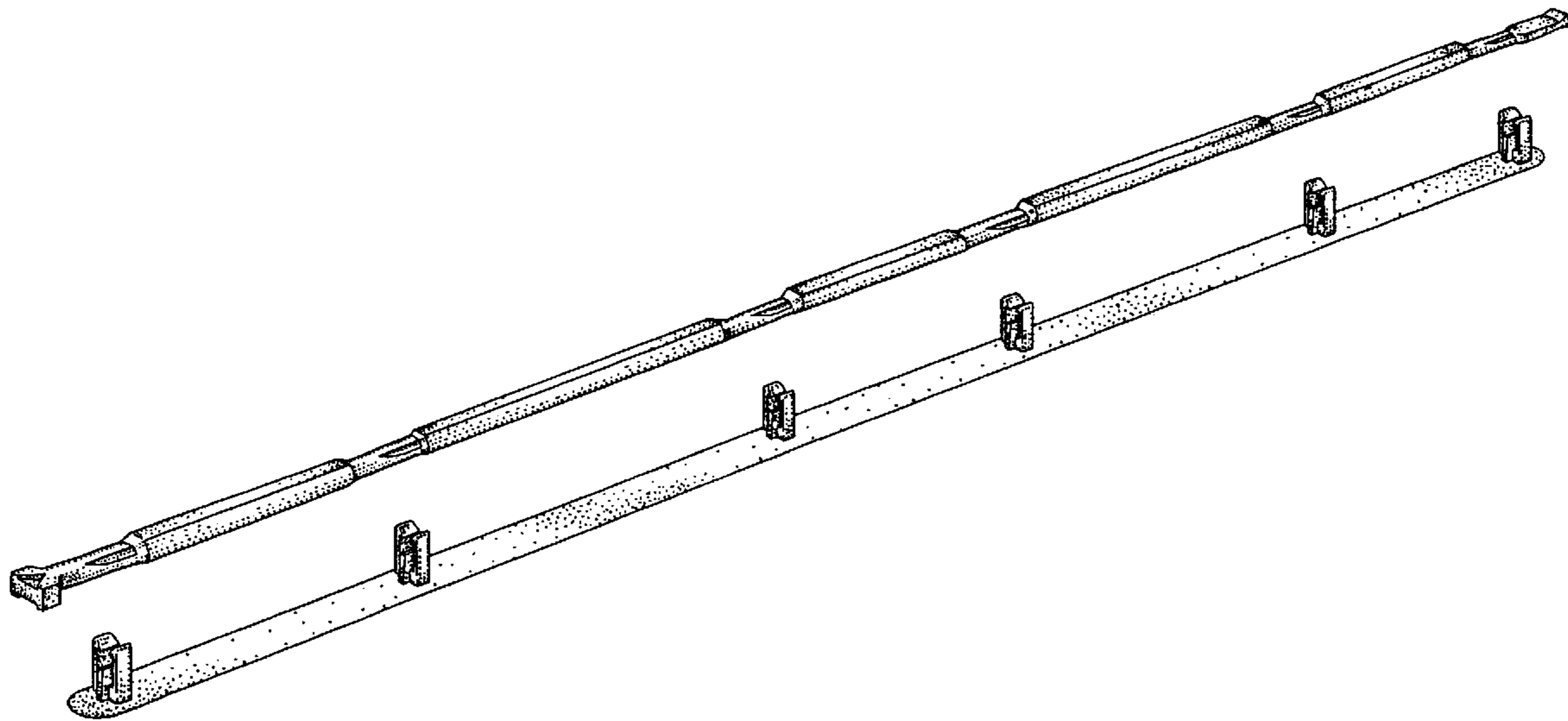


FIG. 1.

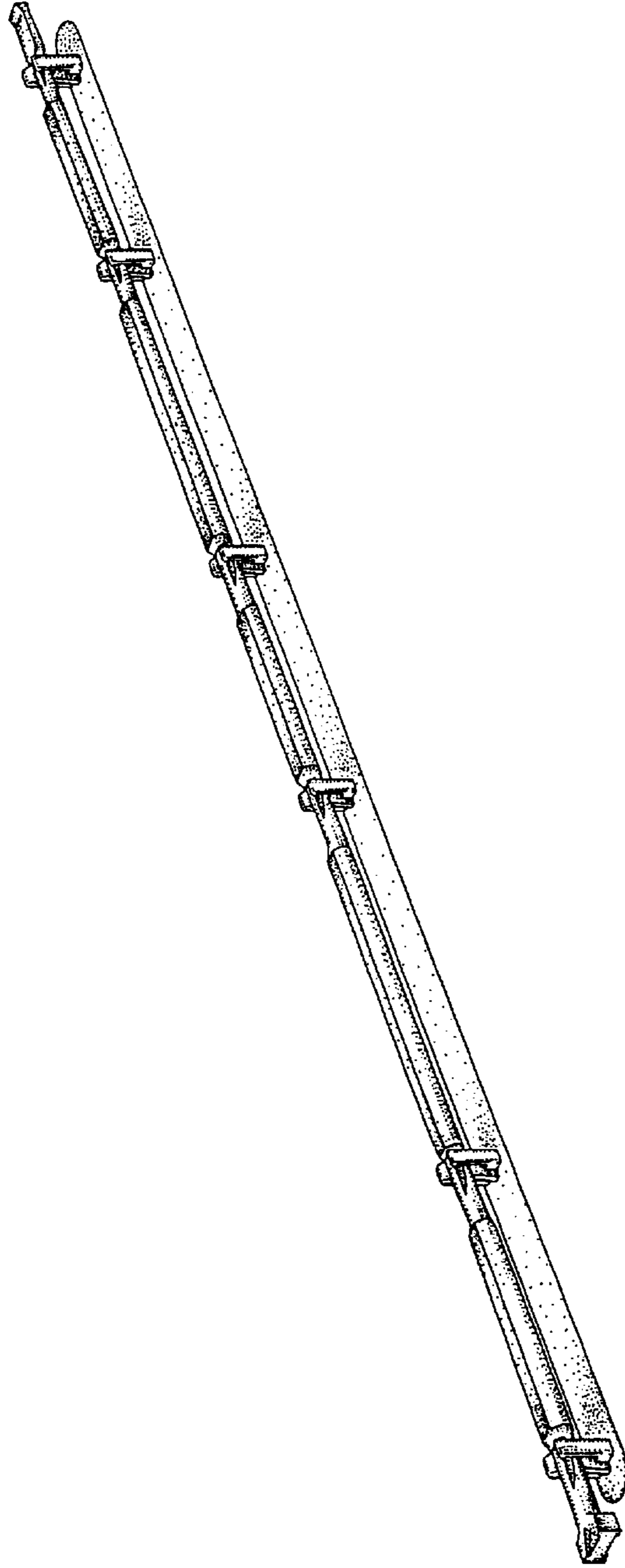


FIG. 2



FIG. 3

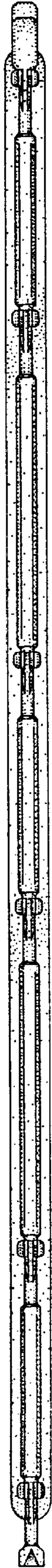


FIG. 4



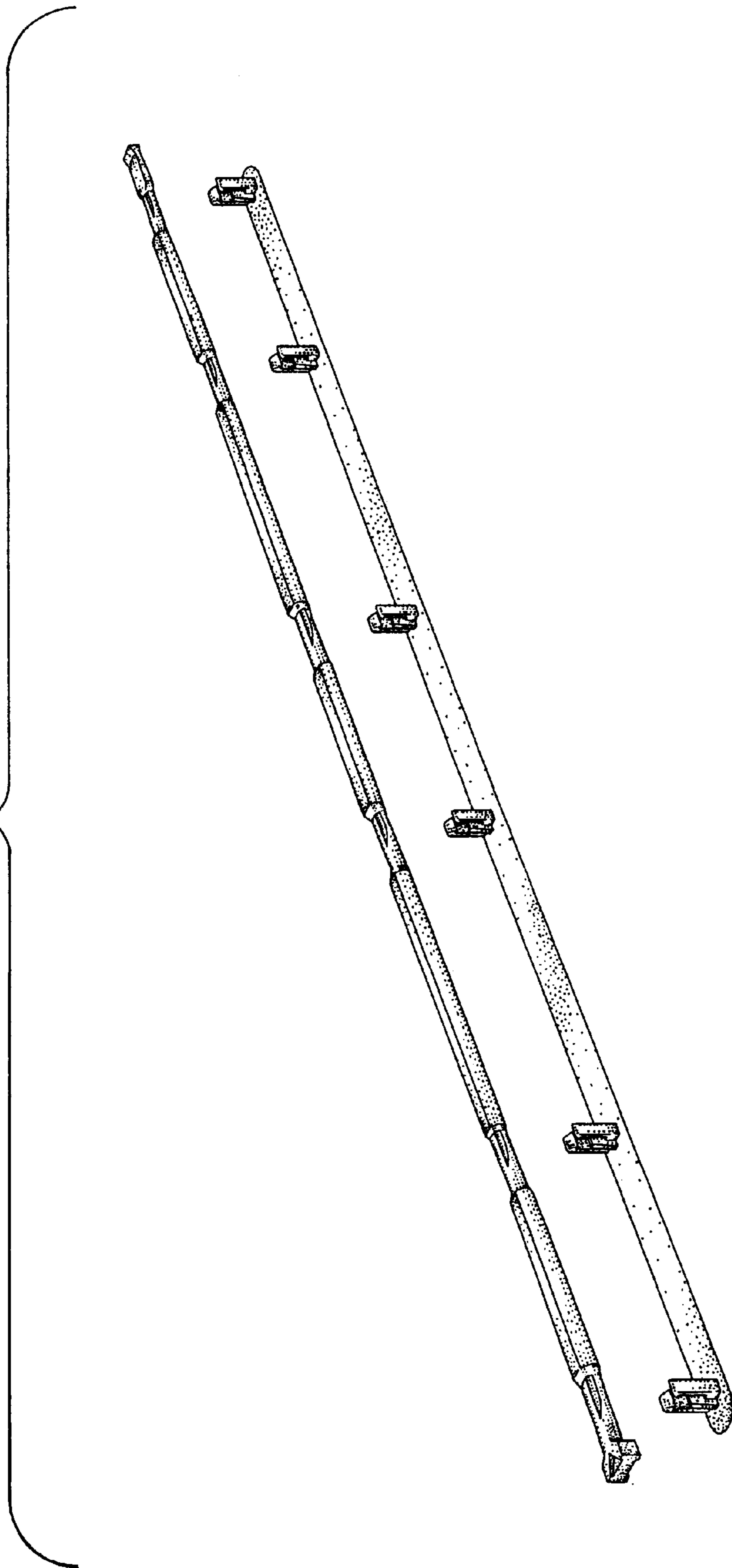
FIG. 5



FIG. 6



FIG. 7



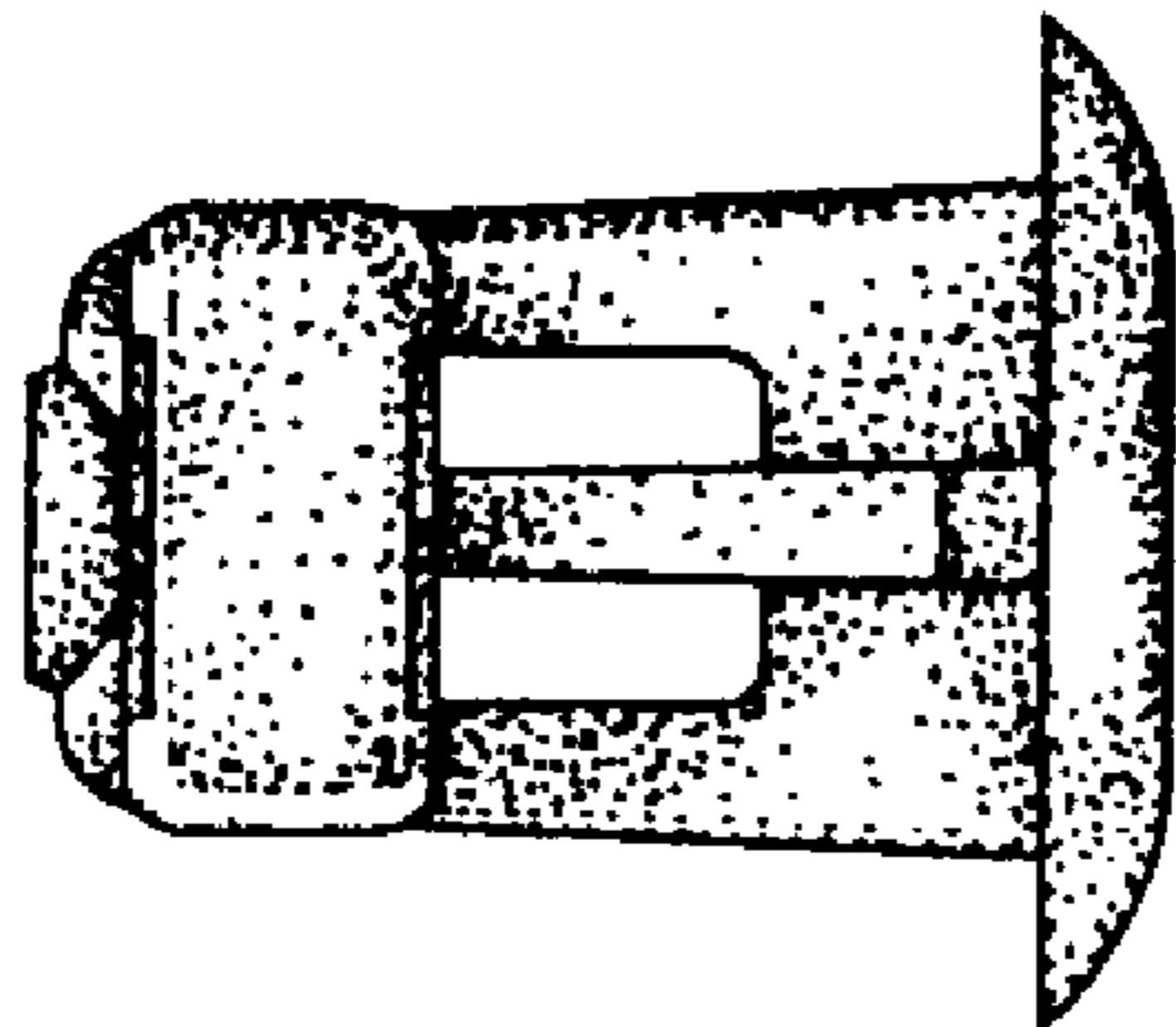
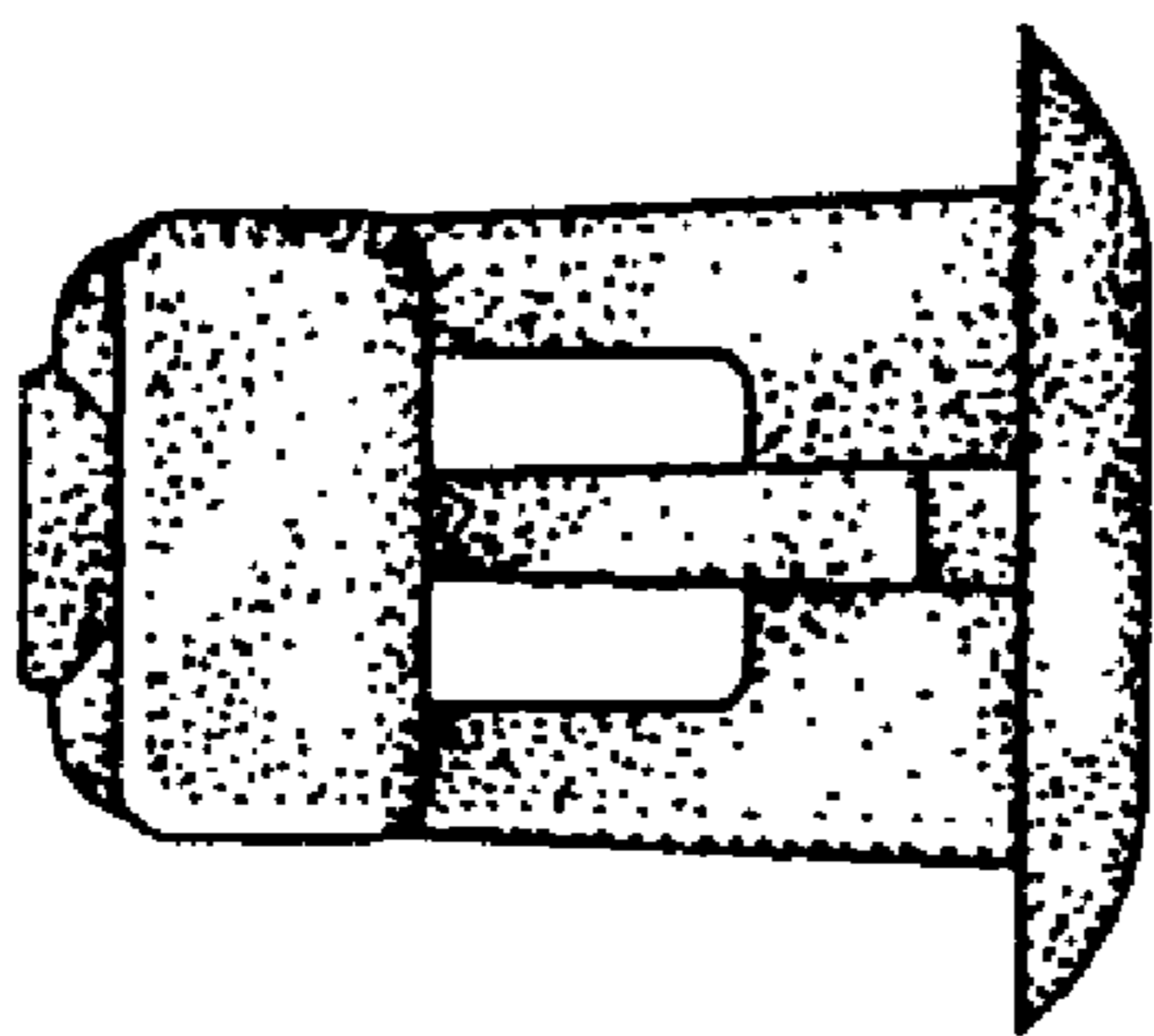


FIG. 8

FIG. 9