



US00D481758S

(12) **United States Design Patent** (10) **Patent No.:** **US D481,758 S**
Jones (45) **Date of Patent:** **** *Nov. 4, 2003**

(54) **COLOR INK STICK FOR SOLID INK PRINTER**
(75) Inventor: **Brent R. Jones**, Tualatin, OR (US)
(73) Assignee: **Xerox Corporation**, Stamford, CT (US)
(*) Notice: This patent is subject to a terminal disclaimer.
(**) Term: **14 Years**
(21) Appl. No.: **29/167,975**
(22) Filed: **Sep. 25, 2002**
(51) **LOC (7) Cl.** **18-02**
(52) **U.S. Cl.** **D18/56**
(58) **Field of Search** D18/56, 43; 347/88, 347/99; 106/31.29, 31.61

D403,699 S 1/1999 Chin et al.
D407,109 S 3/1999 Yao et al.
D407,110 S 3/1999 Yao et al.
D407,111 S 3/1999 Brown et al.
D407,112 S 3/1999 Chin et al.
D407,742 S 4/1999 Yao et al.
D407,743 S 4/1999 Yao et al.
D407,745 S 4/1999 Brown et al.
D408,849 S 4/1999 Chin et al.
D409,235 S 5/1999 Chin et al.
D409,237 S 5/1999 Ellers et al.
D410,026 S 5/1999 Brown et al.
D410,490 S 6/1999 Mattern et al.
D412,527 S 8/1999 Ellers et al.
D412,528 S 8/1999 Ellers et al.
D412,934 S 8/1999 Jones
D413,625 S 9/1999 Brown et al.
D414,200 S 9/1999 Jones
D415,193 S 10/1999 Jones
D436,124 S 1/2001 Mattern et al.
D436,989 S 1/2001 Mattern et al.
D440,248 S 4/2001 Mattern et al.
D440,249 S 4/2001 Ellers et al.
D453,786 S 2/2002 Mattern
D453,787 S 2/2002 Mattern

(56) **References Cited**

U.S. PATENT DOCUMENTS

D335,683 S 5/1993 Smith
5,223,860 A 6/1993 Loofbourow et al.
D346,821 S 5/1994 Smith
5,442,387 A 8/1995 Loofbourow et al.
5,510,821 A 4/1996 Jones et al.
D371,801 S 7/1996 Jones et al.
D371,802 S 7/1996 Jones et al.
D372,268 S 7/1996 Jones et al.
D372,270 S 7/1996 Jones et al.
D373,139 S 8/1996 Jones et al.
D379,470 S 5/1997 Gilbert
D379,471 S 5/1997 Gilbert
D379,639 S 6/1997 Gilbert
D379,640 S 6/1997 Gilbert
D380,771 S 7/1997 Jones
D383,153 S 9/1997 Jones et al.
D383,154 S 9/1997 Jones et al.
5,734,402 A * 3/1998 Rousseau et al. 347/88
5,784,089 A * 7/1998 Crawford 347/88
D402,308 S 12/1998 Yao et al.
D403,351 S 12/1998 Yao et al.
D403,352 S 12/1998 Brown et al.

* cited by examiner

Primary Examiner—Cathy Anne MacCormac

(57) **CLAIM**

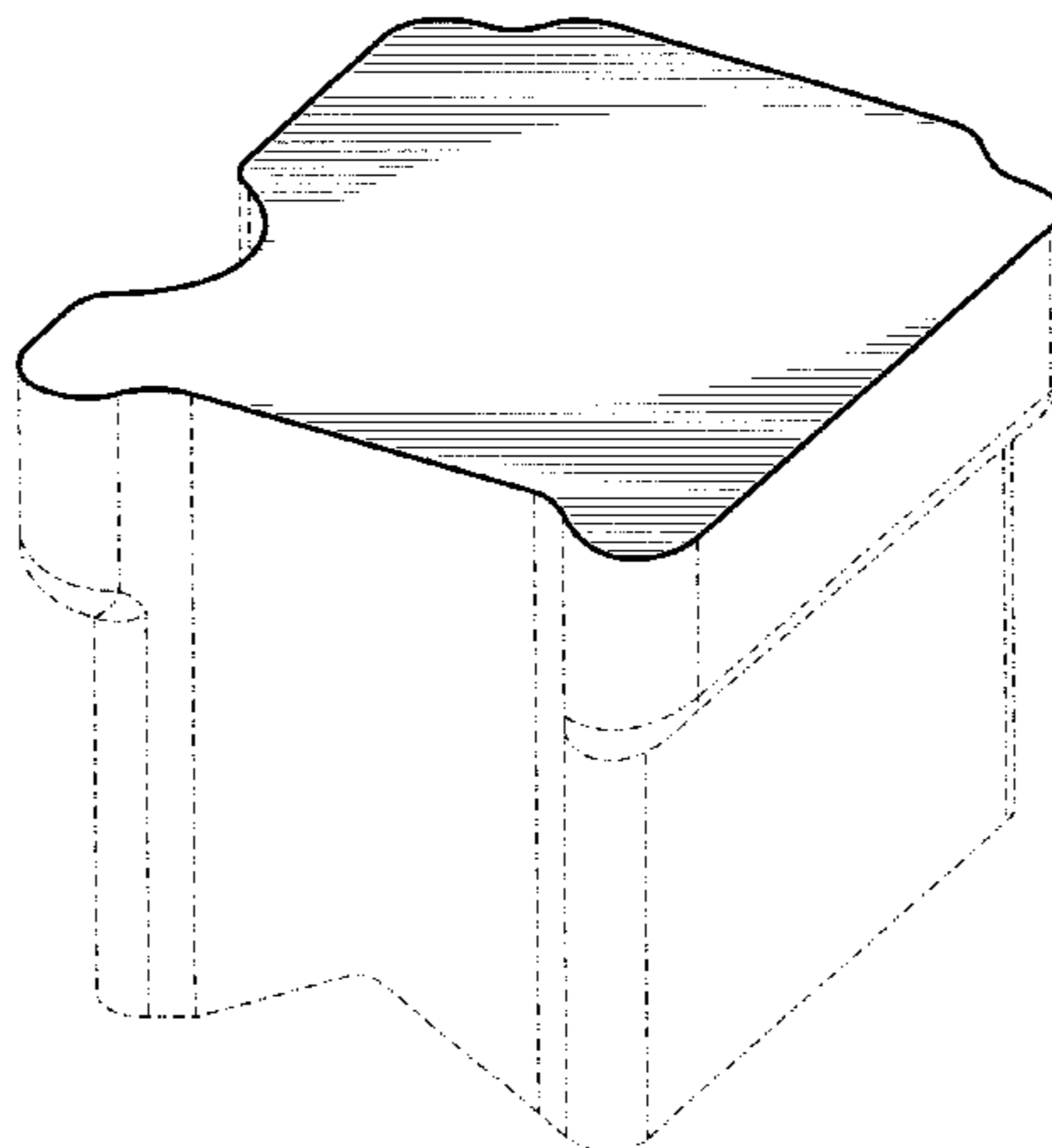
The ornamental design for a color ink stick for solid ink printer, as shown and described.

DESCRIPTION

FIG. 1 is a front perspective view of a color ink stick for solid ink printer showing my new design; FIG. 2 is a right side elevation view thereof; FIG. 3 is a front elevation view thereof; FIG. 4 is a left side elevation view thereof; FIG. 5 is a rear elevation view thereof; and, FIG. 6 is a top plan view thereof.

The broken lines are for purposes of illustration only and form no part of the claimed design.

1 Claim, 3 Drawing Sheets



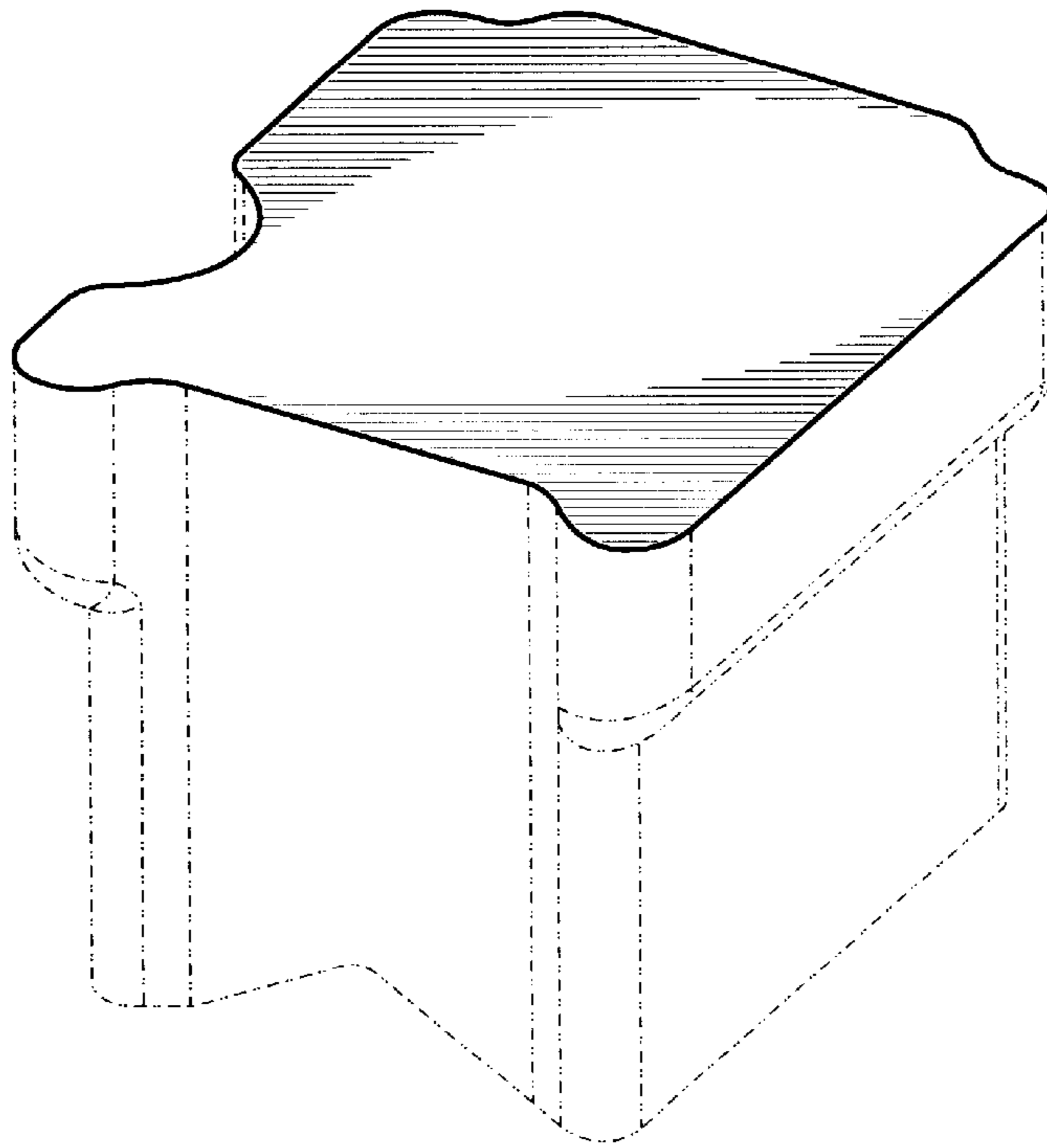


FIG. 1

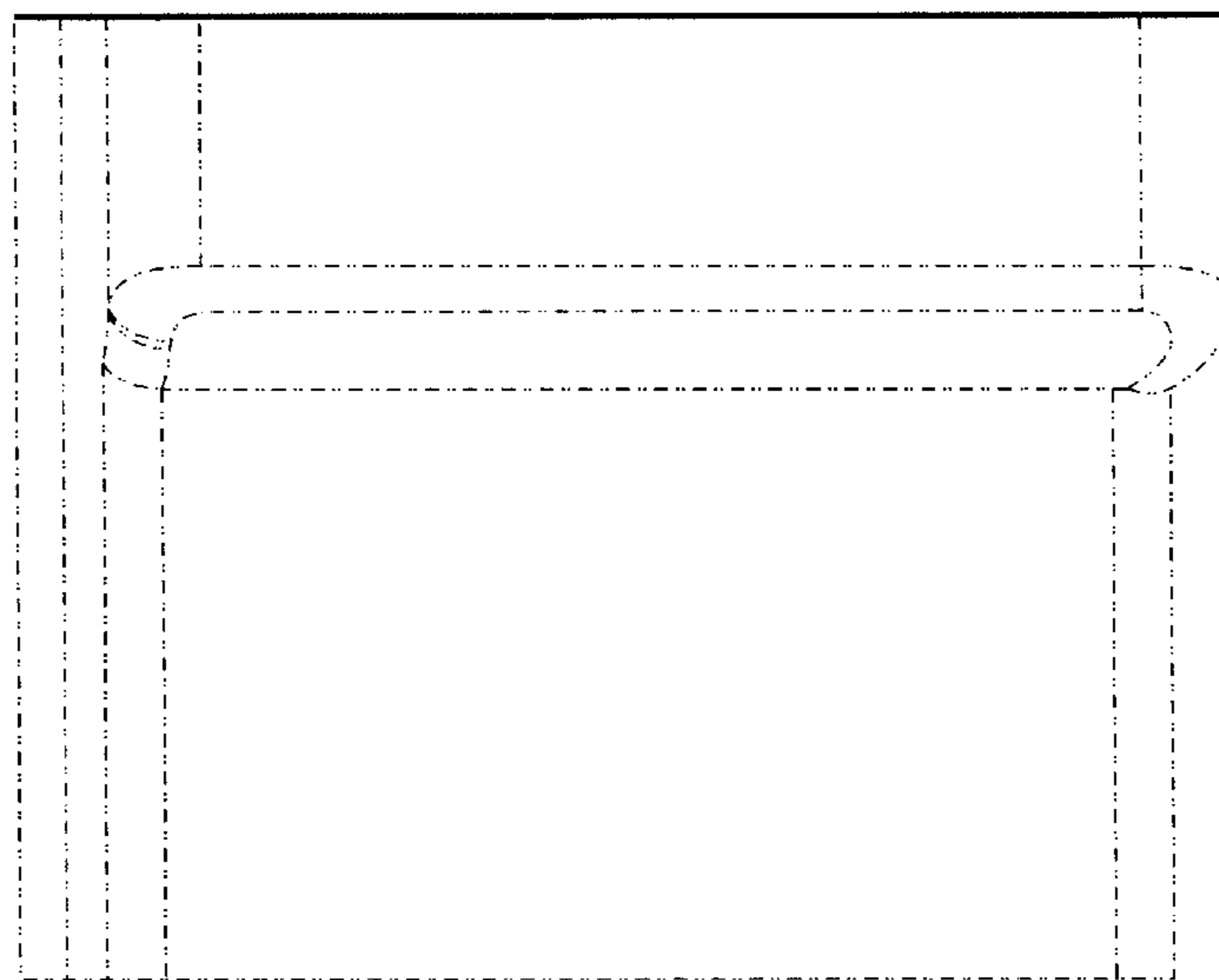


FIG. 2

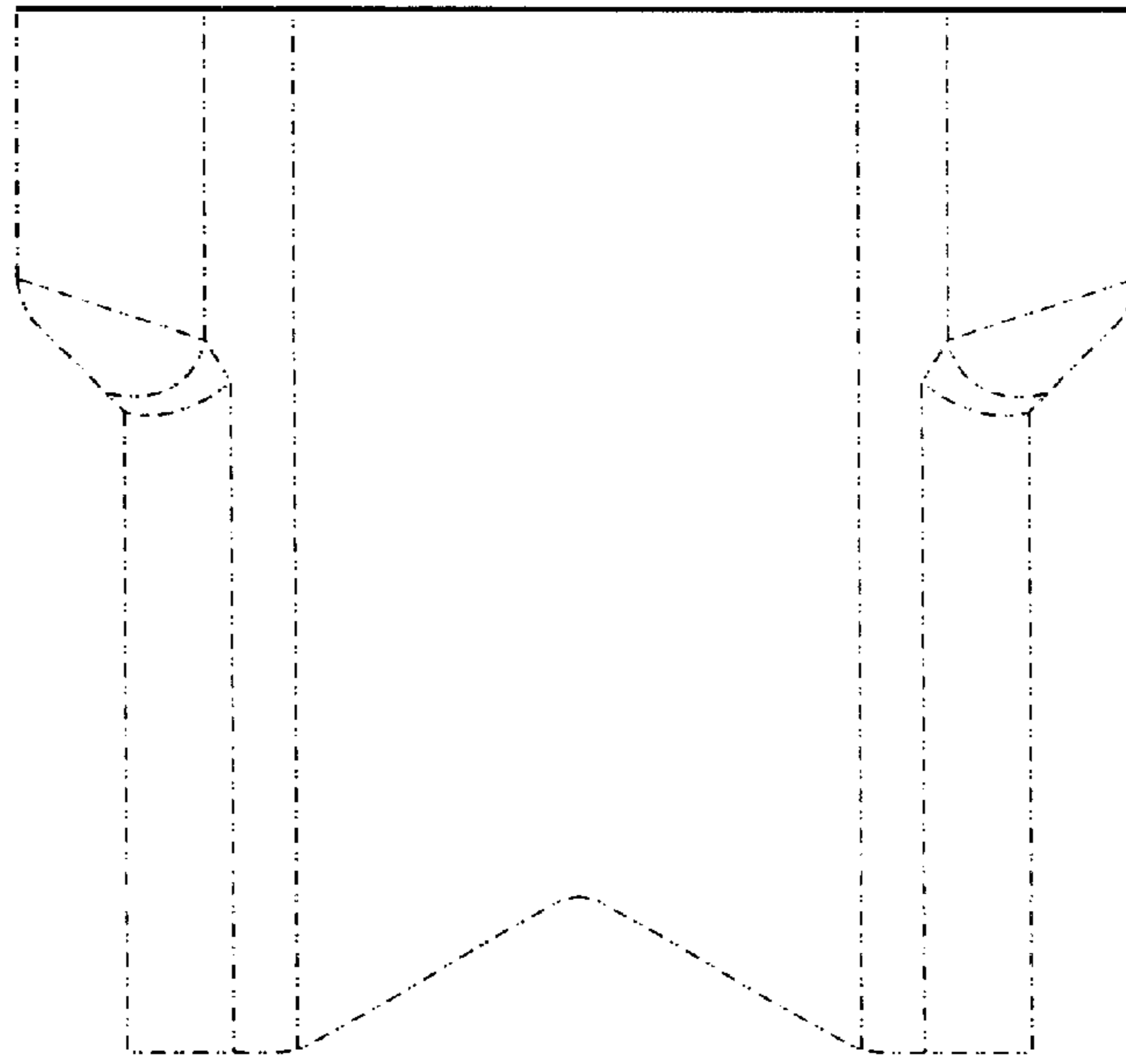


FIG. 3

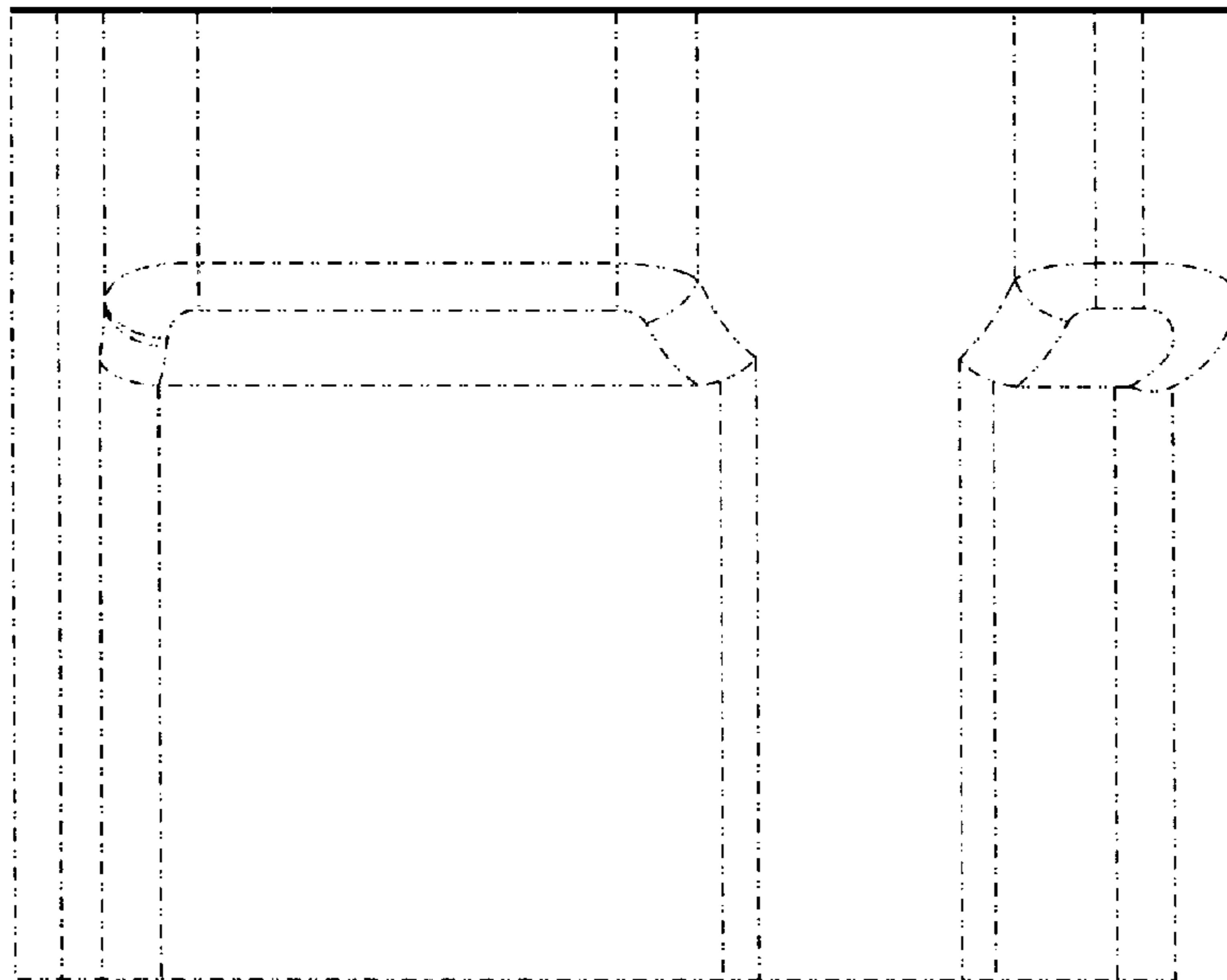


FIG. 4

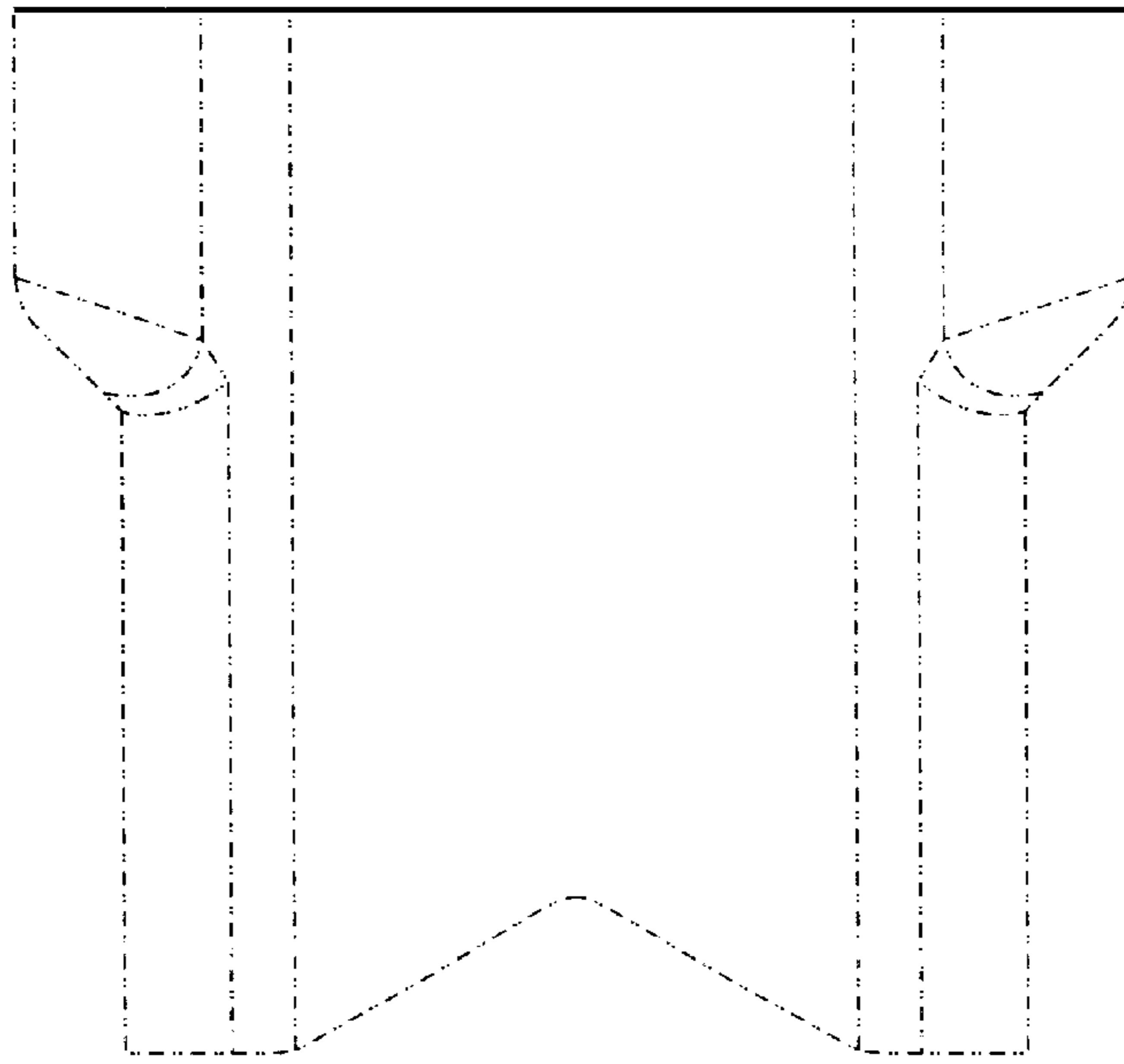


FIG. 5

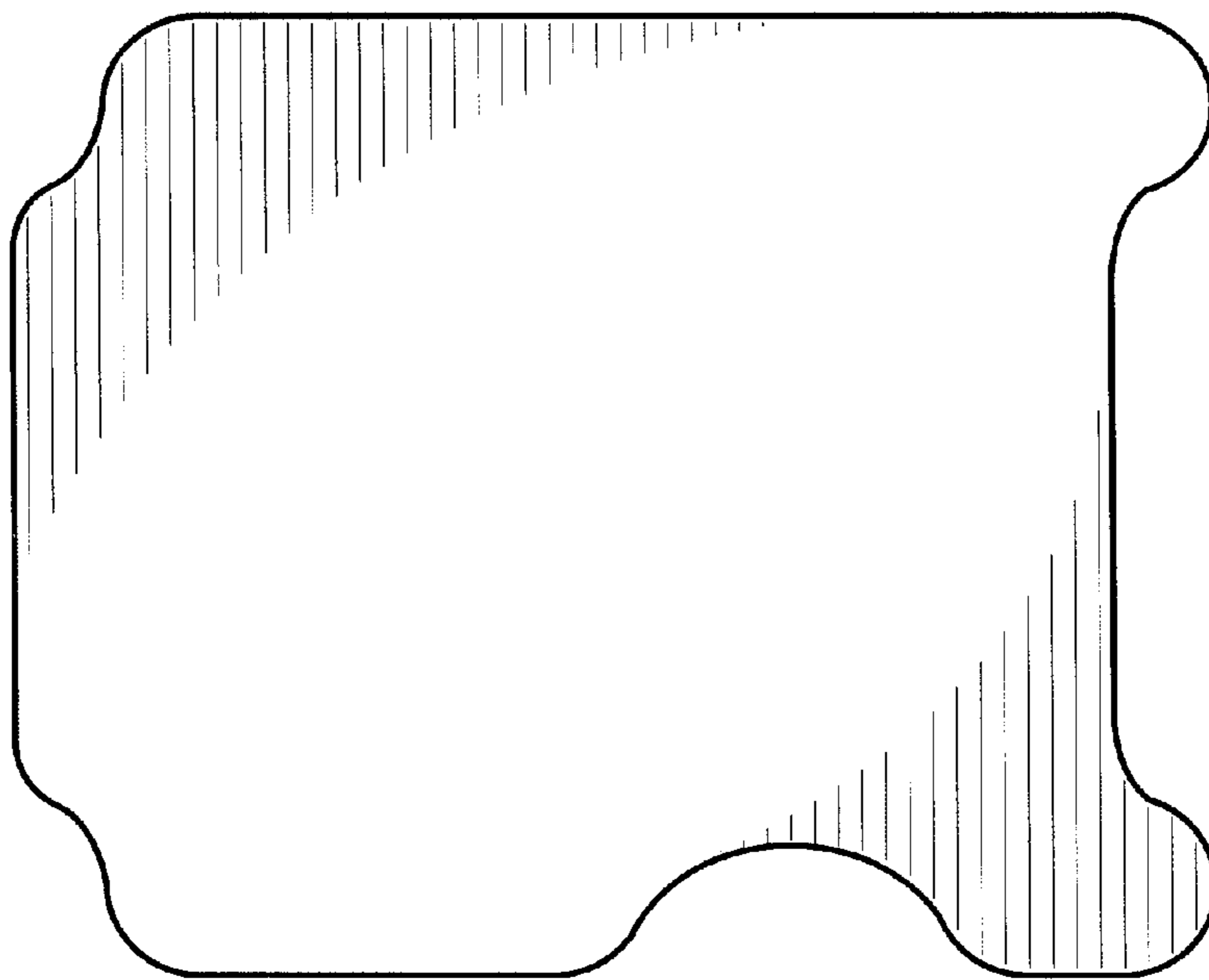


FIG. 6