



US00D481757S

(12) **United States Design Patent**  
**Jones**

(10) **Patent No.: US D481,757 S**

(45) **Date of Patent: \*\* \*Nov. 4, 2003**

(54) **COLOR INK STICK FOR SOLID INK  
PRINTER**

(75) Inventor: **Brent R. Jones**, Tualatin, OR (US)

(73) Assignee: **Xerox Corporation**, Stamford, CT  
(US)

(\* ) Notice: This patent is subject to a terminal dis-  
claimer.

(\*\*) Term: **14 Years**

(21) Appl. No.: **29/167,974**

(22) Filed: **Sep. 25, 2002**

(51) **LOC (7) Cl. .... 18-02**

(52) **U.S. Cl. .... D18/56**

(58) **Field of Search .... D18/56, 43; 347/88,**  
347/99; D21/484, 486, 490, 491, 493, 499;  
434/159, 403

(56) **References Cited**

**U.S. PATENT DOCUMENTS**

756,625	A	*	4/1904	Haefele	.....	434/403
1,895,611	A	*	1/1933	Doak	.....	434/403
D91,126	S	*	11/1933	Thompson	.....	D21/499
D335,683	S		5/1993	Smith		
5,223,860	A		6/1993	Loofbourow et al.		
5,275,567	A	*	1/1994	Whitfield	.....	434/403
D346,821	S		5/1994	Smith		
5,442,387	A		8/1995	Loofbourow et al.		
5,510,821	A		4/1996	Jones et al.		
D371,801	S		7/1996	Jones et al.		
D371,802	S		7/1996	Jones et al.		
D372,268	S		7/1996	Jones et al.		
D372,270	S		7/1996	Jones et al.		
D373,139	S		8/1996	Jones et al.		
D379,470	S		5/1997	Gilbert		
D379,471	S		5/1997	Gilbert		
D379,639	S		6/1997	Gilbert		
D379,640	S		6/1997	Gilbert		
D380,771	S		7/1997	Jones		
D383,153	S		9/1997	Jones et al.		
D383,154	S		9/1997	Jones et al.		

5,734,402	A	*	3/1998	Rousseau et al.	.....	347/88
5,784,089	A	*	7/1998	Crawford	.....	347/88
D402,308	S		12/1998	Yao et al.		
D403,351	S		12/1998	Yao et al.		
D403,352	S		12/1998	Brown et al.		
D403,699	S		1/1999	Chin et al.		
D407,109	S		3/1999	Yao et al.		
D407,110	S		3/1999	Yao et al.		
D407,111	S		3/1999	Brown et al.		
D407,112	S		3/1999	Chin et al.		
D407,742	S		4/1999	Yao et al.		
D407,743	S		4/1999	Yao et al.		
D407,745	S		4/1999	Brown et al.		
D408,849	S		4/1999	Chin et al.		
D409,235	S		5/1999	Chin et al.		
D409,237	S		5/1999	Ellers et al.		
D410,026	S		5/1999	Brown et al.		
D410,490	S		6/1999	Mattern et al.		
D412,527	S		8/1999	Ellers et al.		
D412,528	S		8/1999	Ellers et al.		
D412,934	S		8/1999	Jones		
D413,625	S		9/1999	Brown et al.		
D414,200	S		9/1999	Jones		
D415,193	S		10/1999	Jones		
D436,124	S		1/2001	Mattern et al.		
D436,989	S		1/2001	Mattern et al.		
D440,248	S		4/2001	Mattern et al.		
D440,249	S		4/2001	Ellers et al.		
D453,786	S		2/2002	Mattern		
D453,787	S		2/2002	Mattern		

\* cited by examiner

*Primary Examiner*—Cathy Anne MacCormac

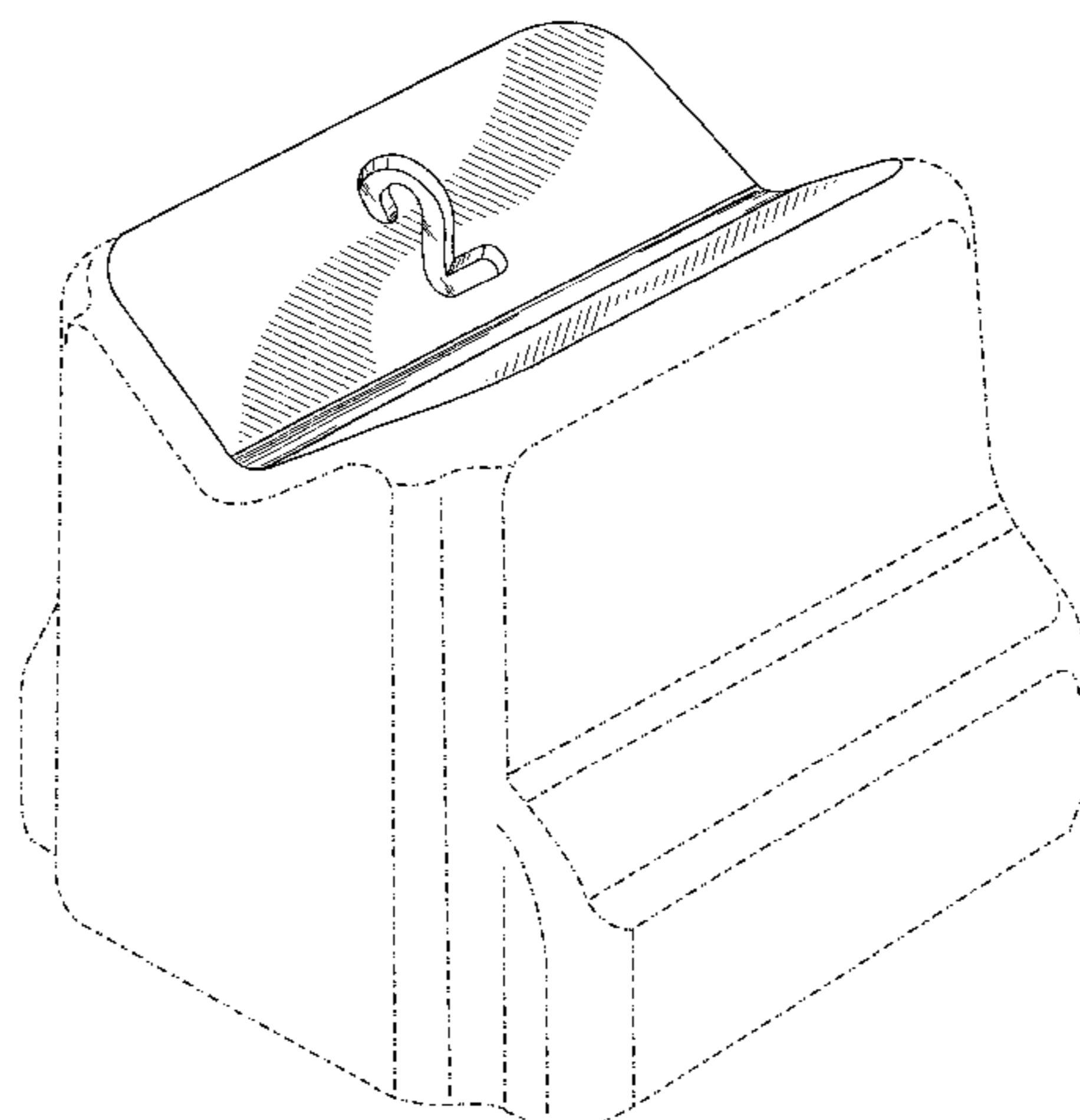
(57) **CLAIM**

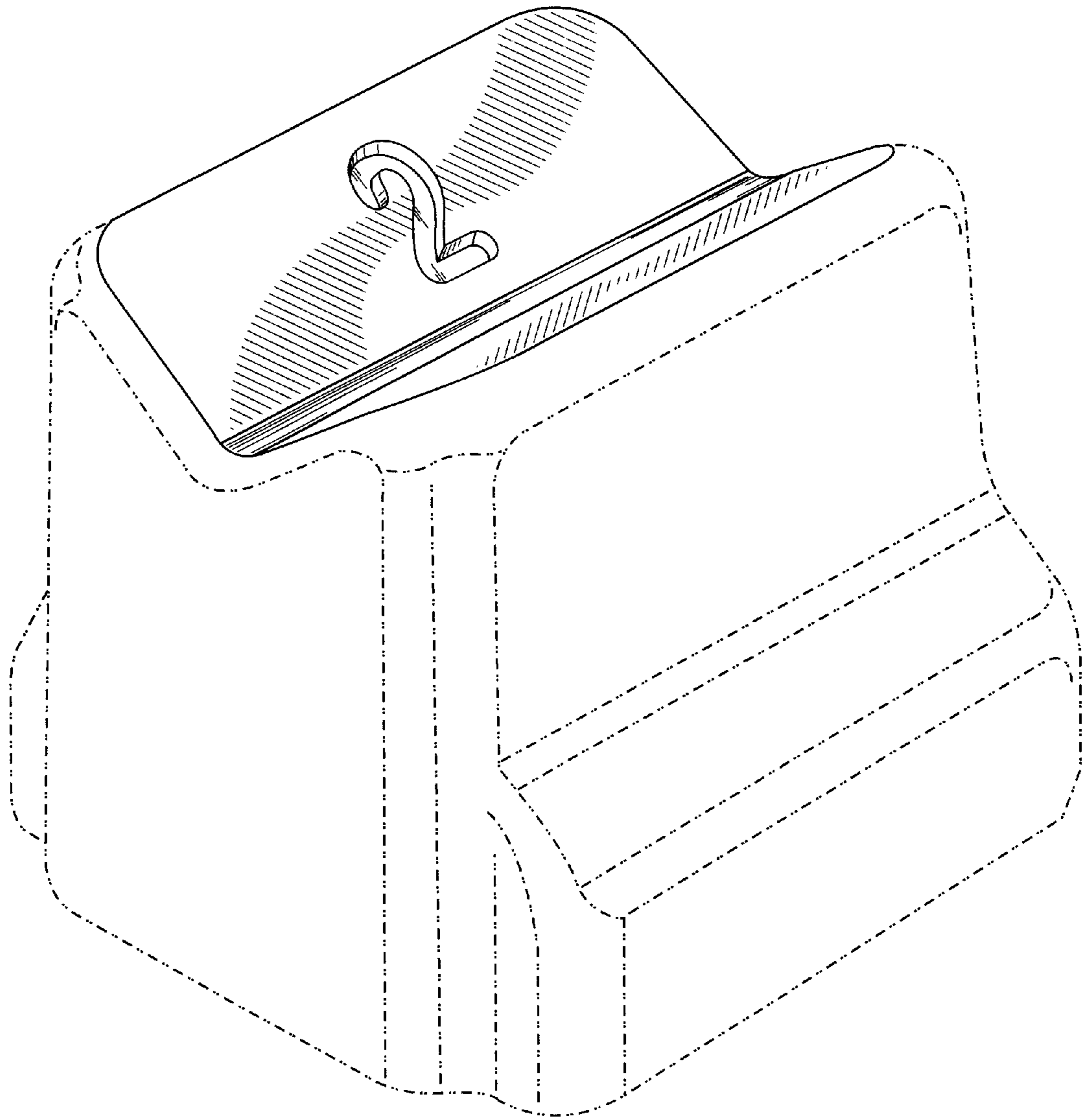
The ornamental design for a color ink stick for solid ink printer, as shown and described.

**DESCRIPTION**

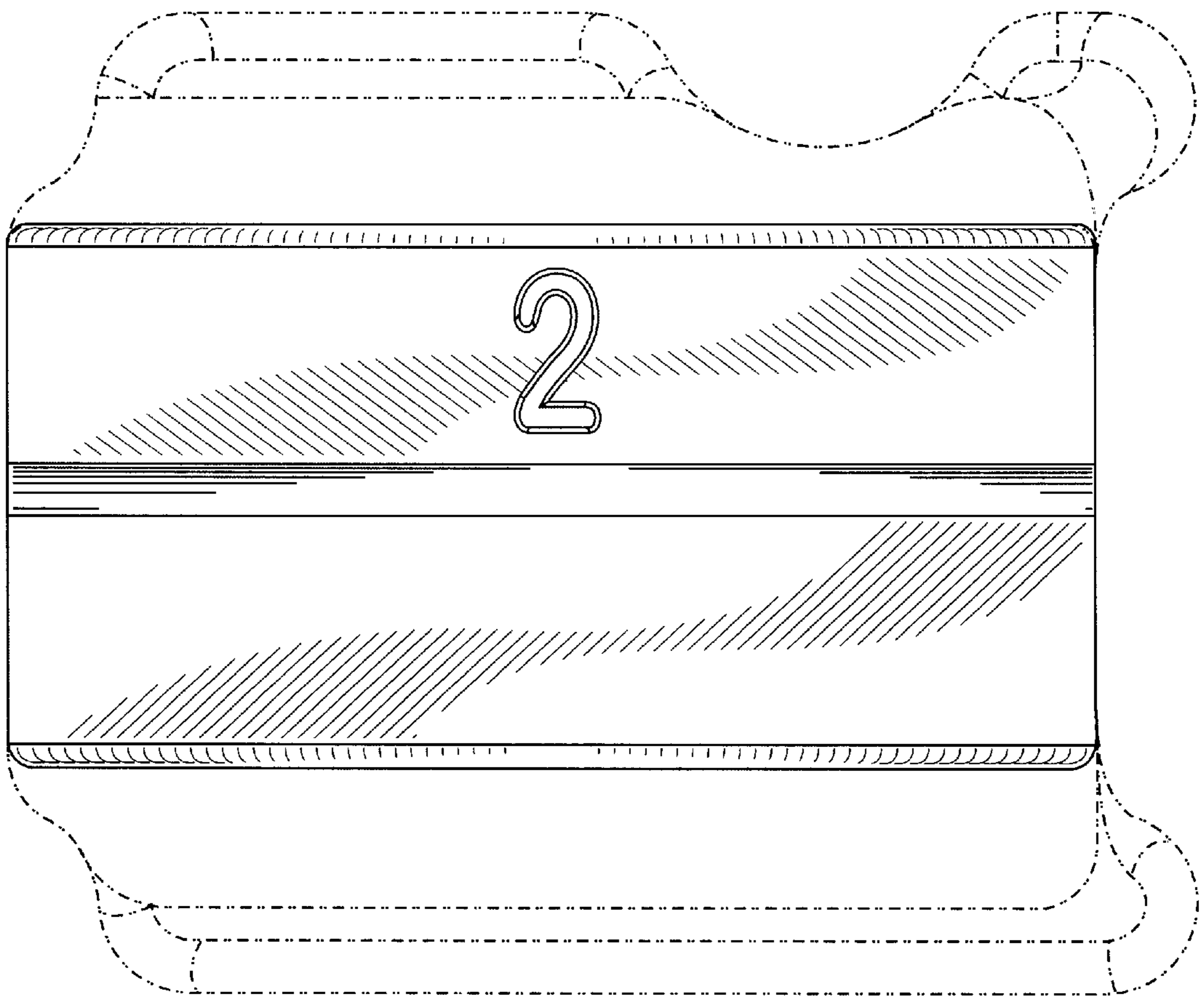
FIG. 1 is a bottom perspective view of a color ink stick for solid ink printer showing my new design; and, FIG. 2 is a bottom plan view thereof. The broken lines are for purposes of illustration only and form no part of the claimed design.

**1 Claim, 2 Drawing Sheets**





**FIG. 1**



**FIG. 2**