



US00D481756S

(12) **United States Design Patent**
Shinada et al.

(10) **Patent No.:** **US D481,756 S**

(45) **Date of Patent:** **** Nov. 4, 2003**

(54) **INK CARTRIDGE FOR PRINTER**

(75) Inventors: **Satoshi Shinada**, Suwa (JP); **Yasuto Sakai**, Suwa (JP); **Tomio Yokoyama**, Suwa (JP); **Kazuhiro Hashii**, Suwa (JP)

(73) Assignee: **Seiko Epson Corporation**, Tokyo (JP)

(**) Term: **14 Years**

(21) Appl. No.: **29/161,464**

(22) Filed: **May 29, 2002**

(30) **Foreign Application Priority Data**

Feb. 15, 2002 (JP) 2002-003798

(51) **LOC (7) Cl.** **18-02**

(52) **U.S. Cl.** **D18/56**; 347/86

(58) **Field of Search** D18/43, 56; 347/86, 347/87, 85

(56) **References Cited**

U.S. PATENT DOCUMENTS

D351,190 S	10/1994	Oshima et al.	
D369,383 S	4/1996	Miyazawa et al.	
D378,760 S	4/1997	Shinada et al.	
D381,039 S	7/1997	Shinada et al.	
D389,180 S	1/1998	Miyazawa et al.	
D390,598 S	2/1998	Miyazawa et al.	
D427,236 S	6/2000	Shinada et al.	
D438,241 S	2/2001	Shinada et al.	
D440,600 S	4/2001	Seino et al.	
D454,363 S	3/2002	Seino et al.	
D454,364 S	3/2002	Seino et al.	
D454,908 S	3/2002	Seino et al.	
D457,184 S	* 5/2002	Boyd et al.	D18/56
D464,371 S	* 10/2002	Boyd et al.	D18/56
D466,928 S	* 12/2002	Boyd et al.	D18/56

FOREIGN PATENT DOCUMENTS

JP 1107870 3/2001

JP	1107871	3/2001
JP	1107873	3/2001
JP	1107875	3/2001
JP	1107876	3/2001
JP	1108876	3/2001
JP	1109371	3/2001
JP	1109374	3/2001
JP	1109376	3/2001
JP	1109563	3/2001
JP	1109564	3/2001
JP	1114467	5/2001

* cited by examiner

Primary Examiner—Cathy Anne MacCormac

(74) *Attorney, Agent, or Firm*—Stroock & Stroock & Lavan LLP

(57) **CLAIM**

The ornamental design for an ink cartridge for printer, as shown and described.

DESCRIPTION

FIG. 1 is a top, front and left side perspective view of an ink cartridge for printer showing our new design;

FIG. 2 is a front view thereof;

FIG. 3 is a rear view thereof;

FIG. 4 is a top plan view thereof;

FIG. 5 is a bottom view thereof;

FIG. 6 is a right side view thereof;

FIG. 7 is a left side view thereof;

FIG. 8 is a top, front and left side perspective view of a second embodiment of an ink cartridge for printer;

FIG. 9 is a front view thereof;

FIG. 10 is a rear view thereof;

FIG. 11 is a top plan view thereof;

FIG. 12 is a bottom view thereof;

FIG. 13 is a right side view thereof; and,

FIG. 14 is a left side view thereof.

1 Claim, 8 Drawing Sheets

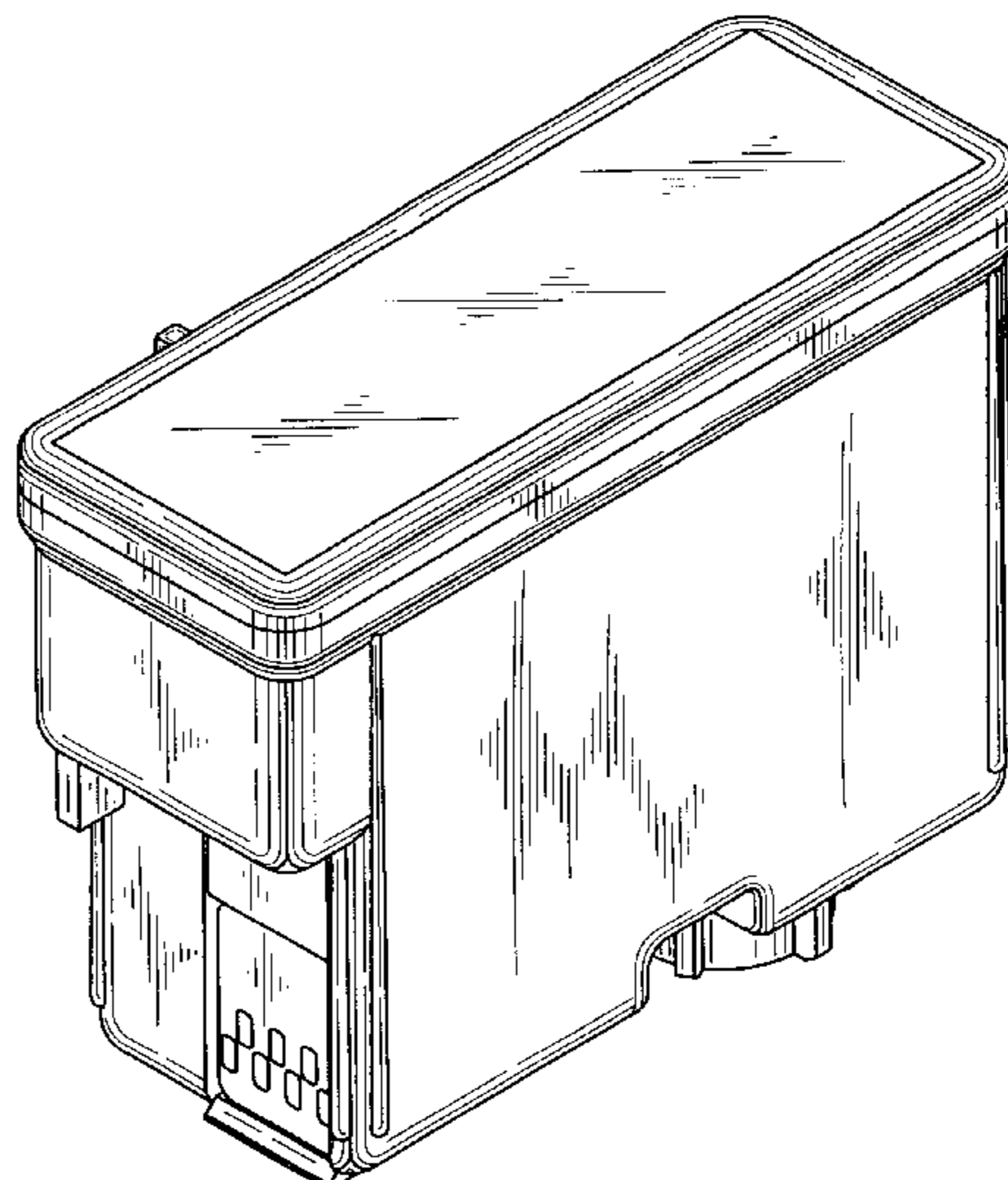
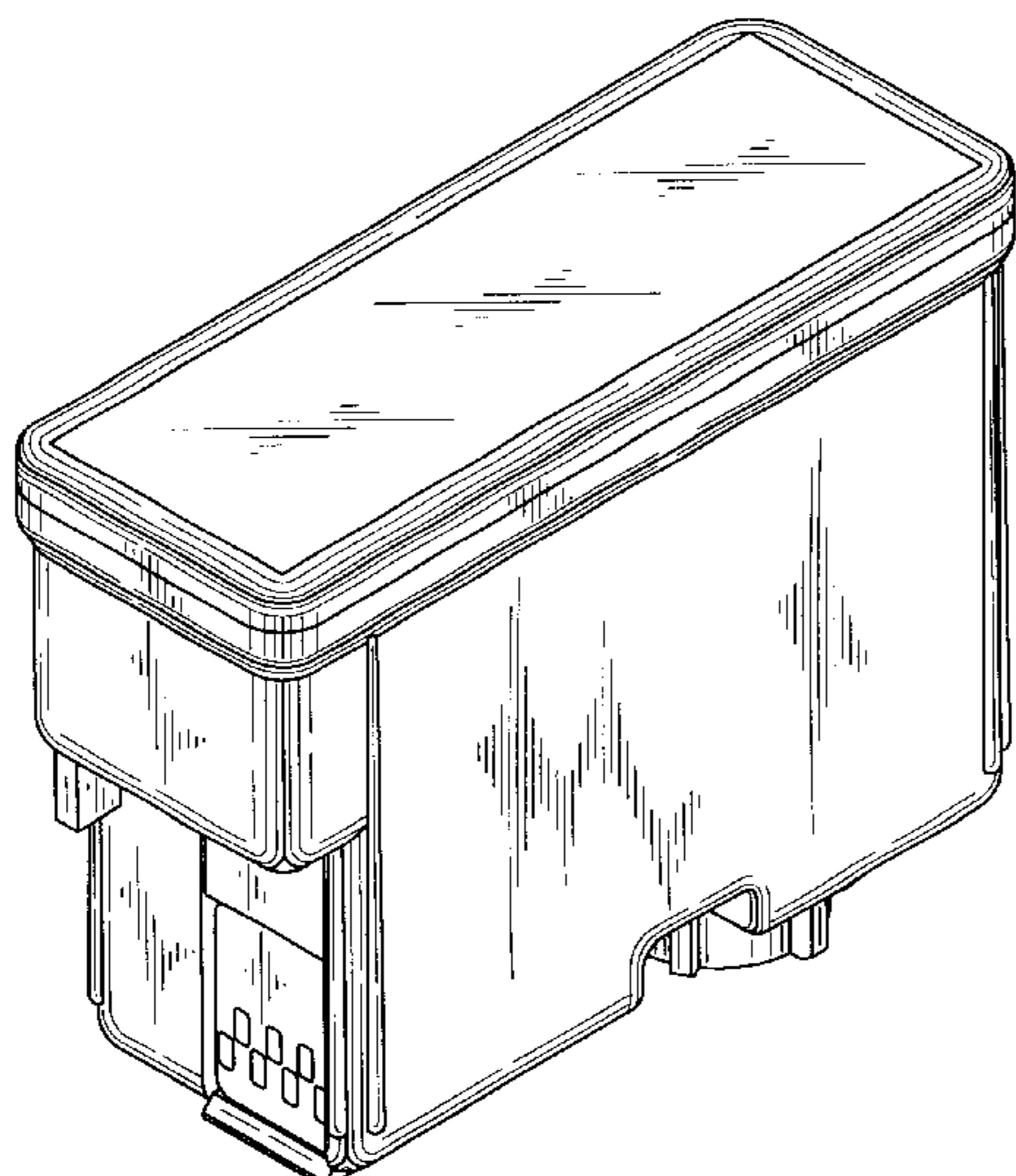


FIG. 1

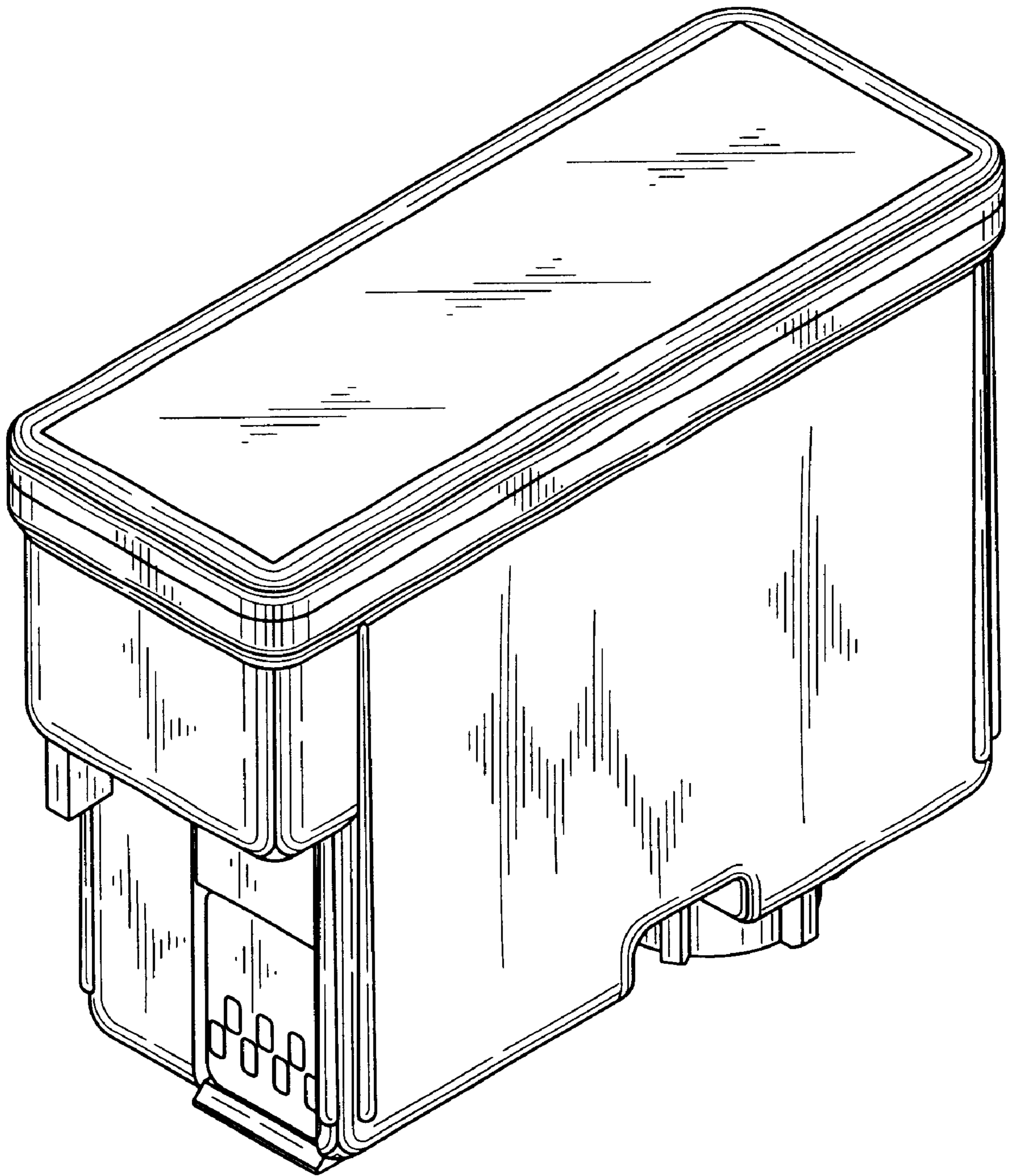


FIG. 2

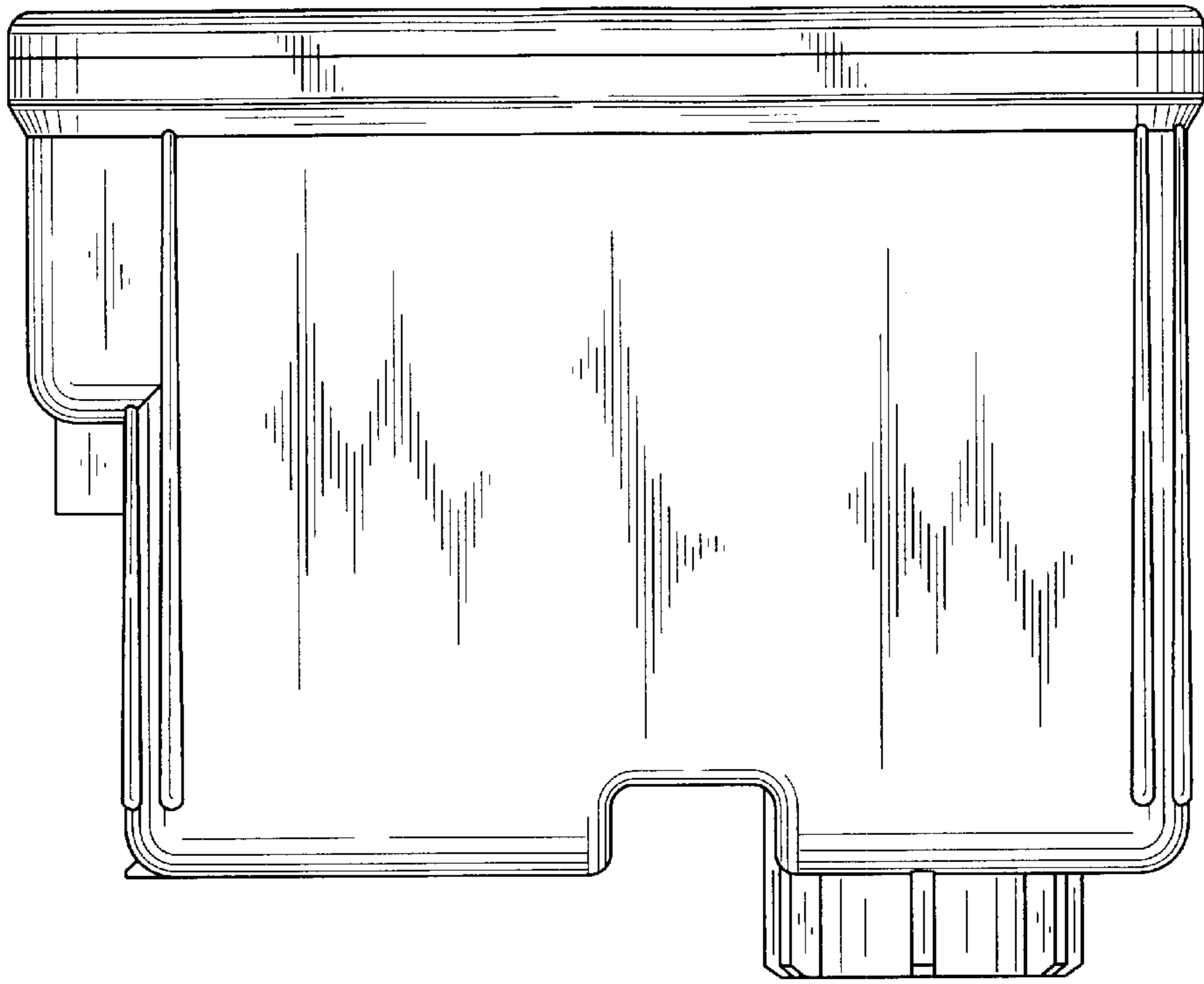


FIG. 3

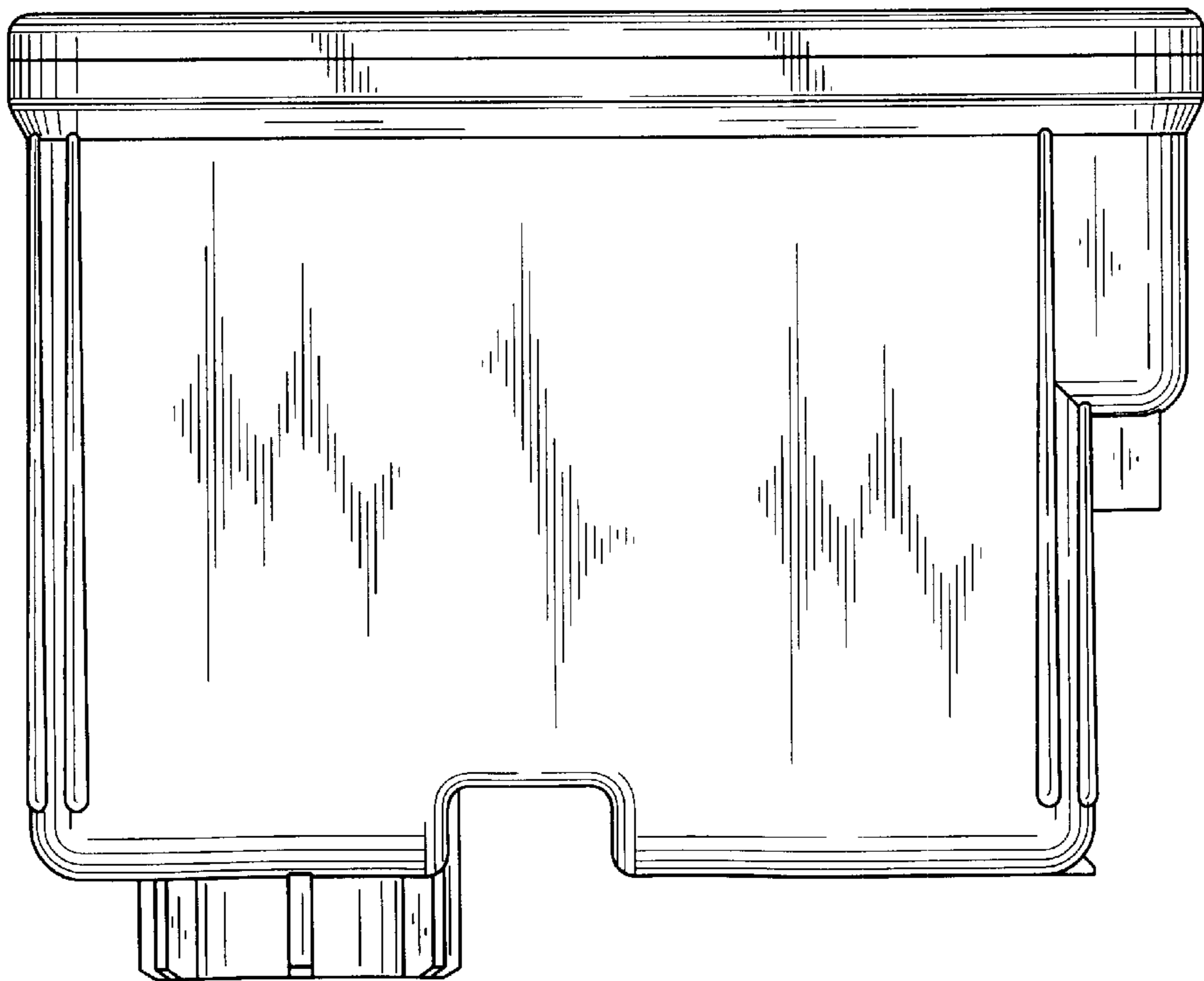


FIG. 4

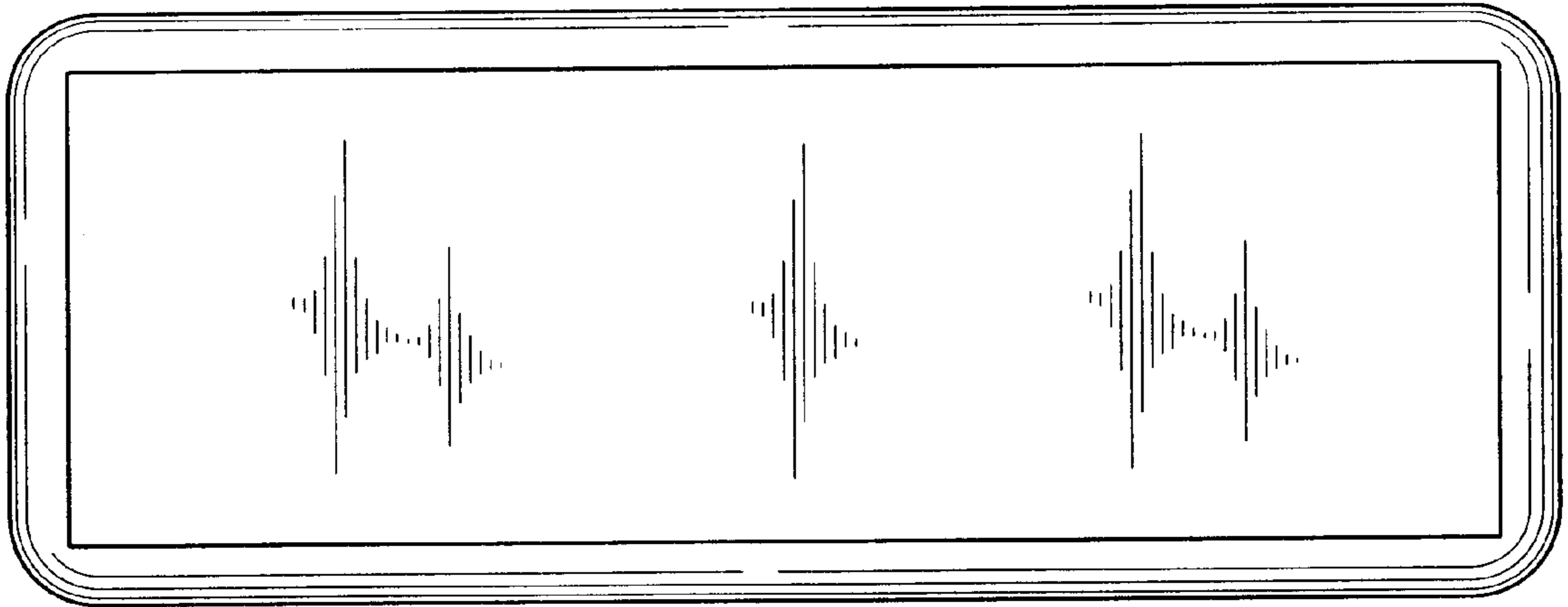


FIG. 5

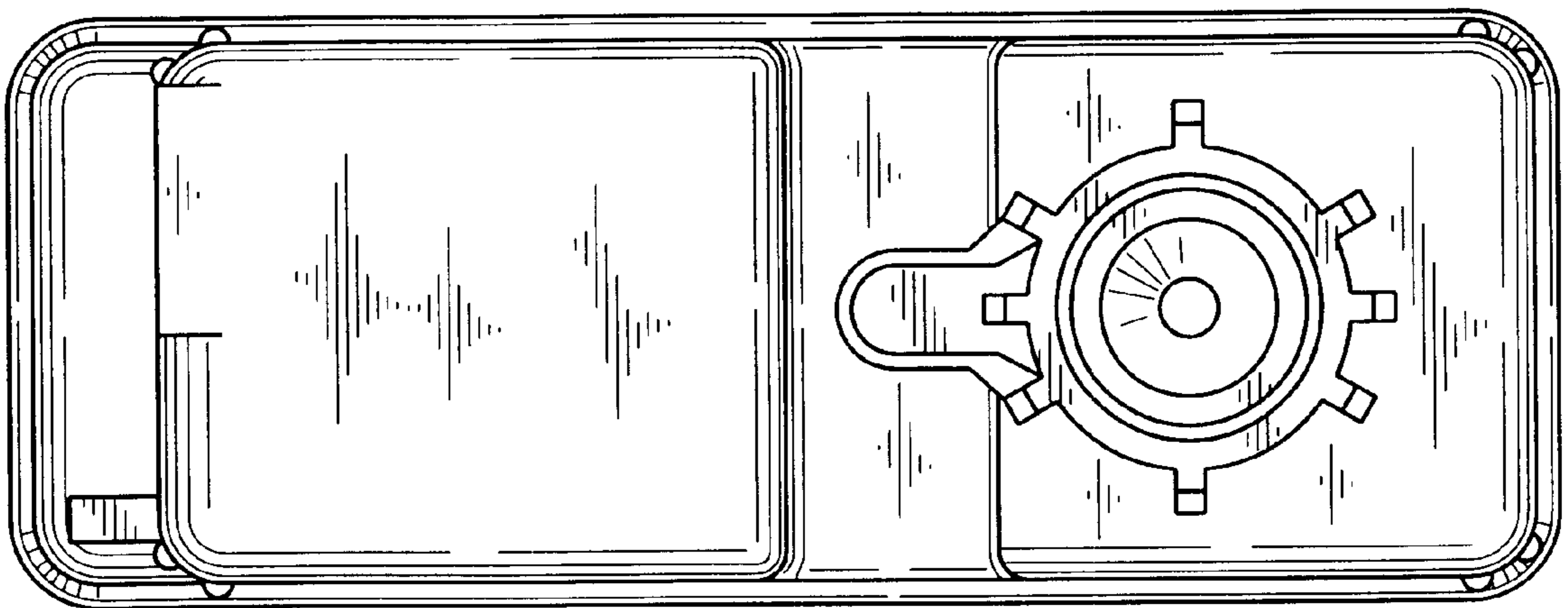


FIG. 6

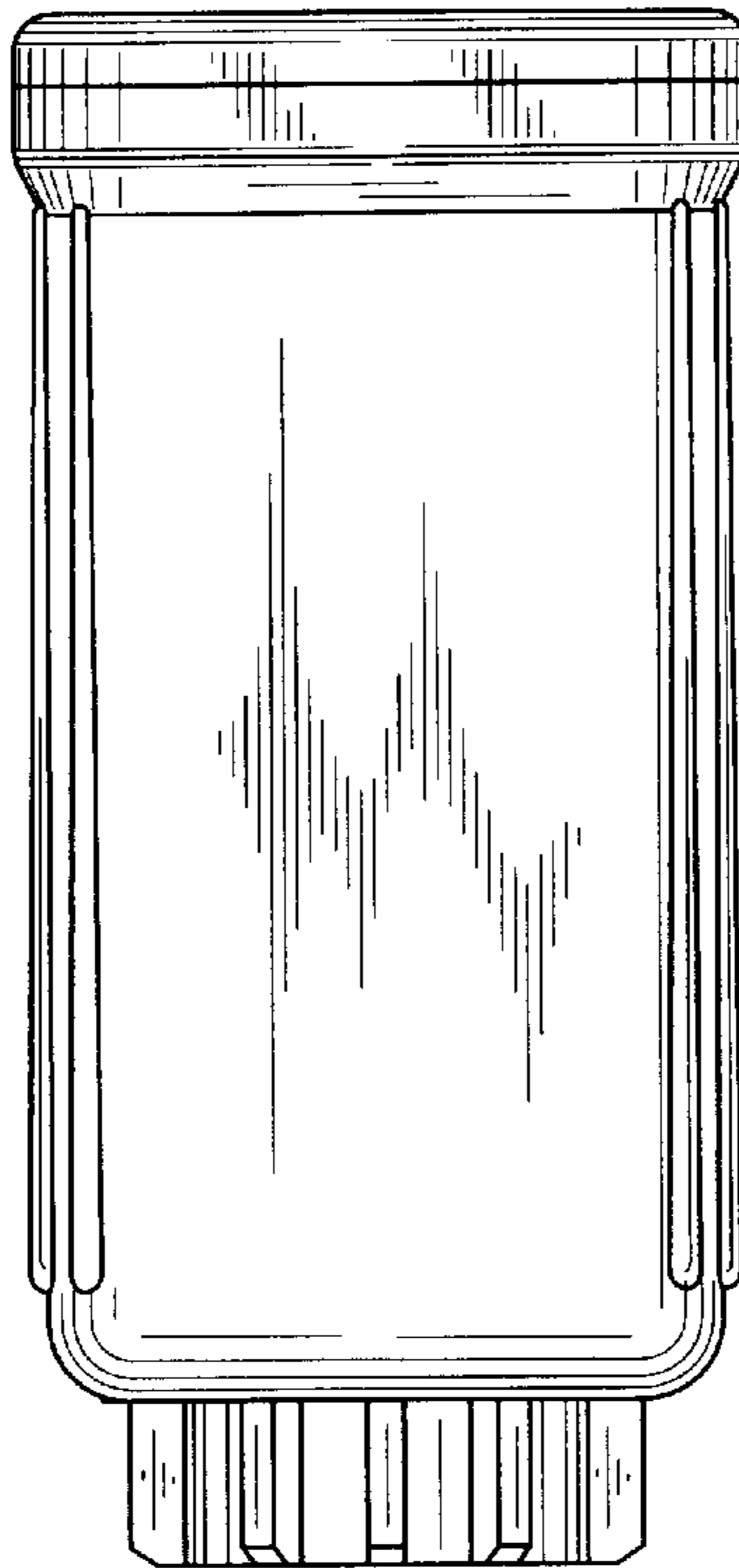


FIG. 7

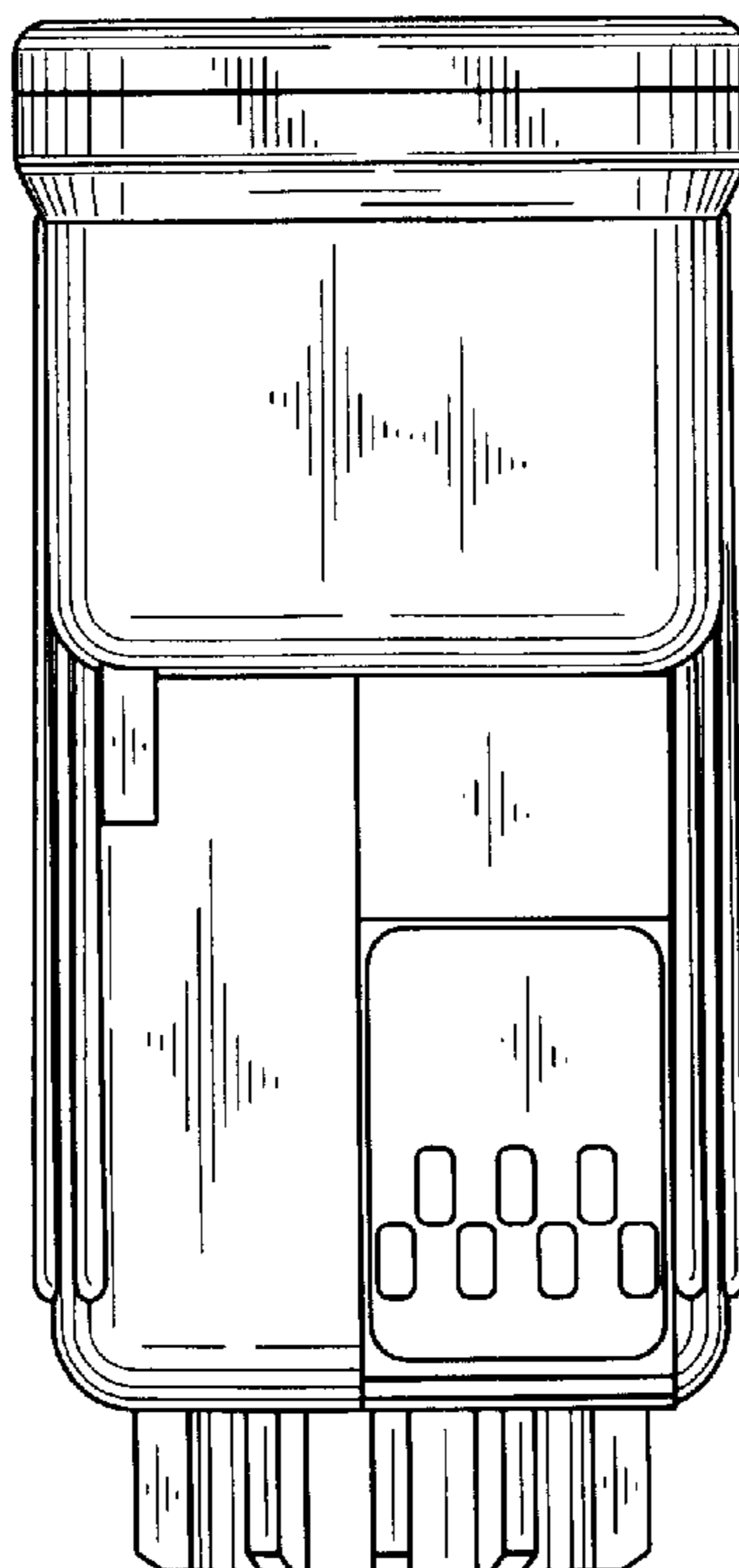


FIG. 8

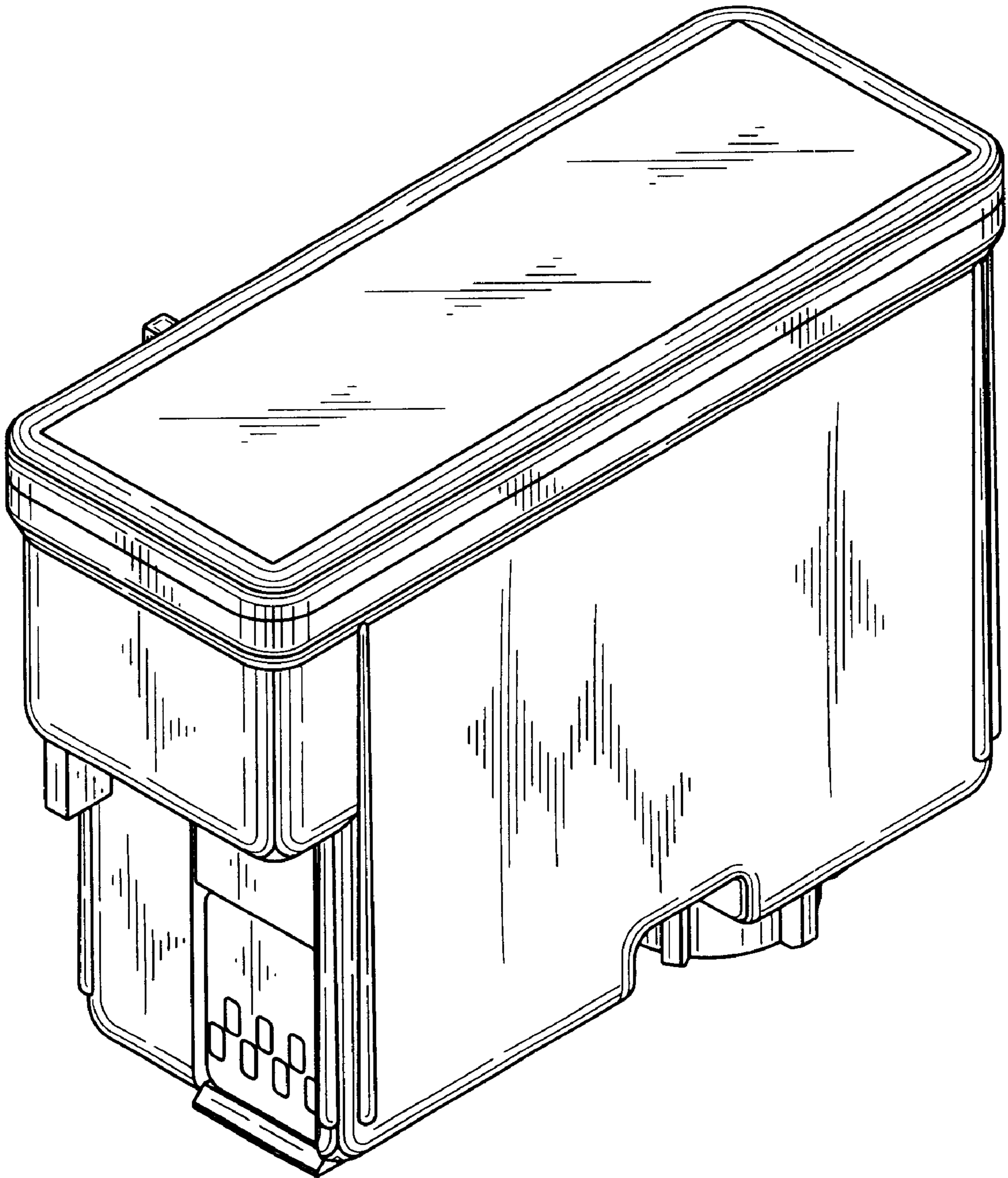


FIG. 9

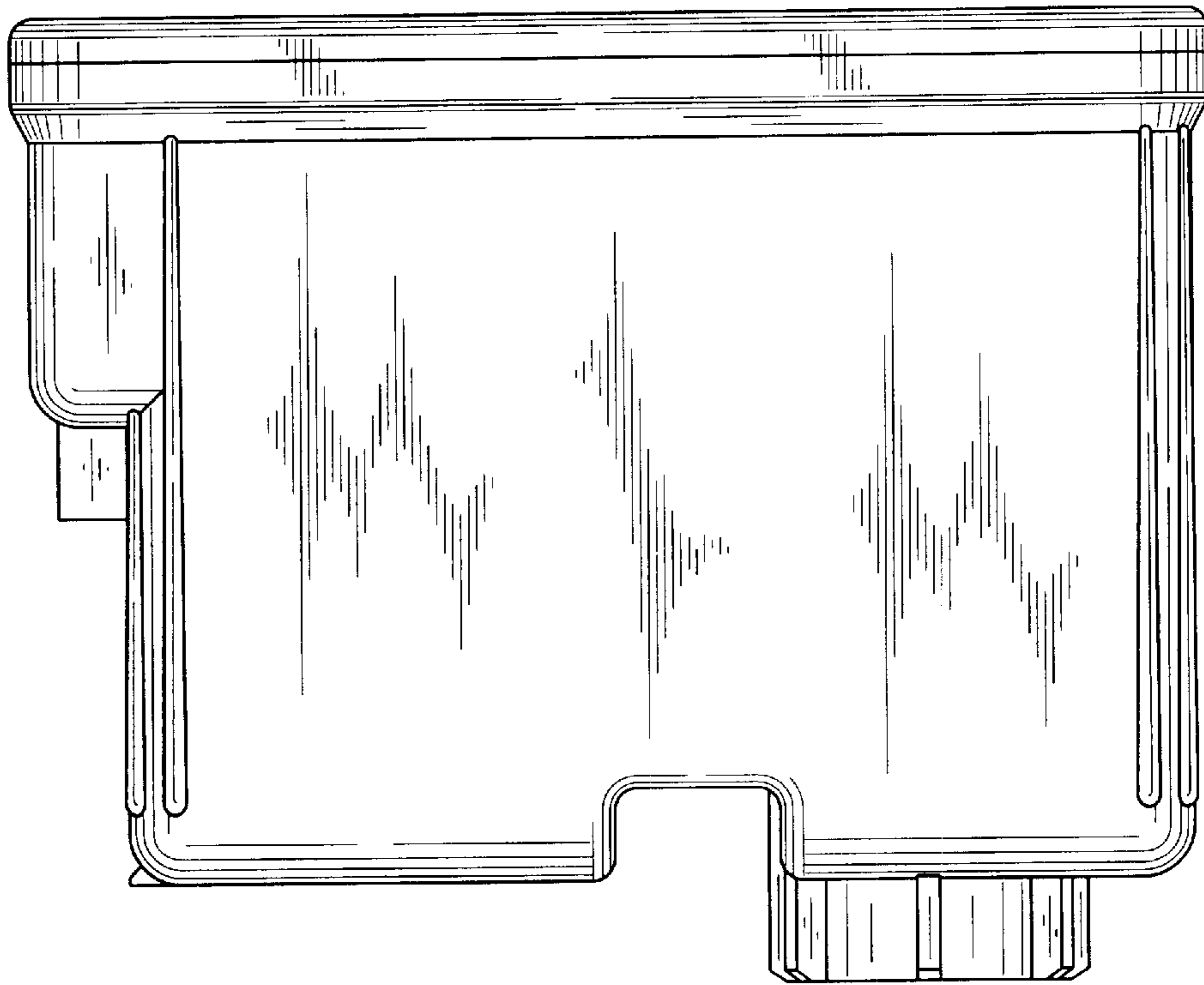


FIG. 10

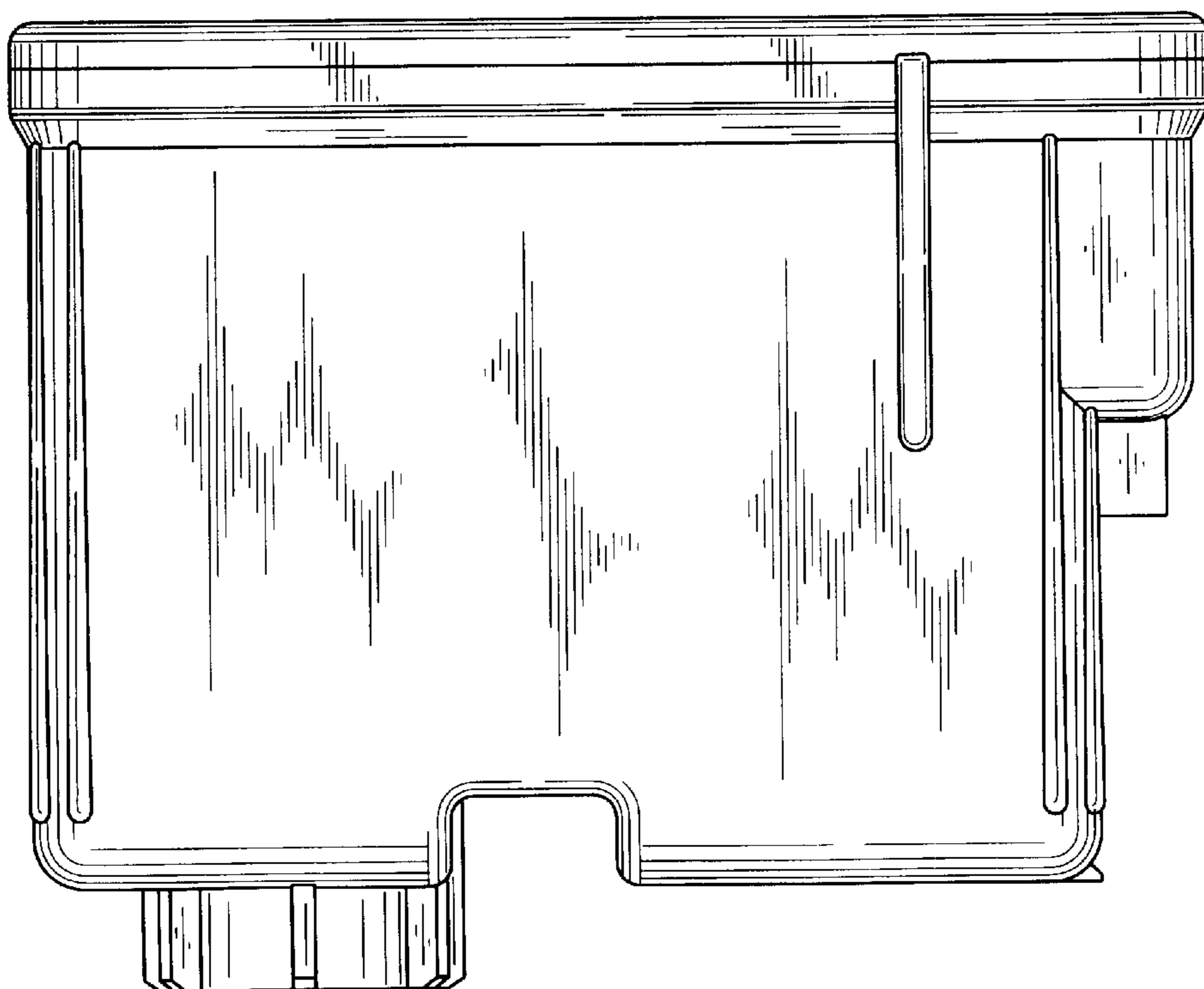


FIG. 11

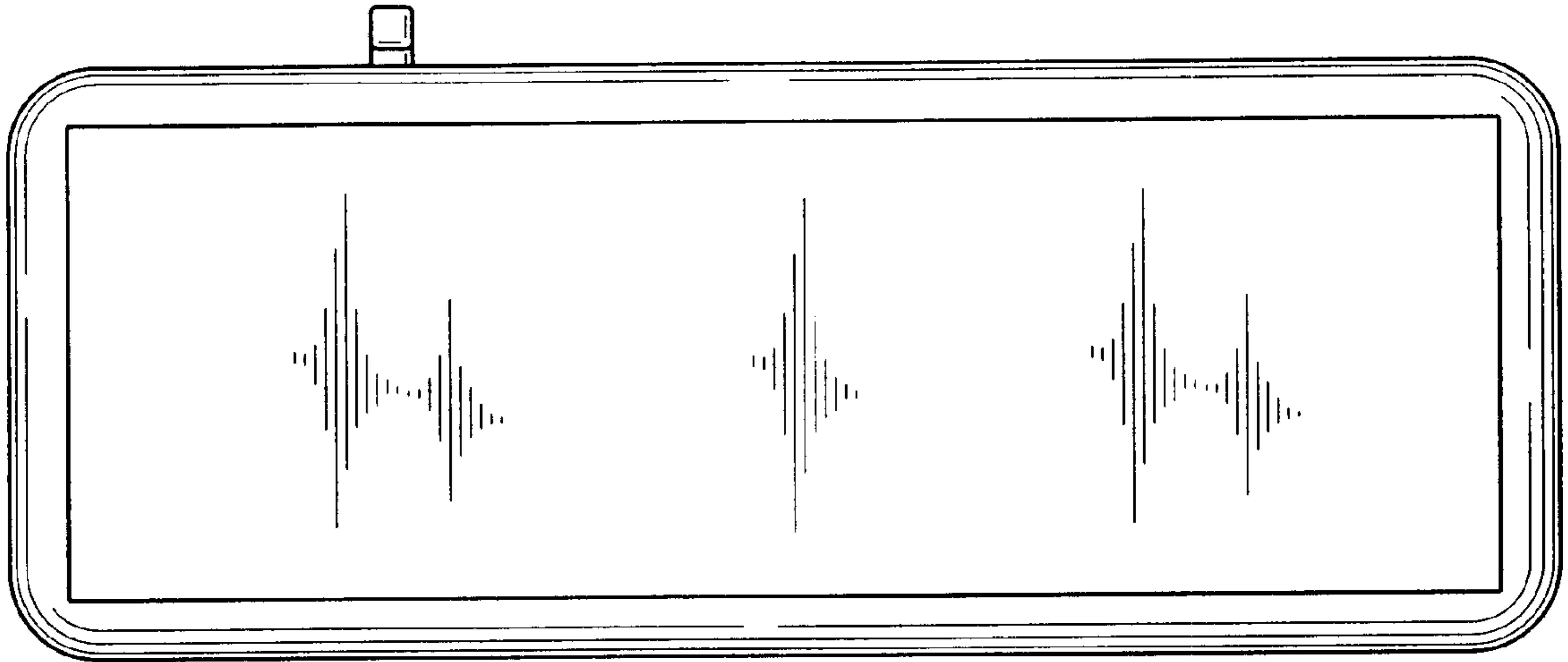


FIG. 12

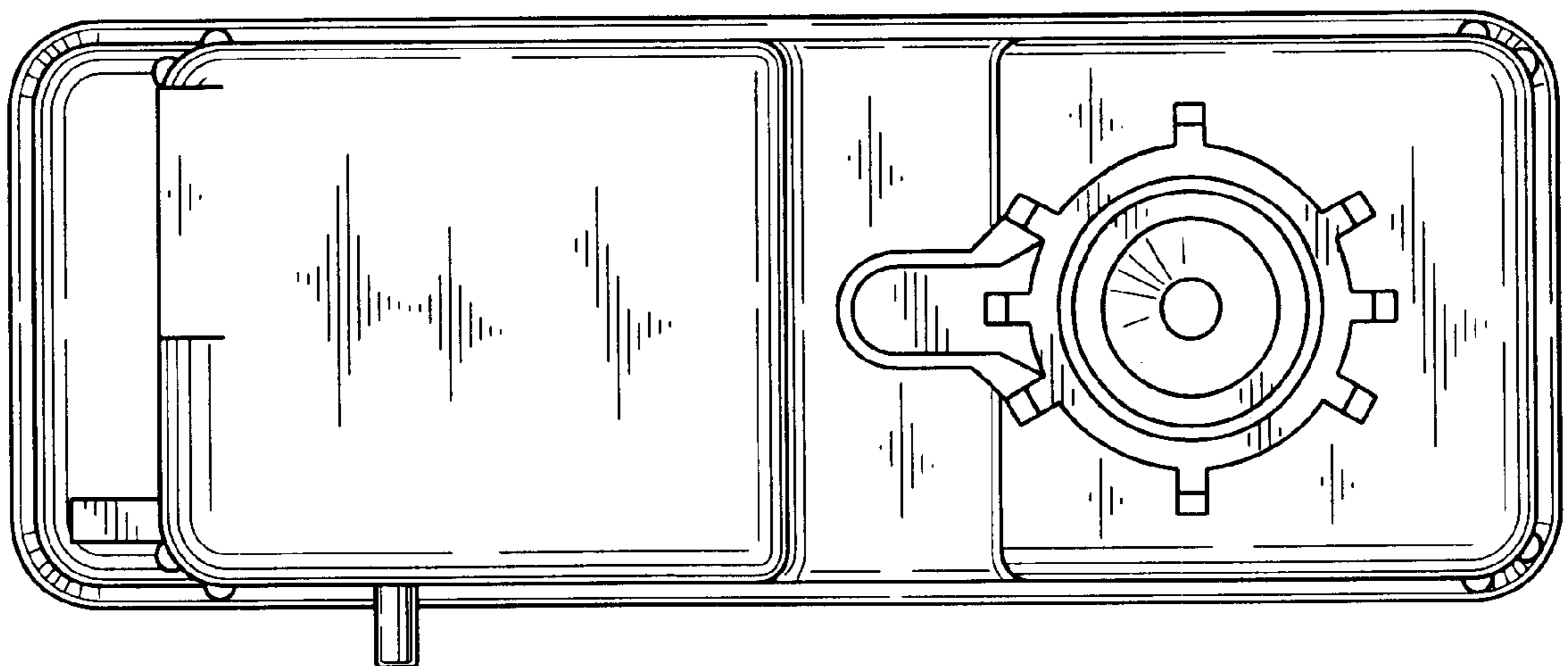


FIG. 13

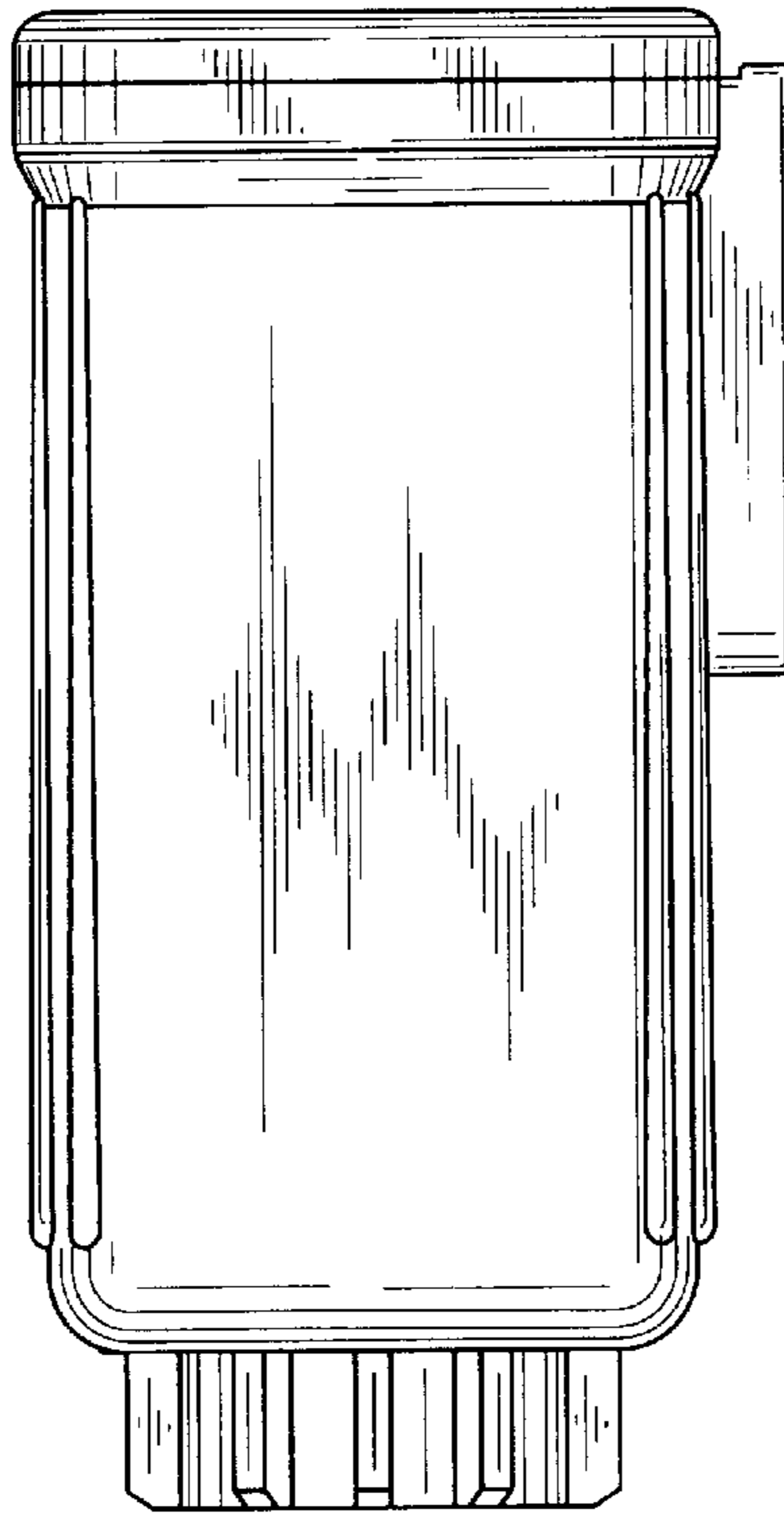


FIG. 14

