



US00D481754S

(12) **United States Design Patent**
Hattori et al.

(10) **Patent No.:** **US D481,754 S**

(45) **Date of Patent:** **** Nov. 4, 2003**

(54) **PRINTER WITH COPYING, SCANNING, AND FACSIMILE FUNCTIONS**

(75) Inventors: **Mitsuharu Hattori**, Nagoya (JP);
Yasutake Yamaguchi, Chiryu (JP)

(73) Assignee: **Brother Industries, Limited**, Nagoya (JP)

(**) Term: **14 Years**

(21) Appl. No.: **29/172,030**

(22) Filed: **Dec. 5, 2002**

(30) **Foreign Application Priority Data**

Jun. 10, 2002 (JP) 2002-015555

(51) **LOC (7) Cl.** **18-02**

(52) **U.S. Cl.** **D18/50**

(58) **Field of Search** D14/420-430,
D14/462-470; D18/19, 36-39, 50, 53, 54-55;
400/613, 613.1-613.4, 691-694, 690.1-690.4,
625

(56) **References Cited**

U.S. PATENT DOCUMENTS

4,689,693 A * 8/1987 Watanabe D14/425
D332,258 S * 1/1993 Urushihara et al. D14/464
D339,156 S * 9/1993 Sato et al. D18/50
5,297,018 A * 3/1994 Kashimura 400/693
D353,154 S * 12/1994 Suzuki D18/50
5,454,555 A * 10/1995 Kiyohara et al. 400/625
D372,935 S * 8/1996 Quijano et al. D18/36

D374,888 S * 10/1996 Udagawa D18/50
D398,632 S * 9/1998 Dodge et al. D18/36
5,816,723 A * 10/1998 Takahashi et al. 400/624
D430,895 S * 9/2000 Inoue D18/54
D448,403 S * 9/2001 Omuro et al. D18/50
6,307,736 B1 * 10/2001 Song et al. 400/693
6,336,758 B1 * 1/2002 Ishida et al. 400/625
D454,128 S * 3/2002 Yamano et al. D14/420
D458,262 S * 6/2002 Huang et al. D14/424
D464,970 S * 10/2002 Fan D14/425
6,462,937 B1 * 10/2002 Liao et al. 400/693

* cited by examiner

Primary Examiner—Cathy Anne MacCormac

(74) *Attorney, Agent, or Firm*—Oliff & Berridge, PLC

(57) **CLAIM**

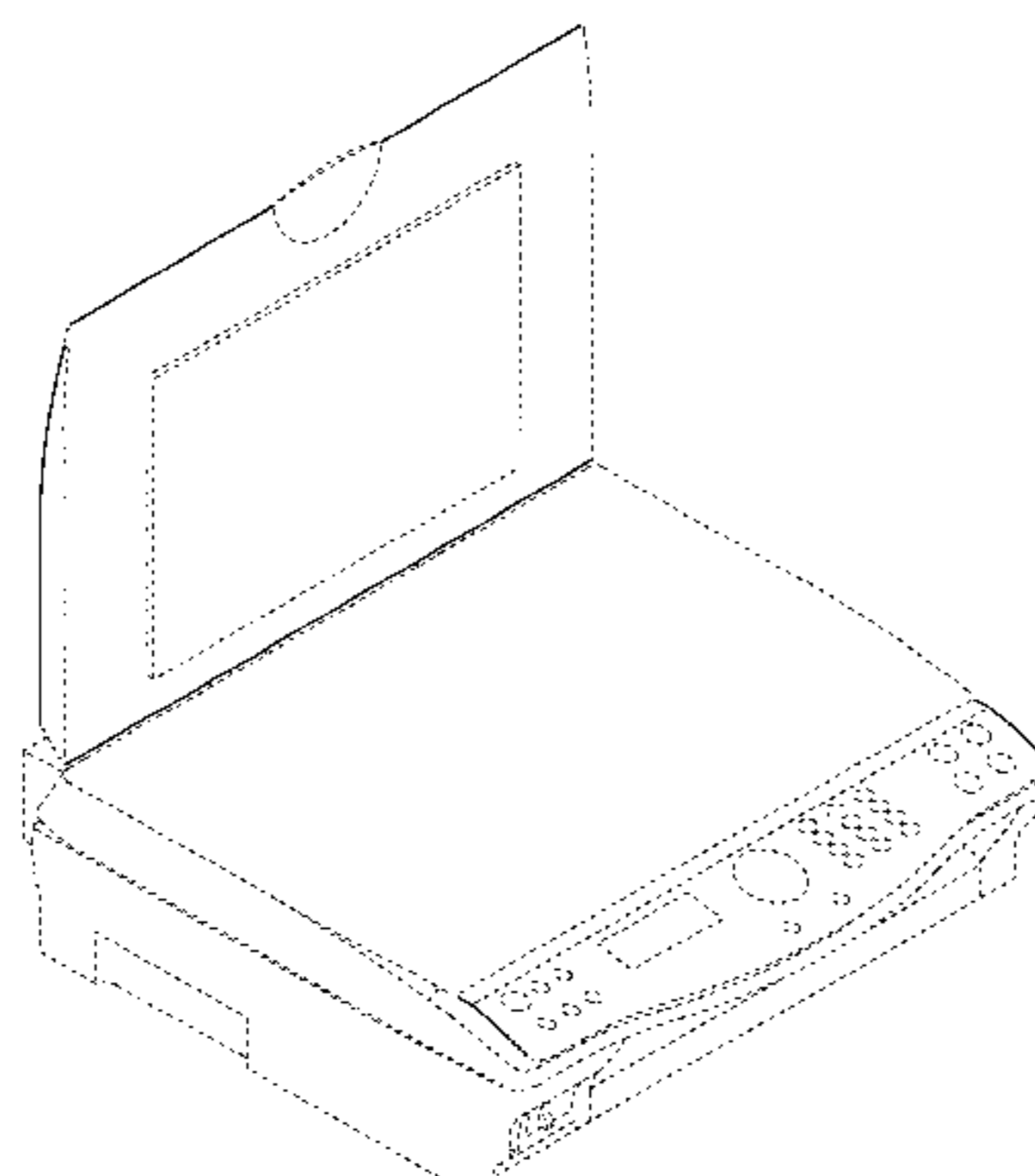
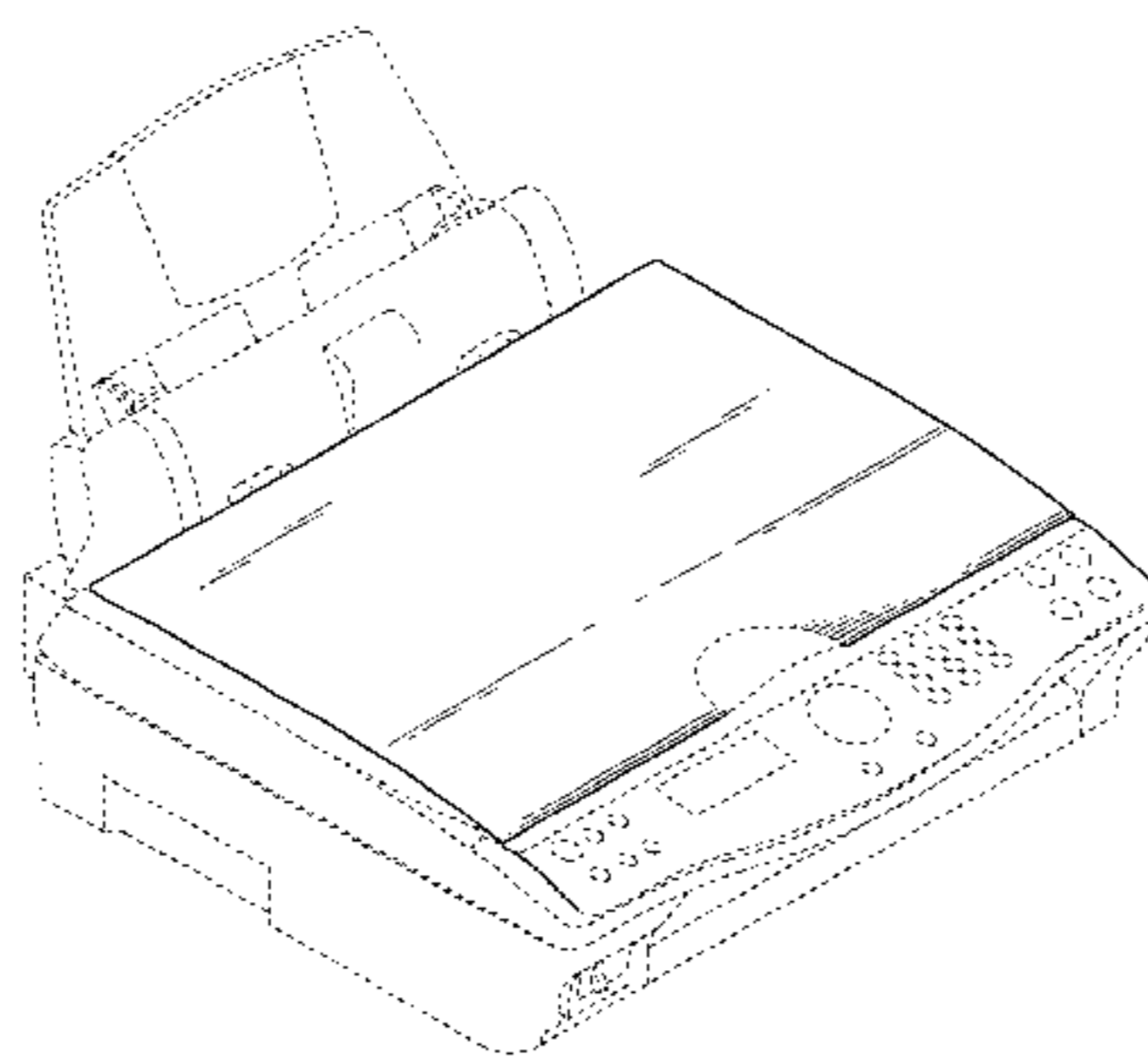
The ornamental design for a printer with copying, scanning and facsimile functions, as shown and described.

DESCRIPTION

FIG. 1 is a perspective view of a printer with copying, scanning and facsimile functions;
FIG. 2 is a top view thereof;
FIG. 3 is a front view thereof;
FIG. 4 is a left-side view thereof;
FIG. 5 is a right-side view thereof;
FIG. 6 is a rear view thereof; and,
FIG. 7 is a perspective view thereof with a lid of the printer in an open position.

The broken lines are for purposes of illustration only and form no part of the claimed design.

1 Claim, 5 Drawing Sheets



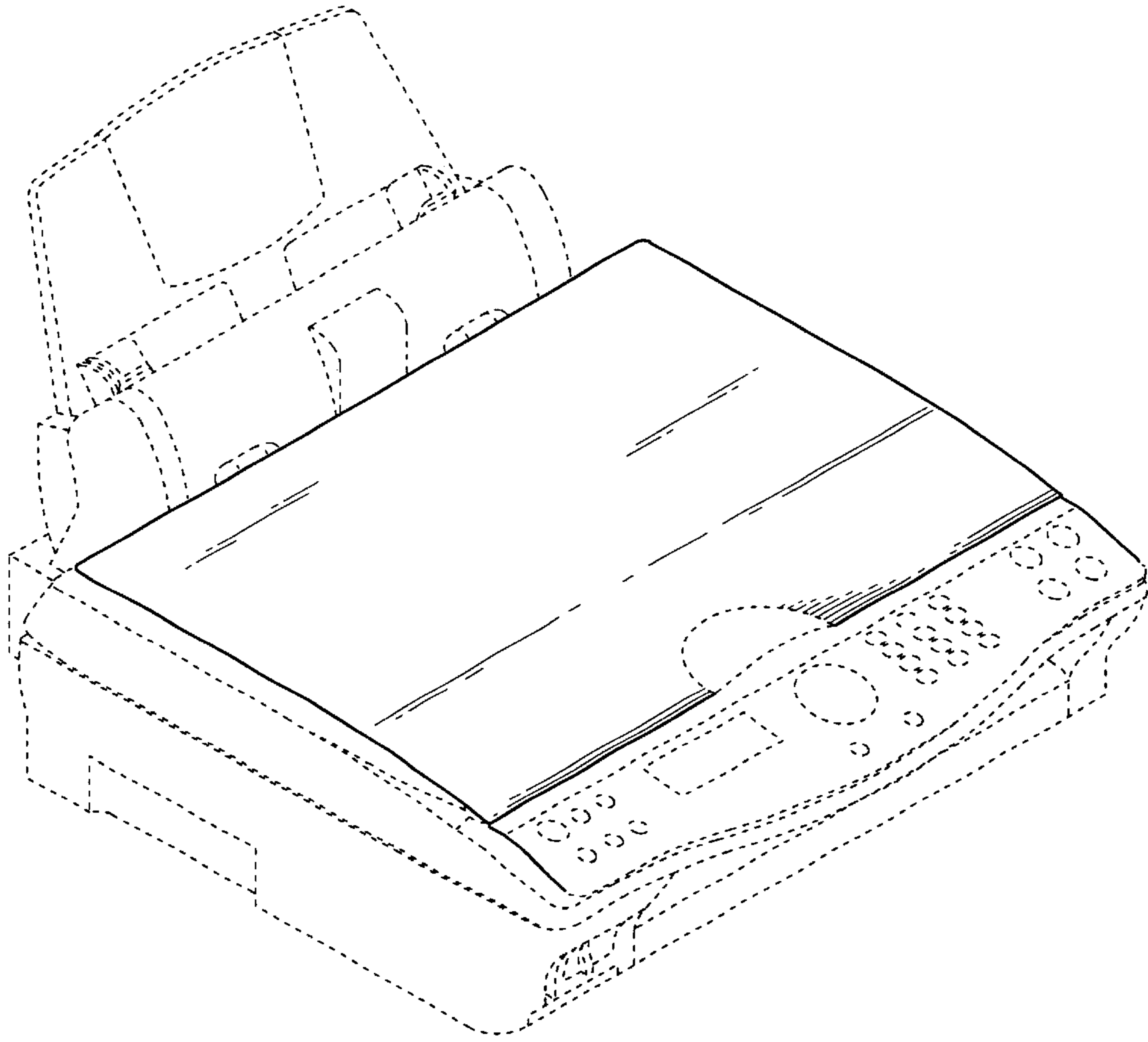


Fig. 1

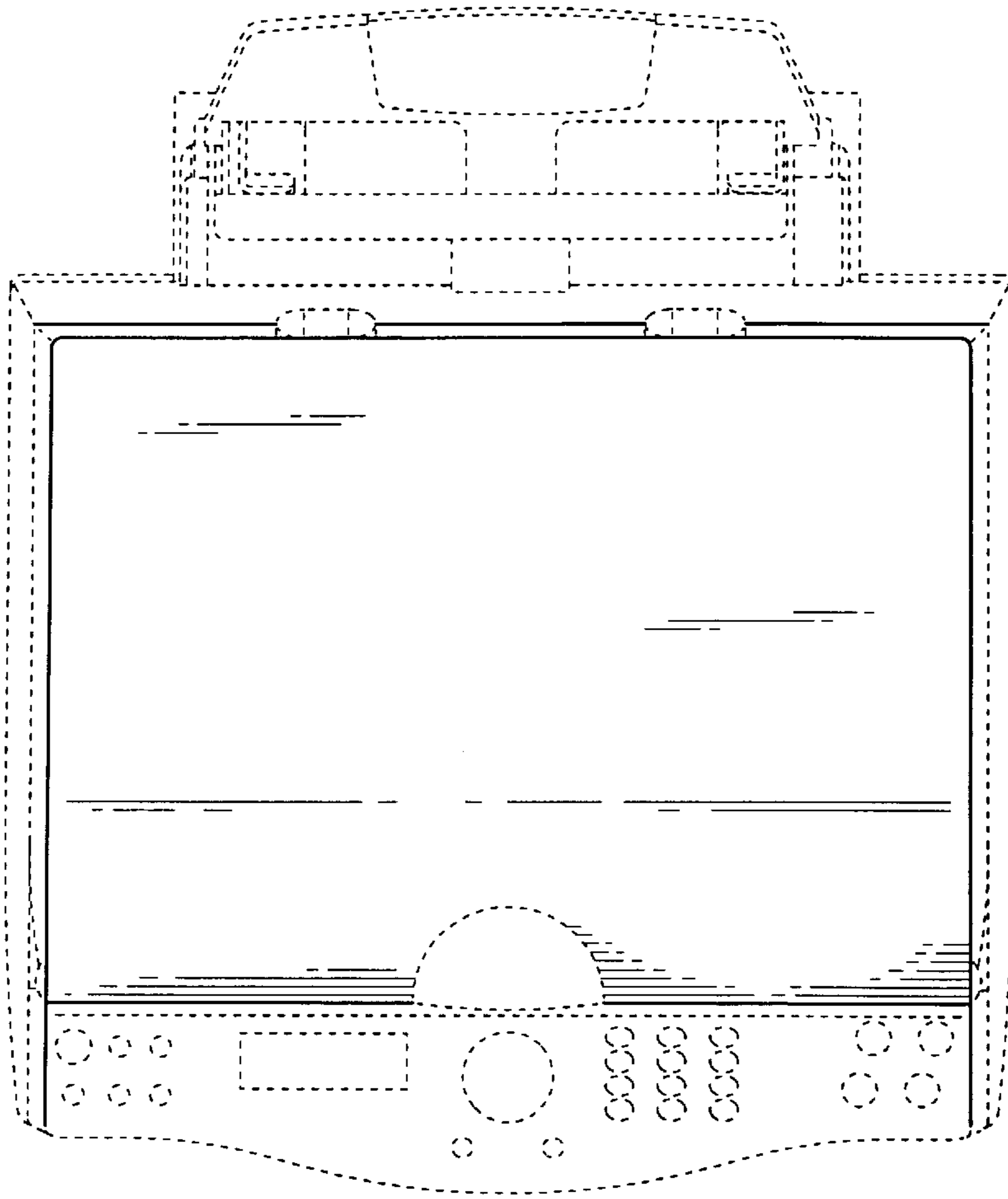


Fig. 2

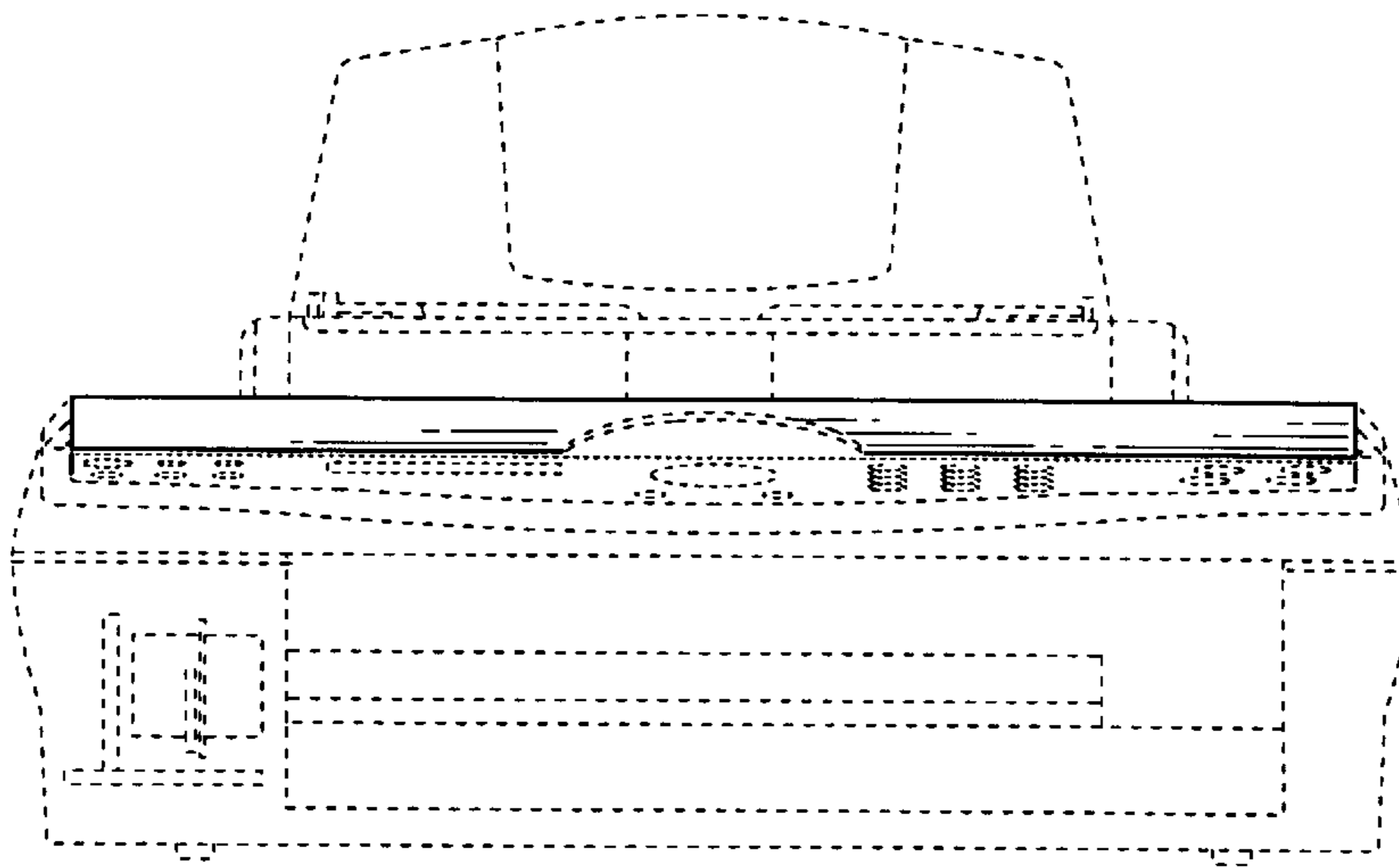


Fig. 3

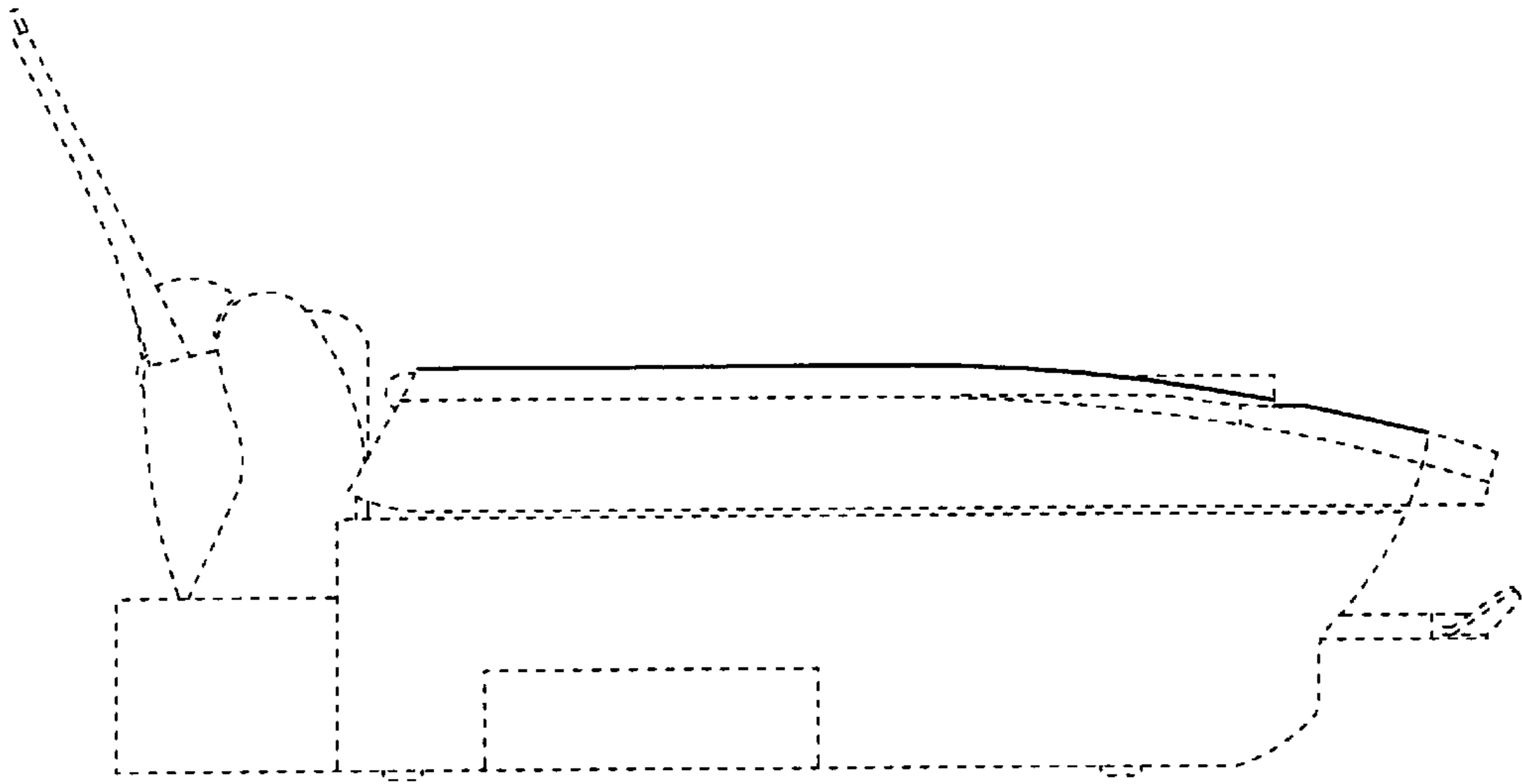


Fig. 4

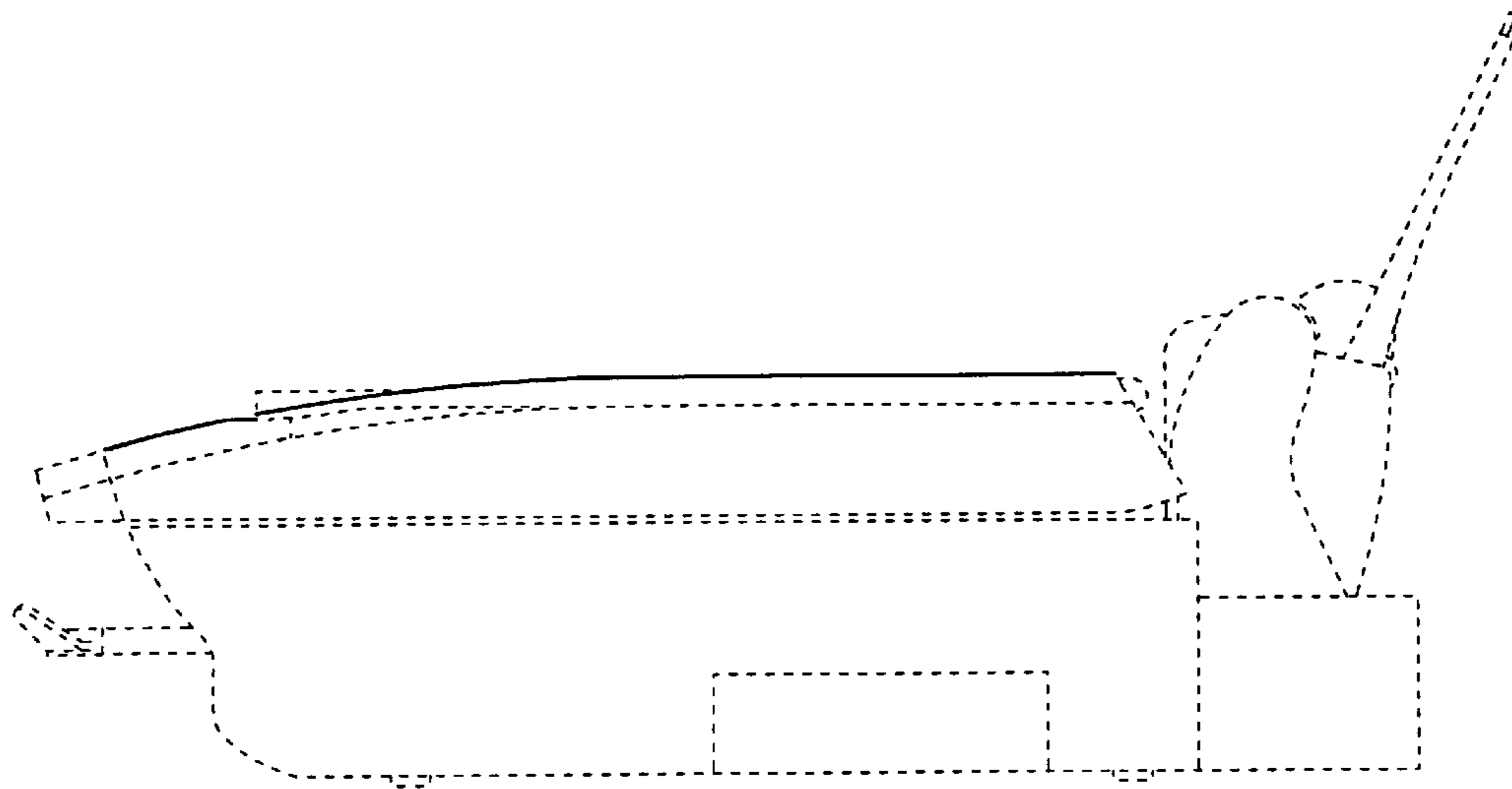


Fig. 5

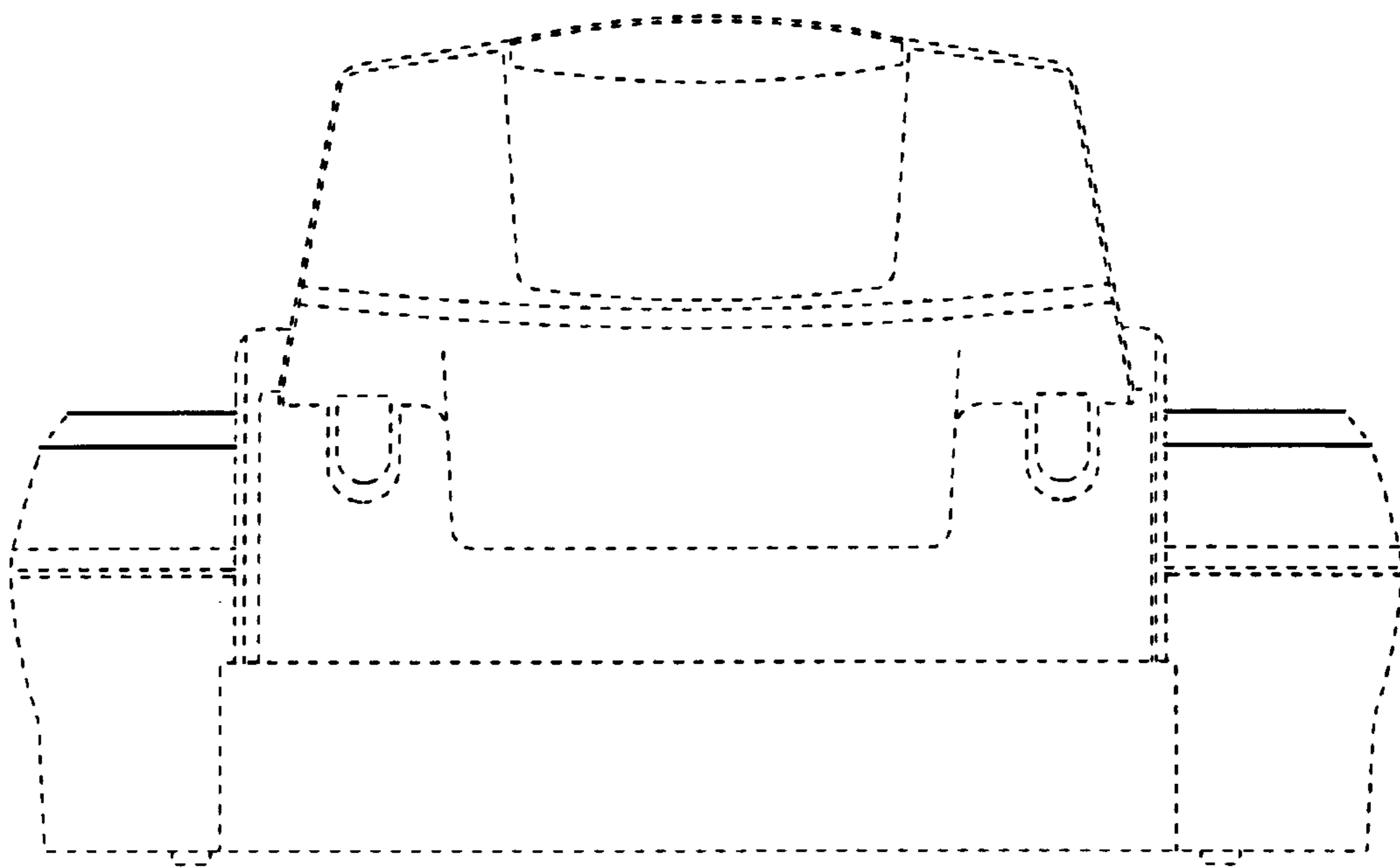


Fig. 6

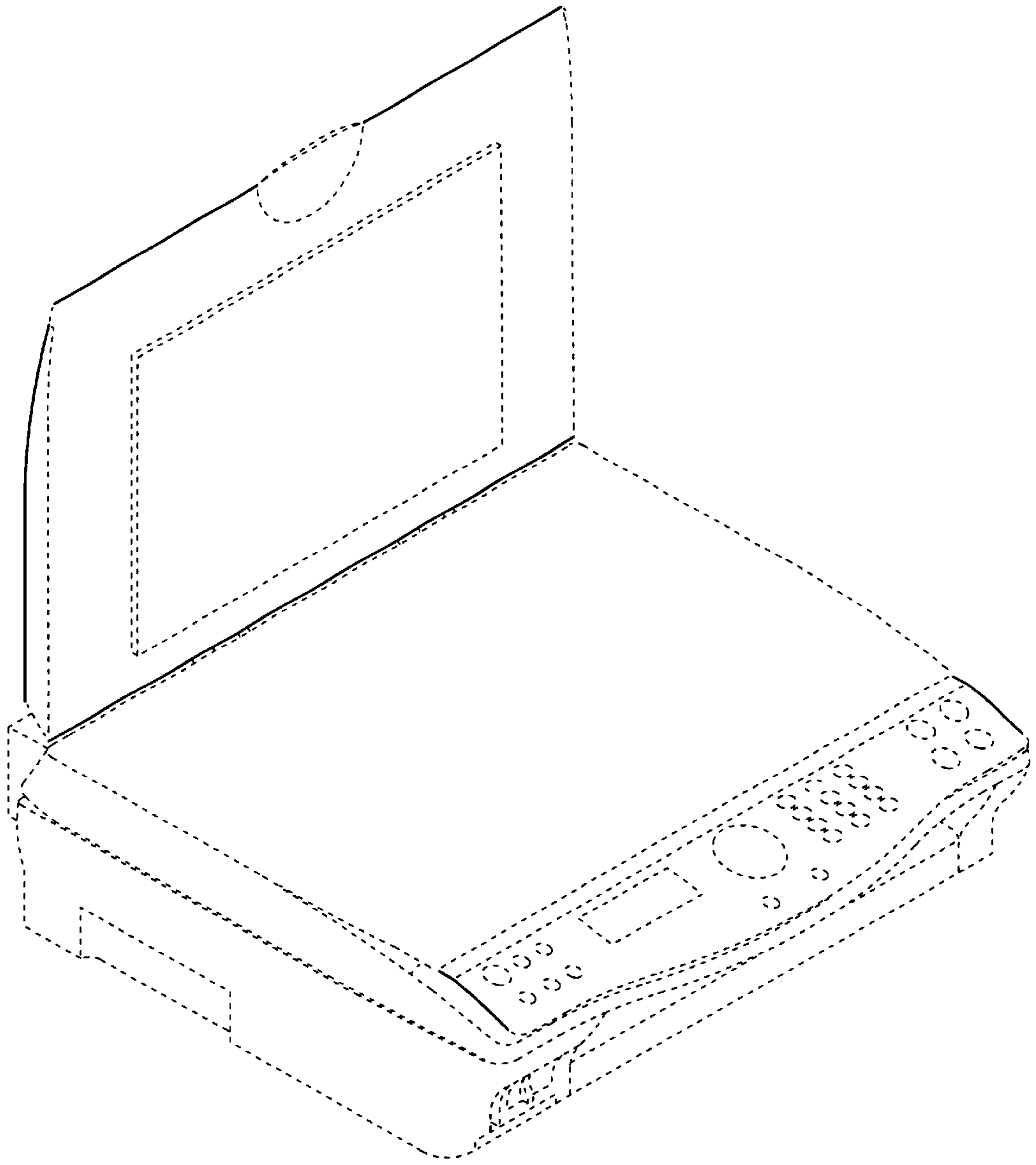


Fig. 7