



US00D481747S

(12) **United States Design Patent**  
**Tanaka**

(10) **Patent No.:** **US D481,747 S**

(45) **Date of Patent:** **\*\* Nov. 4, 2003**

(54) **ELECTRONIC STILL CAMERA**

(75) Inventor: **Kunihiko Tanaka**, Tokyo (JP)

(73) Assignee: **Fuji Photo Film Co., Ltd.**, Kanagawa (JP)

(\*\*) Term: **14 Years**

(21) Appl. No.: **29/169,967**

(22) Filed: **Oct. 30, 2002**

(30) **Foreign Application Priority Data**

May 17, 2002 (JP) ..... 2002-013207

(51) **LOC (7) Cl.** ..... **16-01**

(52) **U.S. Cl.** ..... **D16/202**

(58) **Field of Search** ..... D16/200-206,  
D16/208, 218; 348/373-376; 358/906, 909.1;  
396/535-541

(56) **References Cited**

**U.S. PATENT DOCUMENTS**

D244,686 S	*	6/1977	Hansen	.....	D16/218
D369,819 S	*	5/1996	Mori	.....	D16/202
D408,044 S		4/1999	Tanaka et al.	.....	D16/202
D418,151 S	*	12/1999	Sumita	.....	D16/202
D422,291 S		4/2000	Senda	.....	D16/202
D436,976 S		1/2001	Tanaka	.....	D16/202
D447,504 S	*	9/2001	Horikiri	.....	D16/218

D450,071 S		11/2001	Funato	.....	D16/202
D457,902 S		5/2002	Porsche et al.	.....	D16/202
6,415,106 B2	*	7/2002	Hayashi et al.	.....	348/376
D472,258 S	*	3/2003	Yin et al.	.....	D16/202

\* cited by examiner

*Primary Examiner*—Adir Aronovich

(74) *Attorney, Agent, or Firm*—Young & Thompson

(57) **CLAIM**

The ornamental design for an electronic still camera, as shown and described.

**DESCRIPTION**

FIG. 1 is a top, front and side perspective view of an electronic still camera showing my new design;  
 FIG. 2 is a front elevational view thereof;  
 FIG. 3 is a rear elevational view thereof;  
 FIG. 4 is a top plan view thereof;  
 FIG. 5 is a bottom plan view thereof;  
 FIG. 6 is a side elevational view thereof from the right of FIG. 2;  
 FIG. 7 is a side elevational view thereof from the left of FIG. 2;  
 FIG. 8 is a view similar to FIG. 1 showing the parts in a different position; and,  
 FIG. 9 is a view similar to FIG. 6 showing the parts in a different position.

**1 Claim, 5 Drawing Sheets**

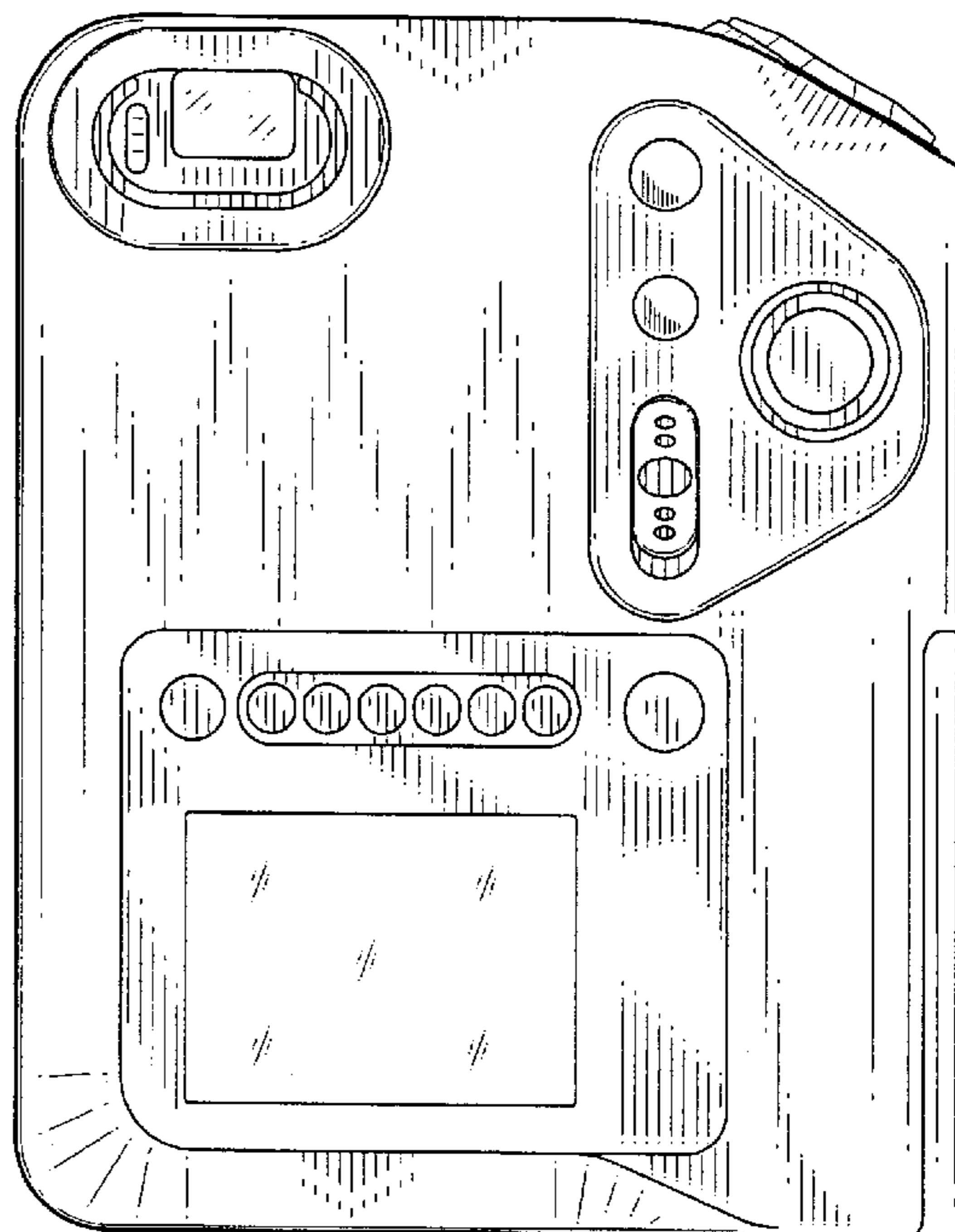
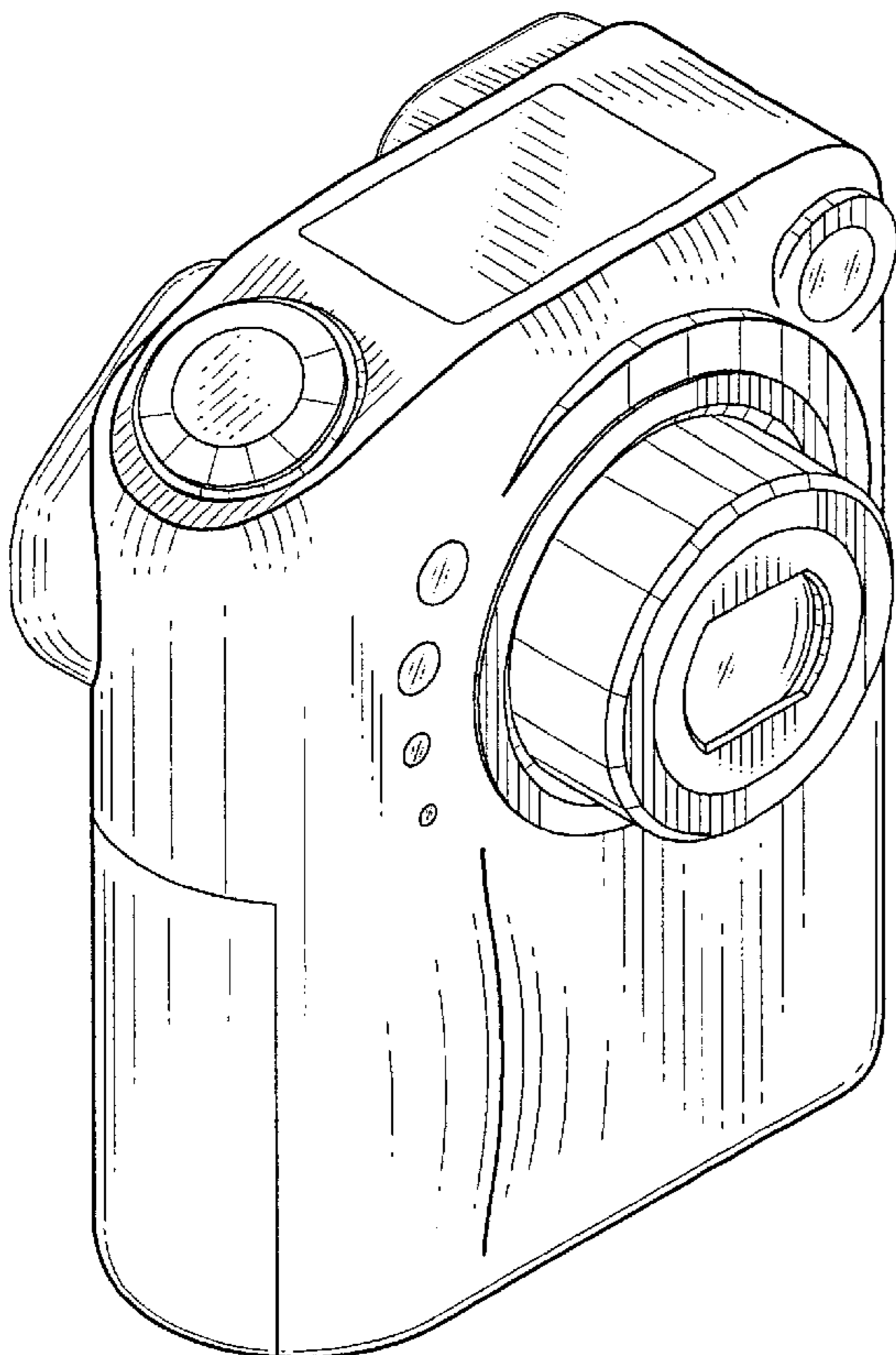


FIG. 1

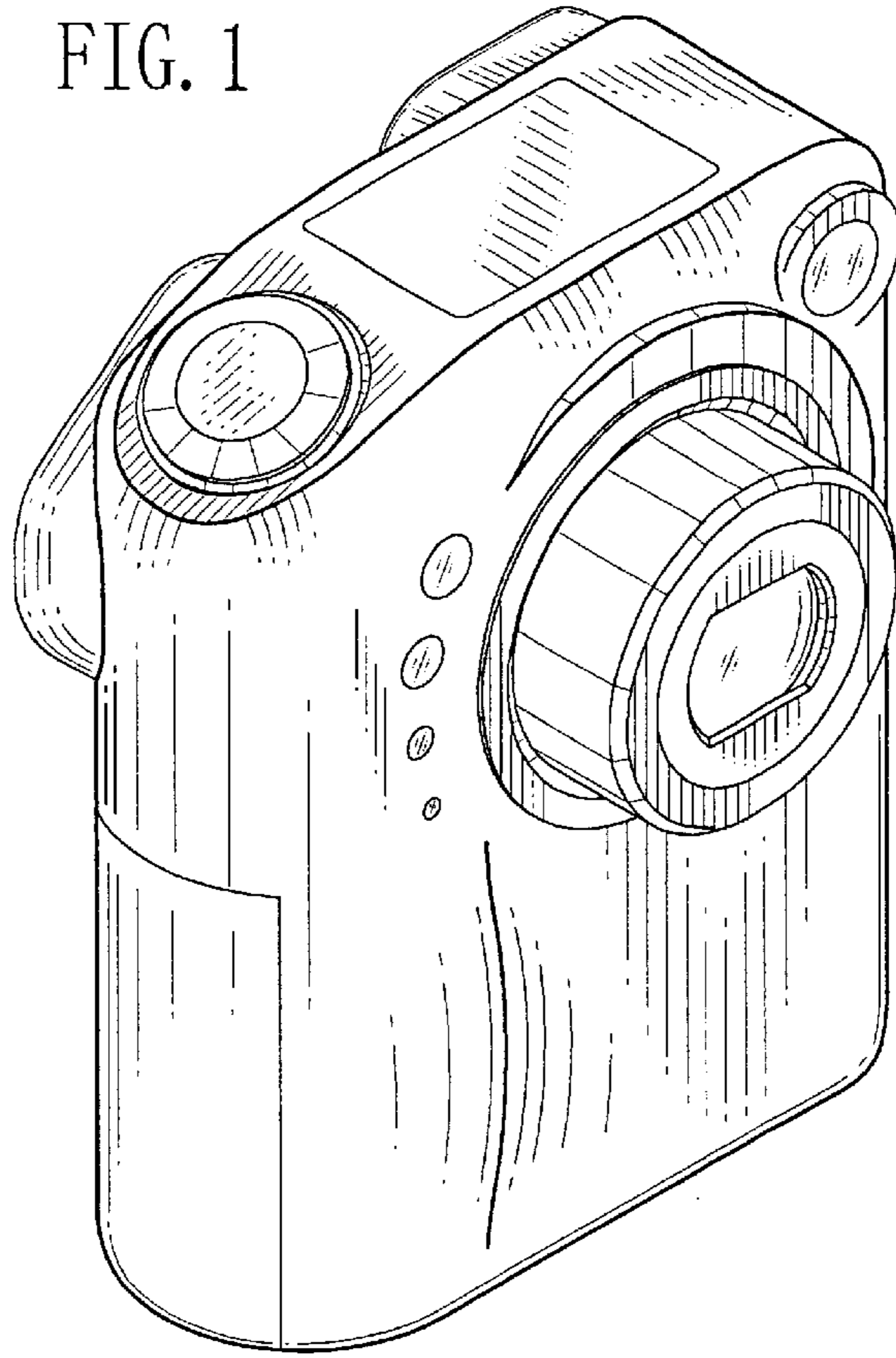


FIG. 2

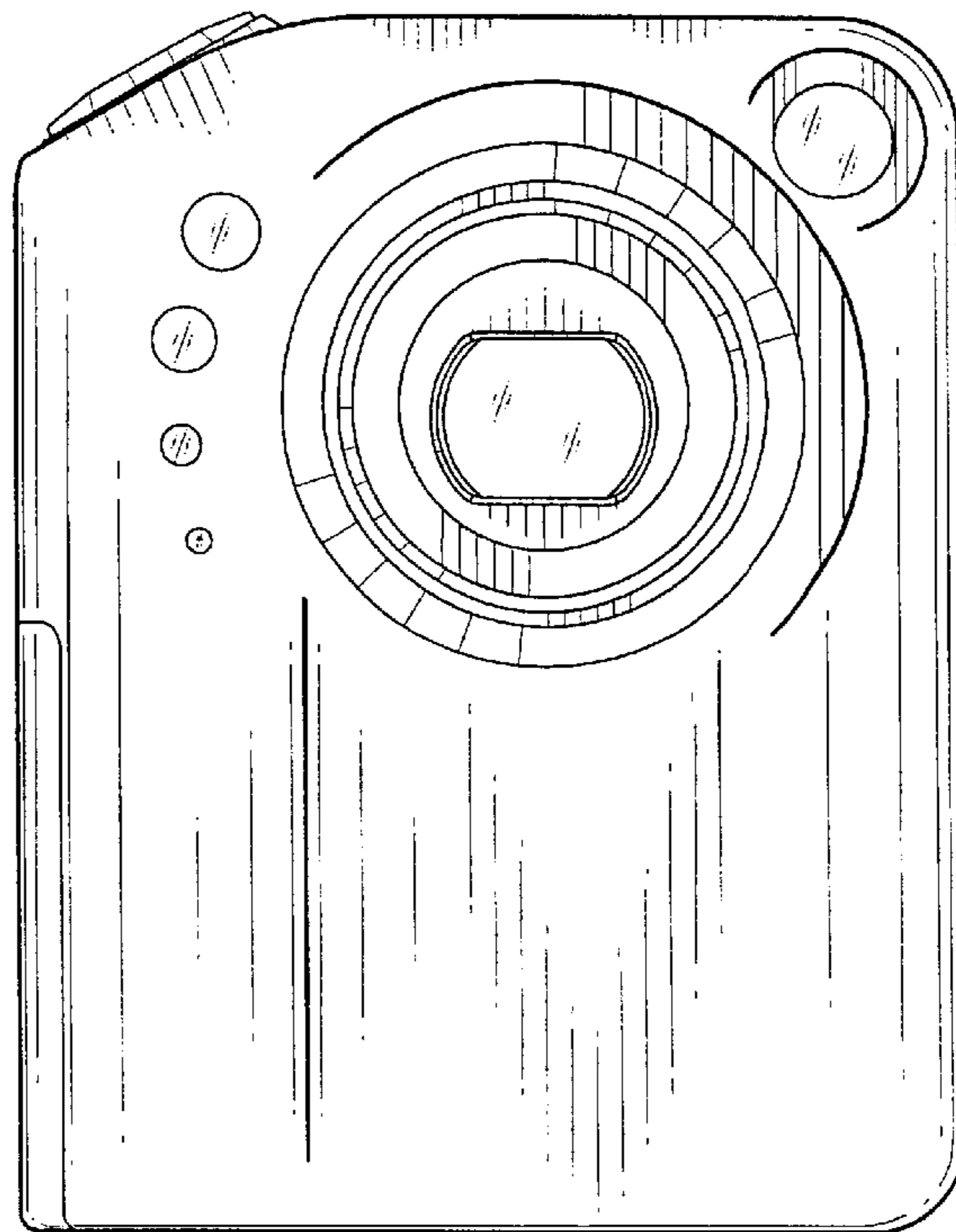


FIG. 3

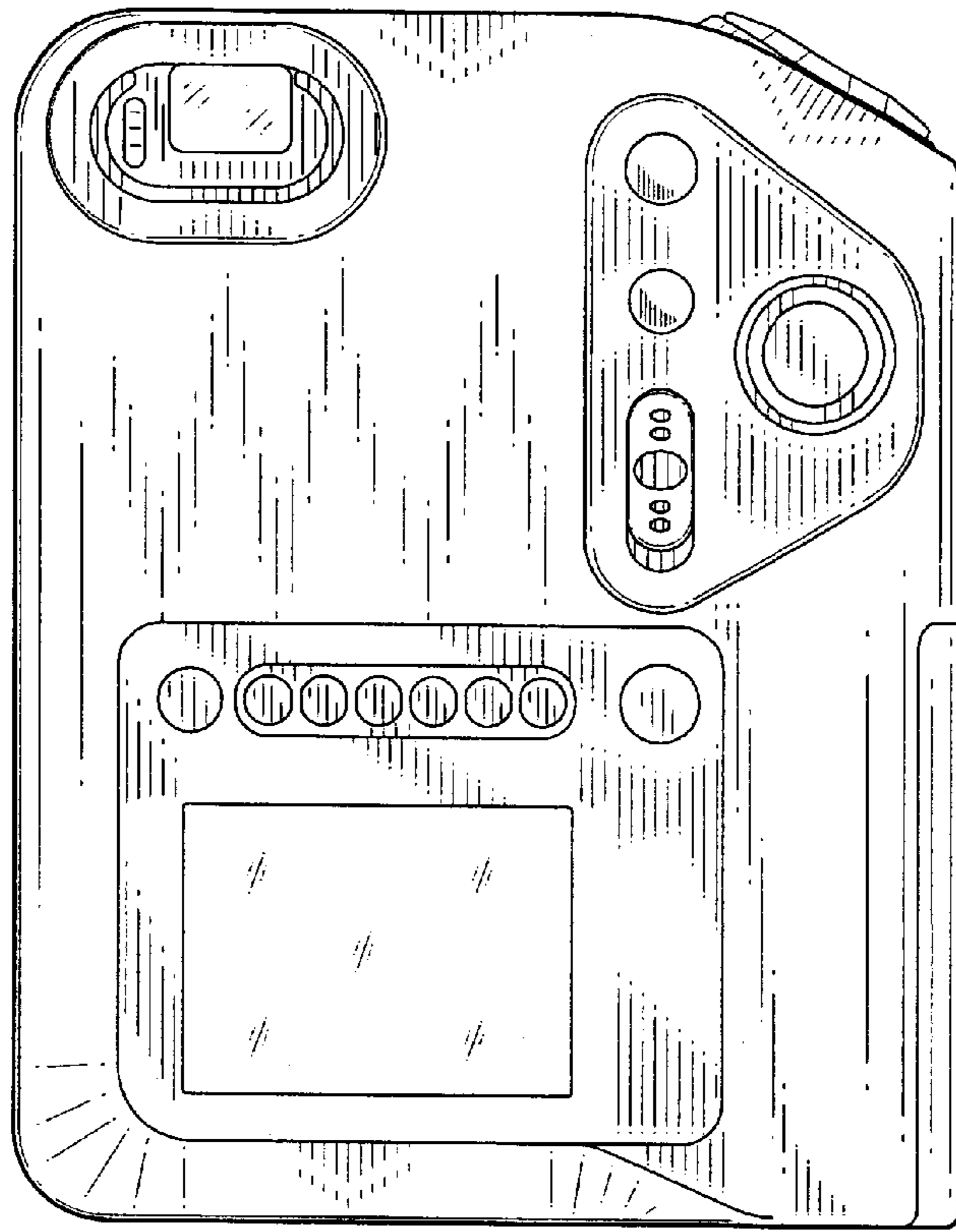


FIG. 4

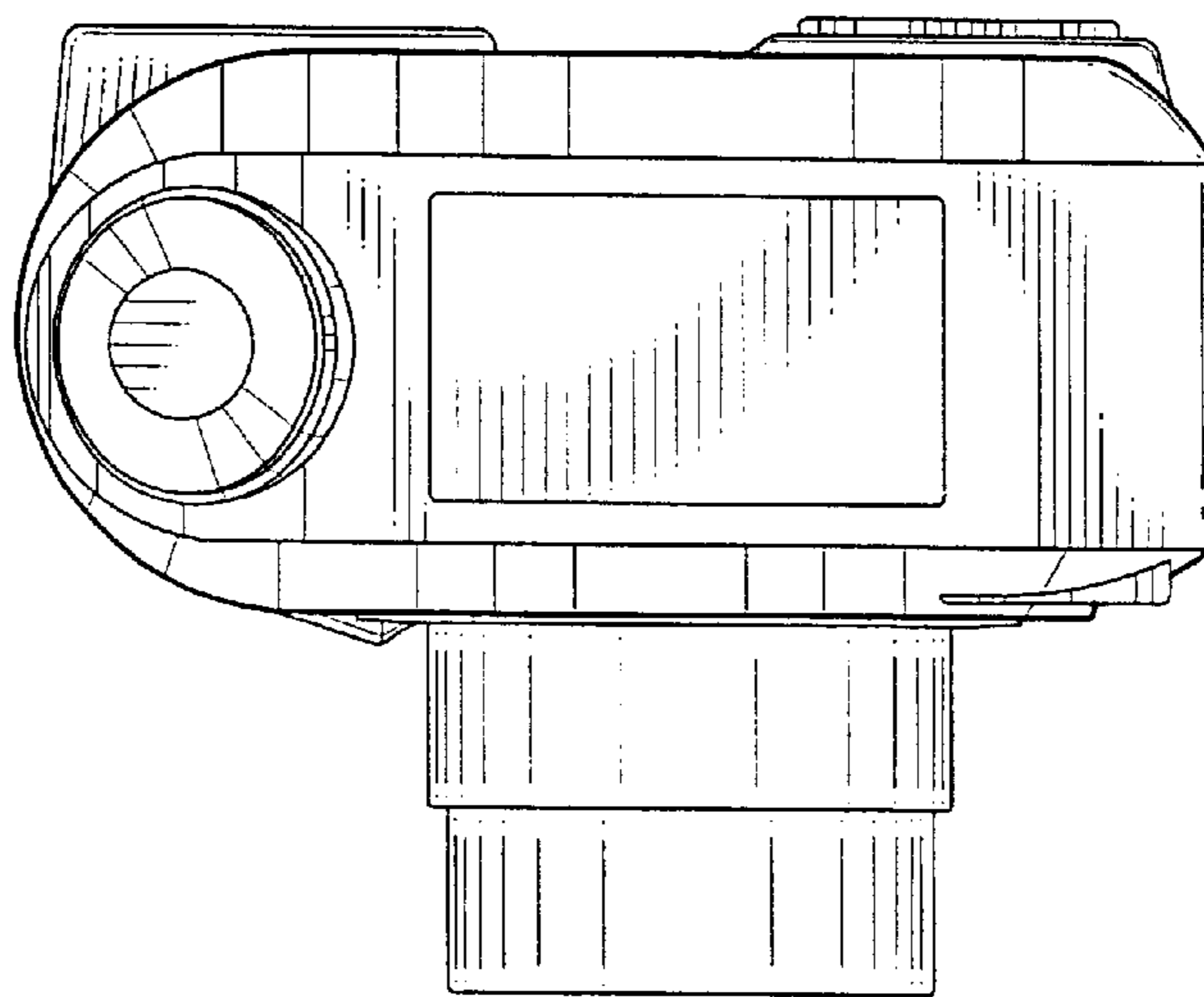


FIG. 5

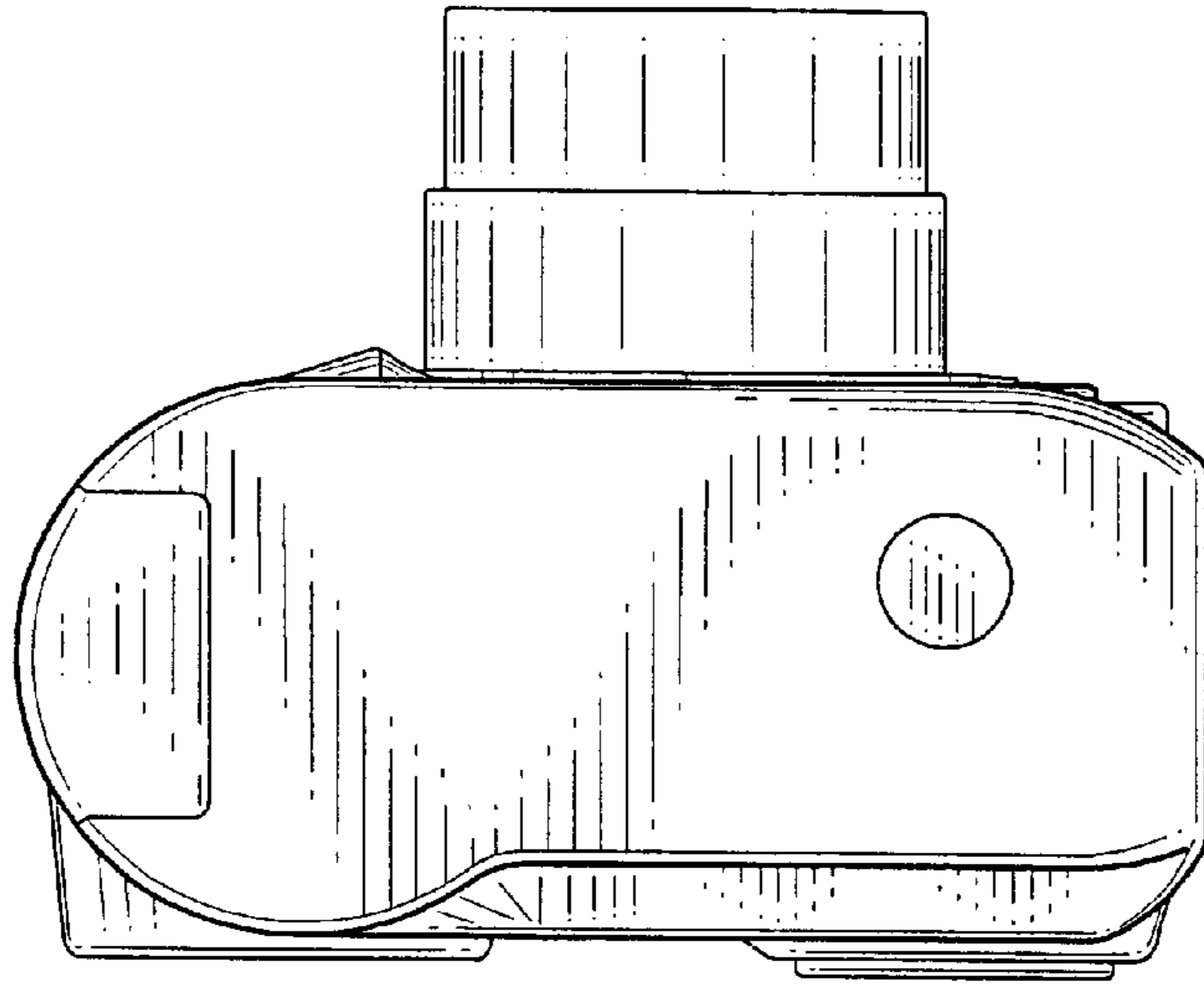


FIG. 6

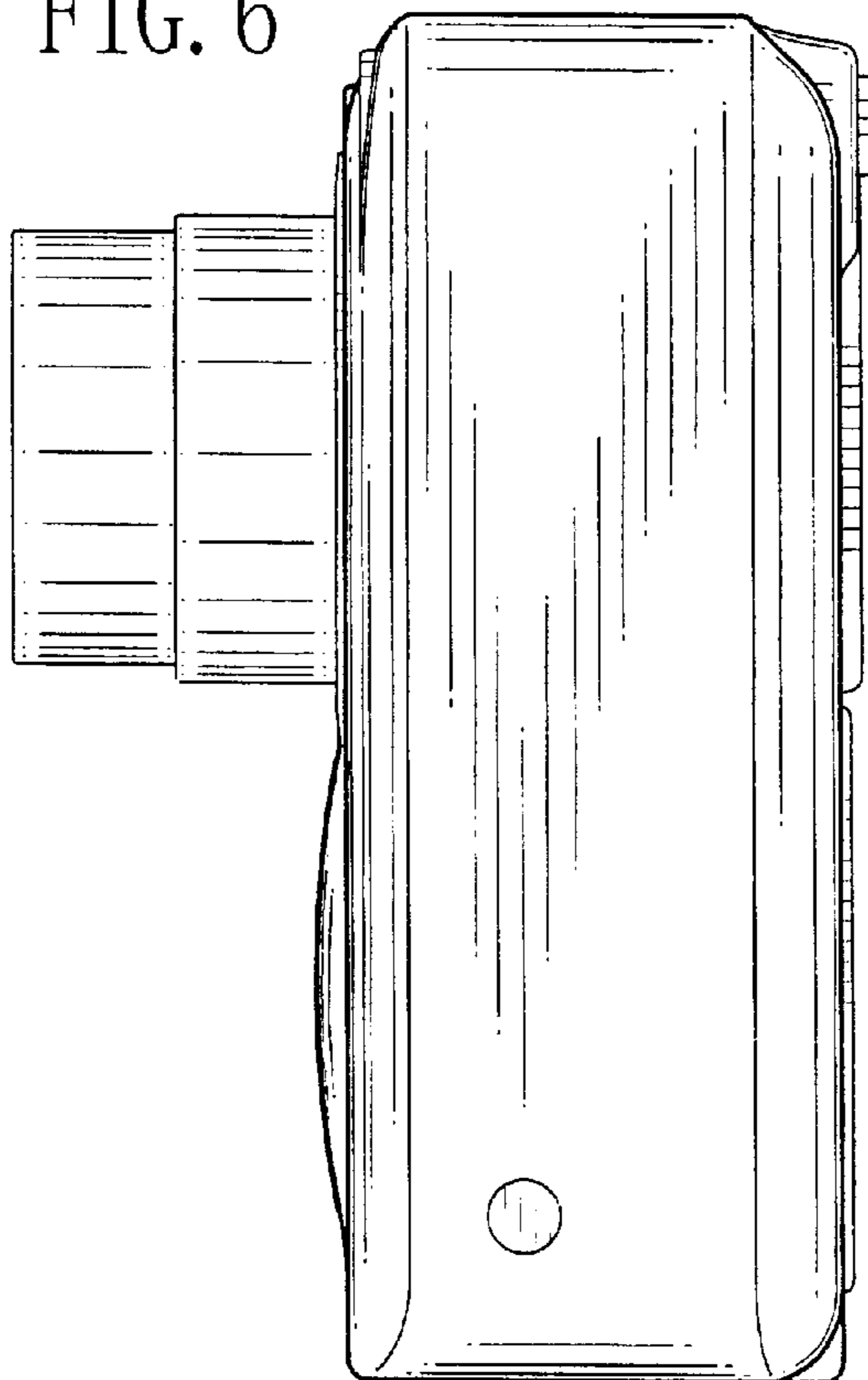


FIG. 7

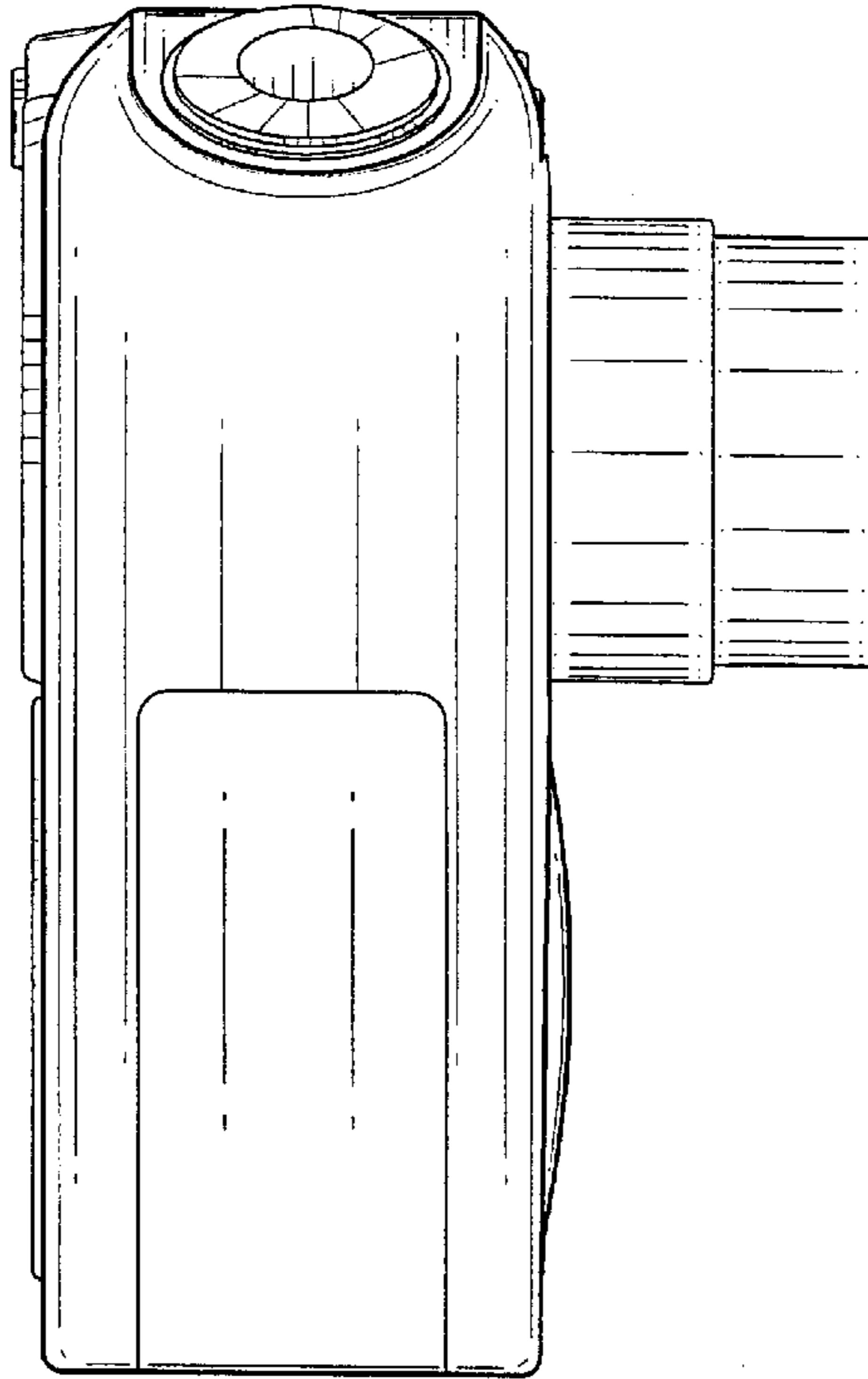


FIG. 8

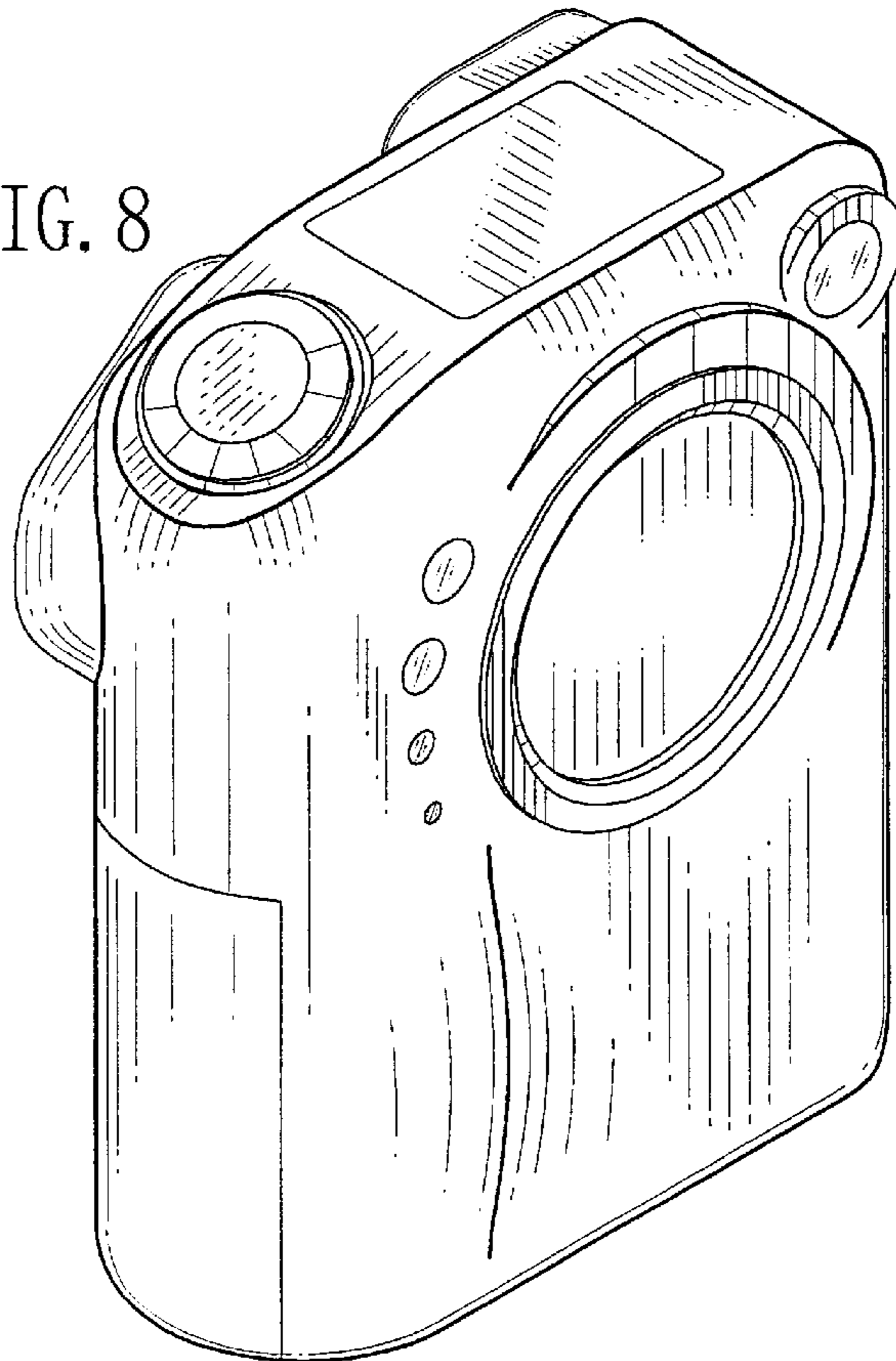


FIG. 9

