



US00D481746S

(12) **United States Design Patent**
Lu et al.

(10) **Patent No.:** **US D481,746 S**

(45) **Date of Patent:** **** Nov. 4, 2003**

(54) **DIGITAL VIDEO CAMERA**

(75) Inventors: **I-Chang Lu**, KaoHsiung (TW); **Yi-Li Chen**, Taipei (TW); **Jone Su**, ChuPei (TW)

(73) Assignee: **AIPTEK International Inc.**, Hsinchu (TW)

(**) Term: **14 Years**

(21) Appl. No.: **29/169,312**

(22) Filed: **Oct. 18, 2002**

(51) **LOC (7) Cl.** **16-01**

(52) **U.S. Cl.** **D16/202**

(58) **Field of Search** D16/200-205,
D16/208, 218; 348/373-376; 358/906; 396/535-541

(56) **References Cited**

U.S. PATENT DOCUMENTS

D391,588 S * 3/1998 Sumita D16/202
D394,075 S * 5/1998 Ninomiya et al. D16/202
D407,097 S * 3/1999 Suzuki et al. D16/202

D413,911 S * 9/1999 Goto et al. D16/202
D429,267 S * 8/2000 Sumita et al. D16/202
D431,582 S * 10/2000 Sumita et al. D16/202
D463,469 S * 9/2002 Kawase D16/202

* cited by examiner

Primary Examiner—Adir Aronovich

(74) *Attorney, Agent, or Firm*—Troxell Law Office PLLC

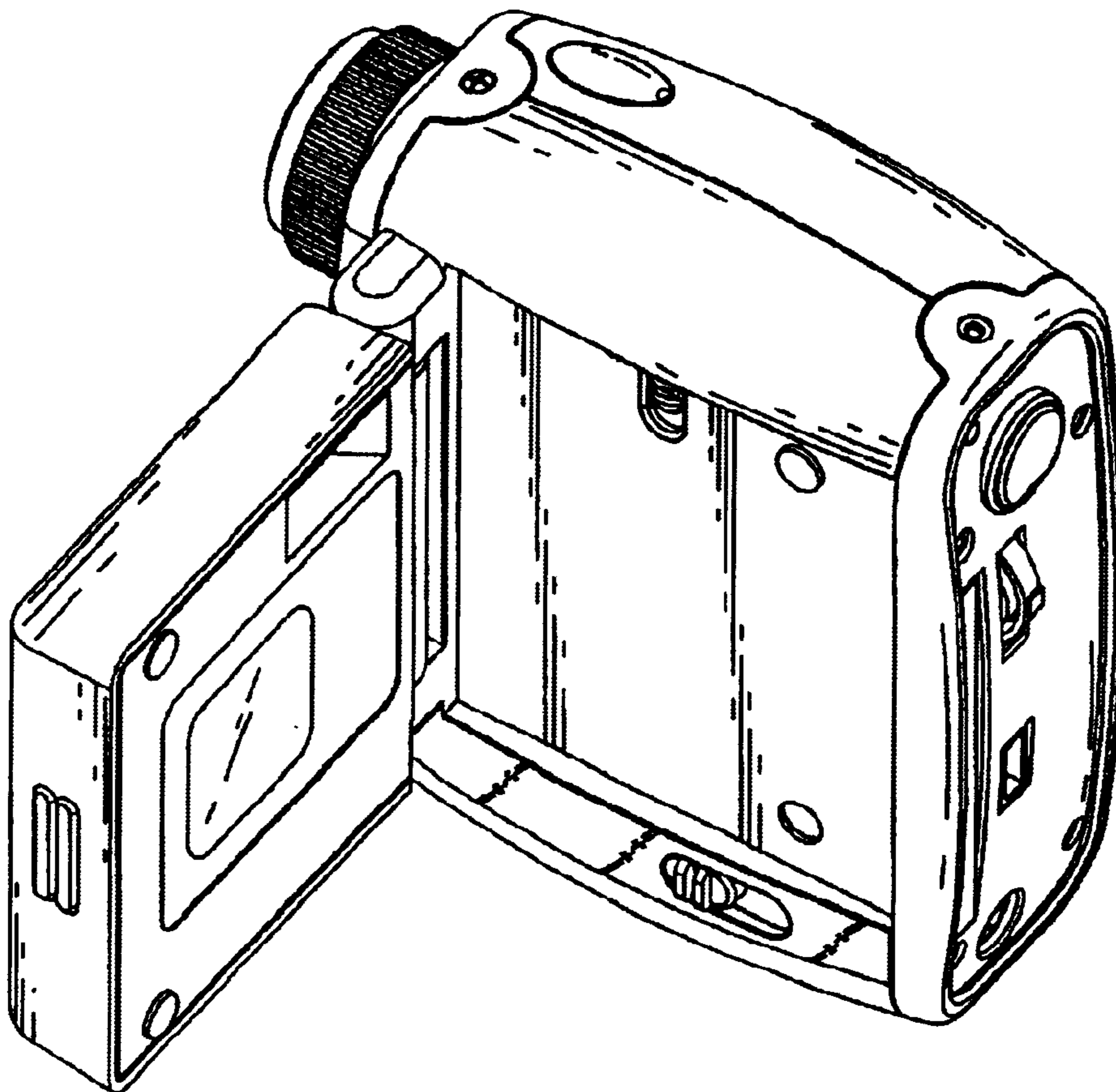
(57) **CLAIM**

The ornamental design for a digital video camera, as shown and described.

DESCRIPTION

FIG. 1 is a perspective view of a digital video camera showing my design;
FIG. 2 is a front elevational view thereof;
FIG. 3 is a rear elevational view thereof;
FIG. 4 is a bottom plan view thereof;
FIG. 5 is a top plan view thereof;
FIG. 6 is a left side elevational view thereof; and,
FIG. 7 is a right side elevational view thereof.

1 Claim, 4 Drawing Sheets



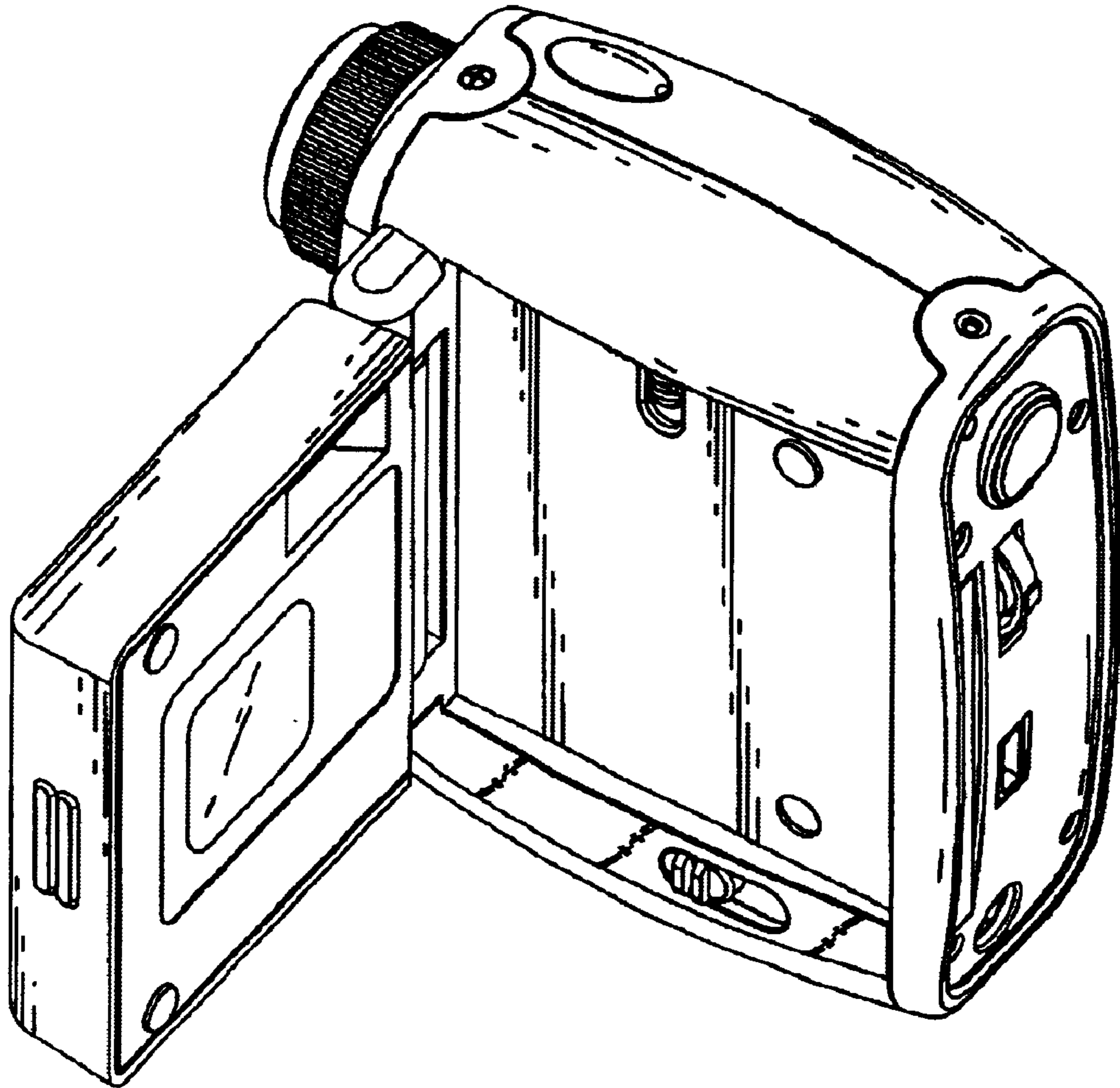


FIG. 1

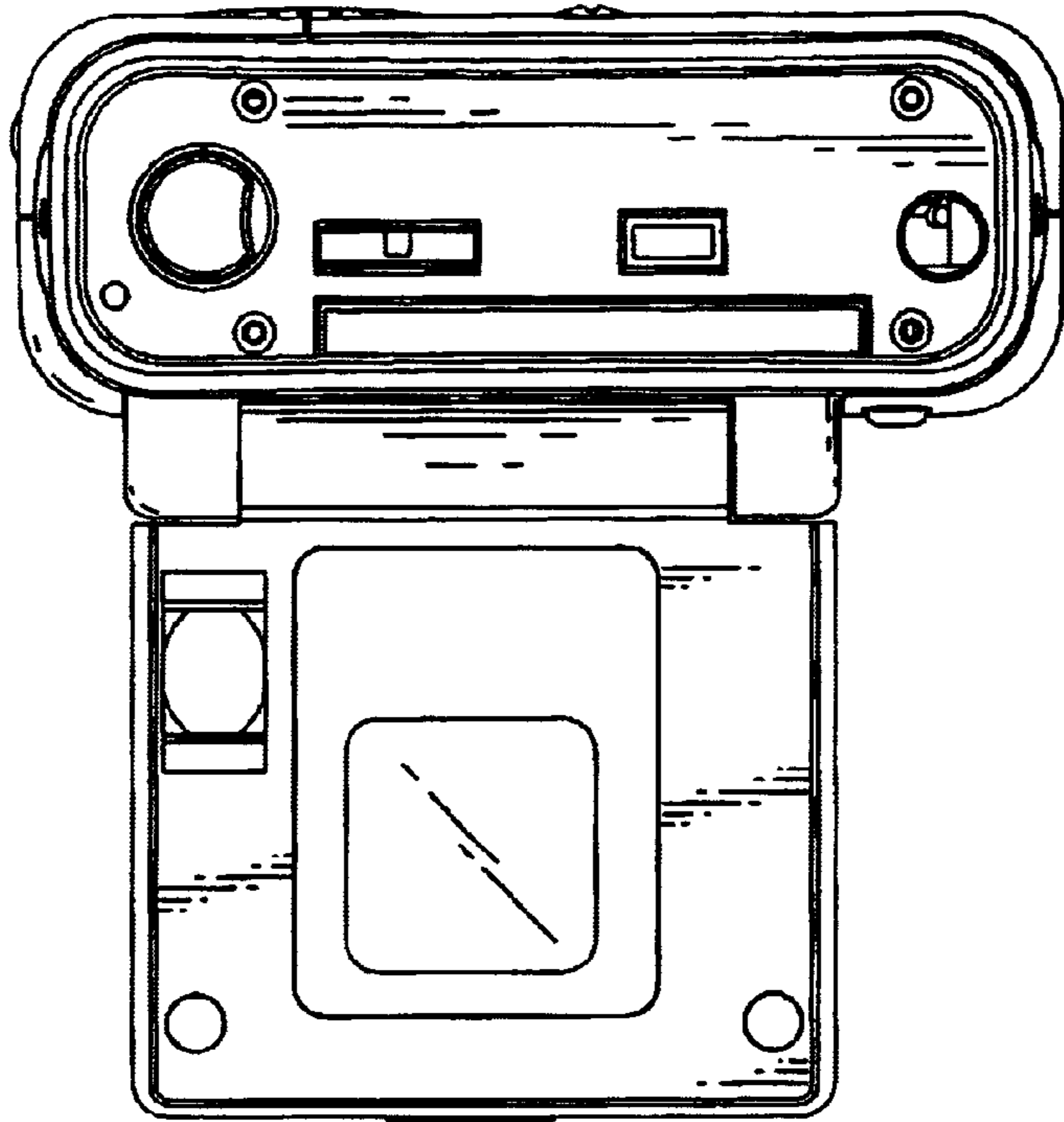


FIG. 2

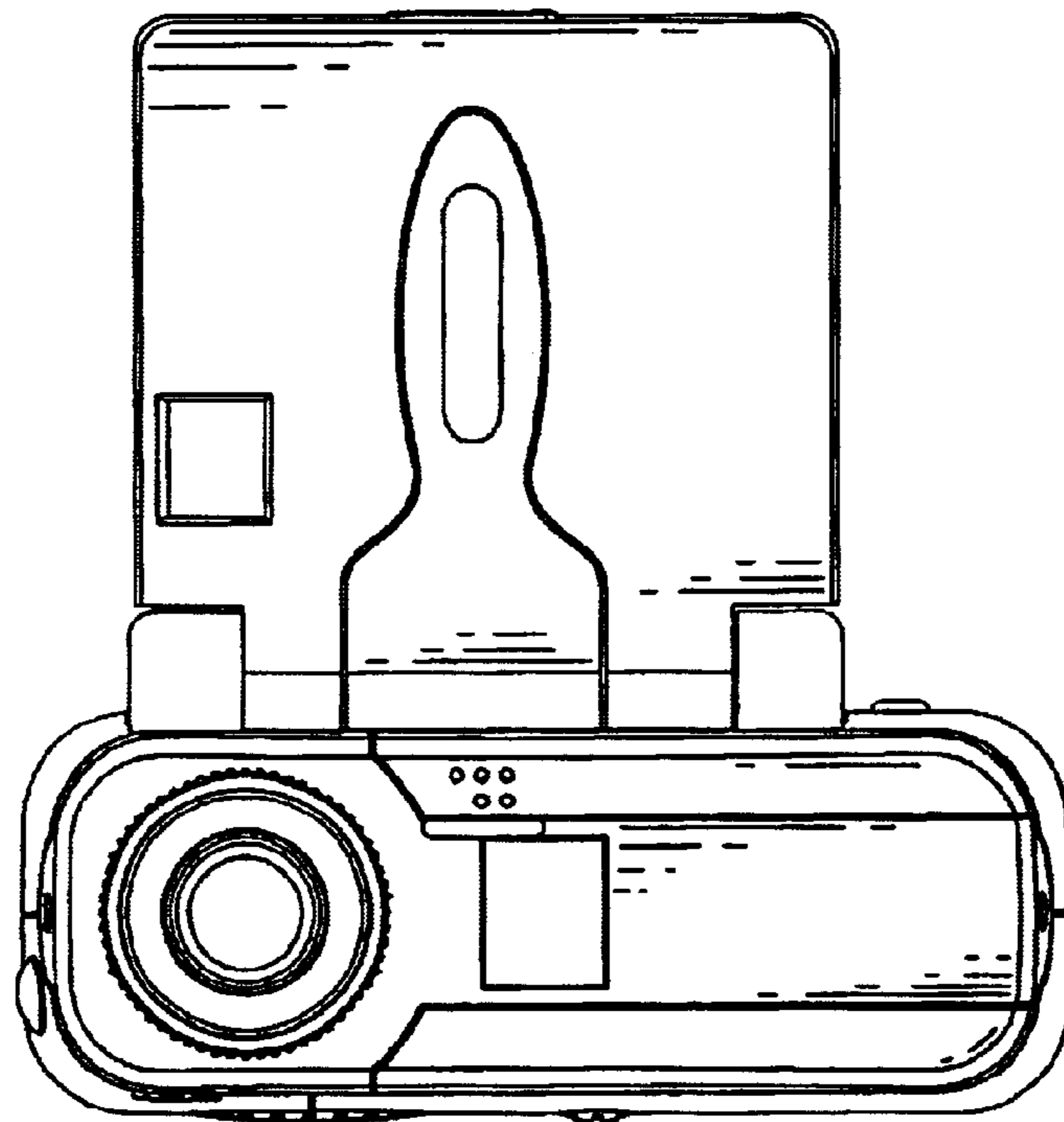


FIG. 3

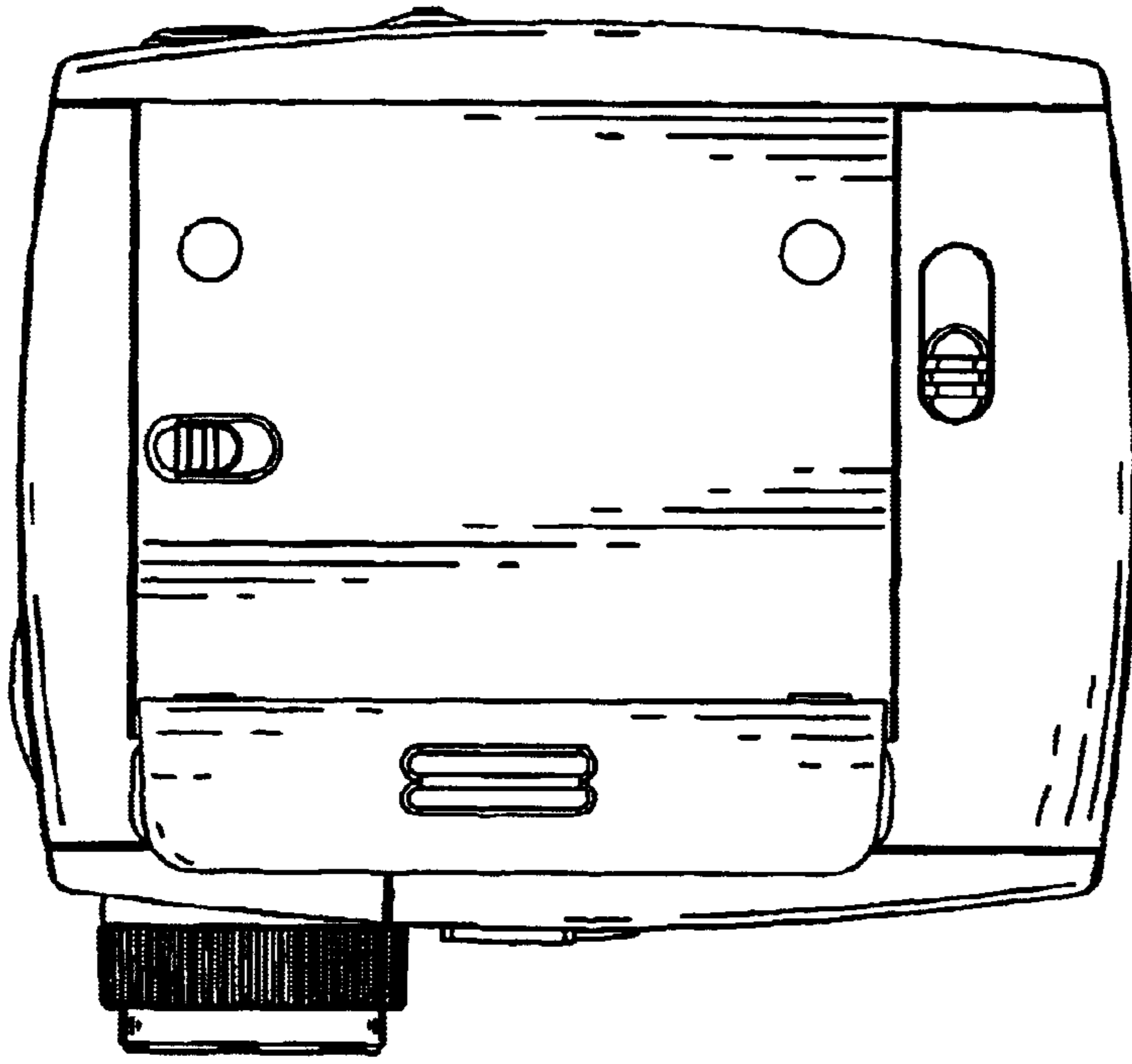


FIG. 5

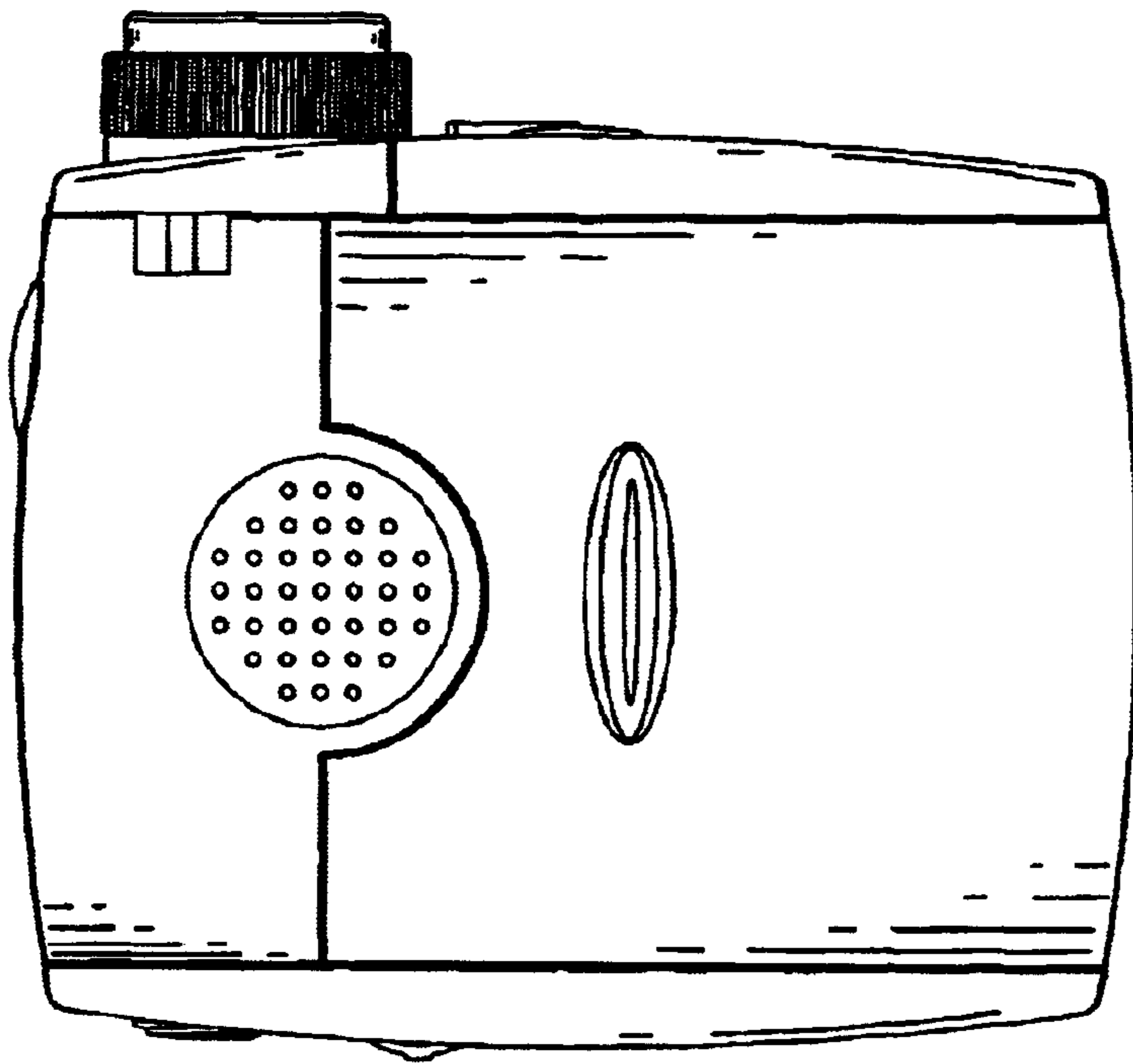


FIG. 4

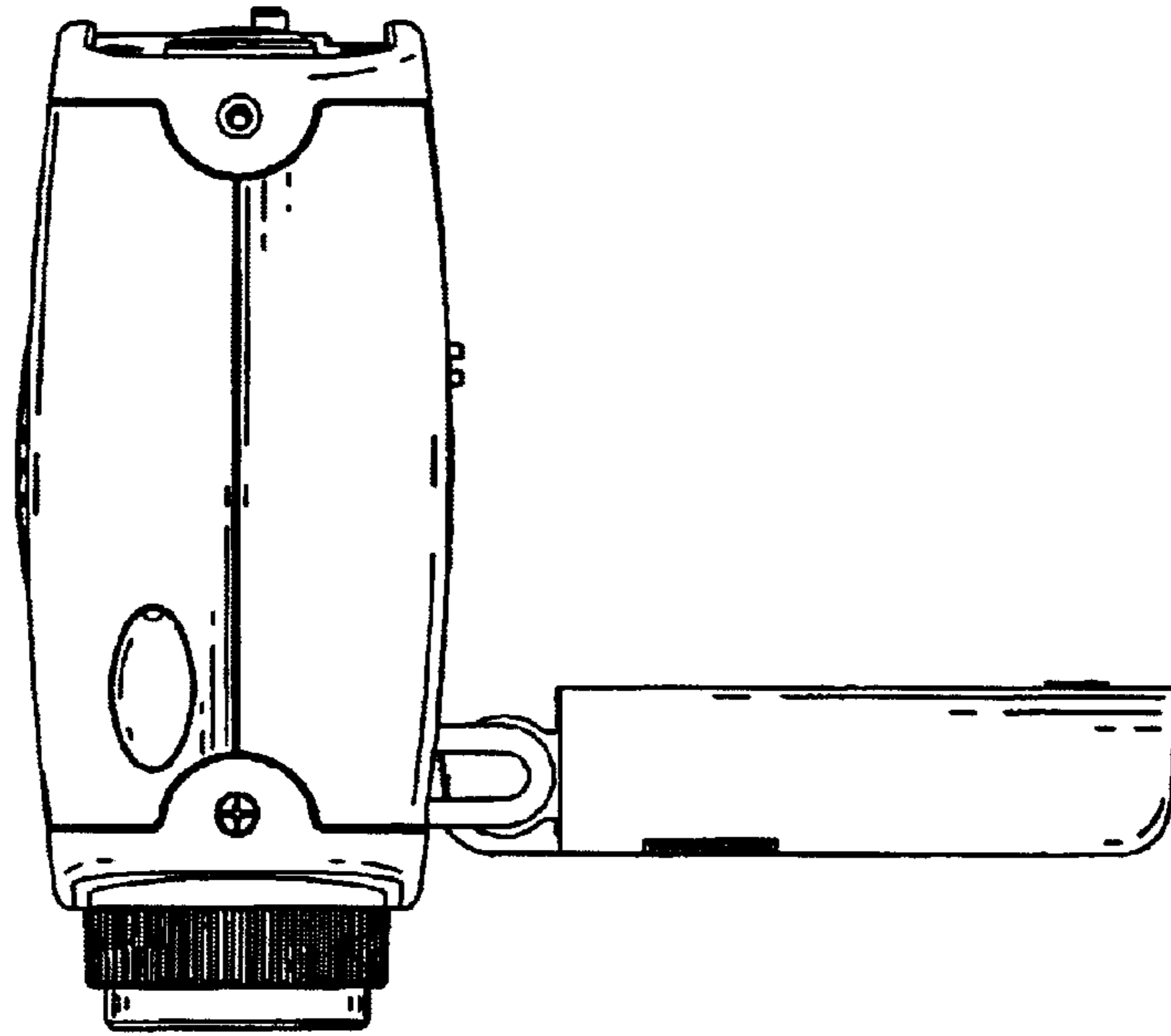


FIG. 6

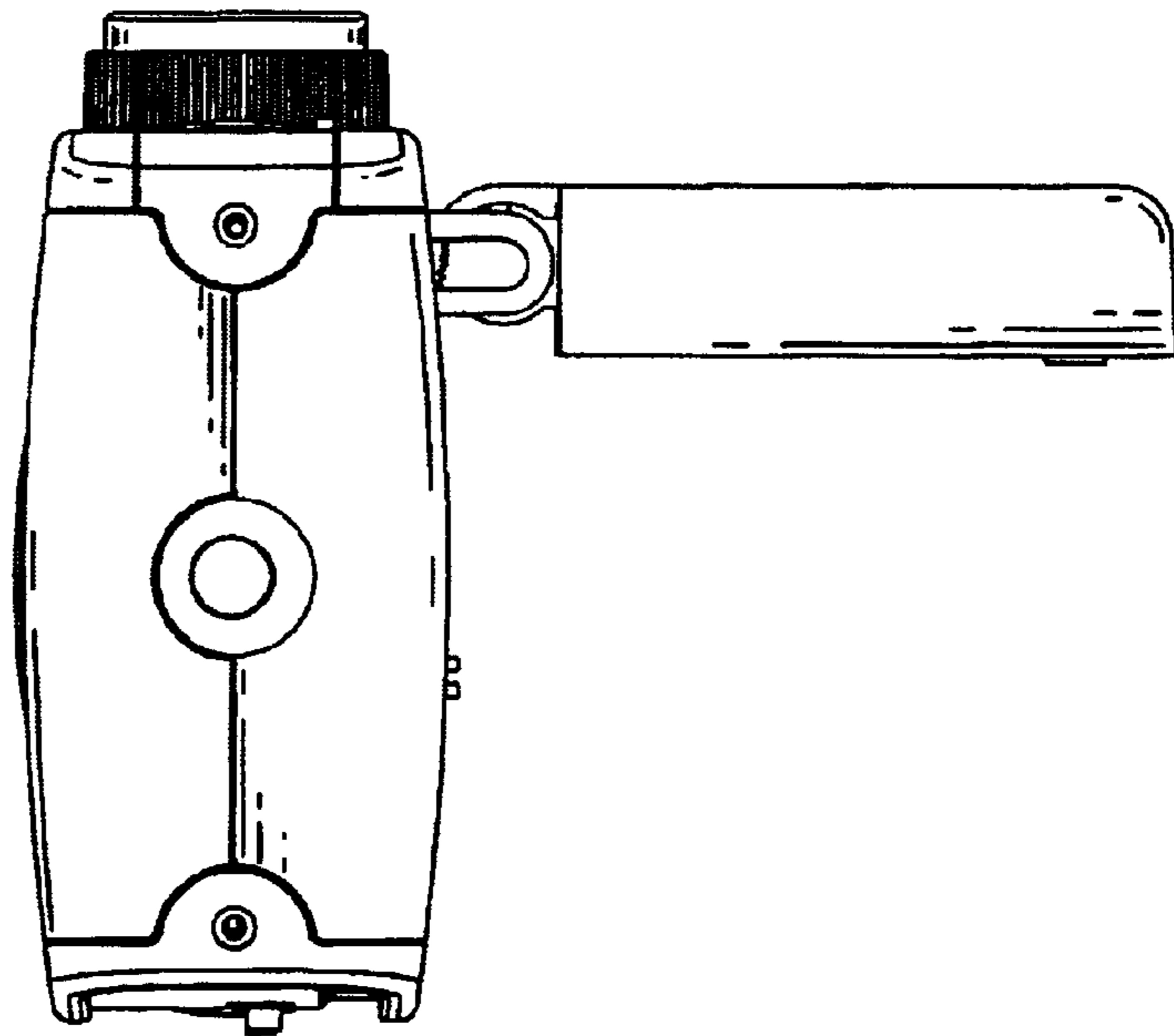


FIG. 7