



US00D481745S

(12) **United States Design Patent**
Yasui et al.

(10) **Patent No.:** **US D481,745 S**

(45) **Date of Patent:** **** Nov. 4, 2003**

(54) **GEAR CASE FOR AN
ELECTRO-HYDRAULIC APPARATUS**

3,958,466 A * 5/1976 Espenschied 477/139

* cited by examiner

(75) Inventors: **Tadashi Yasui**, Kyoto (JP); **Shigeru Hirabayashi**, Matsumoto (JP)

Primary Examiner—Antoine Duval Davis
(74) *Attorney, Agent, or Firm*—Jordan and Hamburg LLP

(73) Assignees: **Japan Storage Battery Co., Ltd.**,
Kyoto-fu (JP); **Izumi Products
Company**, Nagano-ken (JP)

(57) **CLAIM**

The ornamental design for a gear case for an electro-hydraulic apparatus, as shown and described.

(**) Term: **14 Years**

DESCRIPTION

(21) Appl. No.: **29/165,672**

FIG. 1 is Top plan view;

(22) Filed: **Aug. 14, 2002**

FIG. 2 is Front elevational view;

(51) **LOC (7) Cl.** **15-09**

FIG. 3 is Bottom view;

(52) **U.S. Cl.** **D15/149**

FIG. 4 is Rear elevational view;

(58) **Field of Search** D15/148, 149;
477/139, 163, 164, 162, 155, 53

FIG. 5 is Right side elevational view; and,

FIG. 6 is Reference perspective view 2.

(56) **References Cited**

The left side elevational view is a mirror image of the right side elevational view.

U.S. PATENT DOCUMENTS

3,659,481 A * 5/1972 Espenschied 477/53

1 Claim, 3 Drawing Sheets

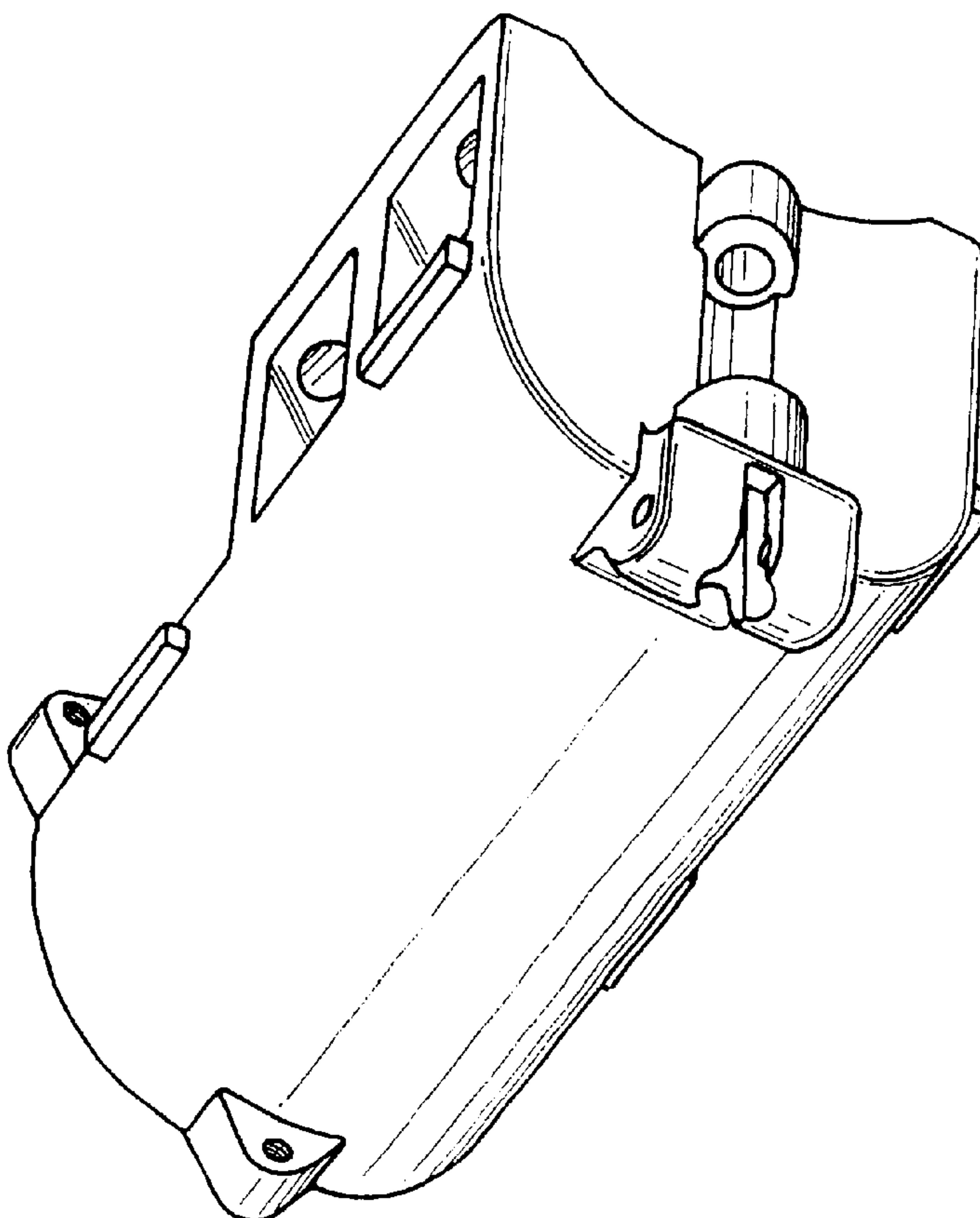


Fig.1

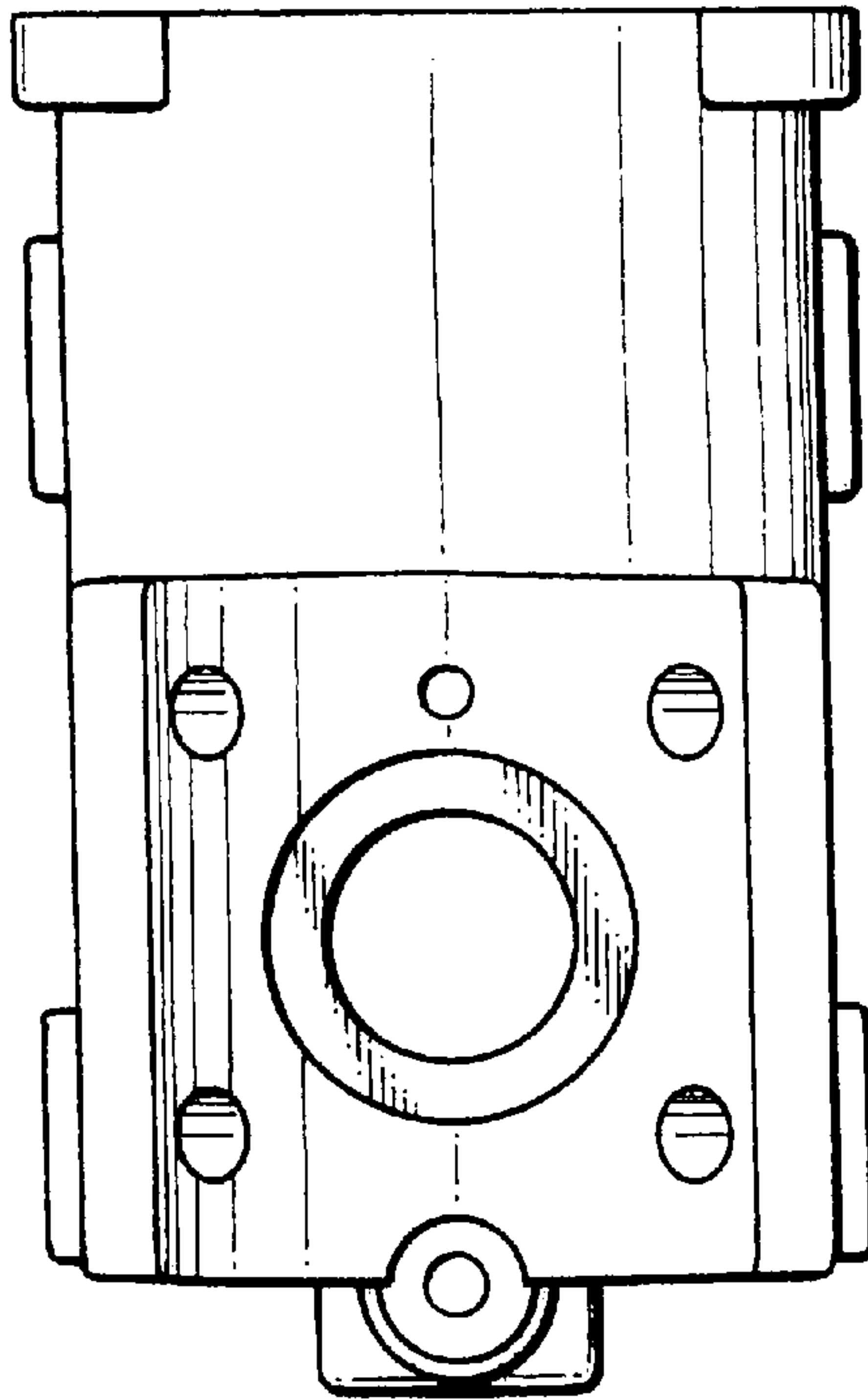


Fig.2

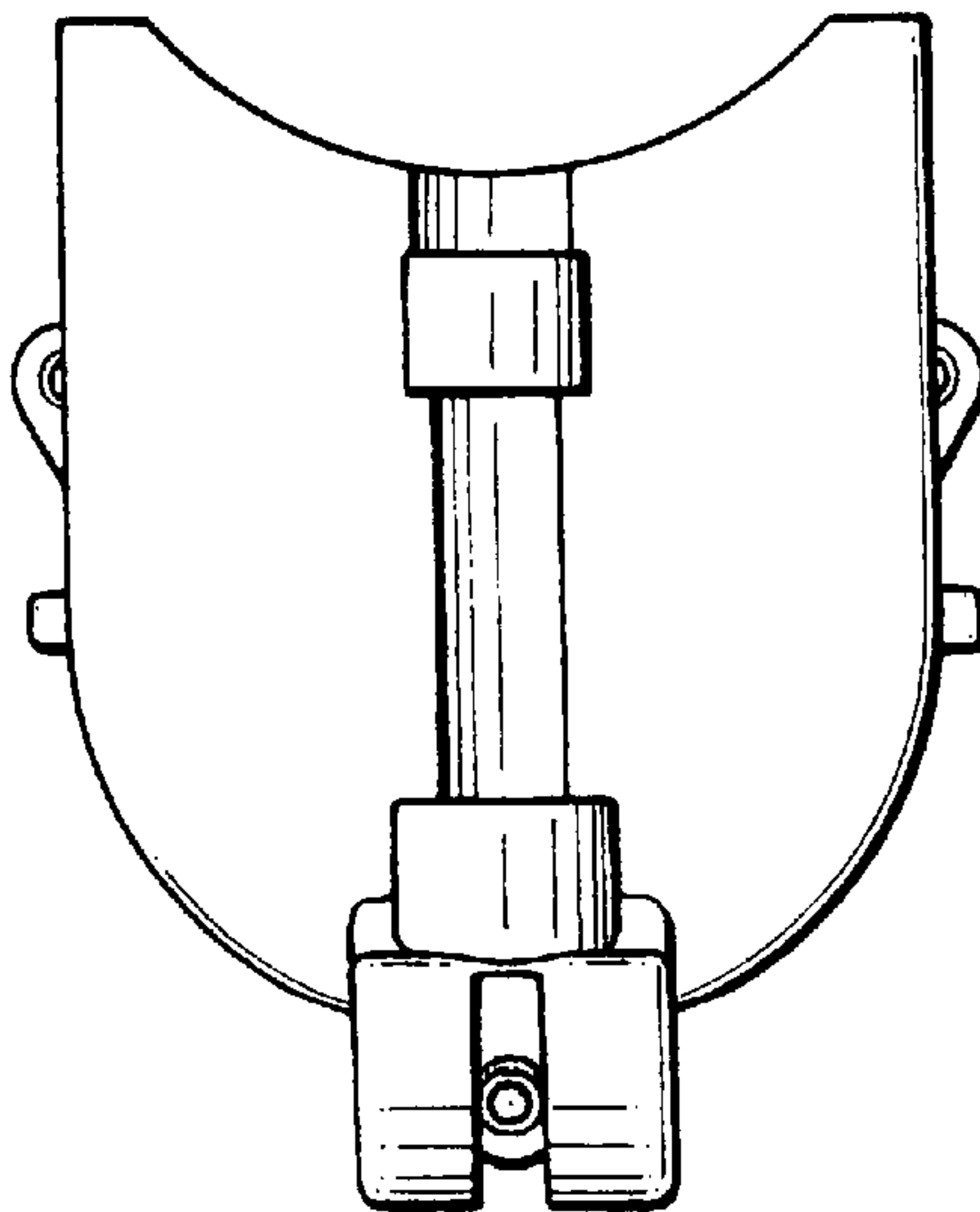


Fig.3

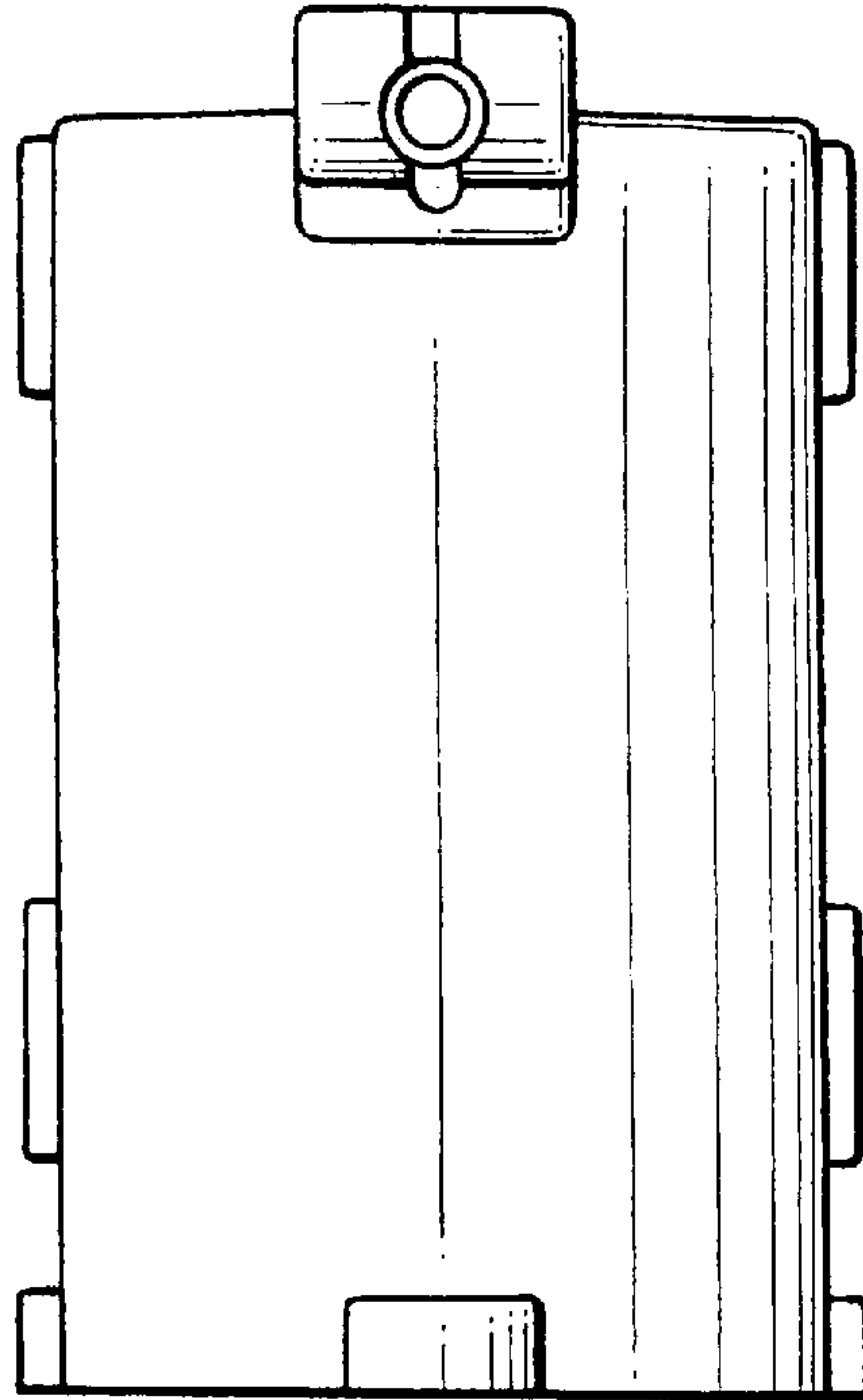


Fig.4

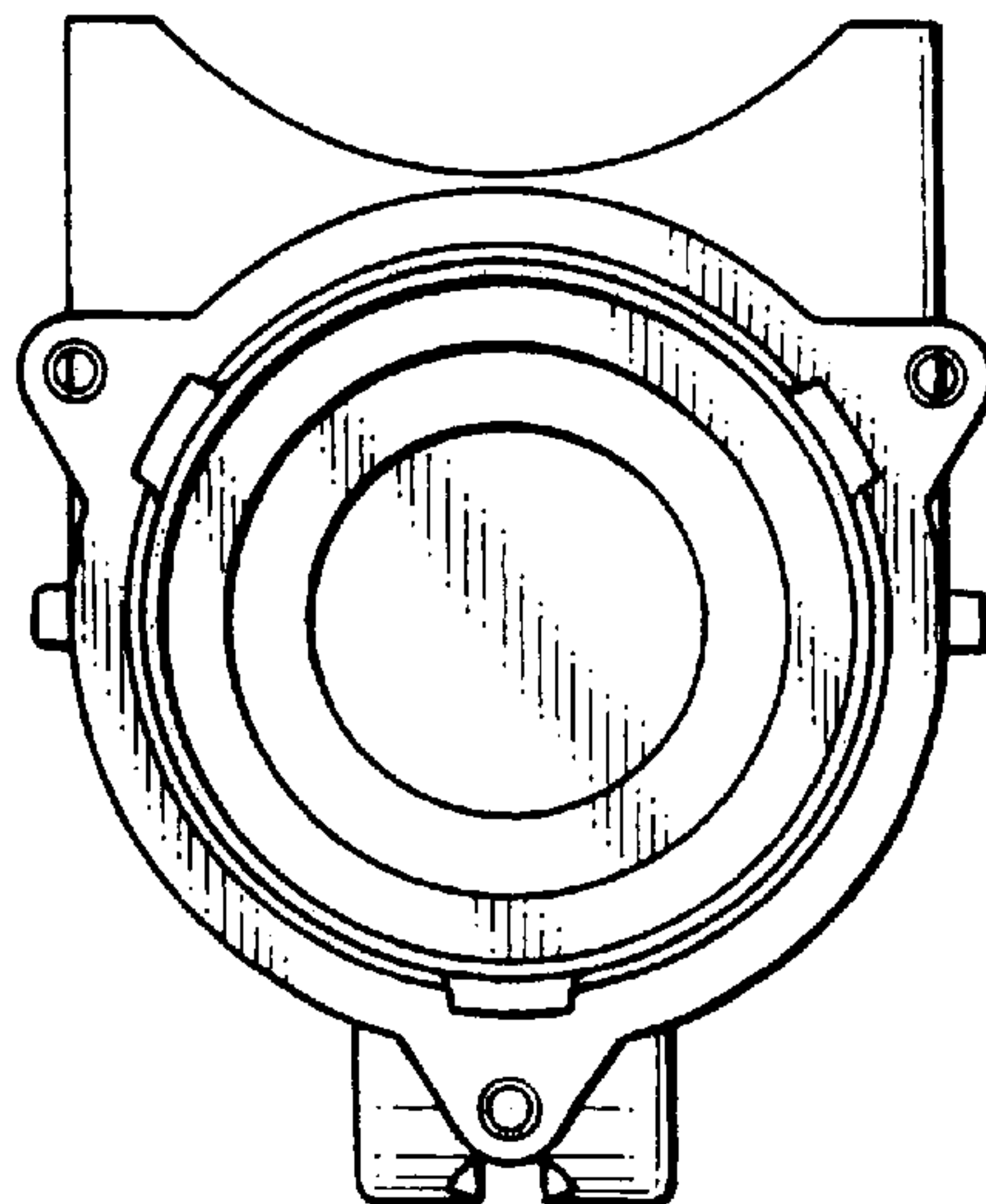


Fig.5

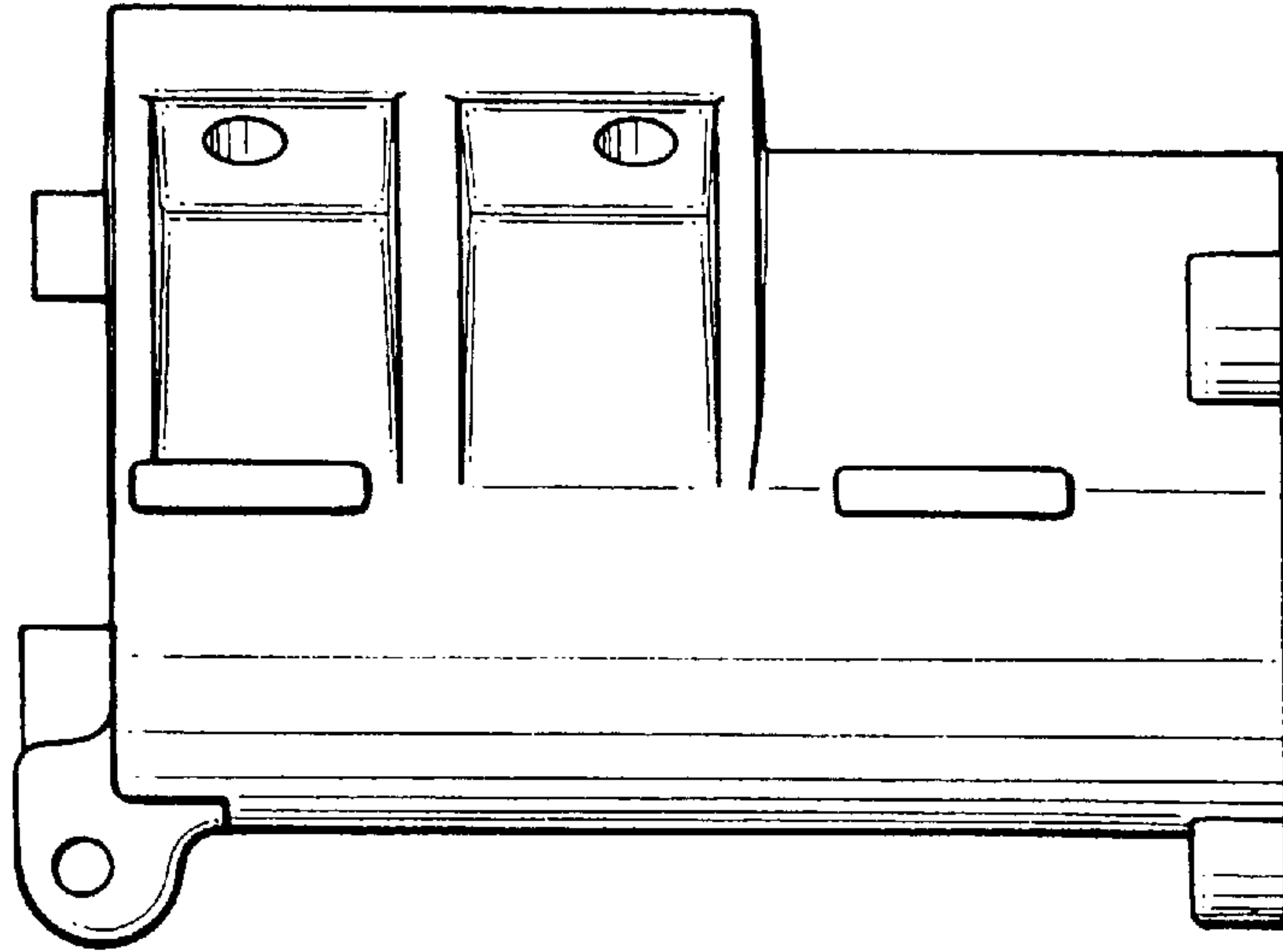


Fig.6

