



US00D481737S

(12) **United States Design Patent**  
**Sugiyama**

(10) **Patent No.:** **US D481,737 S**

(45) **Date of Patent:** **\*\* Nov. 4, 2003**

(54) **DIAPHRAGM PUMP WITH ENGINE**

(75) Inventor: **Kazuhiro Sugiyama**, Nagaokakyo (JP)

(73) Assignee: **Koshin, Ltd.** (JP)

(\*\*) Term: **14 Years**

(21) Appl. No.: **29/175,367**

(22) Filed: **Feb. 5, 2003**

(51) **LOC (7) Cl.** ..... **15-02**

(52) **U.S. Cl.** ..... **D15/7**

(58) **Field of Search** ..... D11/7-9; 417/415,  
417/419, 234, 229, 321, 410-411, 265,  
405, 393, 395, 344, 345, 401, 442, 536

(56) **References Cited**

**U.S. PATENT DOCUMENTS**

D223,039 S	*	2/1972	Widmor	.....	D15/7
D229,717 S	*	12/1973	Mixon	.....	D15/7
4,077,747 A	*	3/1978	Burenga	.....	417/234
D258,436 S	*	3/1981	McGilberry	.....	D15/7
D273,011 S	*	3/1984	Dudley	.....	D15/9
D391,579 S	*	3/1998	Myers	.....	D15/7
D398,614 S	*	9/1998	Kartinen	.....	D15/7
D405,805 S	*	2/1999	Rock	.....	D15/7
D423,518 S	*	4/2000	Milligan et al.	.....	D15/9

\* cited by examiner

*Primary Examiner*—Ralf Seifert

(74) *Attorney, Agent, or Firm*—Saidman DesignLaw Group

(57) **CLAIM**

The ornamental design for a diaphragm pump with engine, as shown and described.

**DESCRIPTION**

FIG. 1 is a front elevational view of a diaphragm pump with engine showing my new design;  
 FIG. 2 is a left side elevational view thereof;  
 FIG. 3 is a rear elevational view thereof;  
 FIG. 4 is a right side elevational view thereof;  
 FIG. 5 is a top plan view thereof;  
 FIG. 6 is a bottom plan view thereof;  
 FIG. 7 is a diagonal front perspective view seen from left side thereof;  
 FIG. 8 is a diagonal front perspective view seen from right side thereof;  
 FIG. 9 is a diagonal rear perspective view seen from right side thereof; and,  
 FIG. 10 is a diagonal rear perspective view seen from left side thereof.

**1 Claim, 10 Drawing Sheets**

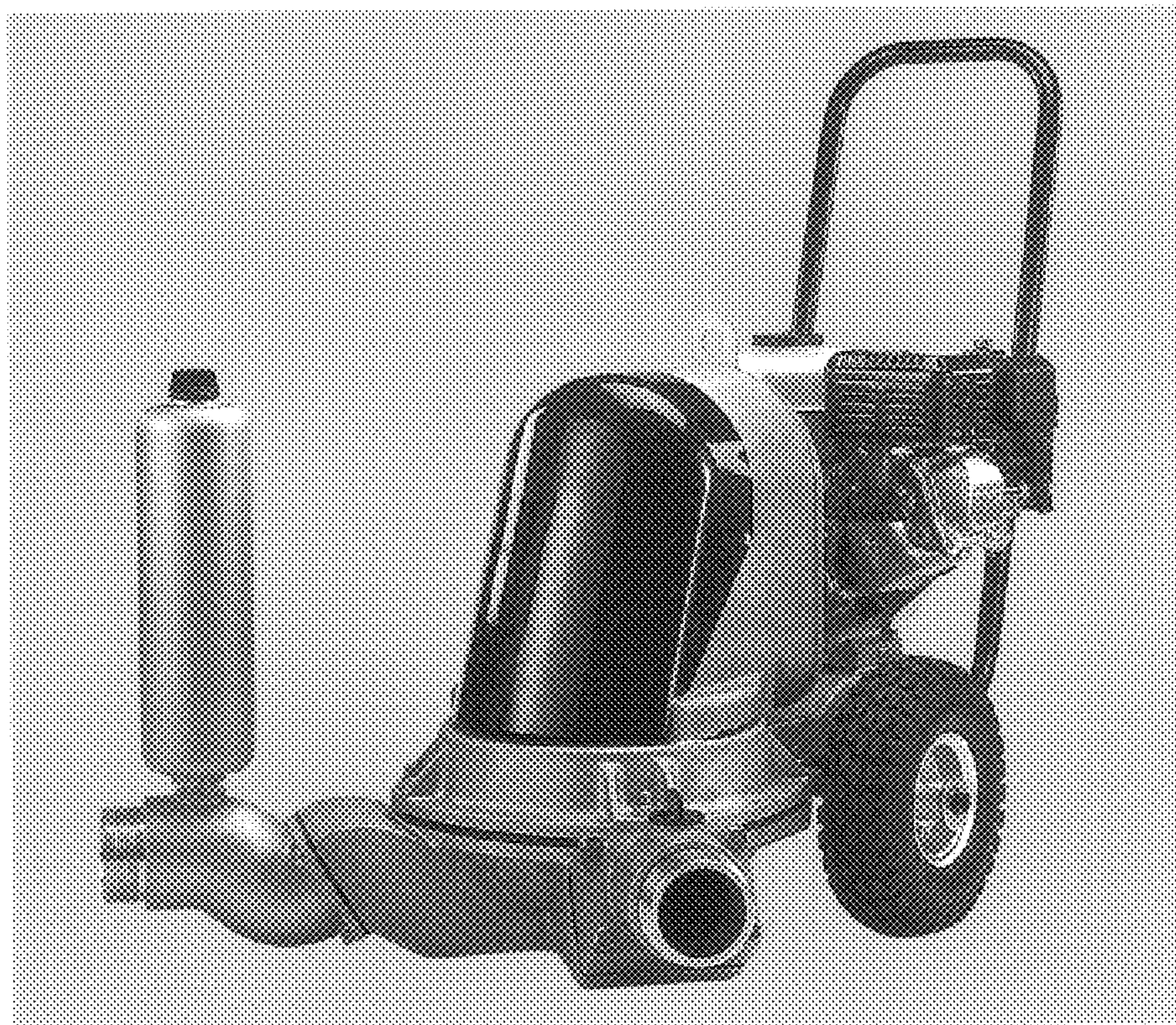




Fig.1

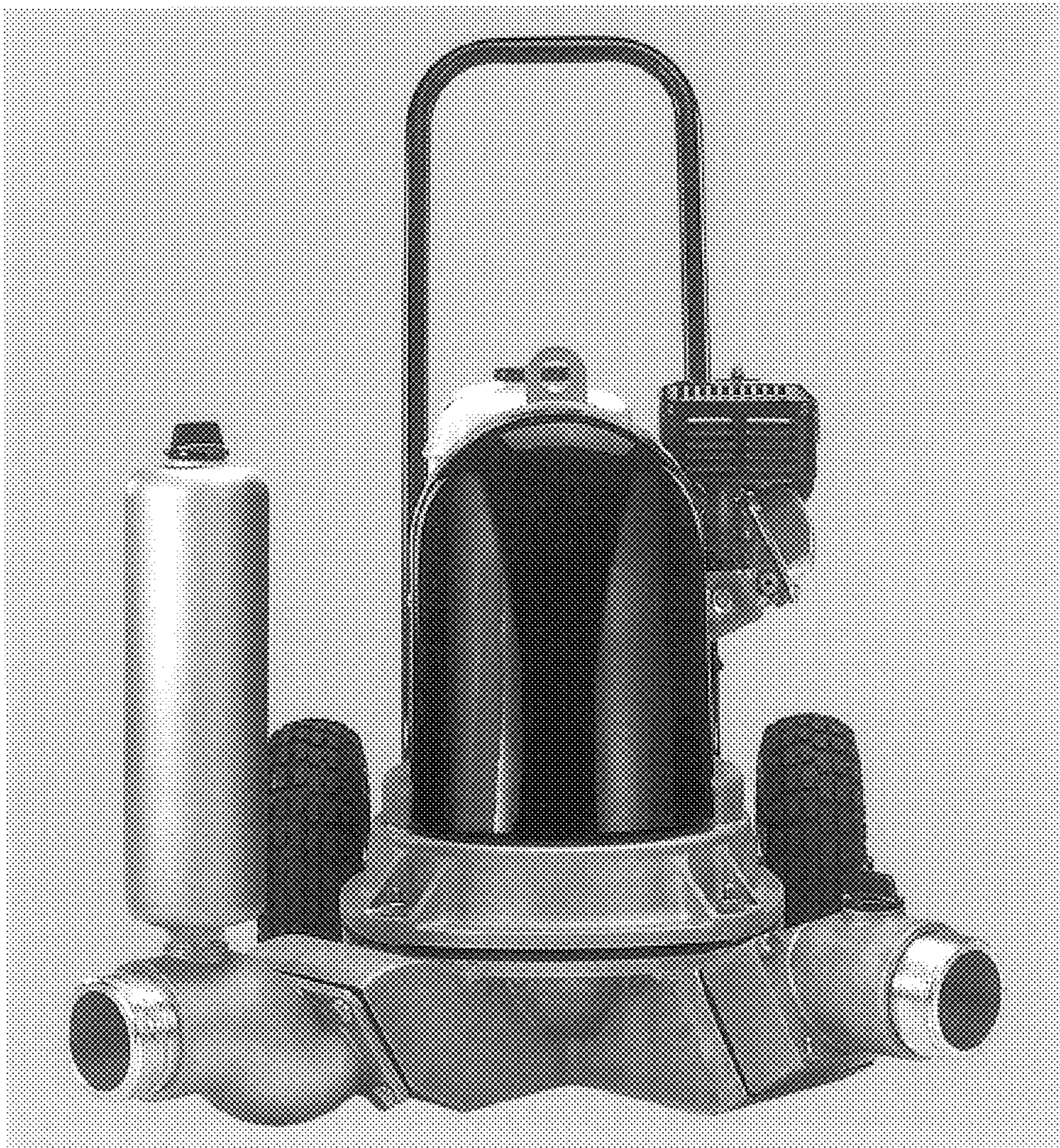




Fig.2

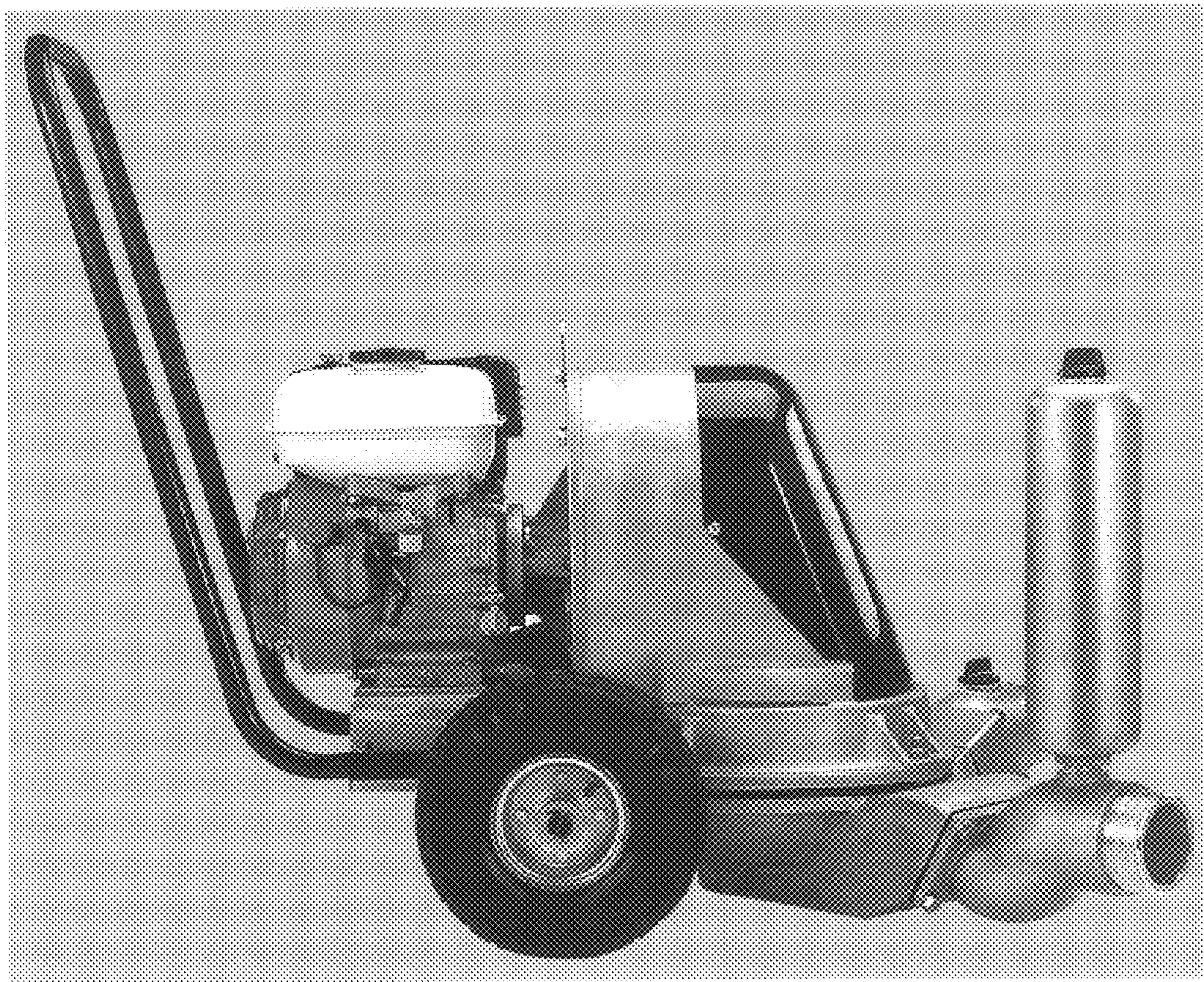




Fig. 3

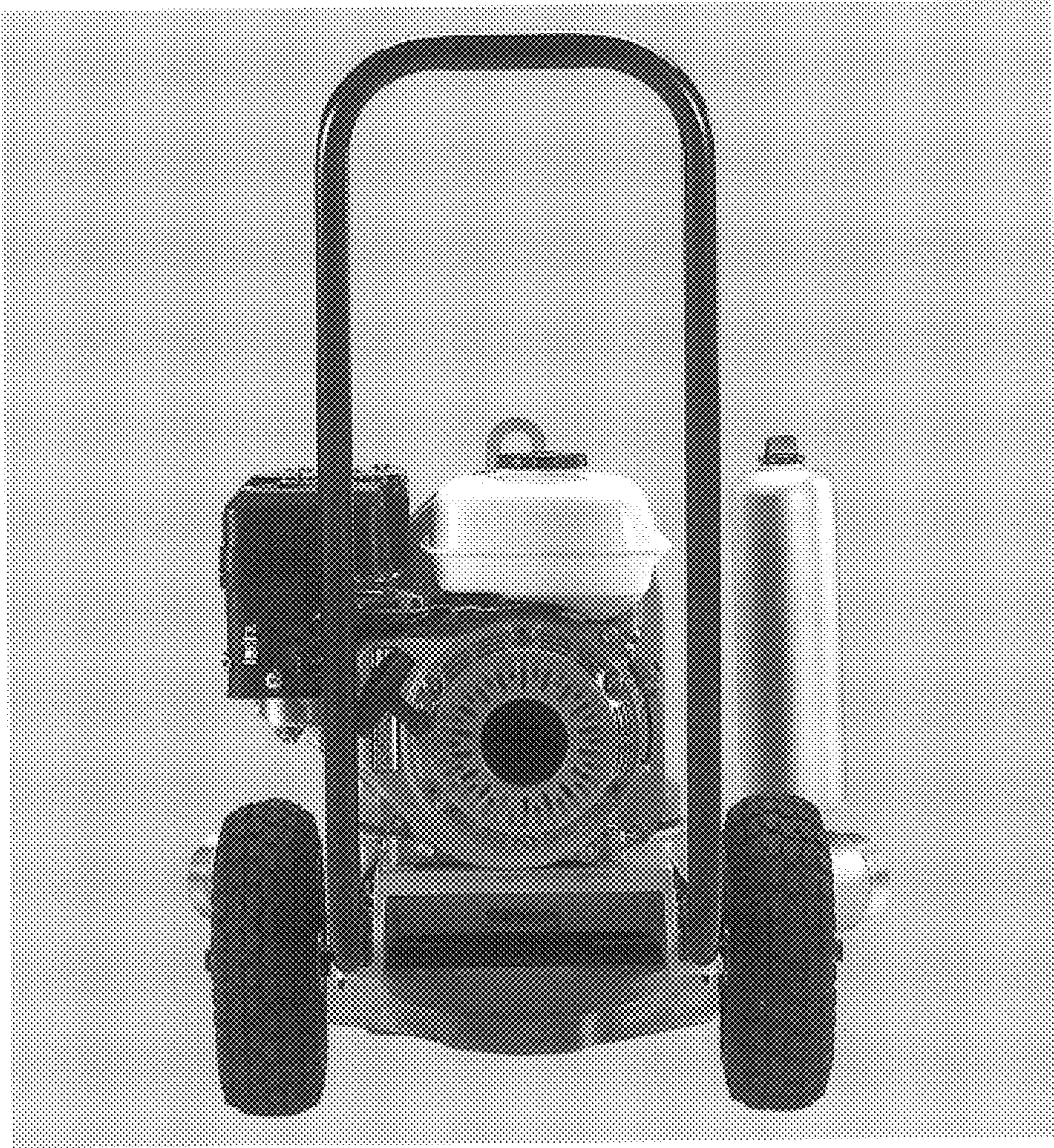




Fig.4

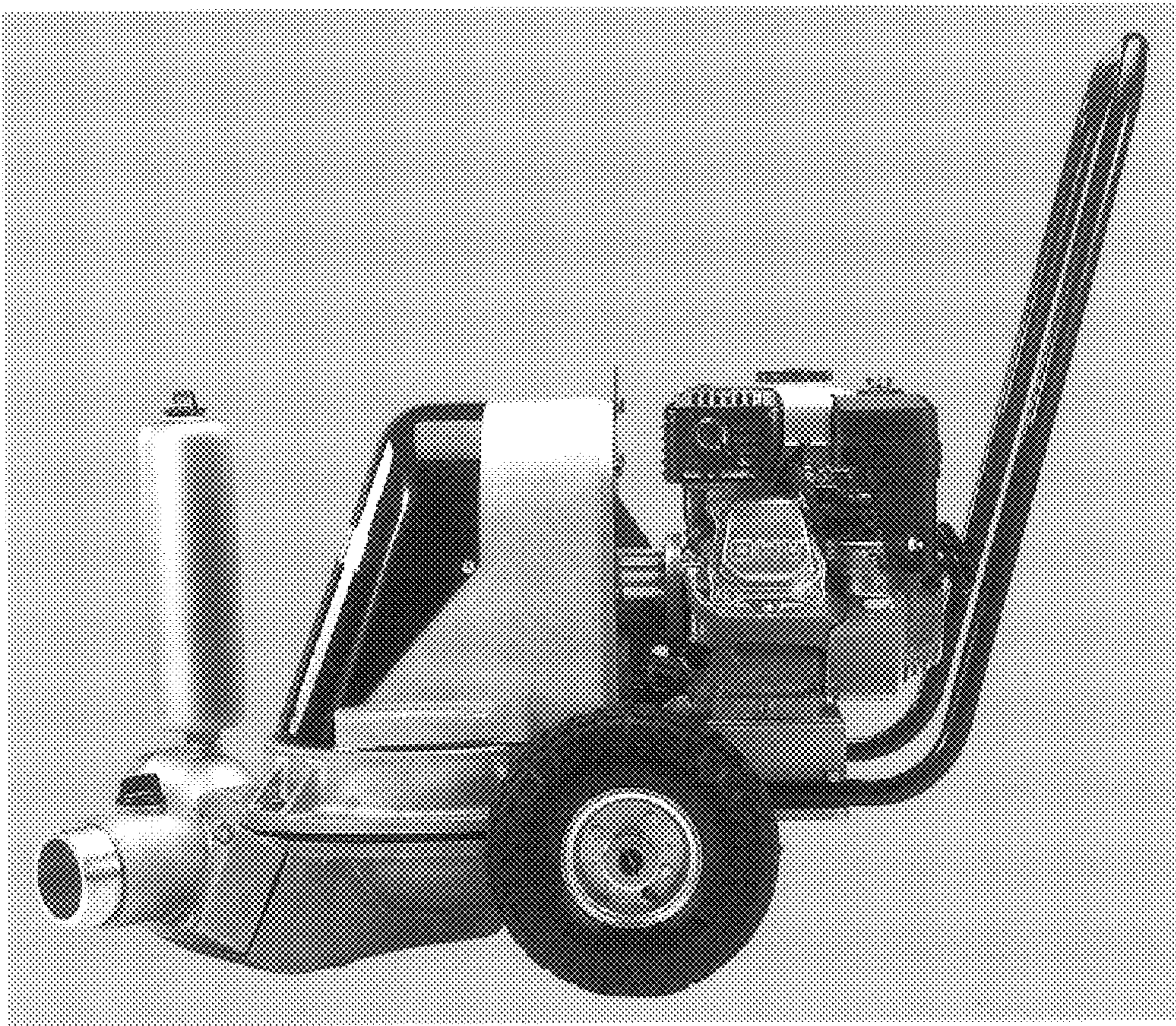




Fig.5

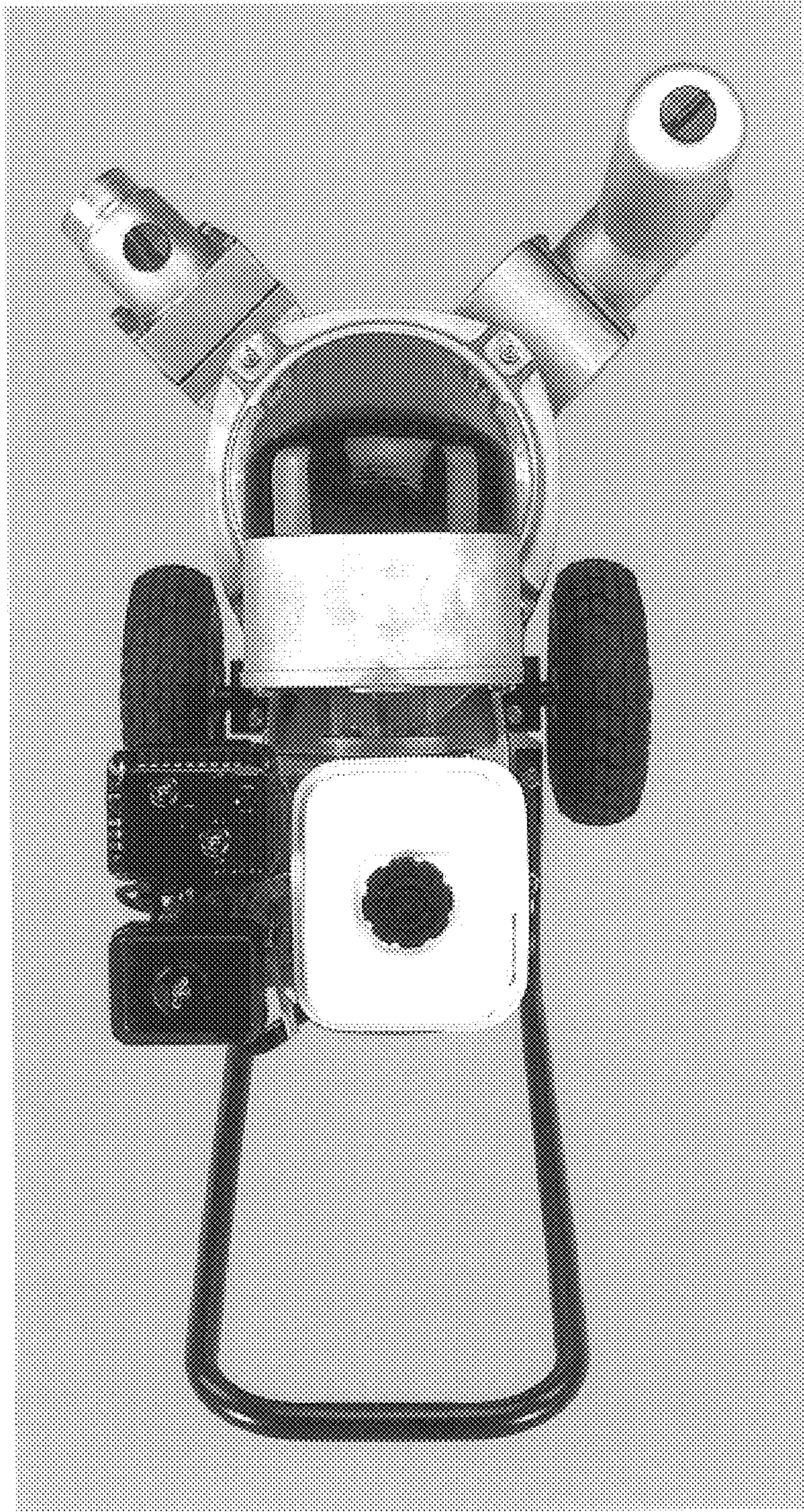




Fig.6

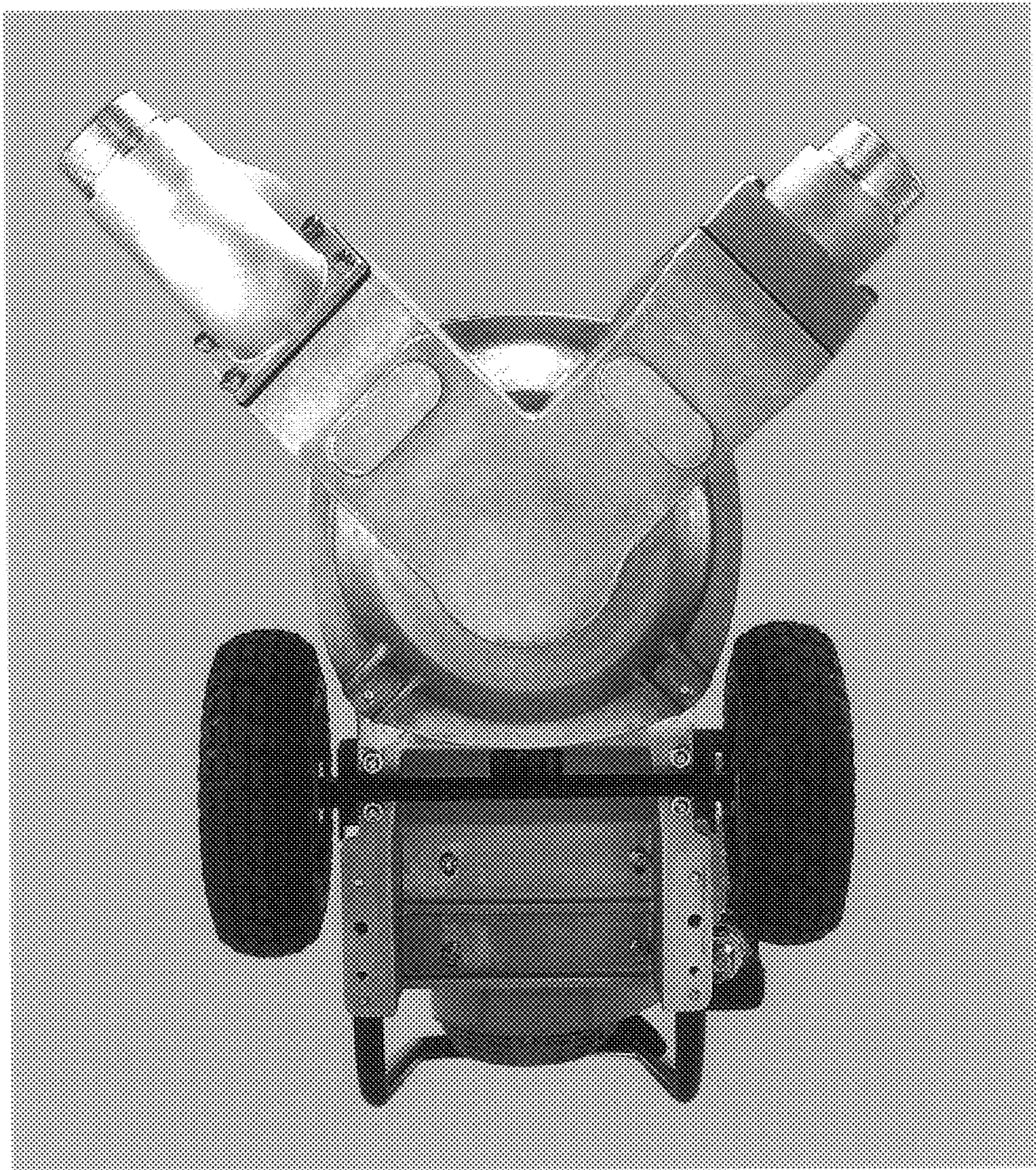




Fig.7

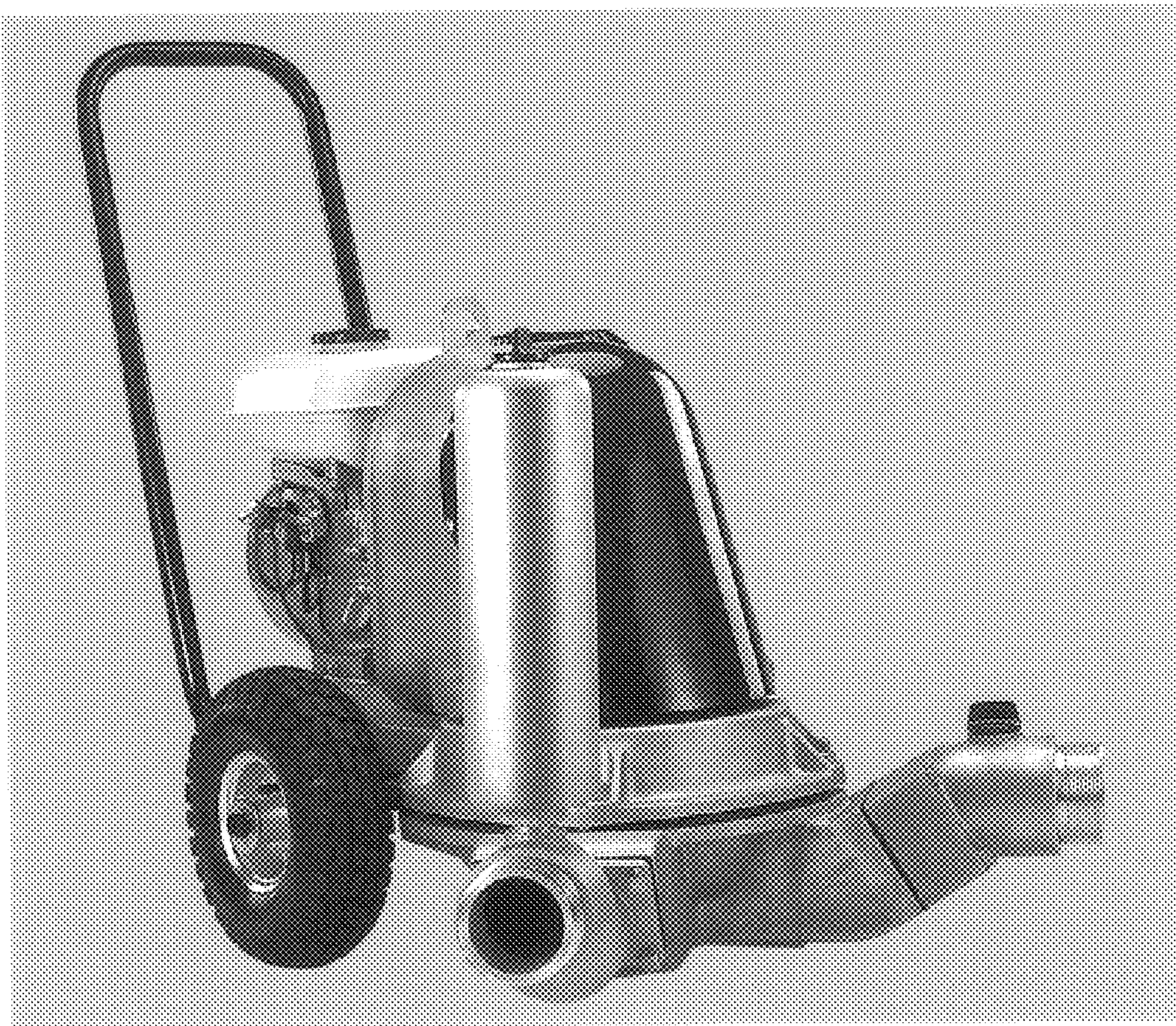




Fig.8





Fig.9

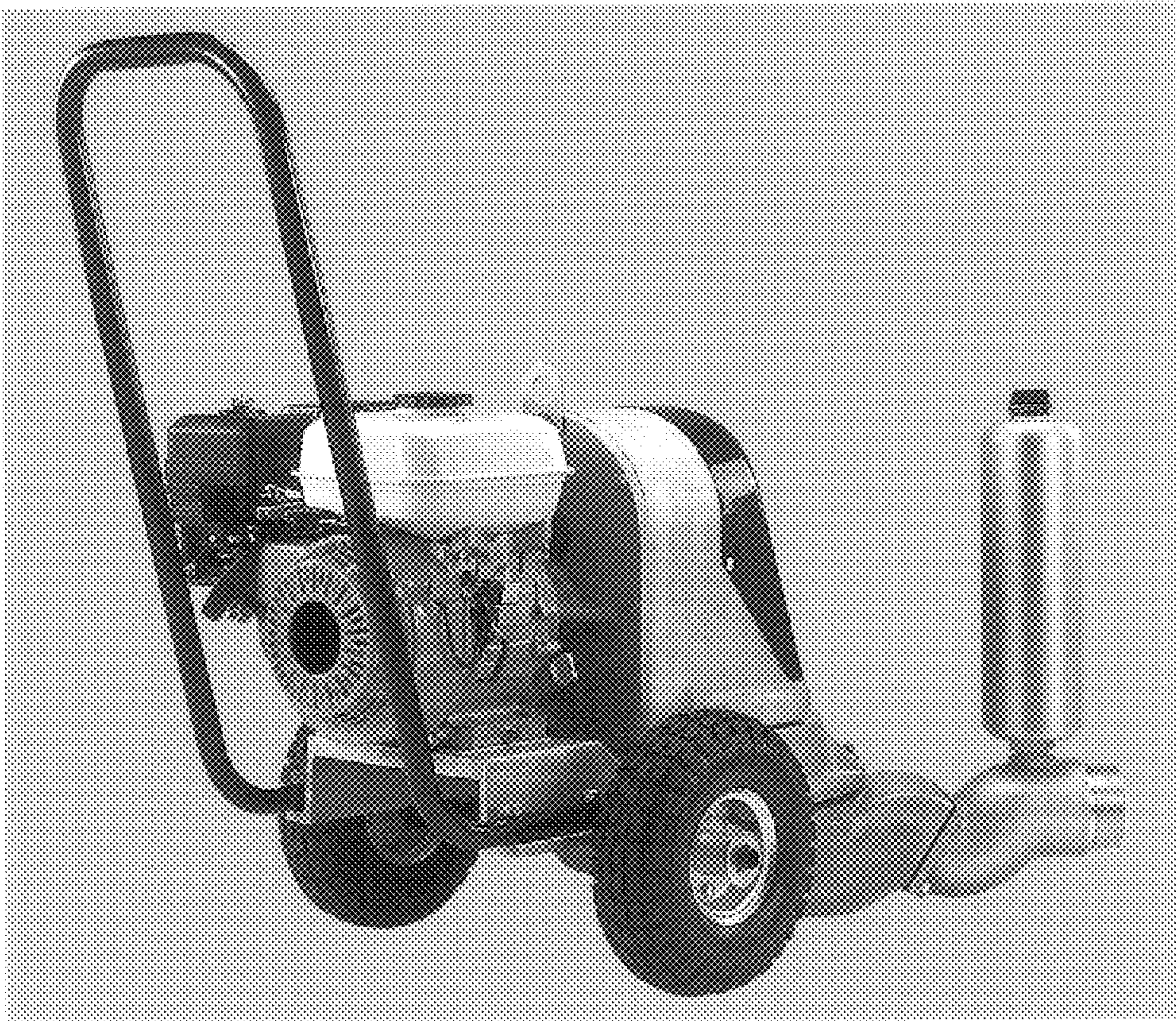




Fig.10

