



US00D481734S

(12) **United States Design Patent**
Goto

(10) **Patent No.: US D481,734 S**

(45) **Date of Patent: ** *Nov. 4, 2003**

(54) **SUPPORT BASE FOR AN ELECTRIC DEVICE SUCH AS A COMPUTER, TV CONTROLLER, VIDEO GAME MACHINE, OR AUDIO OR VIDEO DISC PLAYER**

D416,878 S * 11/1999 Yeh et al.

FOREIGN PATENT DOCUMENTS

JP 1035752 4/1999

OTHER PUBLICATIONS

“PlayStation2” Atari, FALCON 040 (1993), Oct. 1999, <http://www.iris.dti.ne.jp/~spe/game/ps2/ps2.htm>.

“InfoMac,” MACWORLD Expo Taiwan, Feb. 1996.

“The Third Wave,” p. 38, May 1998.

“Storage Plus,” p. 408, Computer Product, Jan. 1996.

* cited by examiner

Primary Examiner—M. H. Tung

(74) *Attorney, Agent, or Firm*—Rader, Fishman & Grauer PLLC

(75) Inventor: **Teiyu Goto**, Tokyo (JP)

(73) Assignee: **Sony Computer Entertainment Inc.**, Tokyo (JP)

(*) Notice: This patent is subject to a terminal disclaimer.

(**) Term: **14 Years**

(21) Appl. No.: **29/115,711**

(22) Filed: **Dec. 21, 1999**

(30) **Foreign Application Priority Data**

Aug. 26, 1999 (JP) 11-22657

(51) **LOC (7) Cl.** **14-02**

(52) **U.S. Cl.** **D14/447**

(58) **Field of Search** D14/447, 439–46, D14/217, 239, 299, 126; D21/324–33; D13/184, 199; D6/449, 491, 445, 396, 512; 248/125.1, 127, 133, 177.1, 178.1, 179.1, 183.1, 346.01, 346.02, 188.2, 917–24; 200/5 R, 5 A, 6 R, 6 A

(56) **References Cited**

U.S. PATENT DOCUMENTS

- D270,026 S * 8/1983 Whitford
- D287,365 S * 12/1986 Judd
- 4,856,659 A * 8/1989 Krebs
- D330,021 S * 10/1992 Kline et al.
- D330,705 S * 11/1992 Gowda et al.
- D338,882 S * 8/1993 Reiter
- D349,696 S * 8/1994 Hames
- D350,536 S 9/1994 McKnight et al. D14/114
- D361,561 S * 8/1995 Baudot
- D362,245 S * 9/1995 Moffatt
- D383,728 S 9/1997 Yurkonis et al. D14/100

(57) **CLAIM**

The ornamental design for a support base for an electric device such as a computer, TV controller, video game machine, or audio or video disc player, as shown and described.

DESCRIPTION

The file of this design patent contains at least one drawing executed in color. Copies of this design patent with color drawings will be provided by the Patent and Trademark Office upon request and payment of the necessary fee.

FIG. 1 is a perspective view of a supporting base for an electric device such as a computer, TV controller, video game machine, or audio or video disc player showing my new design, on a reduced scale;

FIG. 2 is a rear elevational view thereof;

FIG. 3 is a right side elevational view thereof;

FIG. 4 is a top plan view thereof;

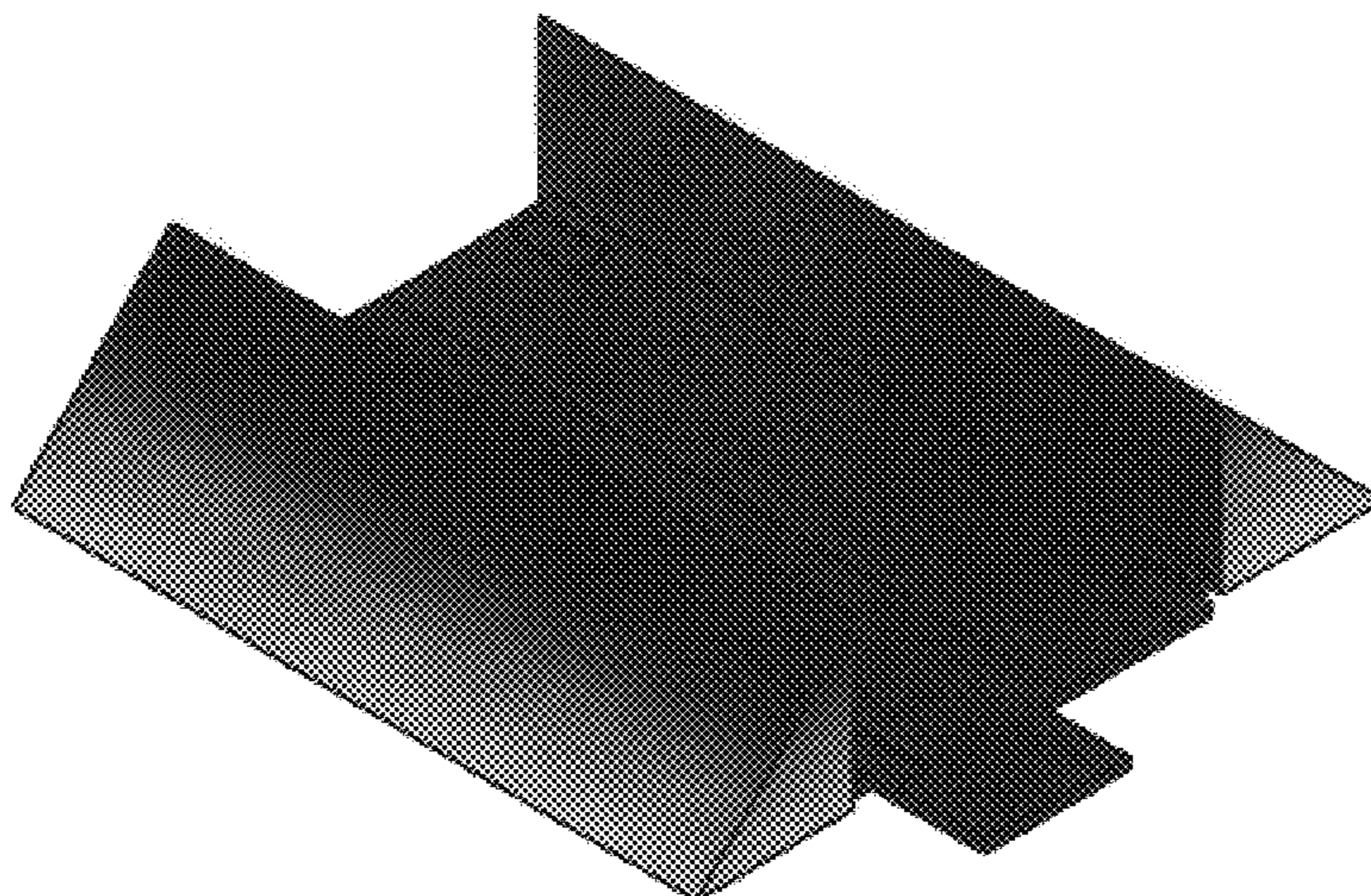
FIG. 5 is a bottom plan view thereof;

FIG. 6 is a front elevational view thereof; and,

FIG. 7 is a left side elevational view thereof.

1 Claim, 2 Drawing Sheets

(2 of 2 Drawing Sheet(s) Filed in Color)



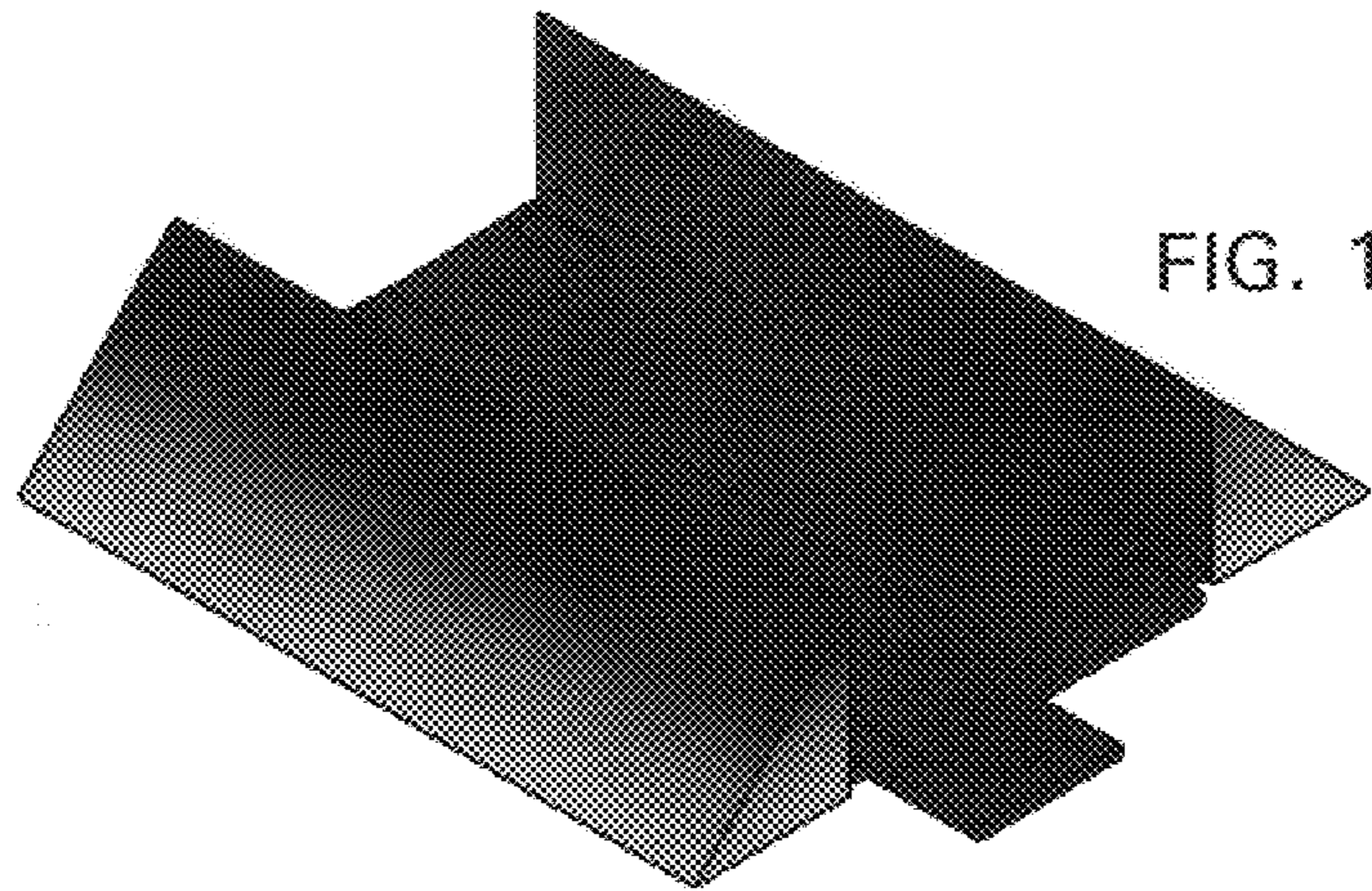


FIG. 1



FIG. 2

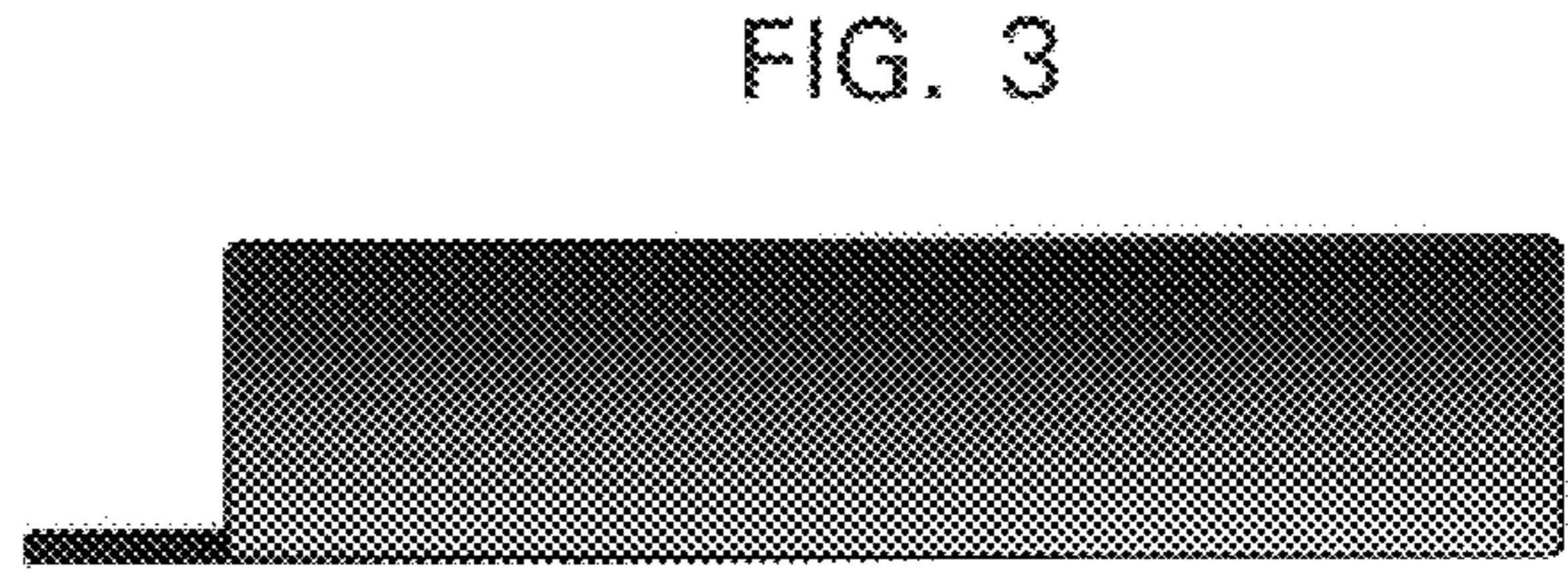


FIG. 3

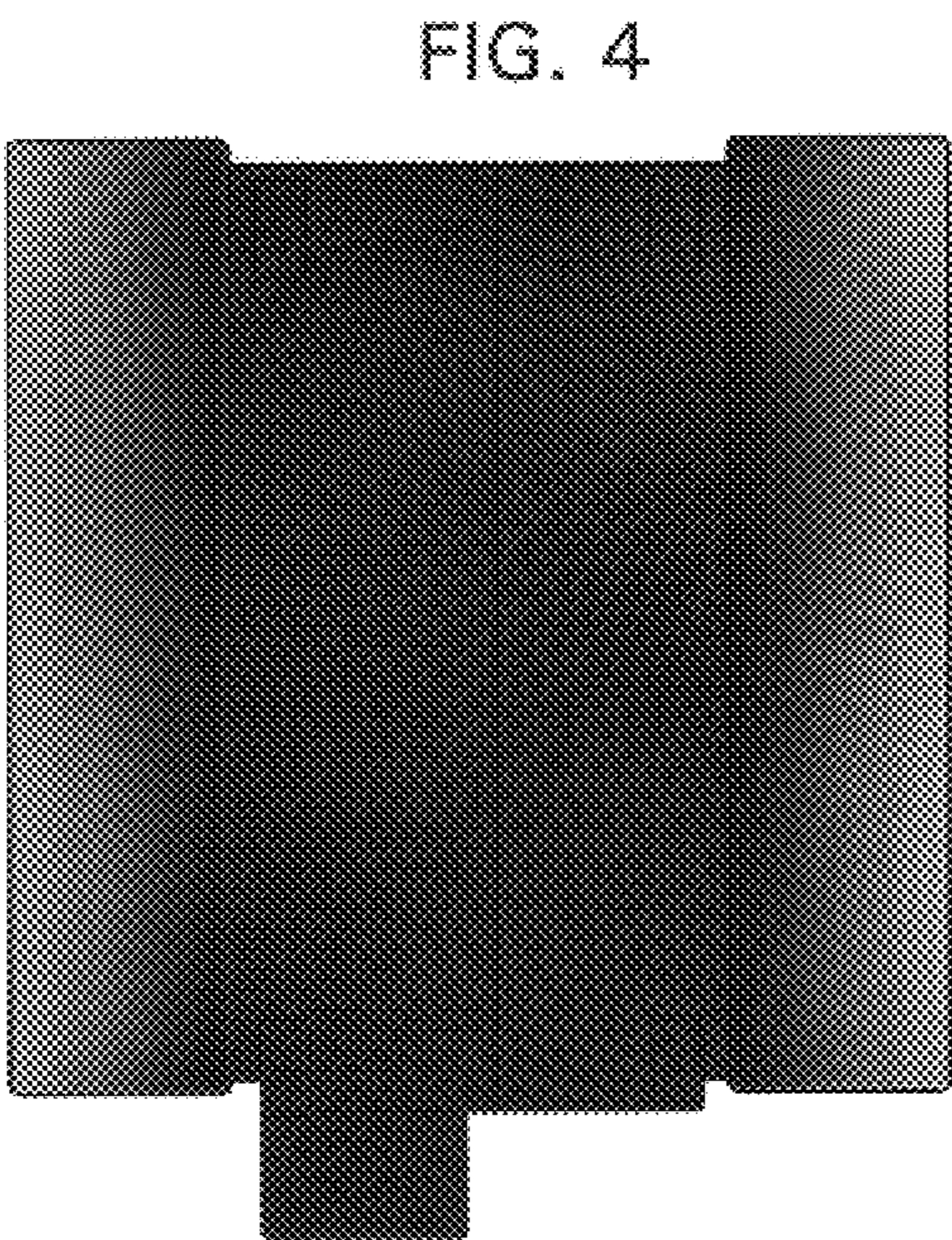


FIG. 4

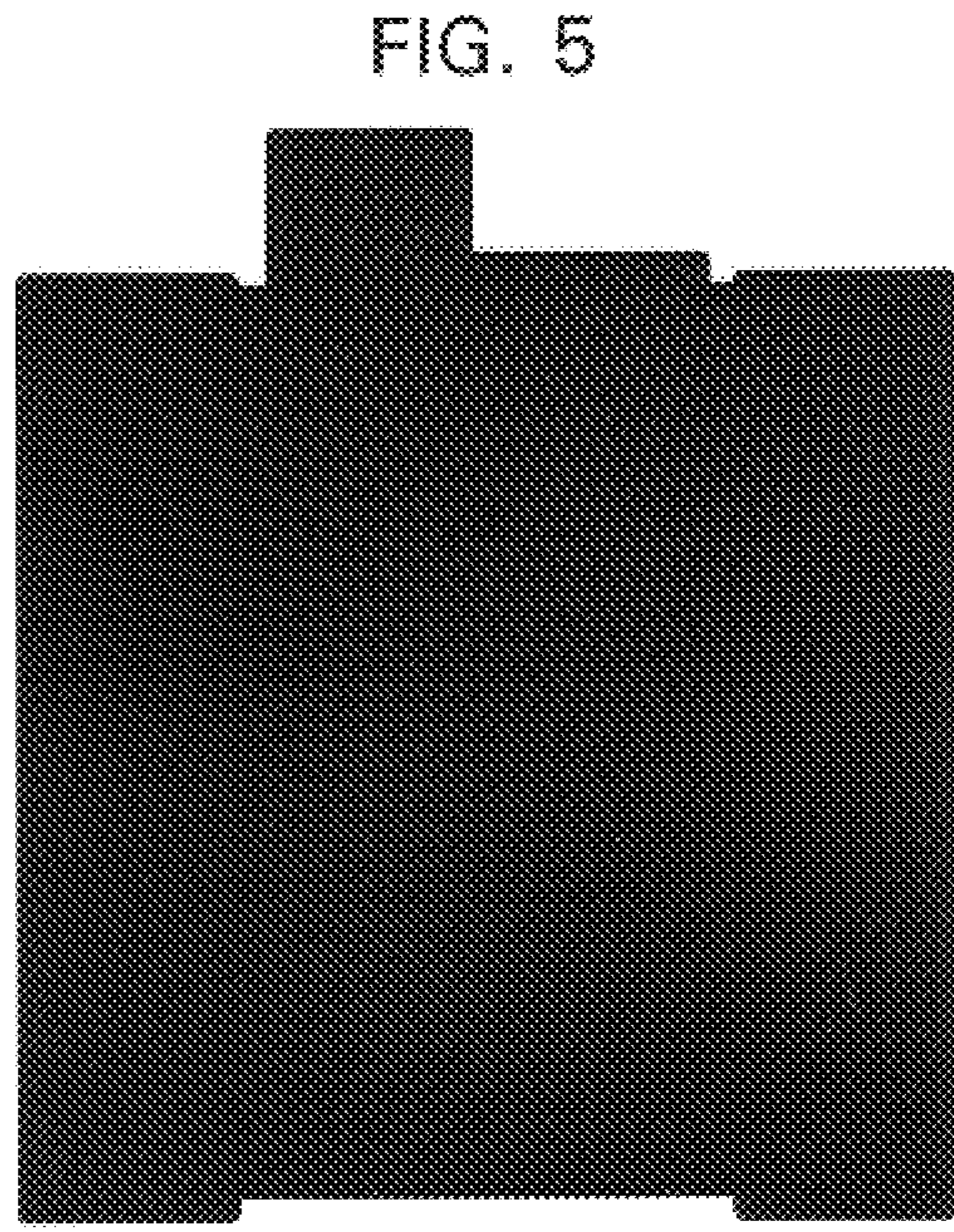


FIG. 5

FIG. 6



FIG. 7

