



US00D481725S

(12) **United States Design Patent**
Lin

(10) **Patent No.:** **US D481,725 S**

(45) **Date of Patent:** **** Nov. 4, 2003**

(54) **LIQUID CRYSTAL DISPLAY**

D445,109 S * 7/2001 Tracy D14/374
D470,844 S * 2/2003 Lin D14/375

(75) Inventor: **Roger Lin**, Taipei (TW)

* cited by examiner

(73) Assignee: **Hannspree, Inc.** (TW)

Primary Examiner—Freda Nunn

(**) Term: **14 Years**

(74) *Attorney, Agent, or Firm*—Merchant & Gould, LLC

(21) Appl. No.: **29/167,298**

(57) **CLAIM**

(22) Filed: **Sep. 11, 2002**

The ornamental design for a liquid crystal display, as shown and described.

(51) **LOC (7) Cl.** **14-02**

DESCRIPTION

(52) **U.S. Cl.** **D14/375**

(58) **Field of Search** D14/371, 374,
D14/375, 125-129; 345/104, 156, 168,
173, 901-905; 348/180, 184, 325, 739;
248/918-924; 341/12; 349/1, 2, 11, 62

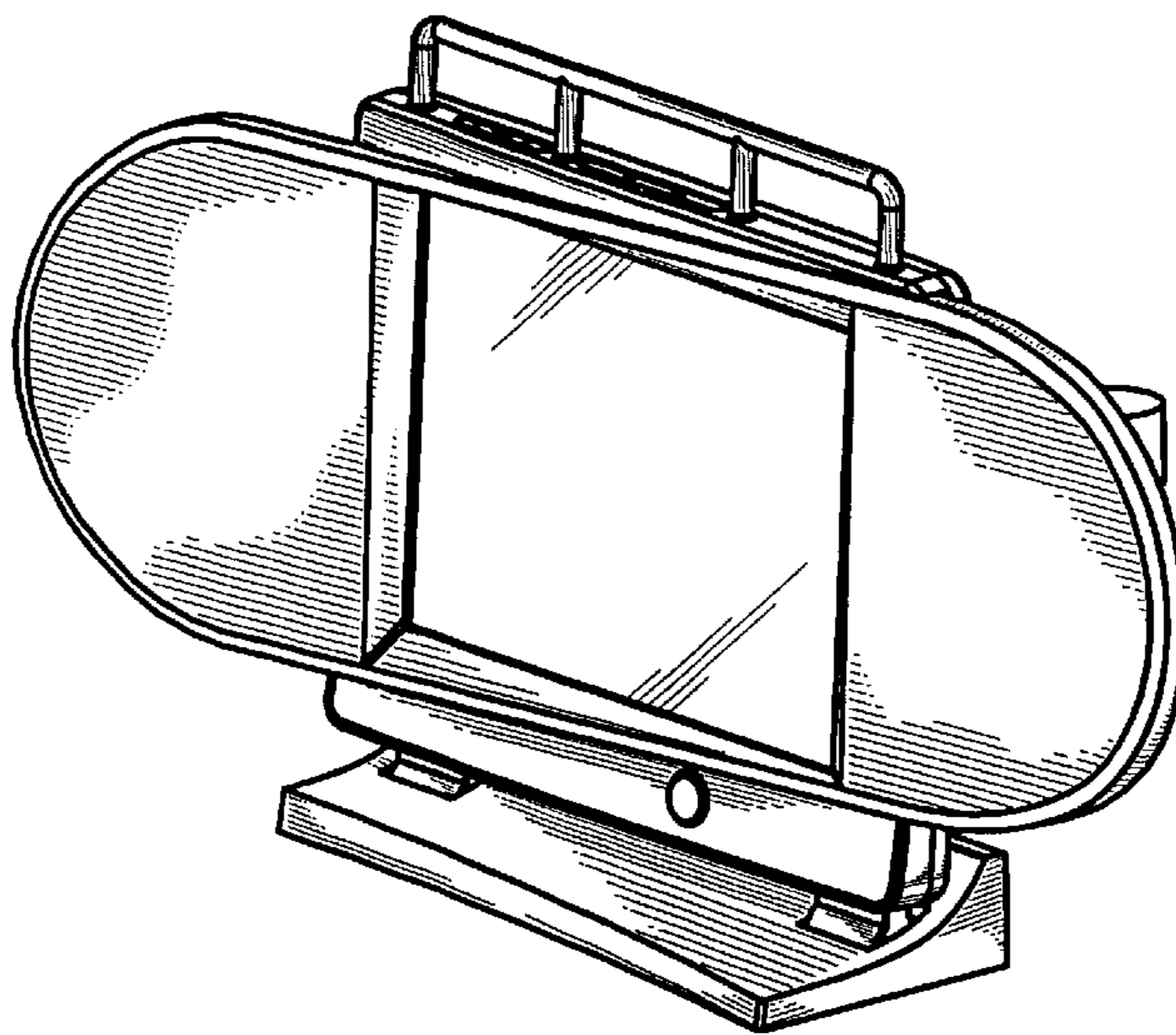
FIG. 1 is a front perspective view thereof;
FIG. 2 is a right side elevational view thereof;
FIG. 3 is a top plane view thereof;
FIG. 4 is a front elevational view thereof;
FIG. 5 is a bottom plane view thereof;
FIG. 6 is a left side elevational view thereof; and,
FIG. 7 is a rear elevational view thereof.

(56) **References Cited**

U.S. PATENT DOCUMENTS

D417,659 S * 12/1999 Takemasa D14/374
D431,537 S * 10/2000 Saeki et al. D14/126

1 Claim, 7 Drawing Sheets



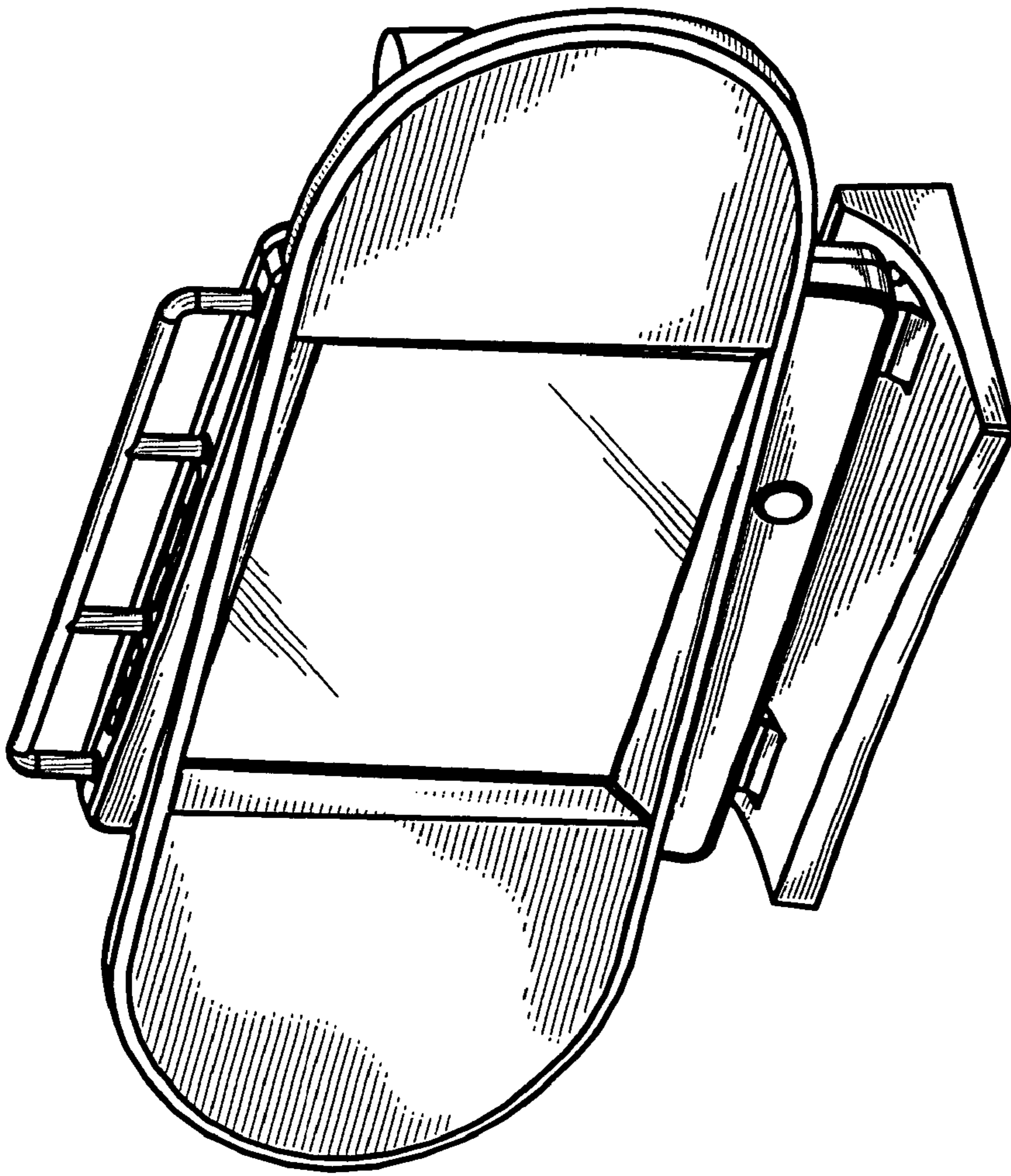


Fig. 1

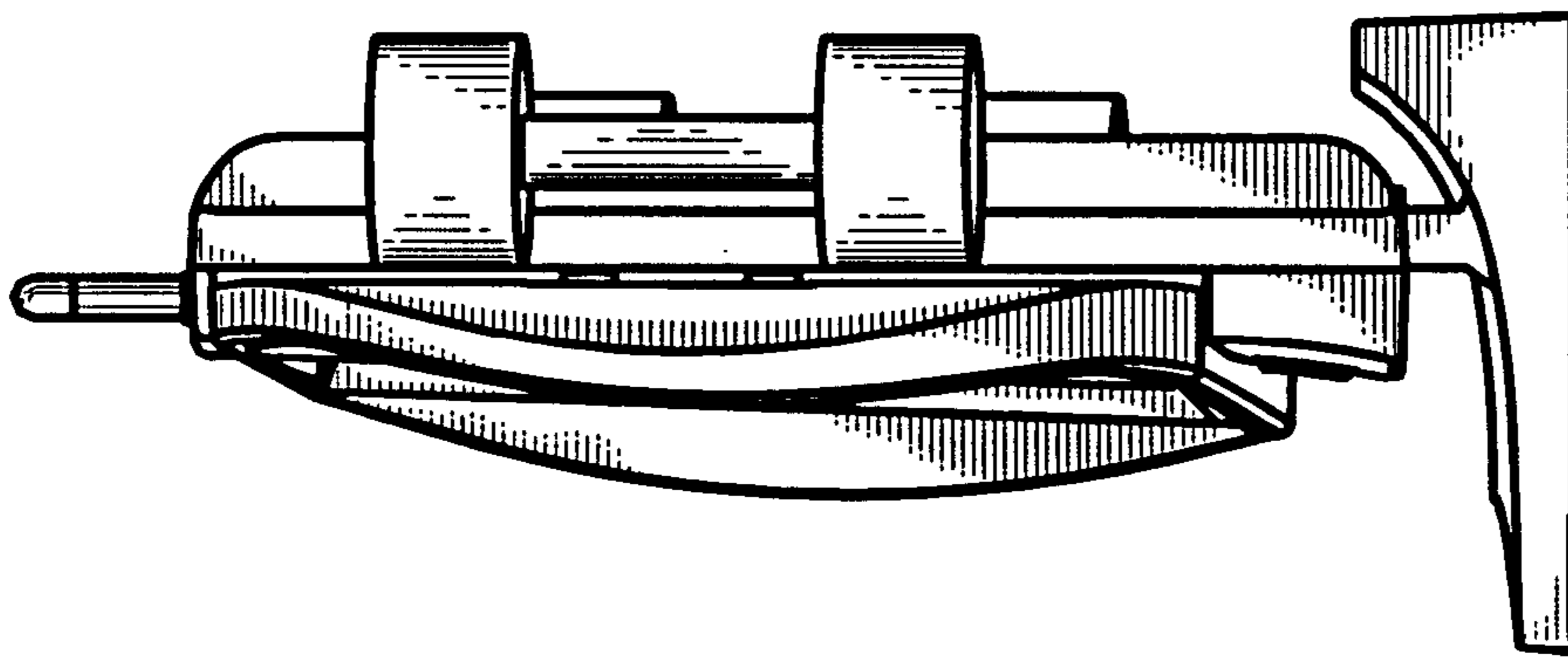


Fig. 2

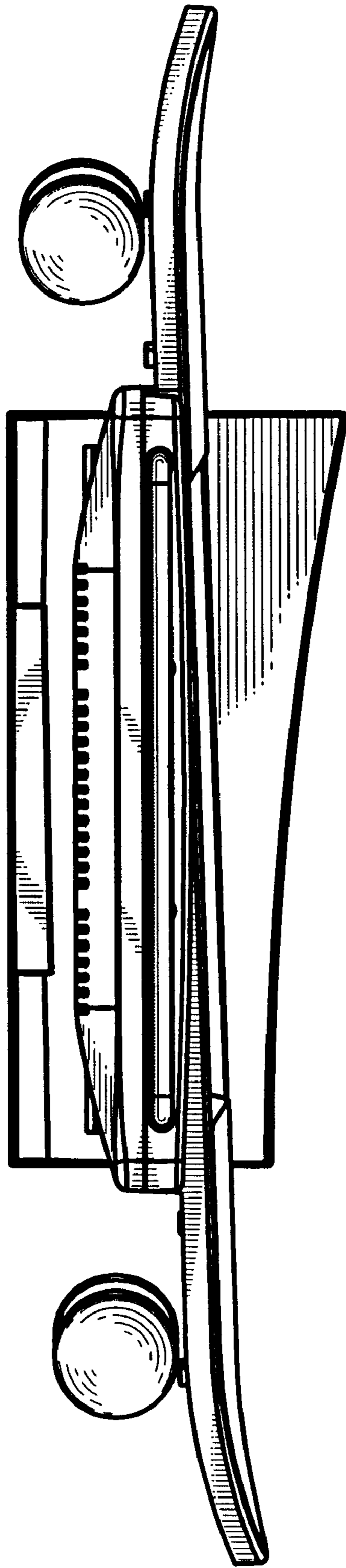


Fig. 3

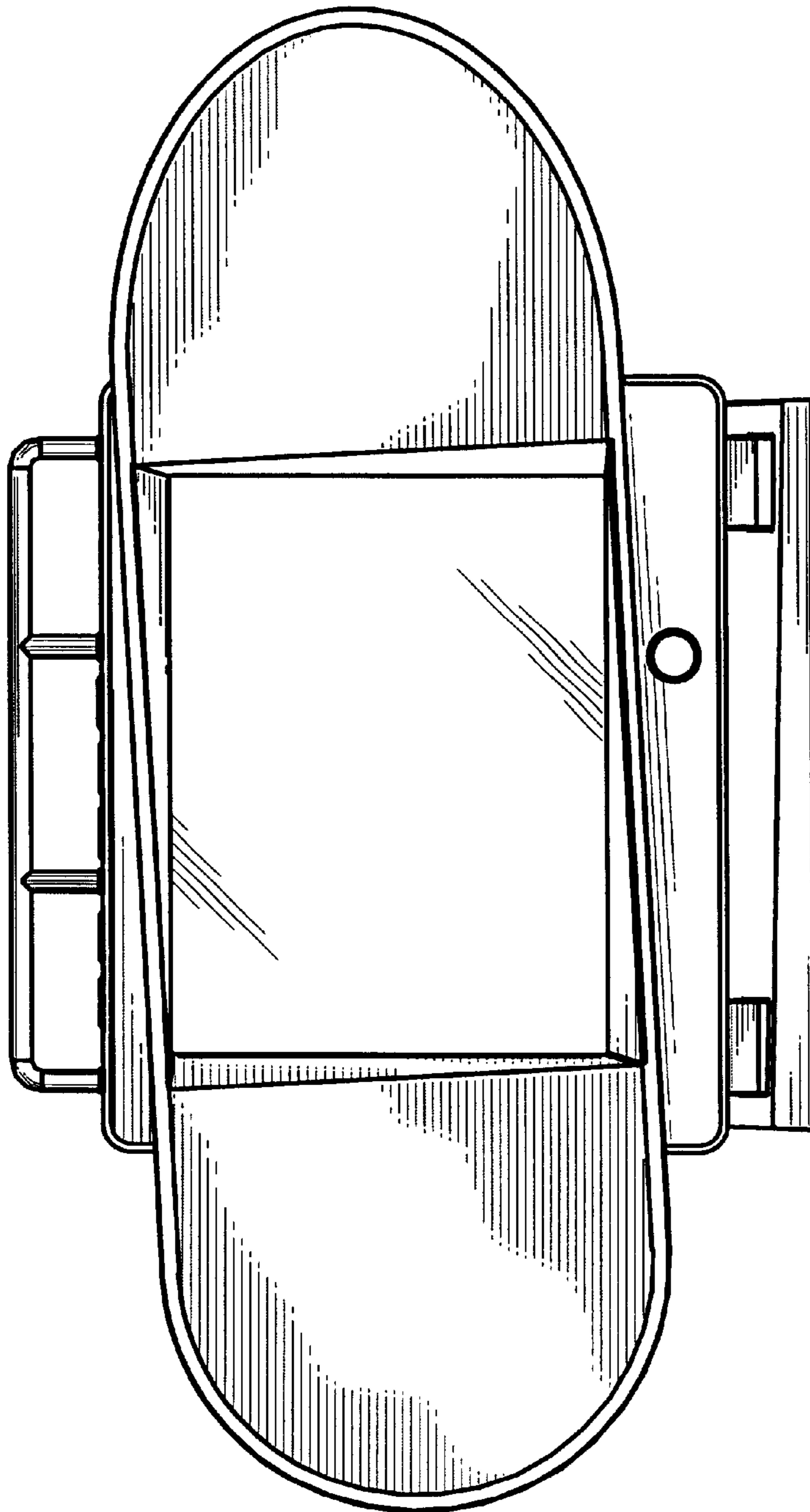


Fig. 4

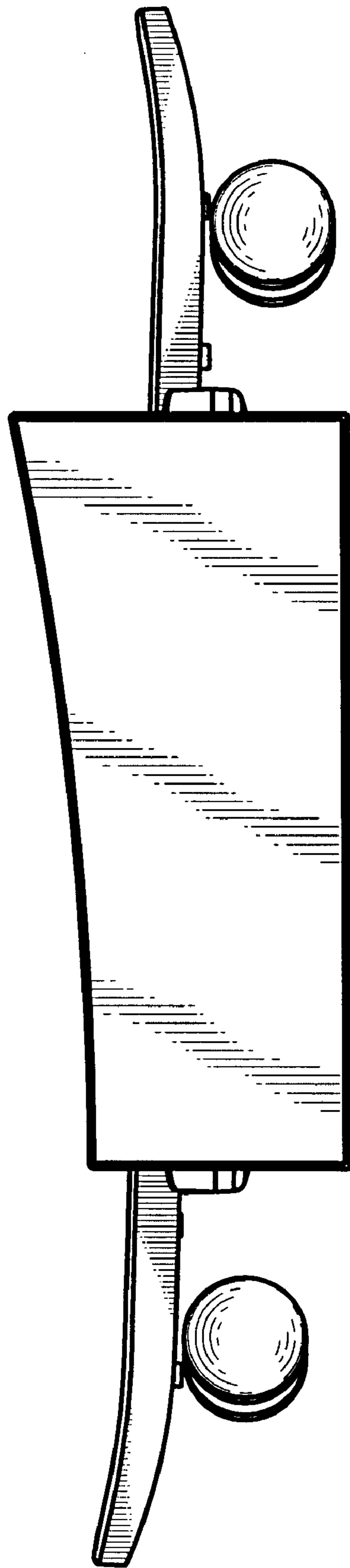


Fig. 5

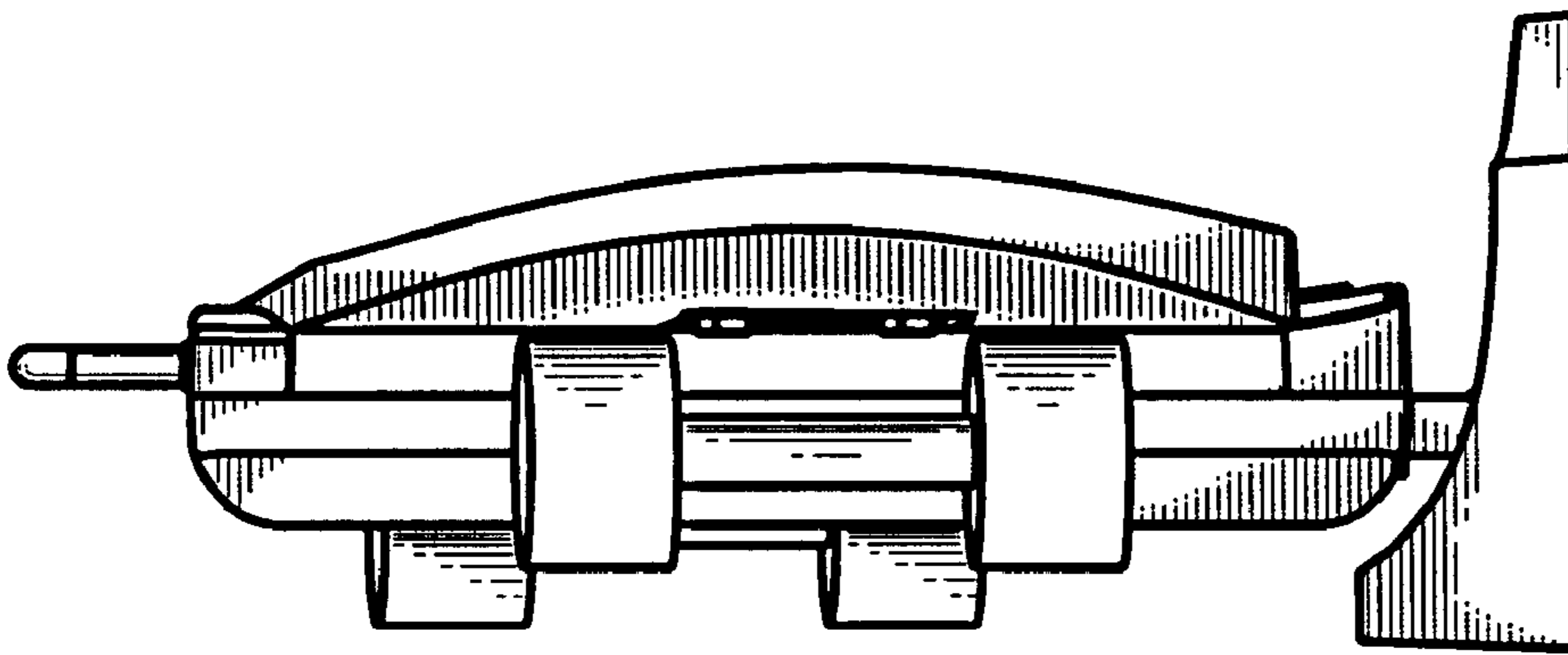


Fig. 6

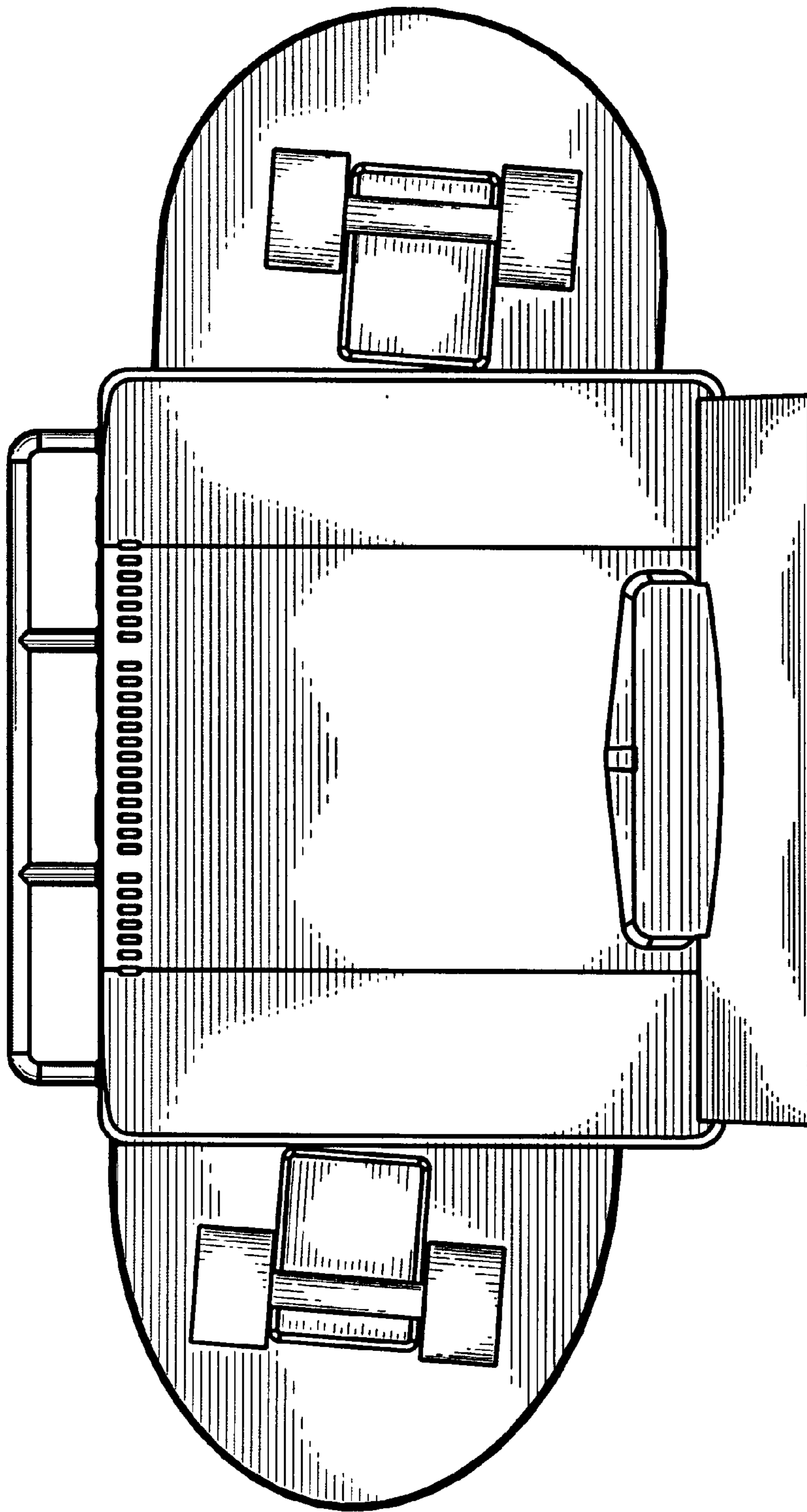


Fig. 7