



US00D481710S

(12) **United States Design Patent**  
**Helin**

(10) **Patent No.:** **US D481,710 S**

(45) **Date of Patent:** **\*\* Nov. 4, 2003**

(54) **KEY ARRANGEMENT FOR A HANDSET**

(75) Inventor: **Totti Helin**, Helsinki (FI)

(73) Assignee: **Nokia Corporation**, Espoo (FI)

(\*\*) Term: **14 Years**

(21) Appl. No.: **29/157,191**

(22) Filed: **Mar. 15, 2002**

(30) **Foreign Application Priority Data**

Sep. 17, 2001 (GB) ..... 2104825

(51) **LOC (7) Cl.** ..... **14-03**

(52) **U.S. Cl.** ..... **D14/247; D14/455**

(58) **Field of Search** ..... D14/137, 240,  
D14/138, 218, 217, 147-148, 249, 247-248,  
441, 144, 191, 454-456, 341-347, 338-340;  
379/433.01-433.13, 419, 434, 428.01-428.04,  
420.01-420.04, 440, 364, 368-370; 455/550-575,  
90; D21/517, 329, 331, 333; D13/103,  
119, 168, 171, 174; 345/168, 169; D18/2,  
7, 12.2, 12.3

D378,514 S	3/1997	Kruse	
D379,971 S	6/1997	Jones et al.	
5,644,338 A *	7/1997	Bowen .....	345/168
D382,545 S	8/1997	Imai et al.	
D382,914 S *	8/1997	Ho et al. ....	D21/331
D386,497 S *	11/1997	Huslig et al. ....	D14/191
D389,838 S *	1/1998	Brunner et al. ....	D14/218
5,719,936 A *	2/1998	Hillenmayer .....	379/447
D392,968 S *	3/1998	Johansson .....	D14/144
D393,629 S *	4/1998	Tsui .....	D13/168
D393,834 S	4/1998	Margalit et al.	
D395,250 S *	6/1998	Kabler et al. ....	D10/65
D398,307 S	9/1998	Collins	
D401,914 S	12/1998	Kamegi	
D402,664 S *	12/1998	Phillips et al. ....	D14/247
D410,633 S *	6/1999	Tsui .....	D13/168
D412,017 S *	7/1999	Sramek et al. ....	D21/329
D413,597 S	9/1999	Oba	
D414,522 S *	9/1999	Kitamori .....	D21/329
D416,253 S	11/1999	Hibino	
D416,255 S	11/1999	Johansson et al.	
D416,256 S	11/1999	Griffin et al.	
D416,560 S *	11/1999	Tonino .....	D14/218
D416,910 S *	11/1999	Vasquez .....	D14/218
D417,657 S	12/1999	Matsumoto	

(List continued on next page.)

(56) **References Cited**

**U.S. PATENT DOCUMENTS**

D293,241 S	12/1987	Wan et al.	
D298,623 S	11/1988	Yubisui et al.	
D299,464 S	1/1989	Shiozawa et al.	
D301,882 S *	6/1989	Watanabe .....	D14/140
D302,265 S	7/1989	Siegner et al.	
4,969,647 A *	11/1990	Mical et al. ....	463/31
D320,624 S *	10/1991	Taylor .....	D21/331
5,161,803 A *	11/1992	Ohara .....	463/44
D332,804 S *	1/1993	Li .....	D21/331
5,189,632 A *	2/1993	Paajanen et al. ....	708/109
D337,764 S	7/1993	Paton et al.	
D338,045 S *	8/1993	Rosen .....	D14/400
D347,856 S *	6/1994	Marfori et al. ....	D19/60
D348,877 S *	7/1994	Lichtenberg .....	D14/115
D367,043 S *	2/1996	Ross et al. ....	D14/346
D373,137 S *	8/1996	Nakada .....	D17/24
D377,166 S	1/1997	Jones et al.	
D377,341 S	1/1997	Imai et al.	

**FOREIGN PATENT DOCUMENTS**

AU 143671 4/2001

*Primary Examiner*—Jeffrey Asch

(74) *Attorney, Agent, or Firm*—Banner & Witcoff, Ltd.

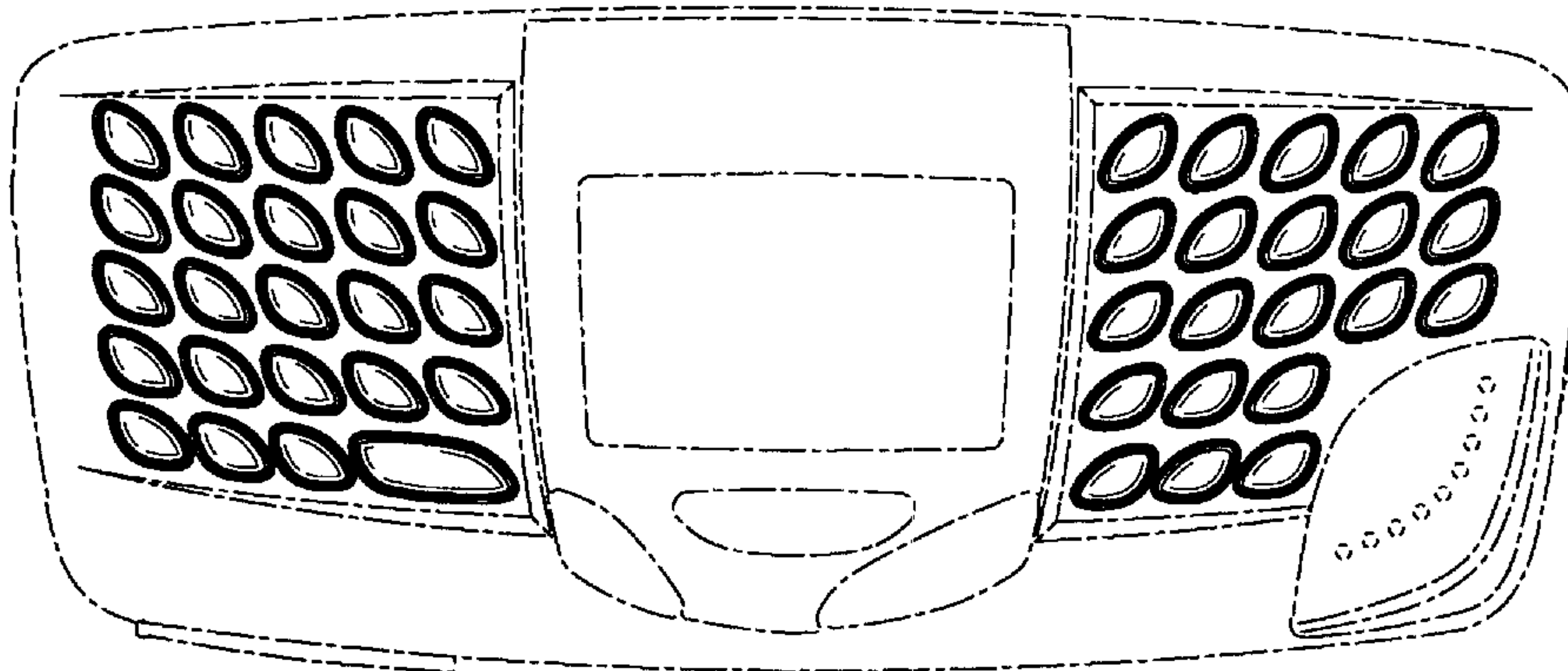
(57) **CLAIM**

The ornamental design for a key arrangement for a handset, as shown and described.

**DESCRIPTION**

FIG. 1 is a top view of a key arrangement for a handset showing my new design; and, FIG. 2 is a perspective view thereof. The broken line showing of the remainder of the handset is for illustrative purposes only and forms no part of the claimed design.

**1 Claim, 1 Drawing Sheet**



# US D481,710 S

Page 2

## U.S. PATENT DOCUMENTS

D417,670 S	*	12/1999	Capps et al. ....	D14/218	D454,348 S	3/2002	Yeh		
6,005,496 A	*	12/1999	Hargreaves et al. ....	341/22	D454,349 S	3/2002	Makidera et al.		
6,016,423 A	*	1/2000	Ross et al. ....	455/90	D454,549 S	3/2002	Vuolteenaho et al.		
D421,022 S	*	2/2000	Curtis .....	D14/248	D454,865 S	*	3/2002	Langford et al. .... D14/247	
D422,282 S		4/2000	Curtis		D454,868 S	3/2002	Vuolteenaho et al.		
D422,972 S		4/2000	King		D454,869 S	3/2002	Becker et al.		
D423,508 S	*	4/2000	Nakajima .....	D14/218	D457,565 S	*	5/2002	Catlin .....	D19/60
6,047,196 A		4/2000	Makela et al.		6,404,621 B2	*	6/2002	Zamora et al. ....	361/680
D426,218 S		6/2000	Abed et al.		D459,717 S	*	7/2002	Bohne .....	D14/218
D427,171 S		6/2000	Frye et al.		D464,995 S	*	10/2002	Griffin et al. ....	D21/329
D428,448 S	*	7/2000	Kitamori .....	D21/329	D467,917 S	*	12/2002	Tischer .....	D14/345
D437,847 S	*	2/2001	Moser, Jr. et al. ....	D14/346	D469,749 S	*	2/2003	Kim .....	D14/138
D438,854 S		3/2001	Badoual		D470,150 S	*	2/2003	Lewis, Jr. et al. ....	D14/455
D439,898 S		4/2001	Ober et al.		D470,151 S	*	2/2003	Lewis, Jr. et al. ....	D14/455
D440,959 S		4/2001	Wolf et al.		D471,559 S	*	3/2003	De Saulles .....	D14/455
D447,740 S		9/2001	Johansson		D472,551 S	*	4/2003	Griffin .....	D14/346
D450,688 S	*	11/2001	Gartrell et al. ....	D14/247	6,549,189 B1	*	4/2003	Zarek .....	345/168
6,323,845 B1	*	11/2001	Robbins .....	345/168	2002/0101405 A1	*	8/2002	Chang .....	345/168
D451,497 S	*	12/2001	Wang et al. ....	D14/218	2002/0122028 A1	*	9/2002	Wang .....	345/168
D451,913 S		12/2001	Vuolteenaho et al.		2003/0030623 A1	*	2/2003	Yu .....	345/168
D452,280 S	*	12/2001	Ota et al. ....	D21/329	2003/0043118 A1	*	3/2003	Lee .....	345/168
D453,149 S	*	1/2002	Skoger et al. ....	D14/138	2003/0044000 A1	*	3/2003	Kfoury et al. ....	379/433.04
D453,536 S	*	2/2002	Ota et al. ....	D21/329	2003/0063070 A1	*	4/2003	Kang .....	345/168
D453,930 S		2/2002	Vuolteenaho et al.		2003/0078069 A1	*	4/2003	Lindeman .....	455/550
6,344,967 B2	*	2/2002	Zamora et al. ....	361/680					

\* cited by examiner

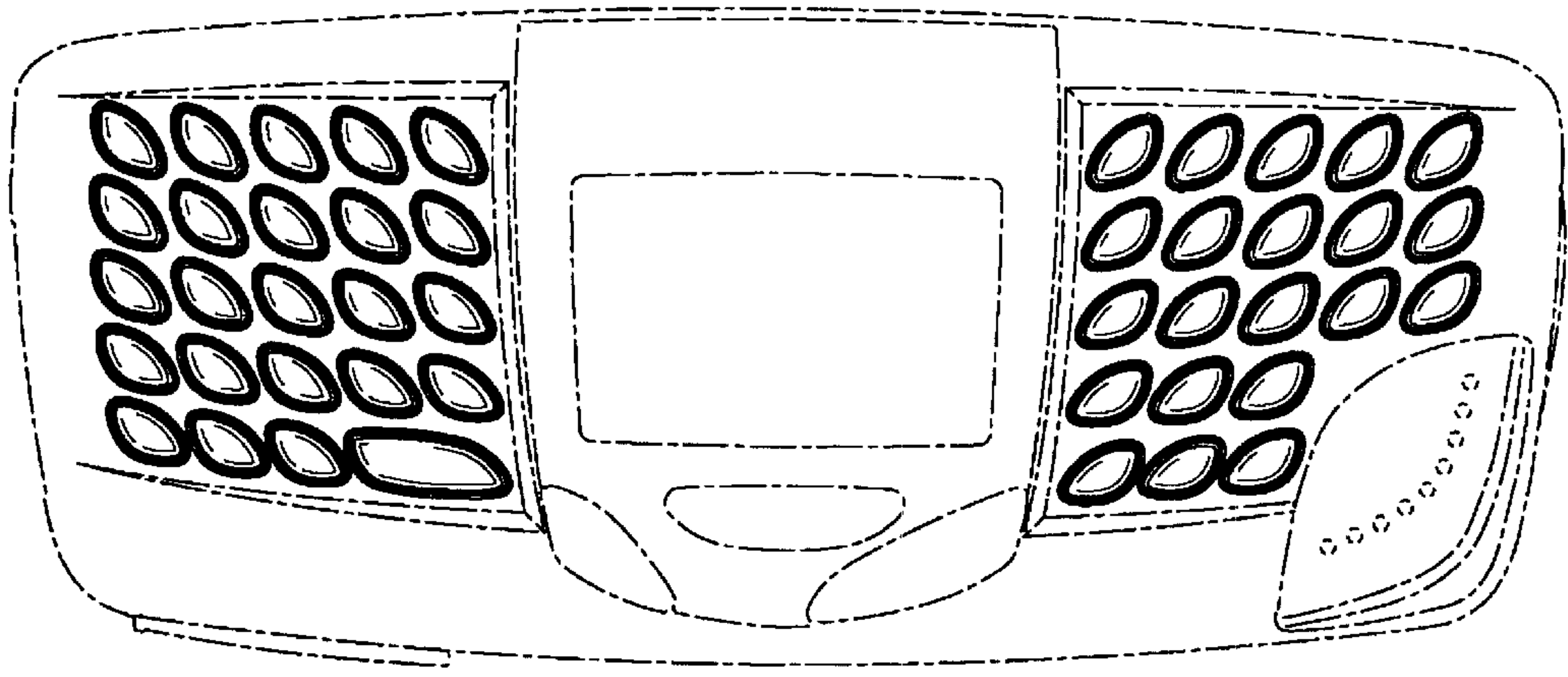


FIG. 1

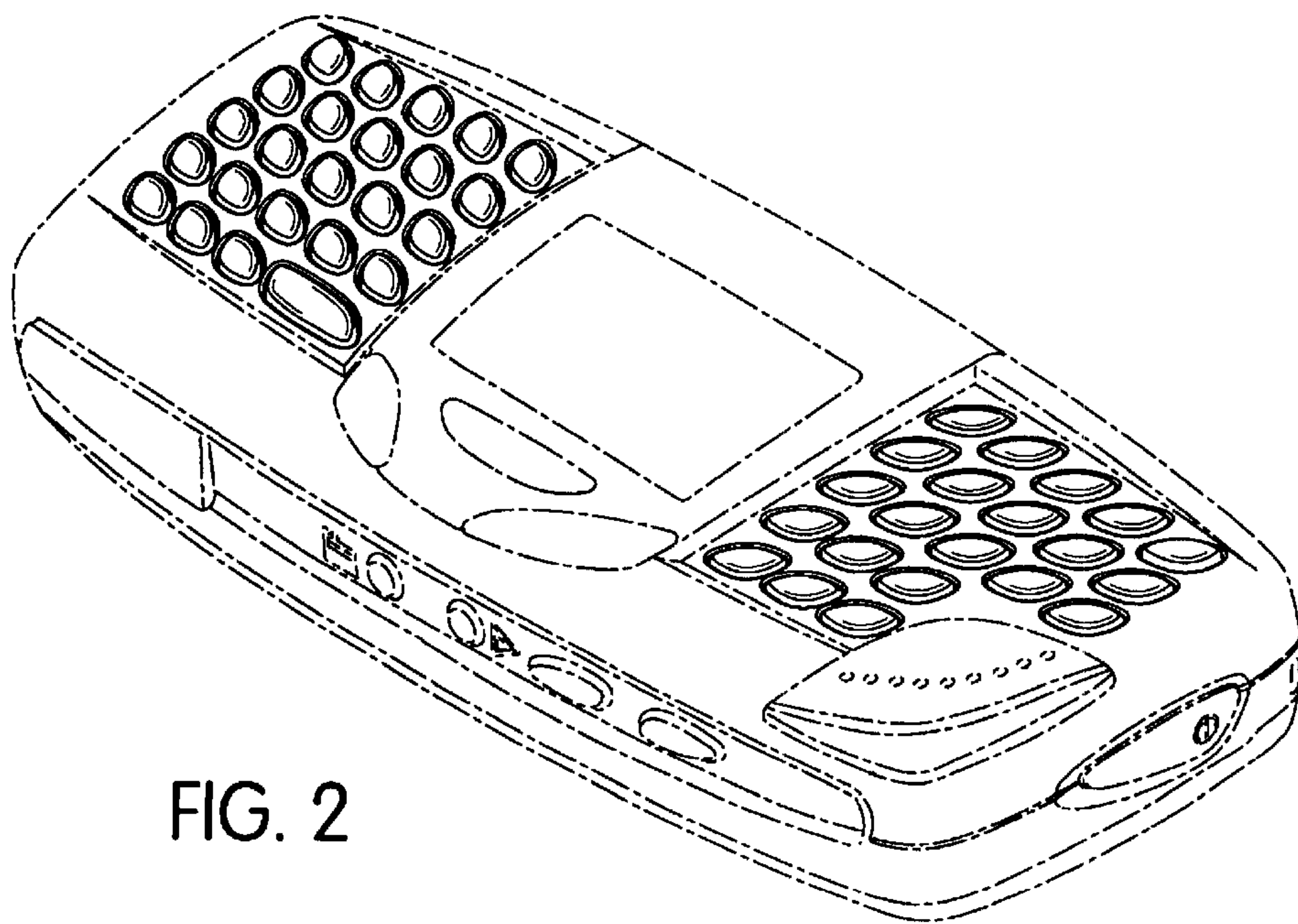


FIG. 2