



US00D481707S

(12) **United States Design Patent**  
**Quilling, II et al.**

(10) **Patent No.:** **US D481,707 S**

(45) **Date of Patent:** **\*\* Nov. 4, 2003**

(54) **DUAL COMPARTMENT AUTO STEREO MOUNTING DEVICE WITH LIGHTER CUT-OUT**

*Primary Examiner*—Paula A. Mortimer  
(74) *Attorney, Agent, or Firm*—Fitzpatrick, Cella, Harper & Scinto

(75) Inventors: **R. Spencer Quilling, II**, Glenwood, FL (US); **Jacqueline S. Upson**, Daytona Beach, FL (US)

(57) **CLAIM**

We claim the ornamental design for a dual compartment auto stereo mounting device with lighter cut-out, as shown and described.

(73) Assignee: **Metra Electronics Corporation**, Holly Hill, FL (US)

**DESCRIPTION**

(\*\*) Term: **14 Years**

(21) Appl. No.: **29/167,878**

(22) Filed: **Sep. 24, 2002**

(51) **LOC (7) Cl.** ..... **14-01**

(52) **U.S. Cl.** ..... **D14/224**

(58) **Field of Search** ..... D14/204, 217, D14/224, 229, 258; D12/223; 248/27.1, 27.3, 558, 221.3, 220.2, 221.4; 403/4; 455/345; 361/685

FIG. 1 is a right front perspective view of a dual compartment auto stereo mounting device with lighter cut-out showing a preferred embodiment of our design, with environmental structure for an interface with a vehicle dashboard mounting structure shown in dotted line, and not forming part of the claimed design;

FIG. 2 is a front elevation view of FIG. 1;

FIG. 3 is a top plan view of FIG. 1;

FIG. 4A is a right side elevation view of FIG. 1;

FIG. 4B is a sectional view taken along line 4B—4B of FIG. 2;

FIG. 5 is an alternate right side elevational view of FIG. 4A;

FIG. 6 is a bottom plan view of FIG. 3; and,

FIG. 7 is a rear elevational view of FIG. 2.

The appearance of our design for a dual compartment auto stereo mounting device with lighter cut-out, characterized by a compound curved front surface that is intersected by a planar opening and flange for accepting a standard auto-sound head unit, such as a DIN radio with a CD-Rom changer or the like, and a narrow horizontal pocket adapted to accept the insertion of a CD-Rom jewel case from the front.

(56) **References Cited**

**U.S. PATENT DOCUMENTS**

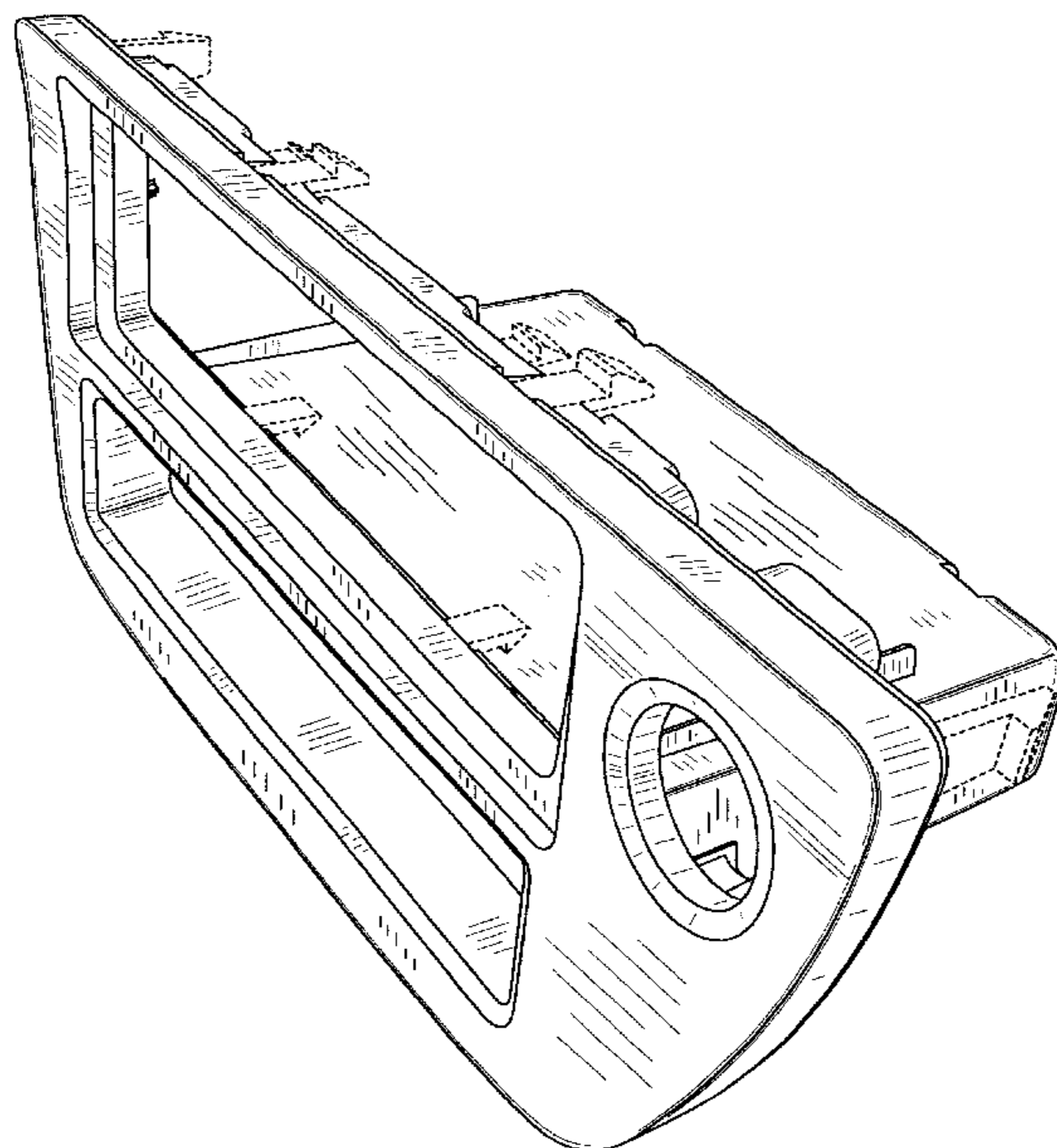
D107,654 S	*	12/1937	Marholz	.....	D14/258
D294,258 S	*	2/1988	Sprague	.....	D14/258
5,106,039 A		4/1992	Gross		
5,467,947 A		11/1995	Quilling, II		
5,485,348 A	*	1/1996	Oros	.....	361/685
D395,313 S	*	6/1998	Alves et al.	.....	D14/258
D401,591 S		11/1998	Jones, Jr.		
D418,838 S		1/2000	Jones, Jr.		

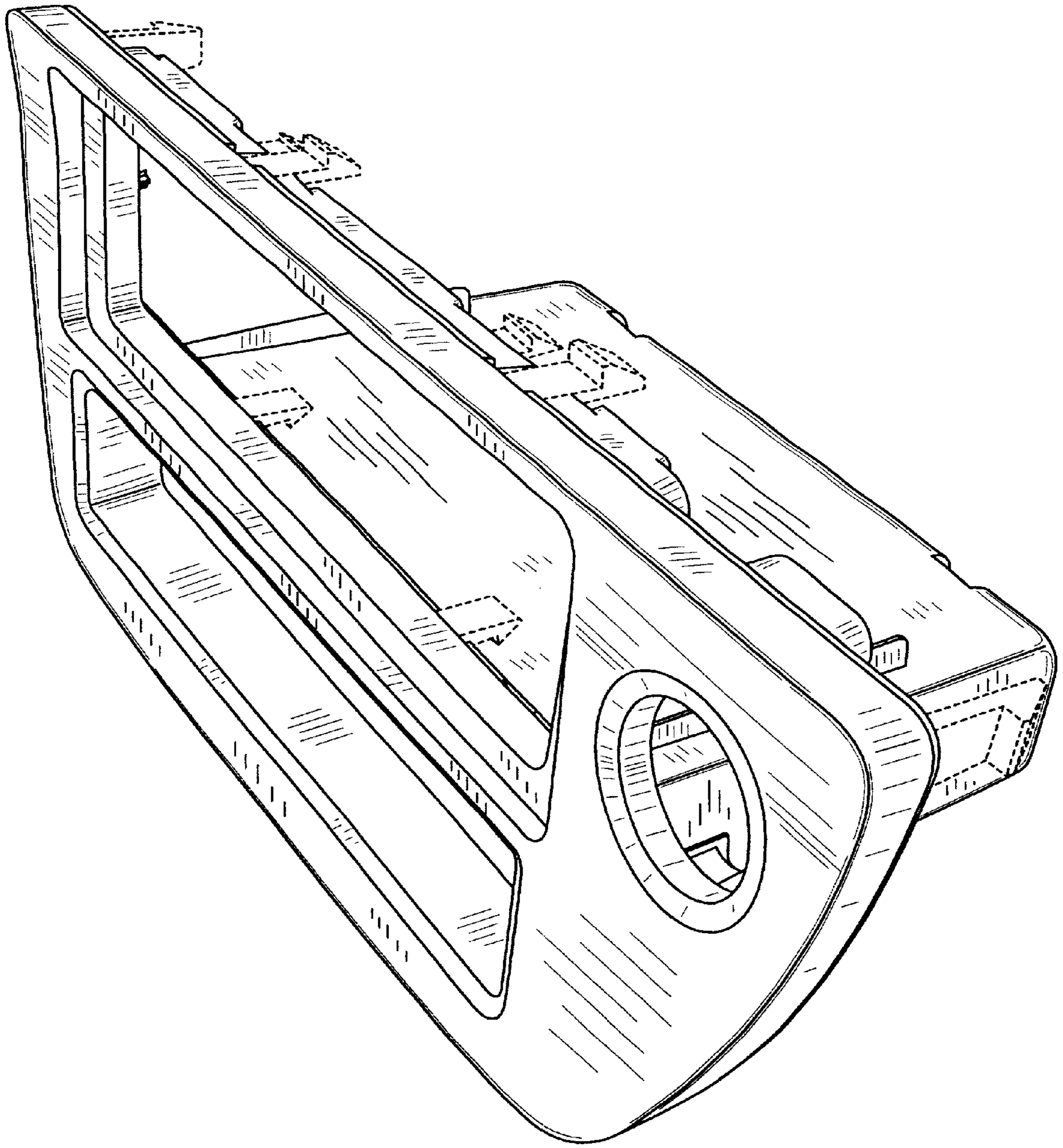
**OTHER PUBLICATIONS**

Metra 2001 Autosound Installation Products Catalog, pp. Cover, 1–62, Published May 2001.

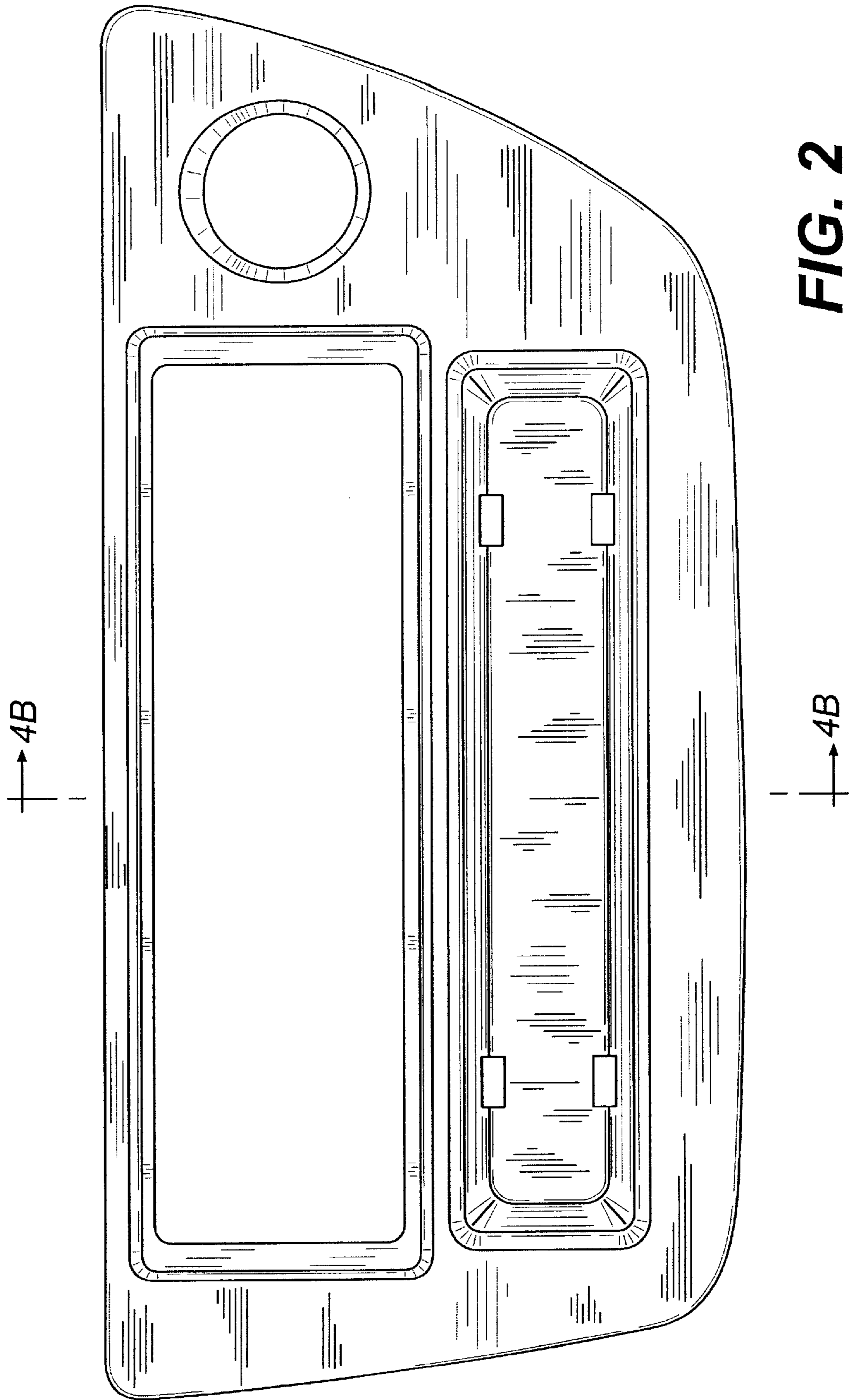
\* cited by examiner

**1 Claim, 8 Drawing Sheets**





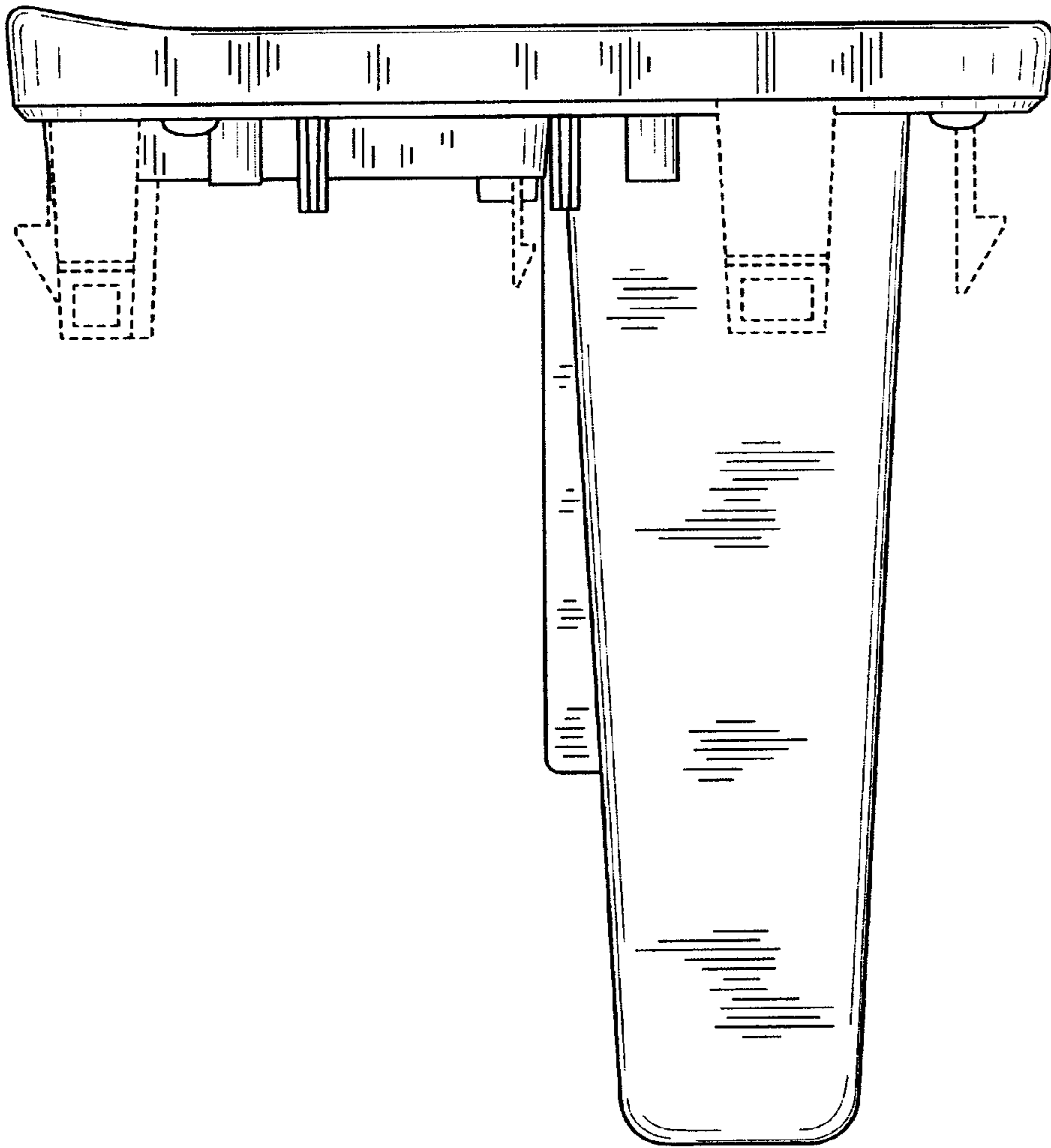
**FIG. 1**



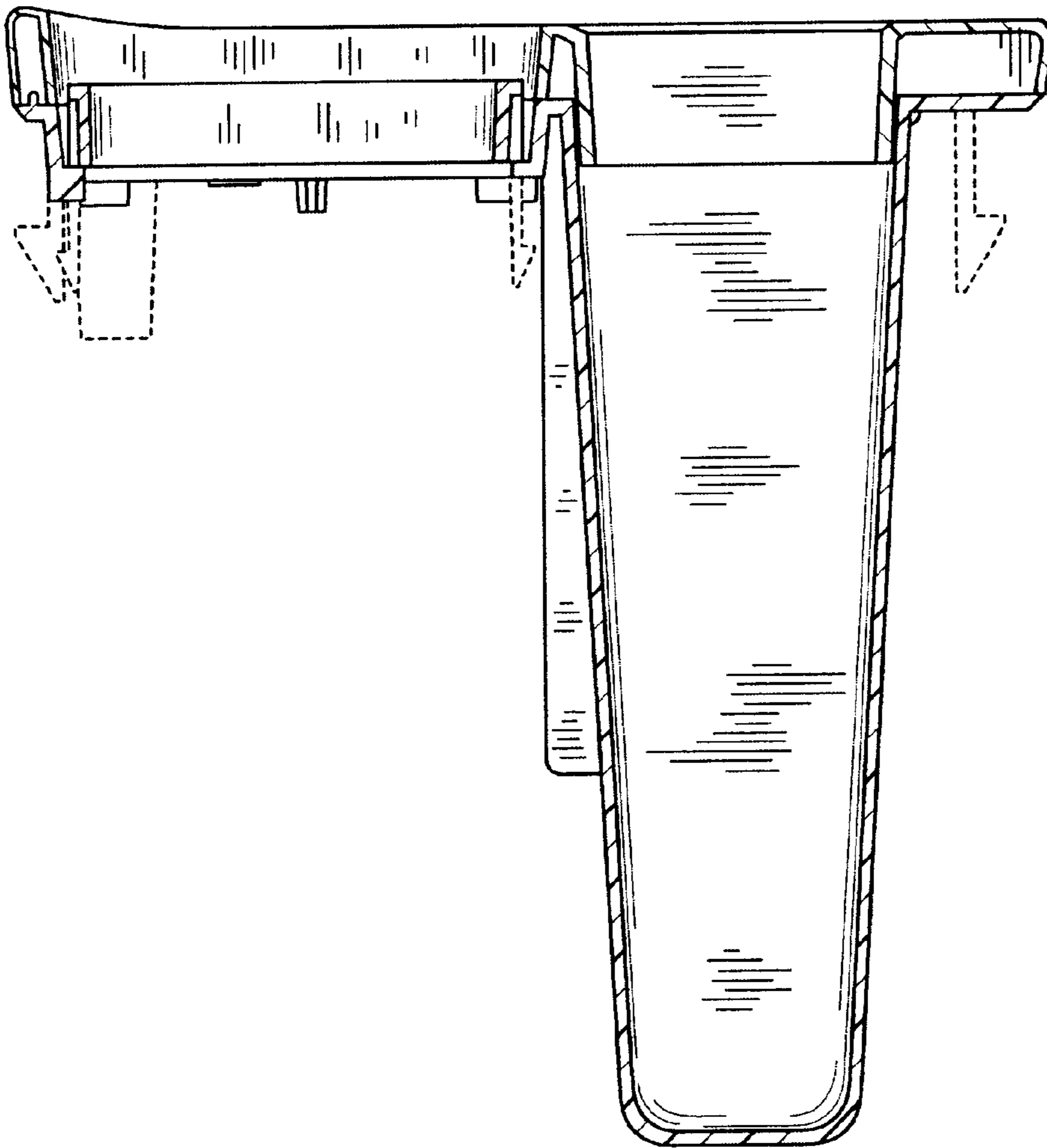




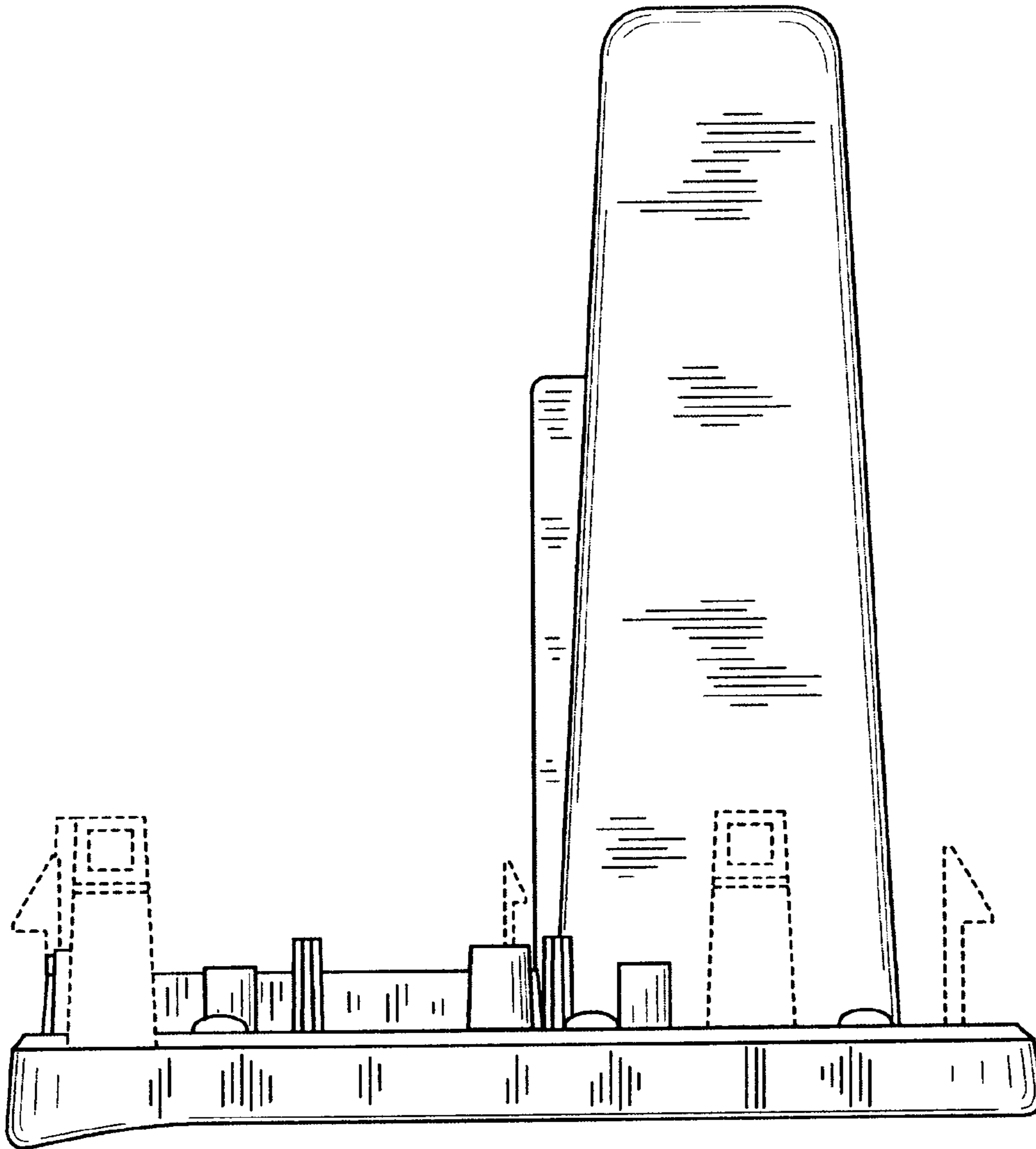
**FIG. 3**



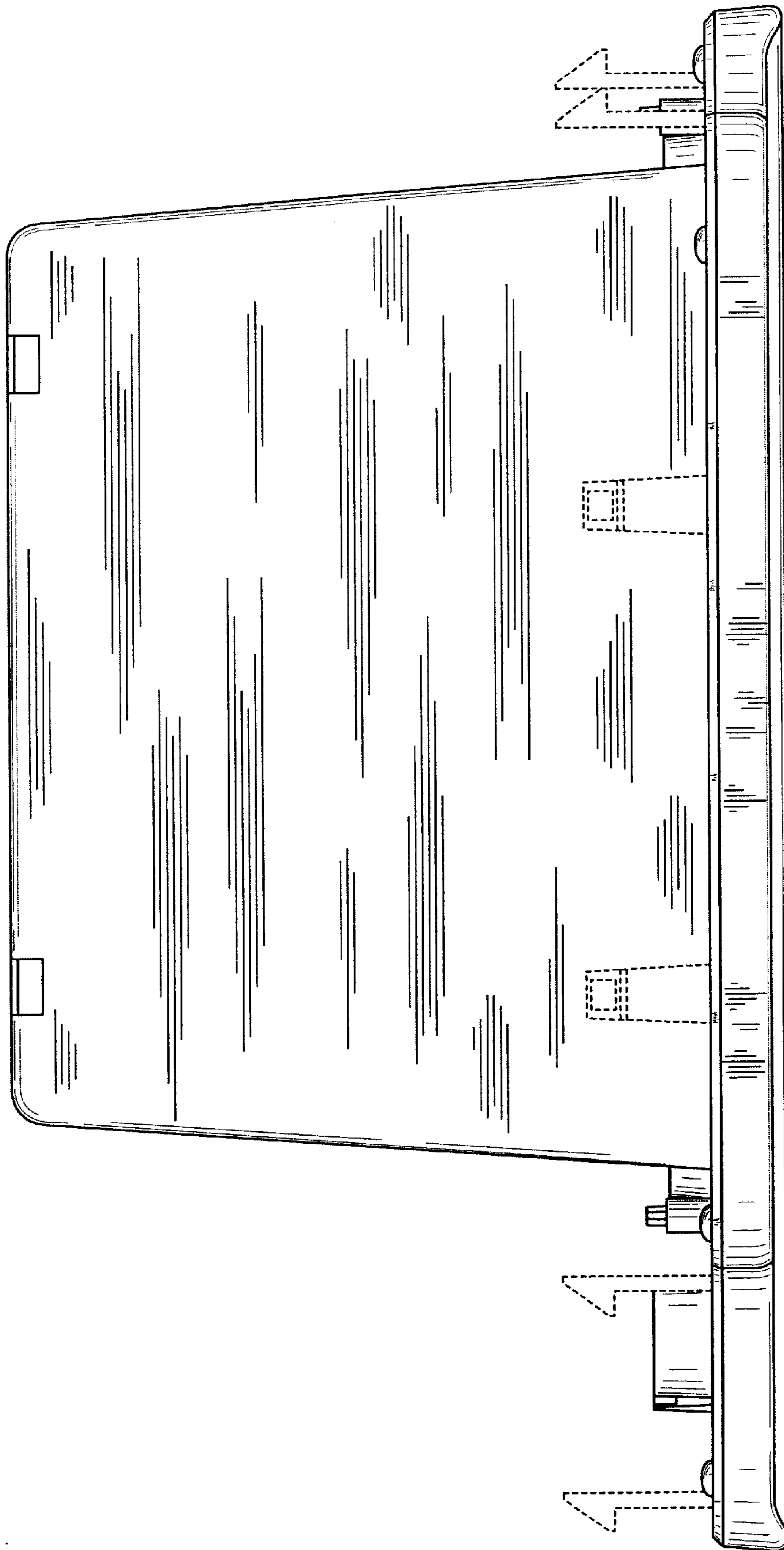
**FIG. 4A**



**FIG. 4B**



**FIG. 5**



**FIG. 6**



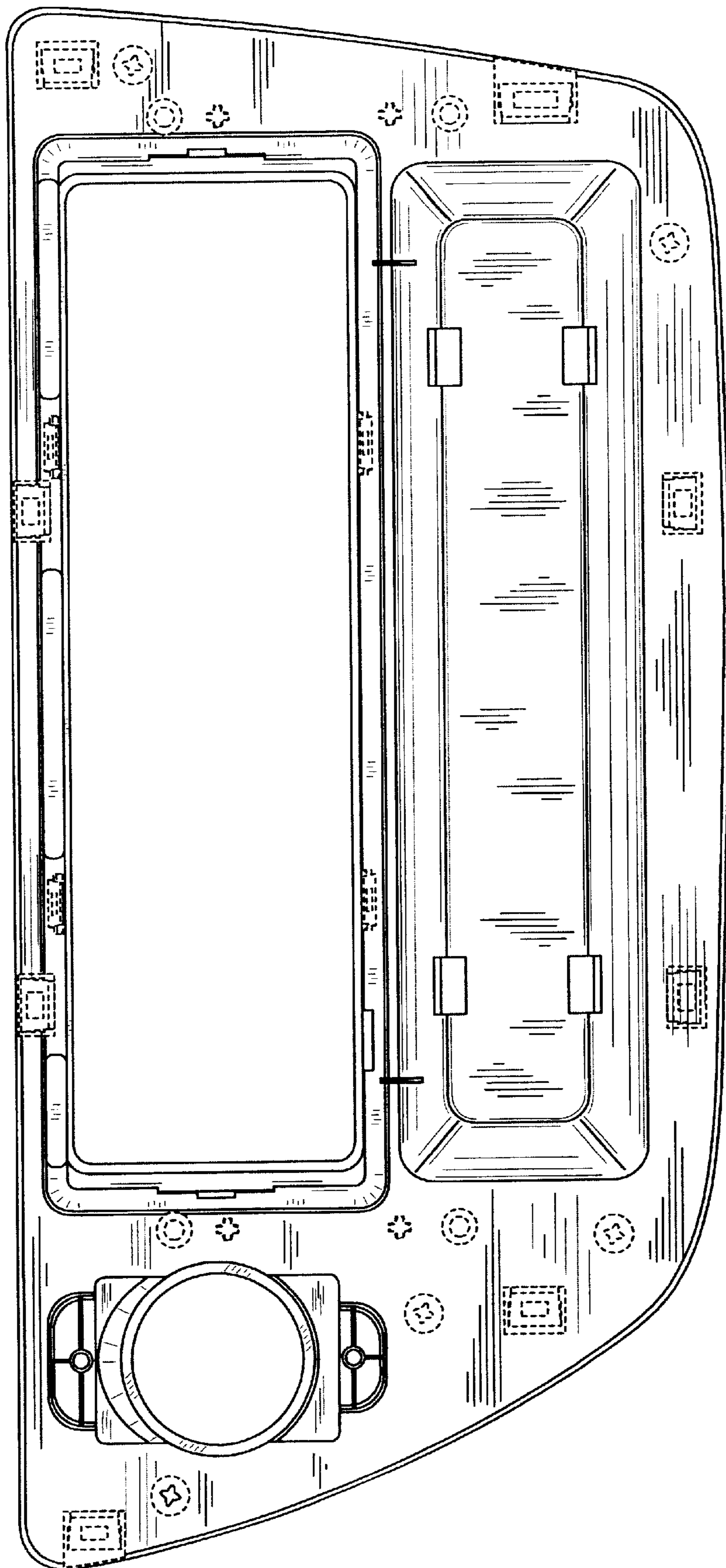


FIG. 7