



US00D481705S

(12) **United States Design Patent**  
**Homewood et al.**

(10) **Patent No.:** **US D481,705 S**

(45) **Date of Patent:** **\*\* Nov. 4, 2003**

(54) **LOUDSPEAKER CABINET**

(75) Inventors: **Timothy Andrew Homewood**,  
Singapore (SG); **Liz Teh Siew Cheng**,  
Singapore (SG)

(73) Assignee: **Koninklijke Philips Electronics N.V.**,  
Eindhoven (NL)

(\*\*) Term: **14 Years**

(21) Appl. No.: **29/170,951**

(22) Filed: **Nov. 13, 2002**

(30) **Foreign Application Priority Data**

May 30, 2002 (WO) ..... DMA/005 738

(51) **LOC (7) Cl.** ..... **14-01**

(52) **U.S. Cl.** ..... **D14/214; D14/211**

(58) **Field of Search** ..... D14/204, 207,  
D14/209-216, 356; 181/143-145, 147-148,  
150, 153, 157, 198-199; 381/300-302,  
306, 333, 345, 361-364, 386-388

(56) **References Cited**

**U.S. PATENT DOCUMENTS**

D239,036 S \* 3/1976 Ross ..... D14/214

D268,673 S \* 4/1983 Iijima ..... D14/214  
D403,324 S \* 12/1998 Horikoshi ..... D14/214  
D437,843 S \* 2/2001 Masui ..... D14/216  
D462,066 S \* 8/2002 Mayette et al. .... D14/211

\* cited by examiner

*Primary Examiner*—Nanda Bondade

(74) *Attorney, Agent, or Firm*—Ernestine C. Bartlett

(57) **CLAIM**

The ornamental design for a loudspeaker cabinet, as shown.

**DESCRIPTION**

FIG. 1 is a perspective view showing my design;

FIG. 2 is a front elevational view thereof;

FIG. 3 is a rear elevational view thereof;

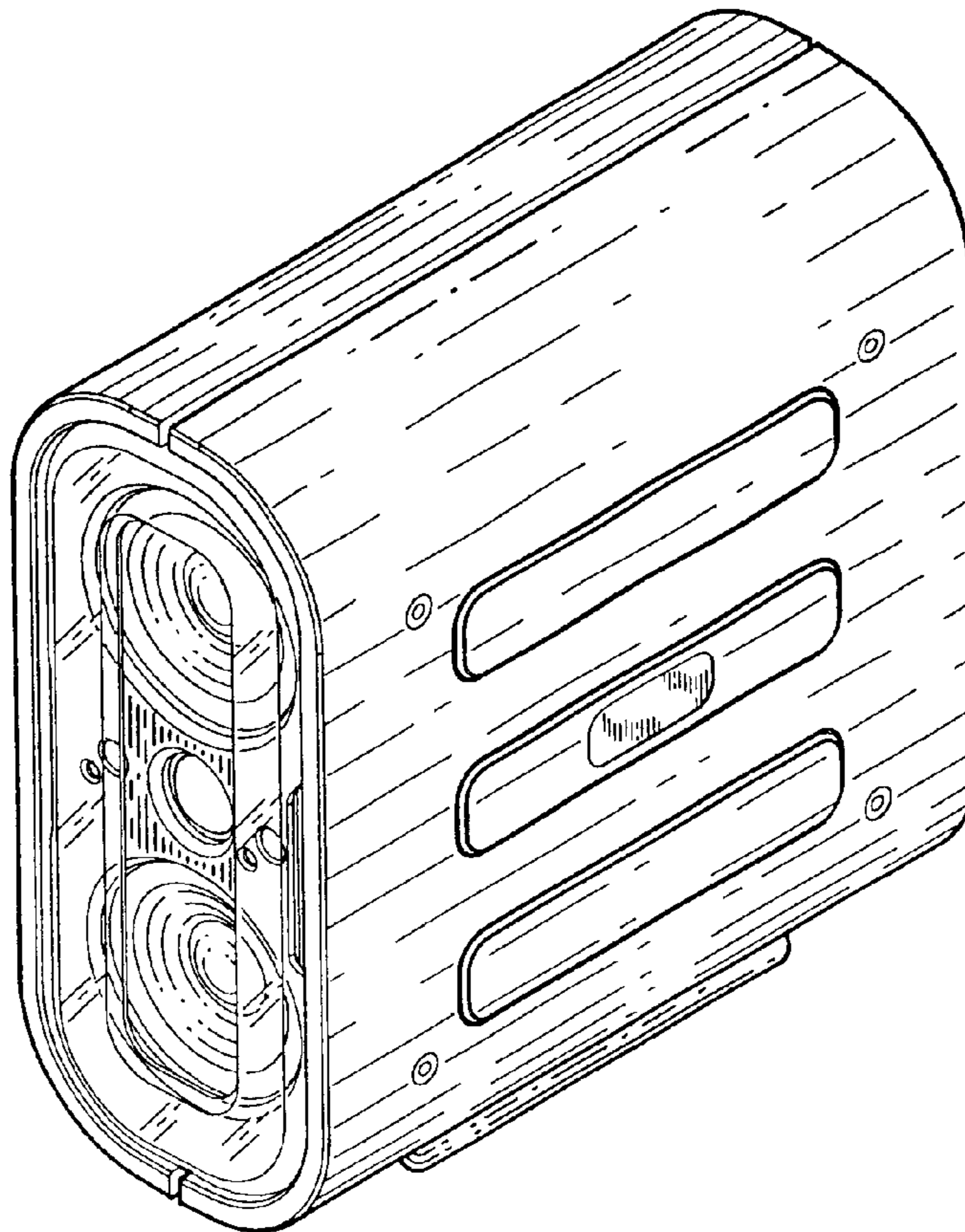
FIG. 4 is a left side elevational view thereof;

FIG. 5 is a right side elevational view thereof;

FIG. 6 is a top plan view thereof; and,

FIG. 7 is a bottom plan view thereof.

**1 Claim, 4 Drawing Sheets**



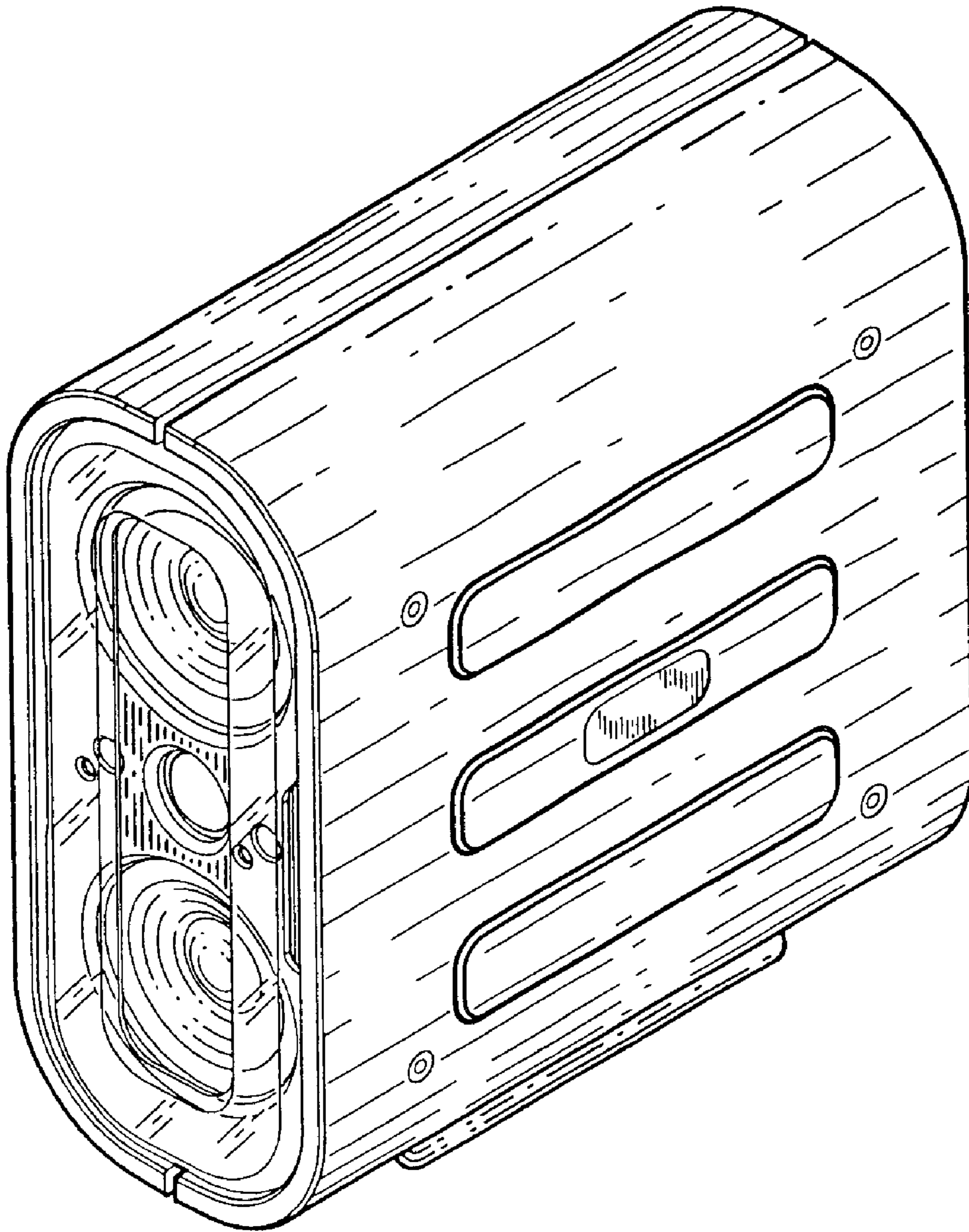


FIG. 1

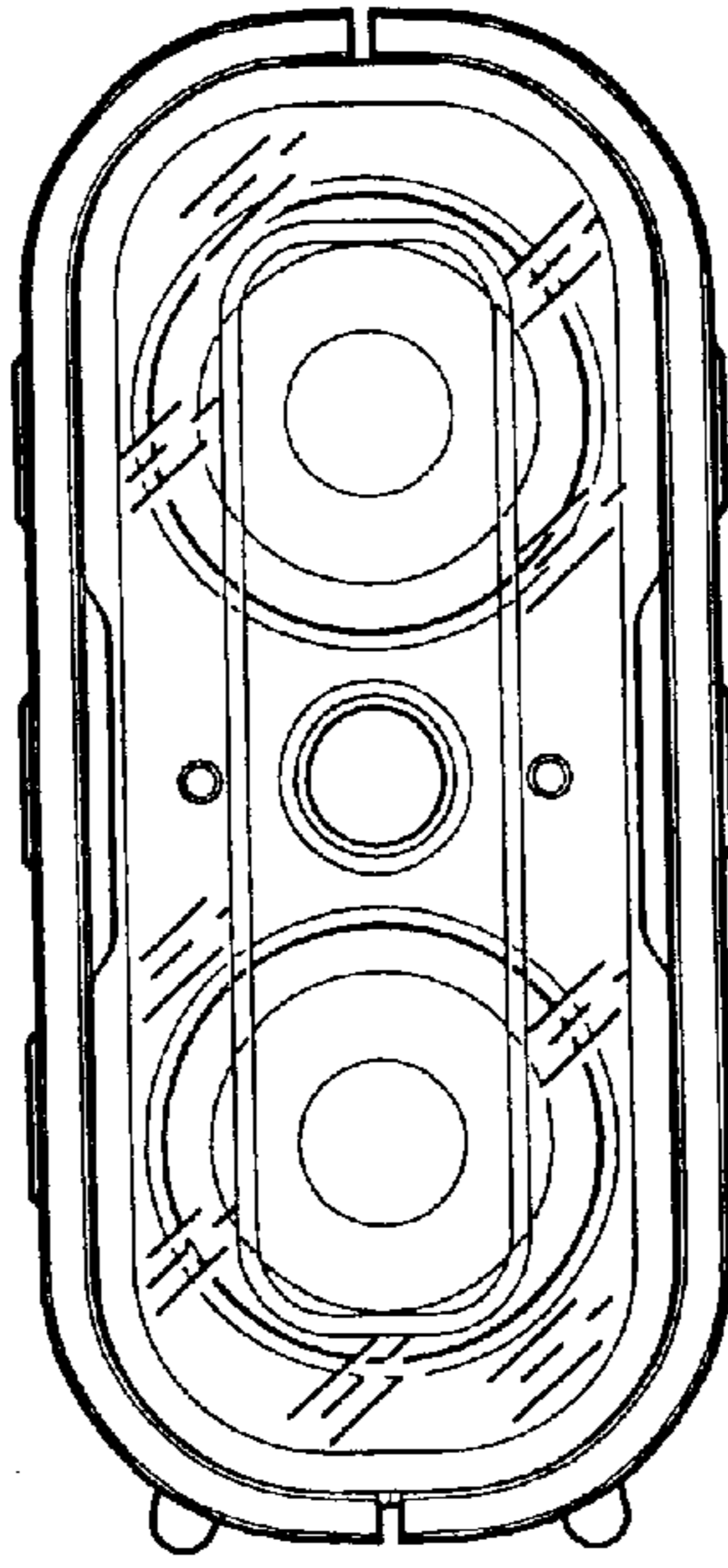


FIG. 2

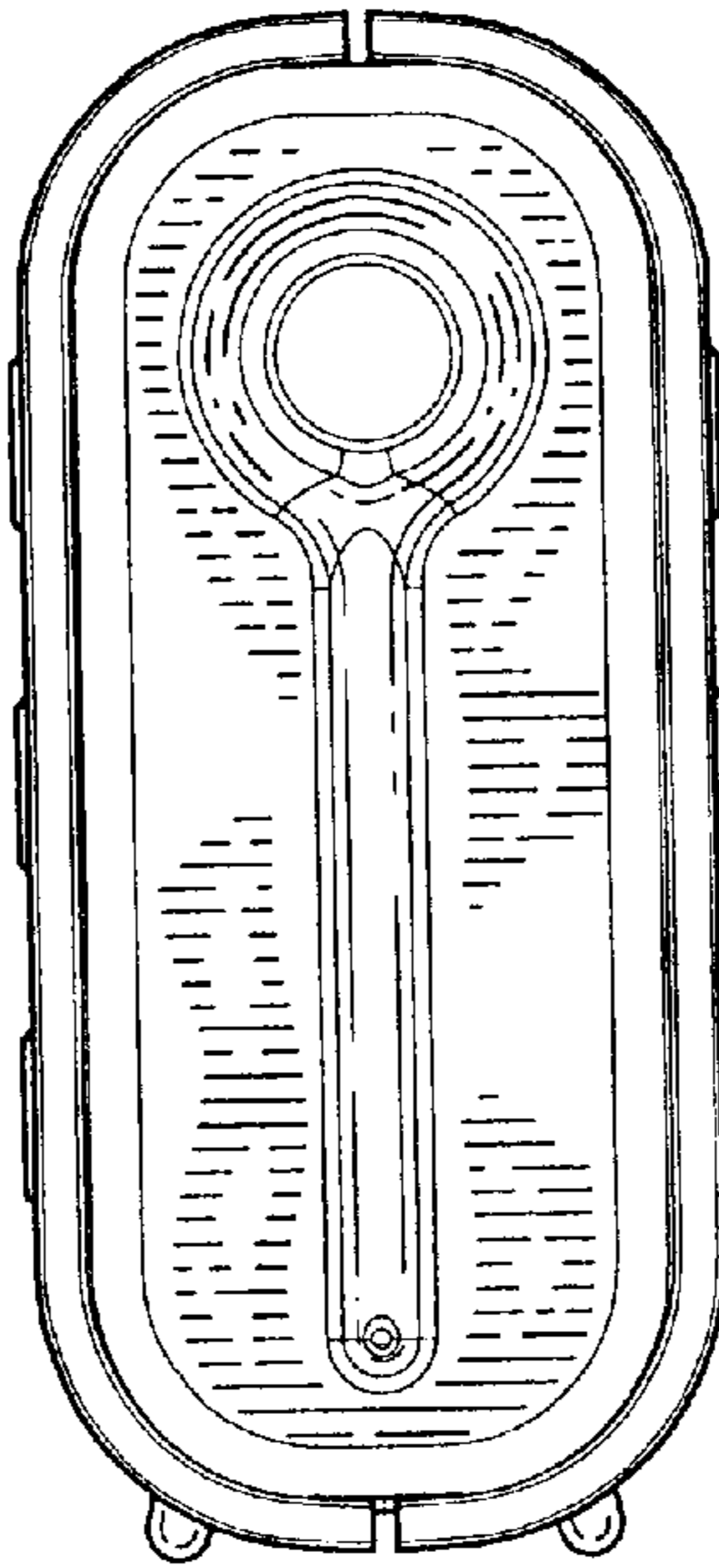


FIG. 3

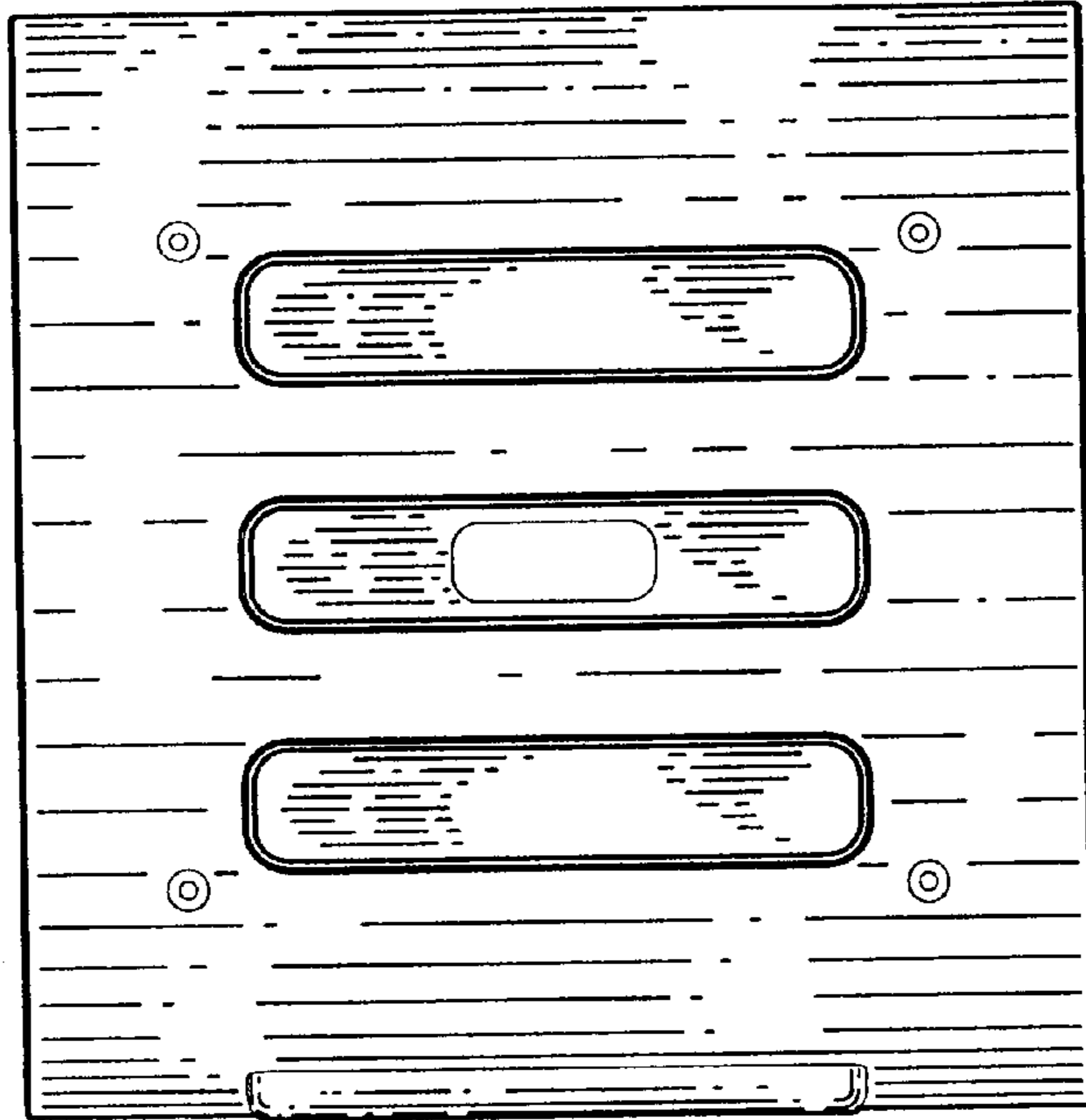


FIG. 4

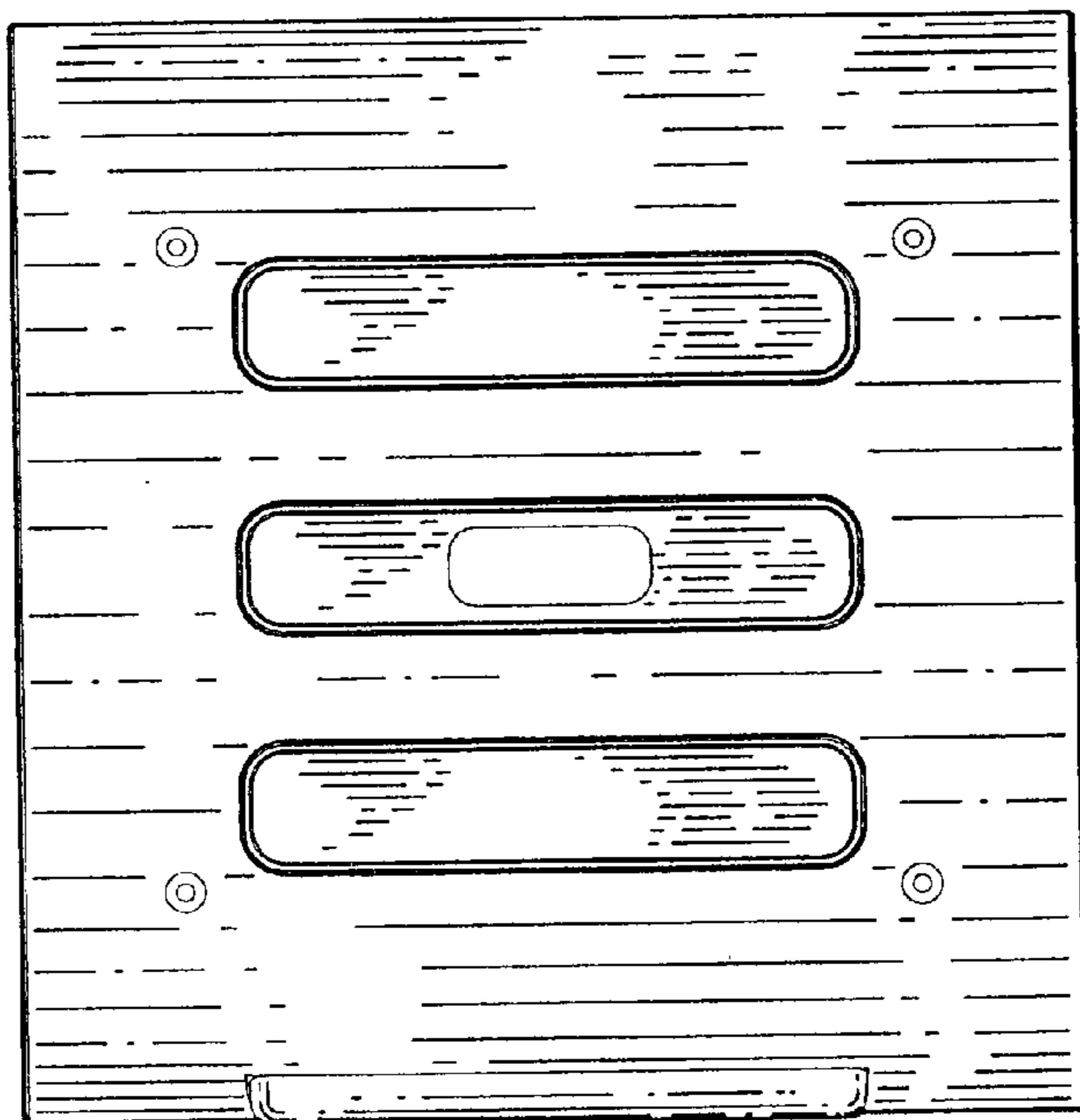


FIG. 5

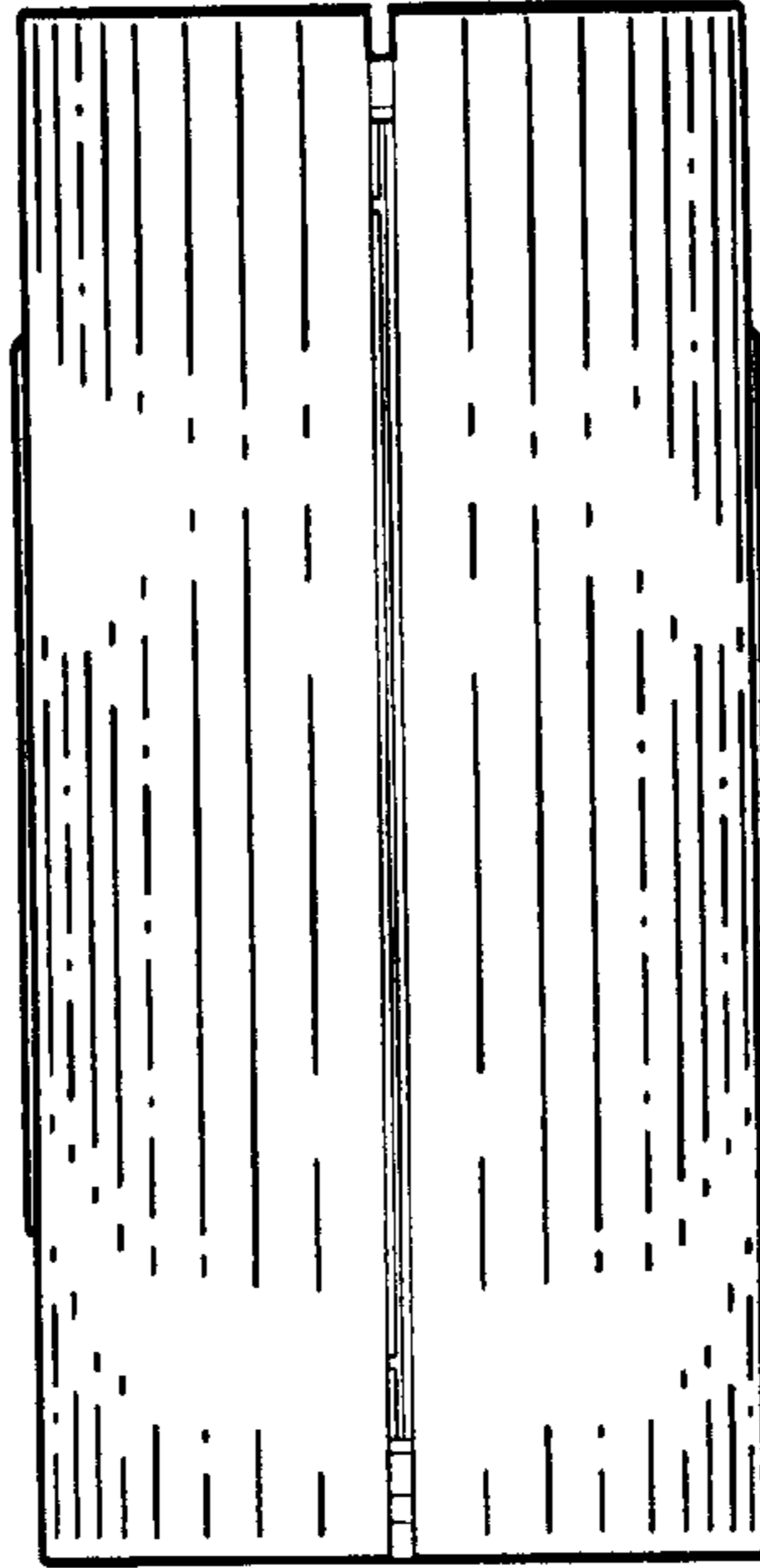


FIG. 6

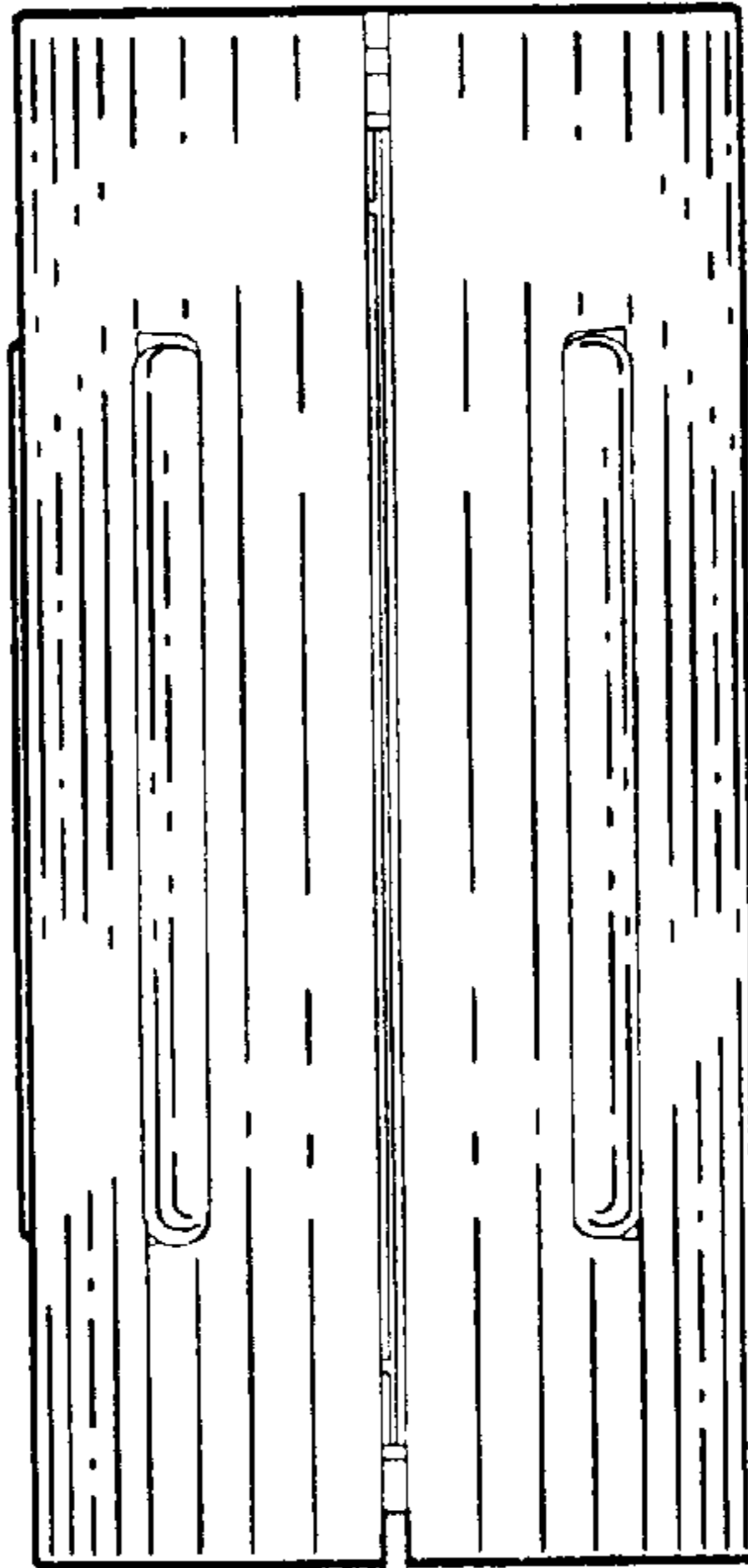


FIG. 7