



US00D481702S

(12) **United States Design Patent**
Takagi

(10) **Patent No.:** **US D481,702 S**

(45) **Date of Patent:** **** Nov. 4, 2003**

(54) **DIGITAL AUDIO PLAYER**

D457,872 S * 5/2002 Tanio D14/167

(75) Inventor: **Noriaki Takagi**, Tokyo (JP)

(73) Assignee: **Sony Corporation**, Tokyo (JP)

(**) Term: **14 Years**

(21) Appl. No.: **29/168,021**

(22) Filed: **Sep. 26, 2002**

(51) **LOC (7) Cl.** **14-01**

(52) **U.S. Cl.** **D14/156**

(58) **Field of Search** D14/135-136,
D14/156-157, 167-168, 188, 193-198,
257-258, 171; 369/75.1, 75.2, 77.1, 77.2;
455/344, 347, 350-351

(56) **References Cited**

U.S. PATENT DOCUMENTS

D371,786 S	*	7/1996	Maeyama	D14/168
D433,669 S	*	11/2000	Nakamura et al.	D14/136
D435,536 S	*	12/2000	Ishibashi	D14/171
D445,776 S	*	7/2001	Ishii et al.	D14/167

OTHER PUBLICATIONS

Catalog "Walkman," pp. 4 & 5, Sony (Jan. 2002).

* cited by examiner

Primary Examiner—Nanda Bondade

(74) *Attorney, Agent, or Firm*—Rader, Fishman & Grauer PLLC

(57) **CLAIM**

The ornamental design for a digital audio player, as shown.

DESCRIPTION

FIG. 1 is a perspective view of a digital audio player showing my new design;

FIG. 2 is a front elevational view thereof;

FIG. 3 is a rear elevational view thereof;

FIG. 4 is a left side elevational view thereof;

FIG. 5 is a right side elevational view thereof;

FIG. 6 is a bottom plan view thereof.

1 Claim, 4 Drawing Sheets

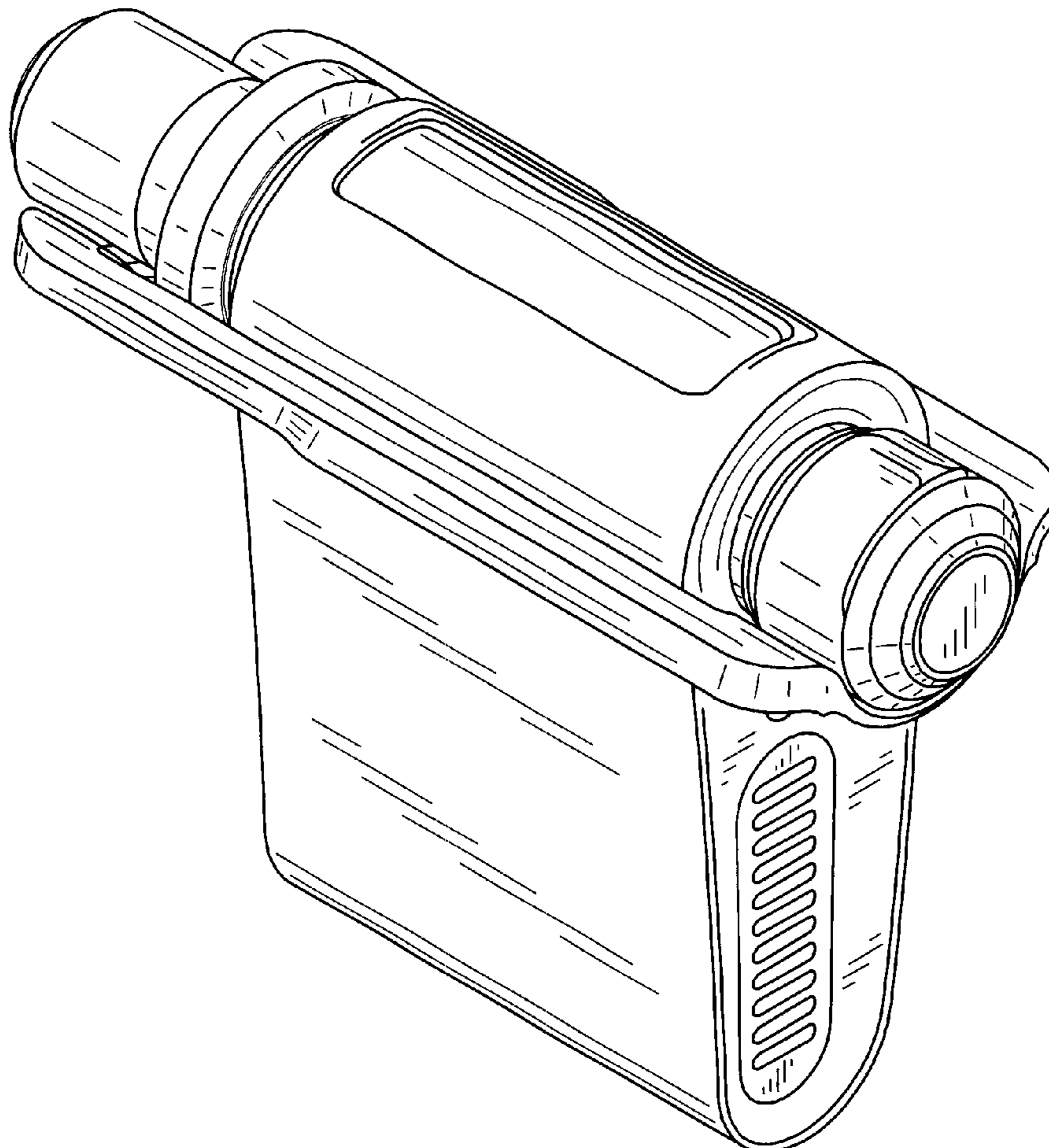


FIG. 1

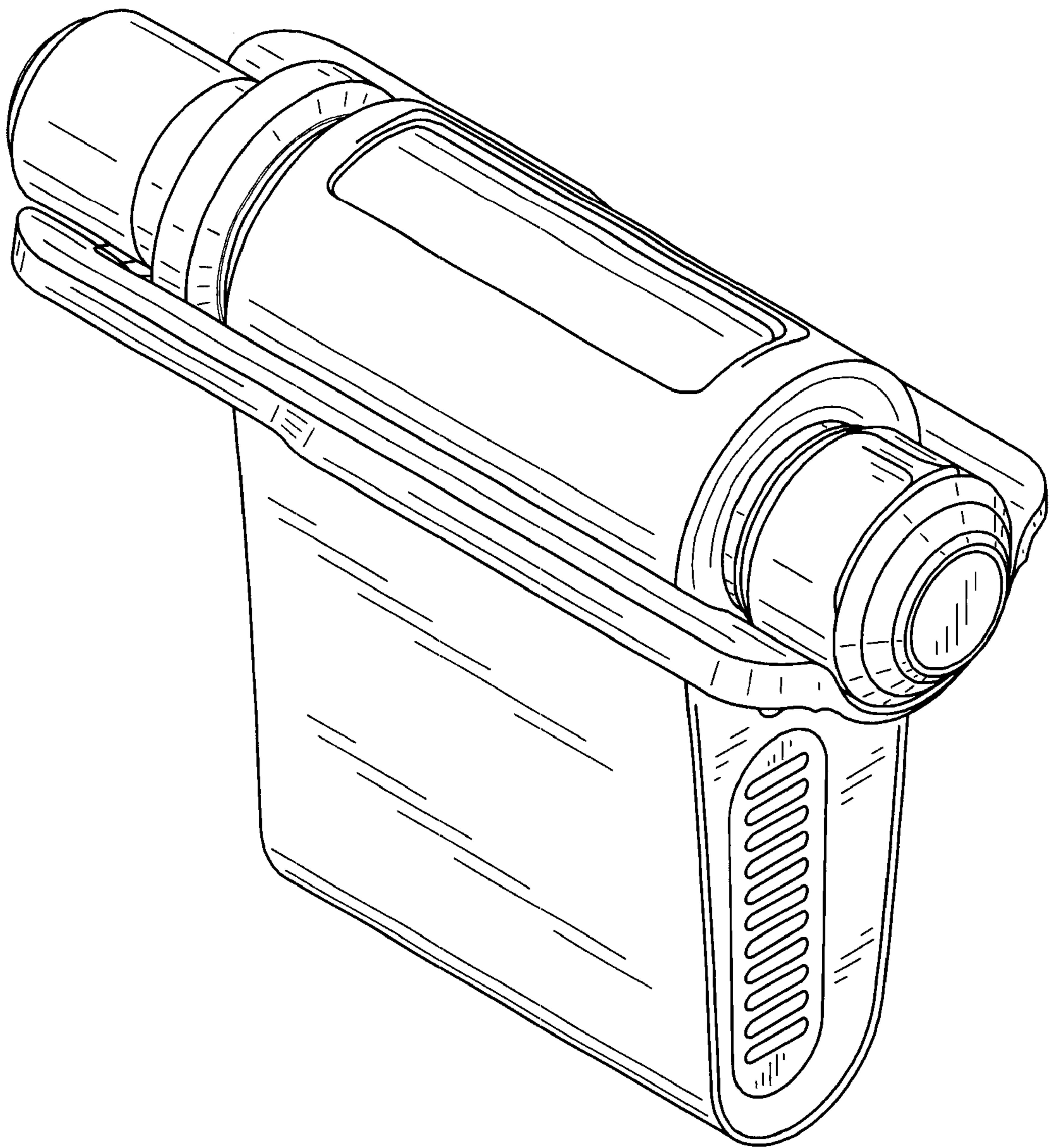


FIG. 2

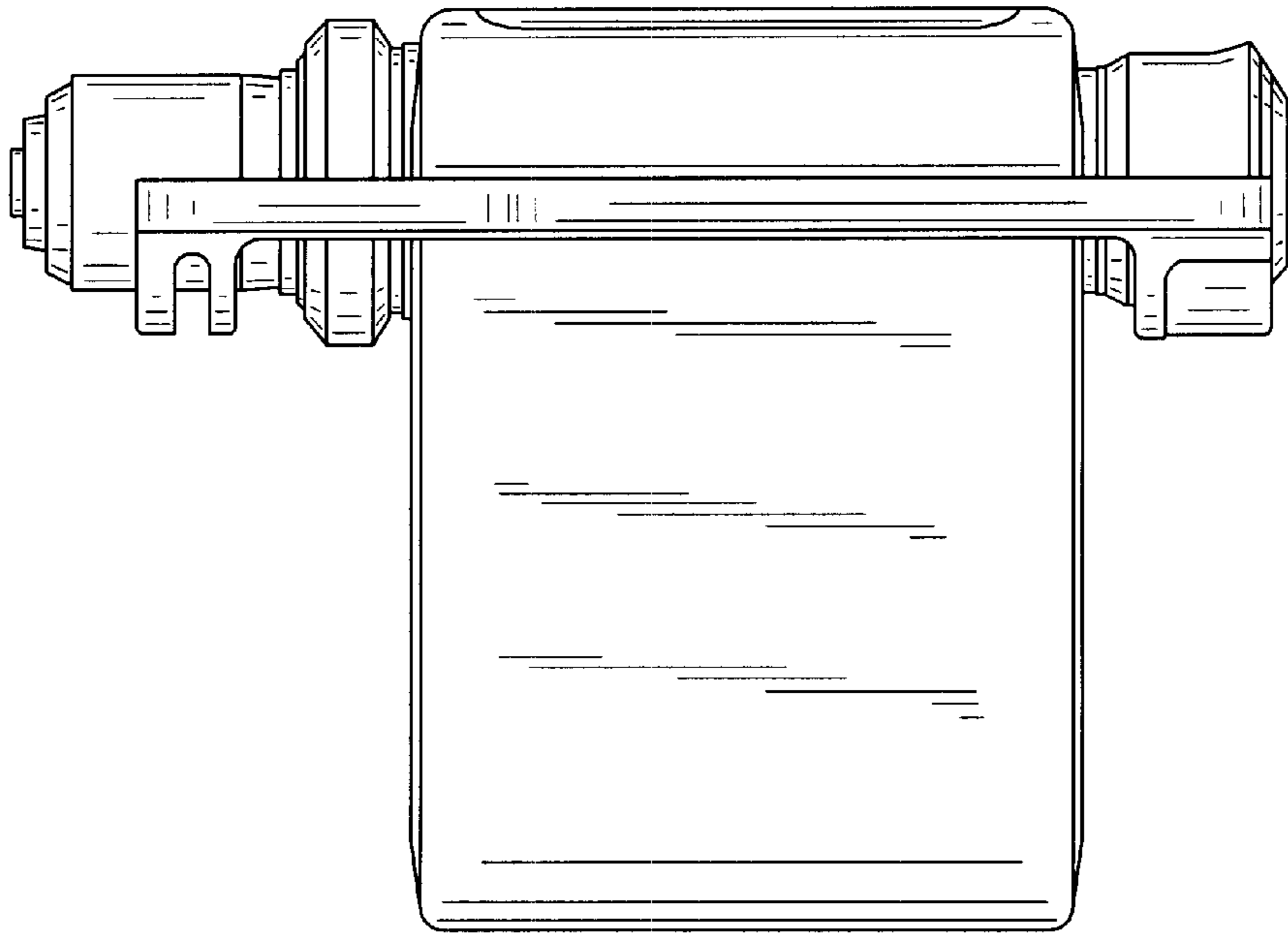


FIG. 3

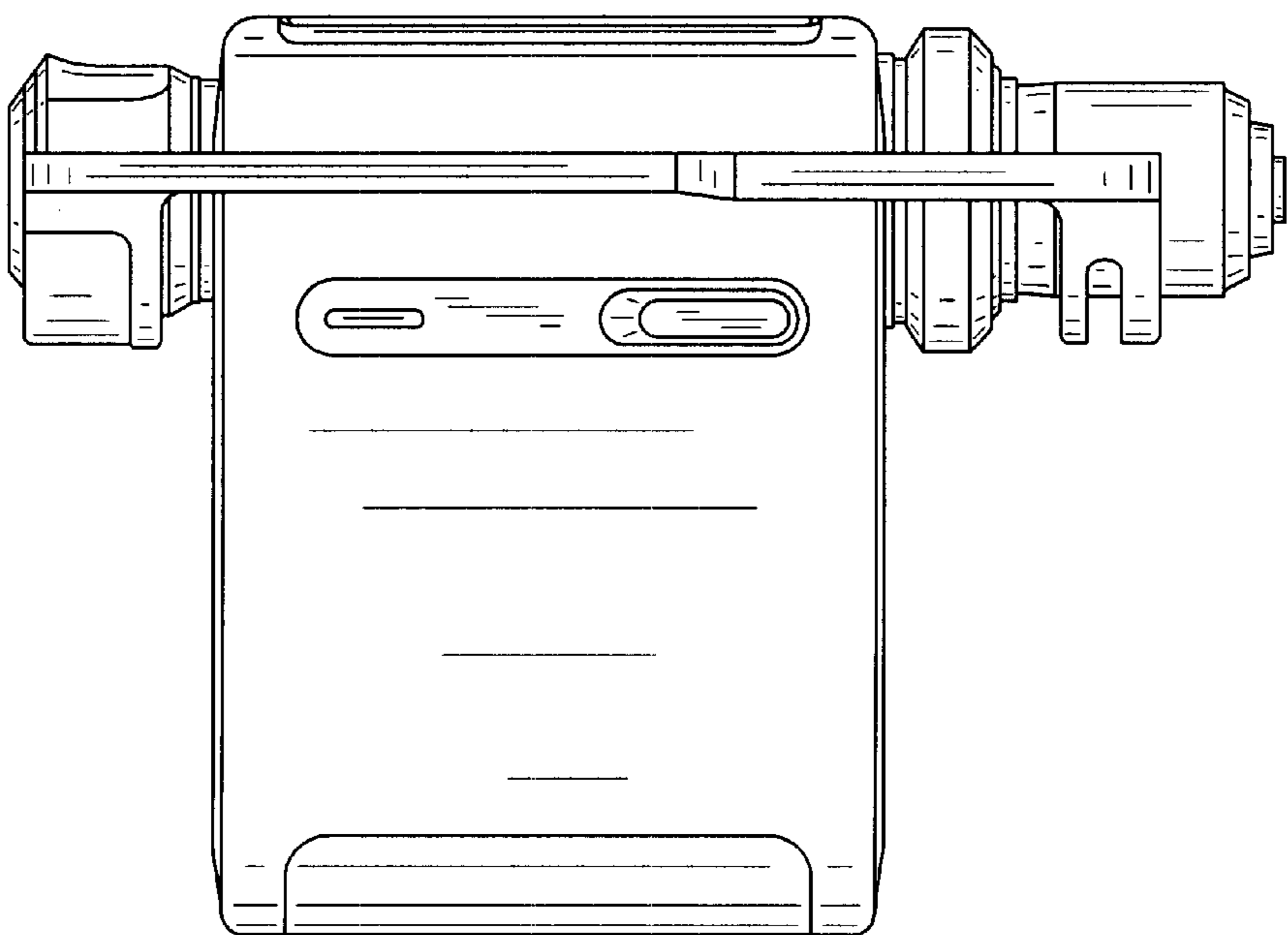


FIG. 4

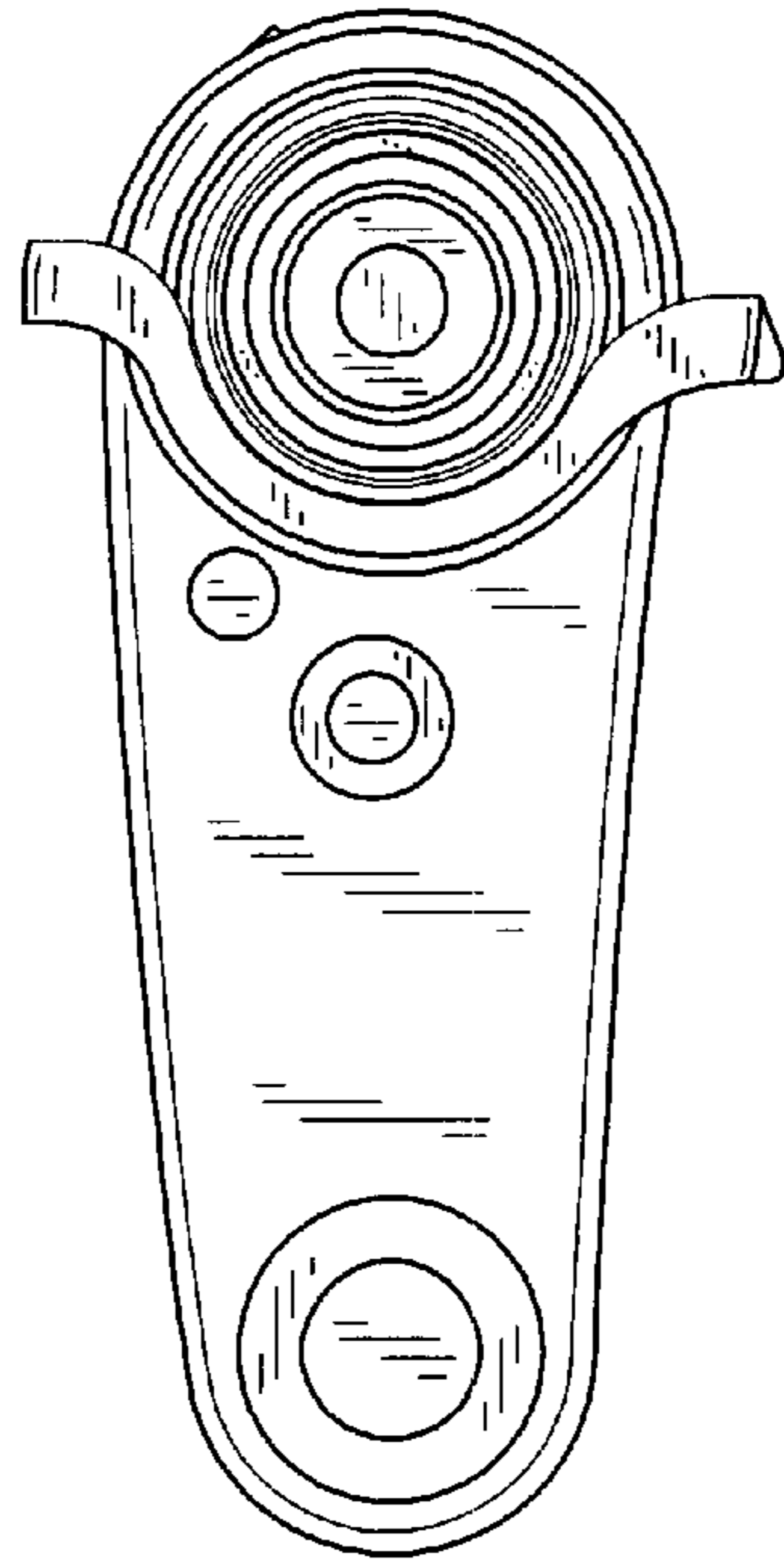


FIG. 5

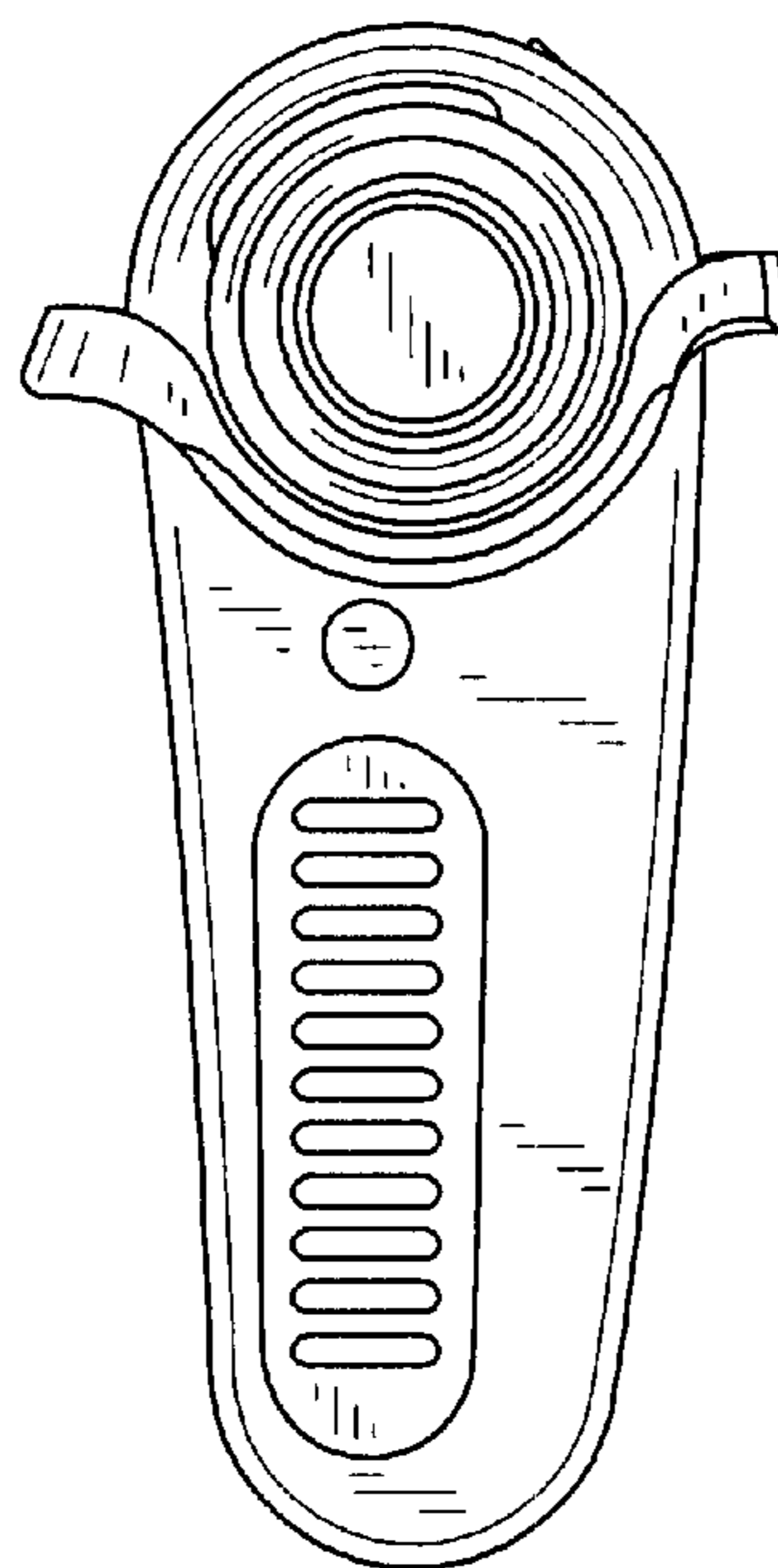


FIG. 6

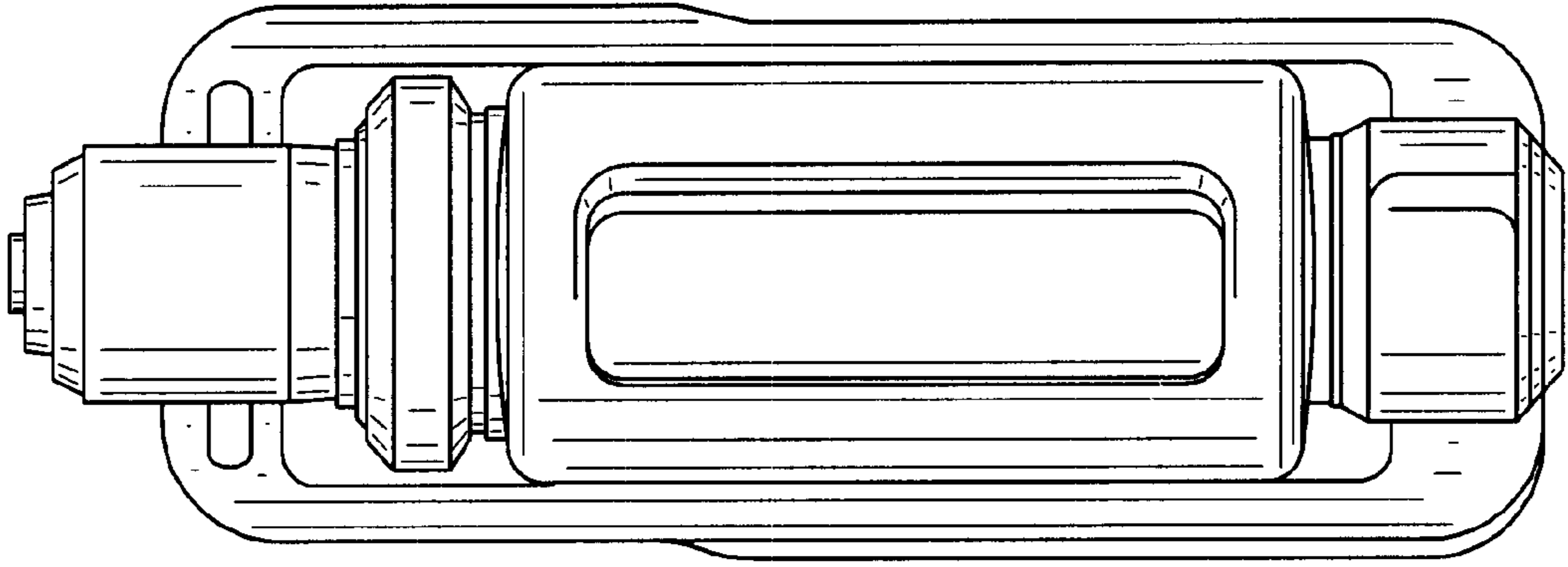


FIG. 7

