



US00D481693S

(12) **United States Design Patent**
Dalby

(10) **Patent No.:** **US D481,693 S**

(45) **Date of Patent:** **** Nov. 4, 2003**

(54) **HANDSET**

(75) **Inventor:** **Anthony Dalby, London (GB)**

(73) **Assignee:** **Nokia Corporation, Espoo (FI)**

(**) **Term:** **14 Years**

(21) **Appl. No.:** **29/164,005**

(22) **Filed:** **Jul. 18, 2002**

(30) **Foreign Application Priority Data**

Jan. 18, 2002 (FI) M20020051

(51) **LOC (7) Cl. 14-03**

(52) **U.S. Cl. D14/138**

(58) **Field of Search** D14/137, 138,
D14/218, 147-148, 247-248, 144, 341-347;
379/433.01-433.13, 419, 434, 428.01-428.04,
420.01-420.04, 440; 455/550-575, 90;
D21/517

(56) **References Cited**

U.S. PATENT DOCUMENTS

D394,433 S	*	5/1998	Lindeman et al.	D14/138
D411,536 S	*	6/1999	Page et al.	D14/137
D415,149 S	*	10/1999	Vuolteenaho et al.	D14/138
6,006,074 A	*	12/1999	De Larminat et al.	455/90
D421,435 S	*	3/2000	Haase et al.	D14/137
D425,057 S	*	5/2000	Finkbeiner	D14/138
D432,509 S	*	10/2000	Webb et al.	D14/138
D434,742 S	*	12/2000	Elkins et al.	D14/138
D440,951 S	*	4/2001	Kolinen	D14/138
D445,102 S	*	7/2001	Lai	D14/138
D446,200 S	*	8/2001	Ko	D14/138

D448,355 S	*	9/2001	Higashi et al.	D14/138
D450,671 S	*	11/2001	Langford et al.	D14/138
D453,150 S	*	1/2002	Murray	D14/138
D454,549 S	*	3/2002	Vuolteenaho et al.	D14/138
D455,413 S	*	4/2002	Lee	D14/138
D456,375 S	*	4/2002	Vuolteenaho et al.	D14/138
D459,325 S	*	6/2002	Nakahara	D14/138
D459,711 S	*	7/2002	Lee	D14/138
D461,174 S	*	8/2002	Ruohonen	D14/138

OTHER PUBLICATIONS

Hague Database Search Page [http://
guest:guest@ipdl.wipo.int/en/search/hag/
search-bool2.html], Document DM/060743, Jul. 18, 2002.*

* cited by examiner

Primary Examiner—Jeffrey Asch

(74) *Attorney, Agent, or Firm*—Banner & Witcoff, Ltd.

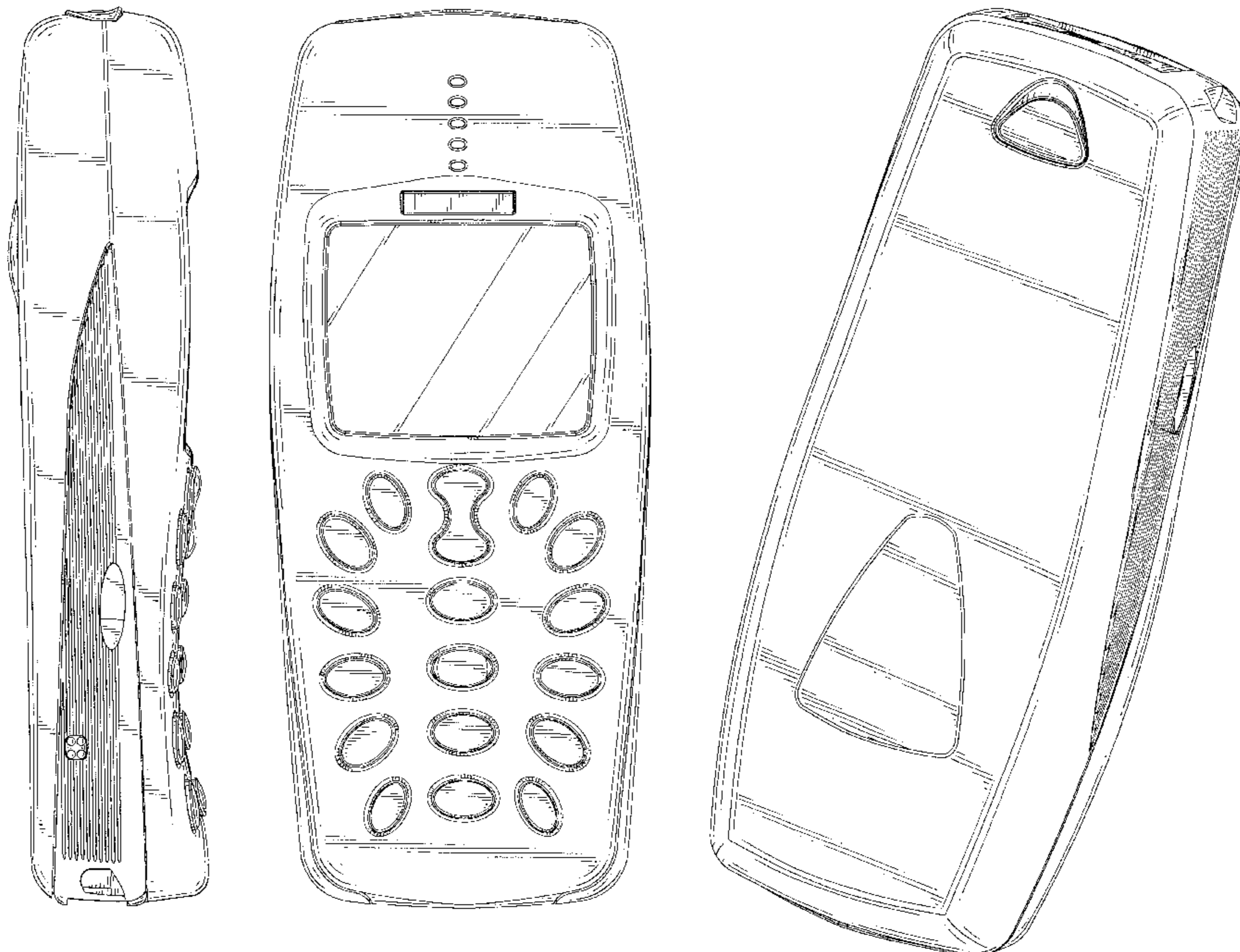
(57) **CLAIM**

The ornamental design for a handset, as shown and described.

DESCRIPTION

FIG. 1 is a top plan view of a handset showing my new design;
FIG. 2 is a left side view thereof;
FIG. 3 is a front view thereof;
FIG. 4 is a right side view thereof;
FIG. 5 is a bottom plan view thereof;
FIG. 6 is a perspective front view thereof;
FIG. 7 is a perspective rear view thereof; and,
FIG. 8 is a rear view thereof.

1 Claim, 6 Drawing Sheets



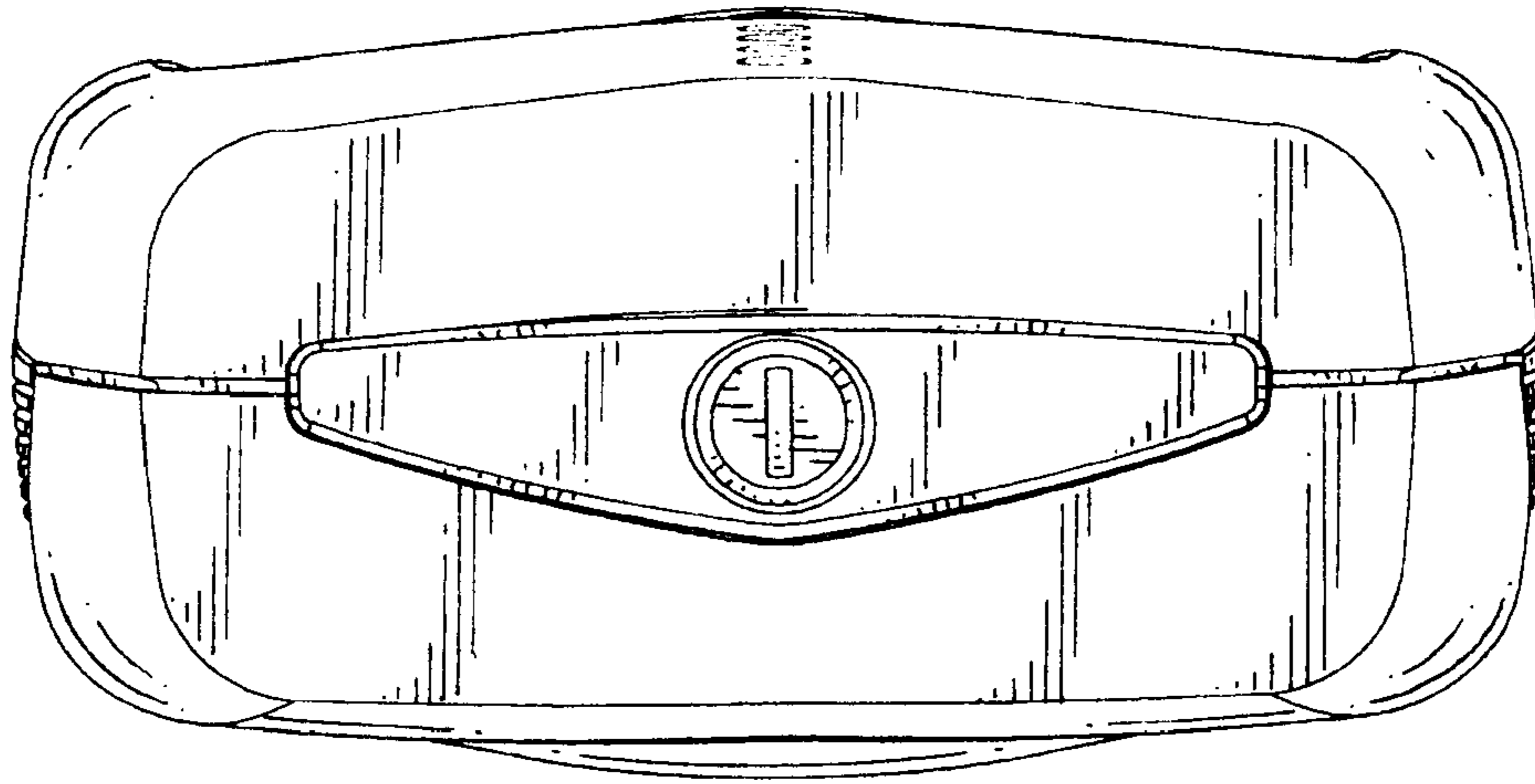


FIG. 1

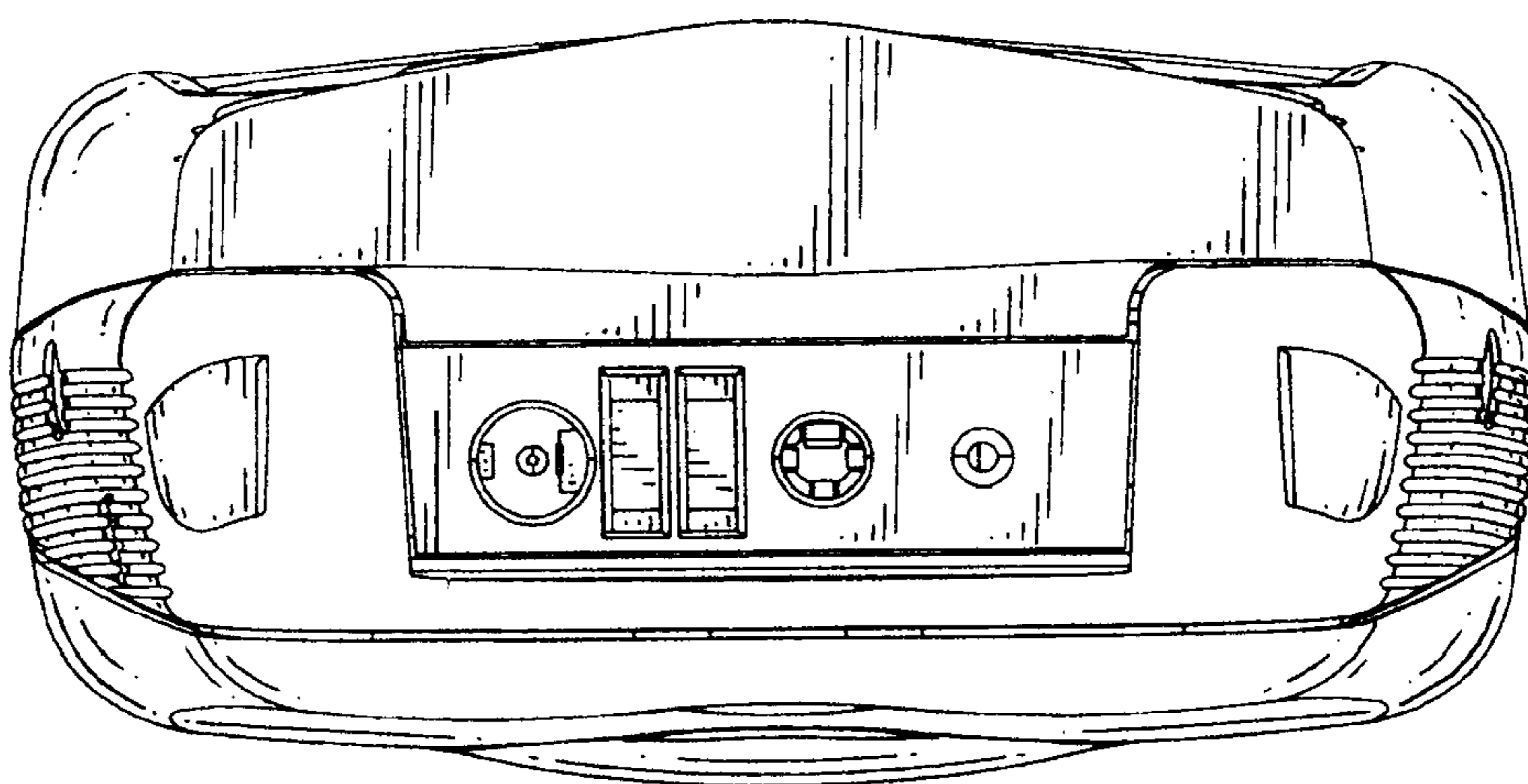


FIG. 5

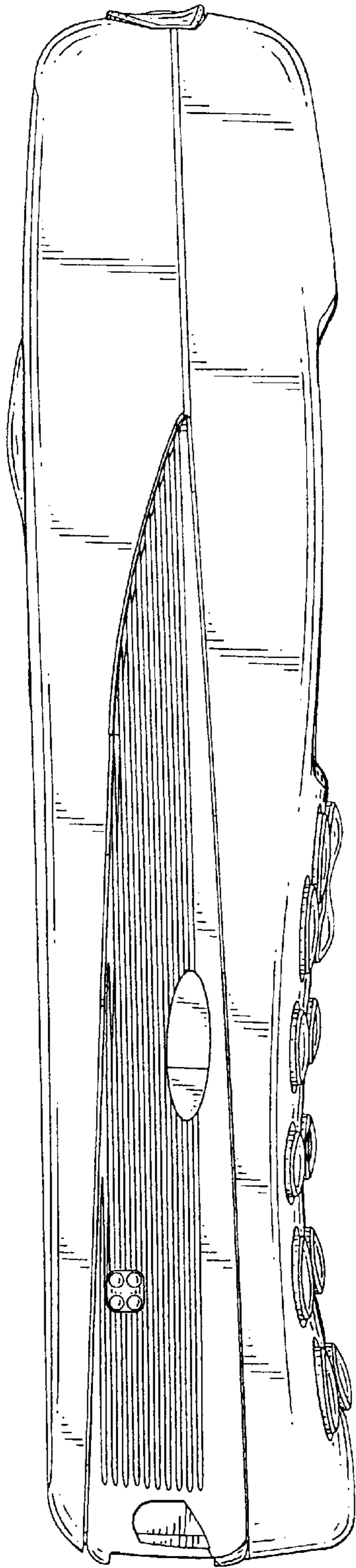


FIG. 2

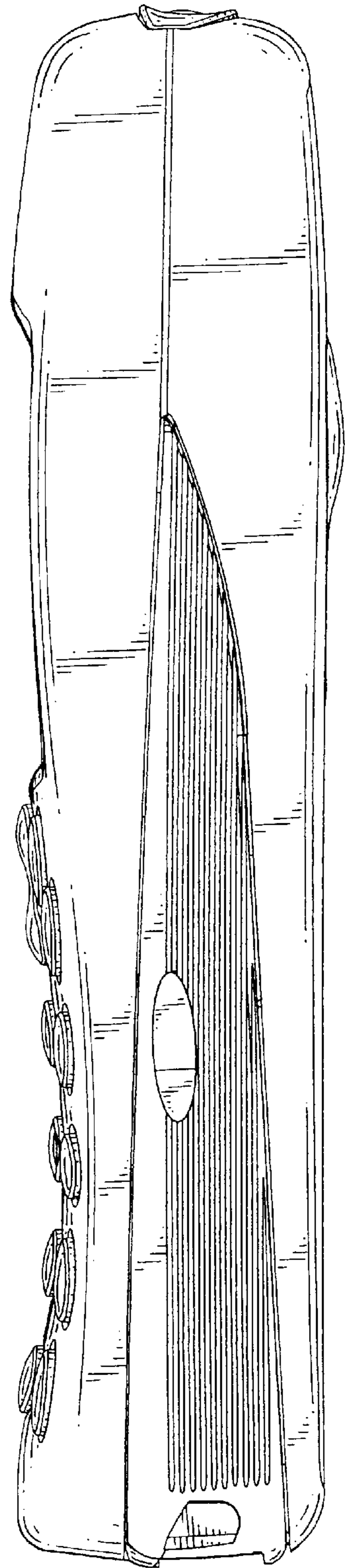


FIG. 4

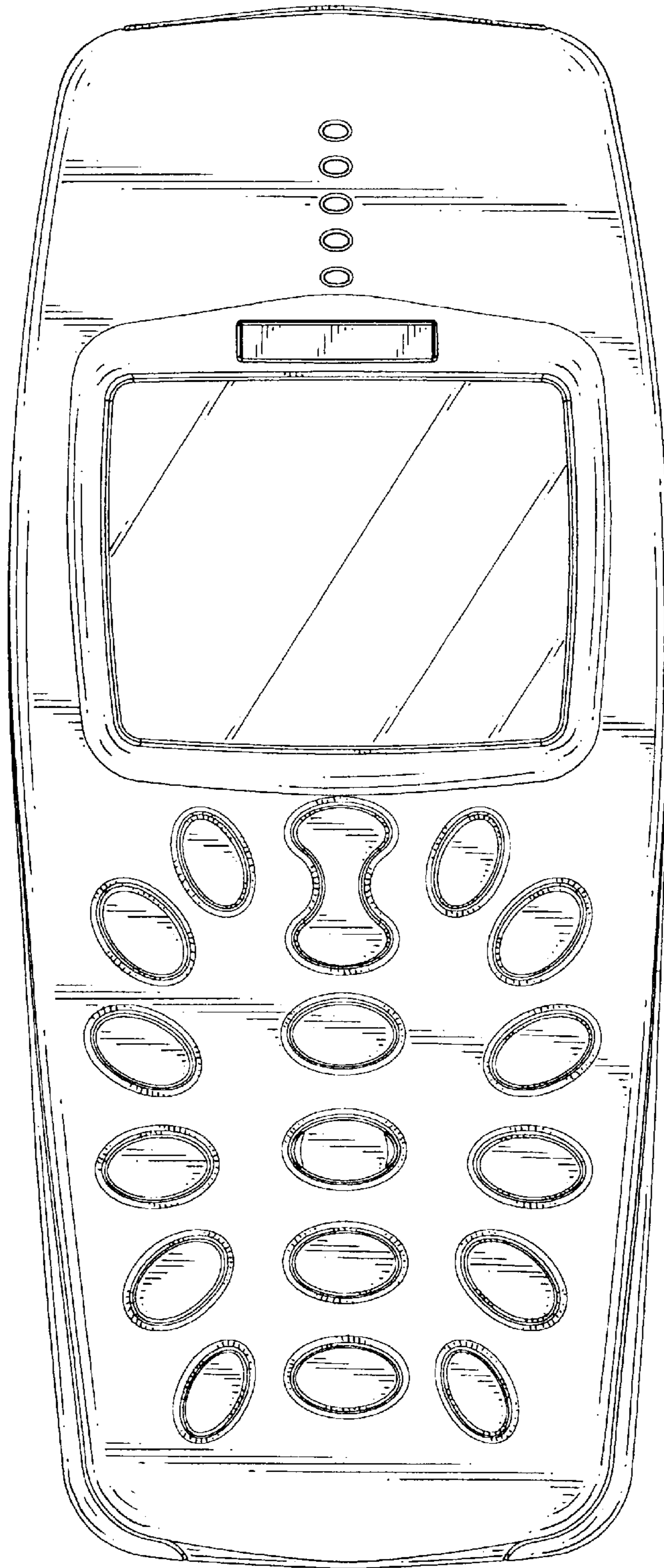


FIG.3

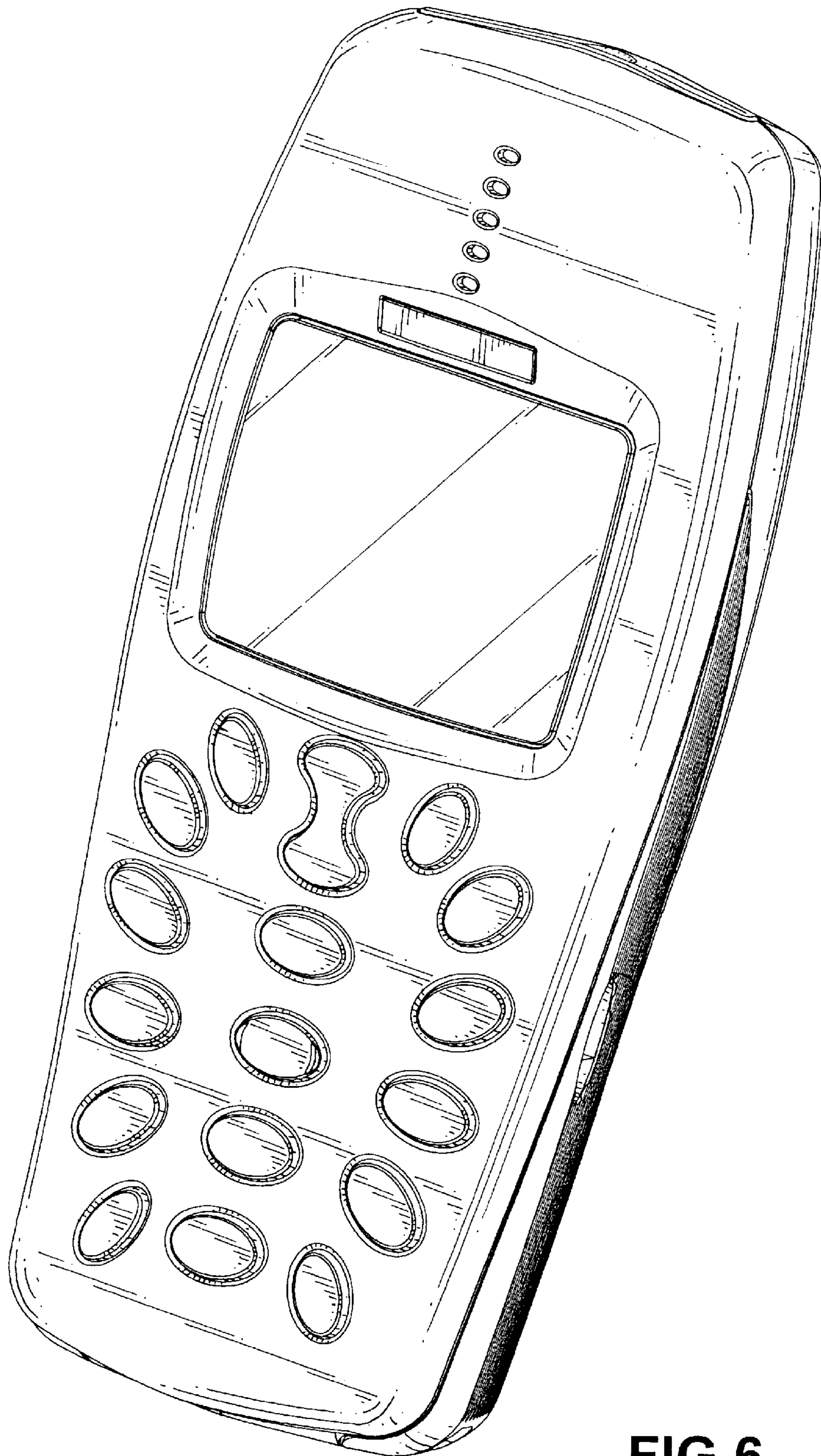


FIG.6

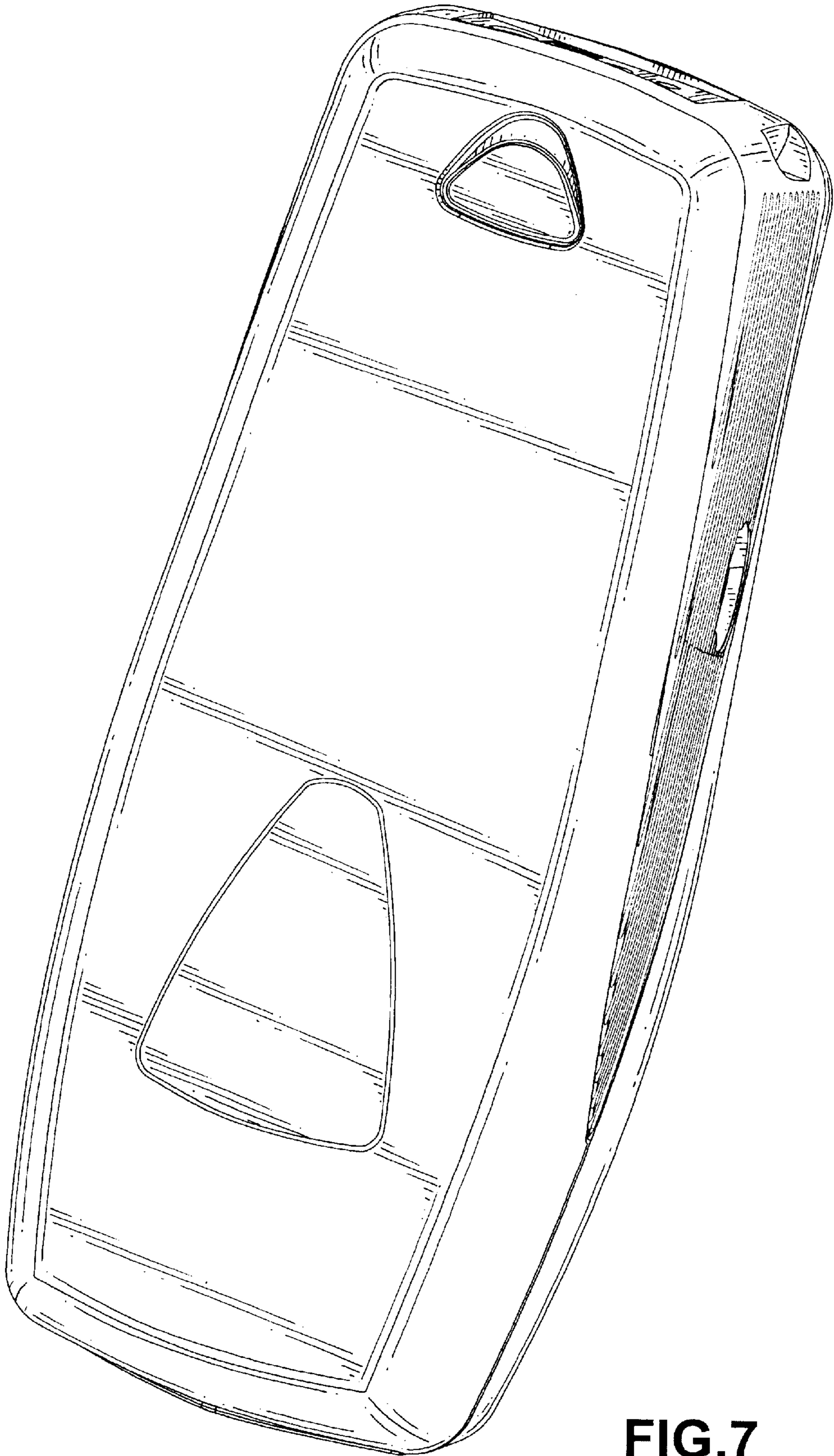


FIG.7

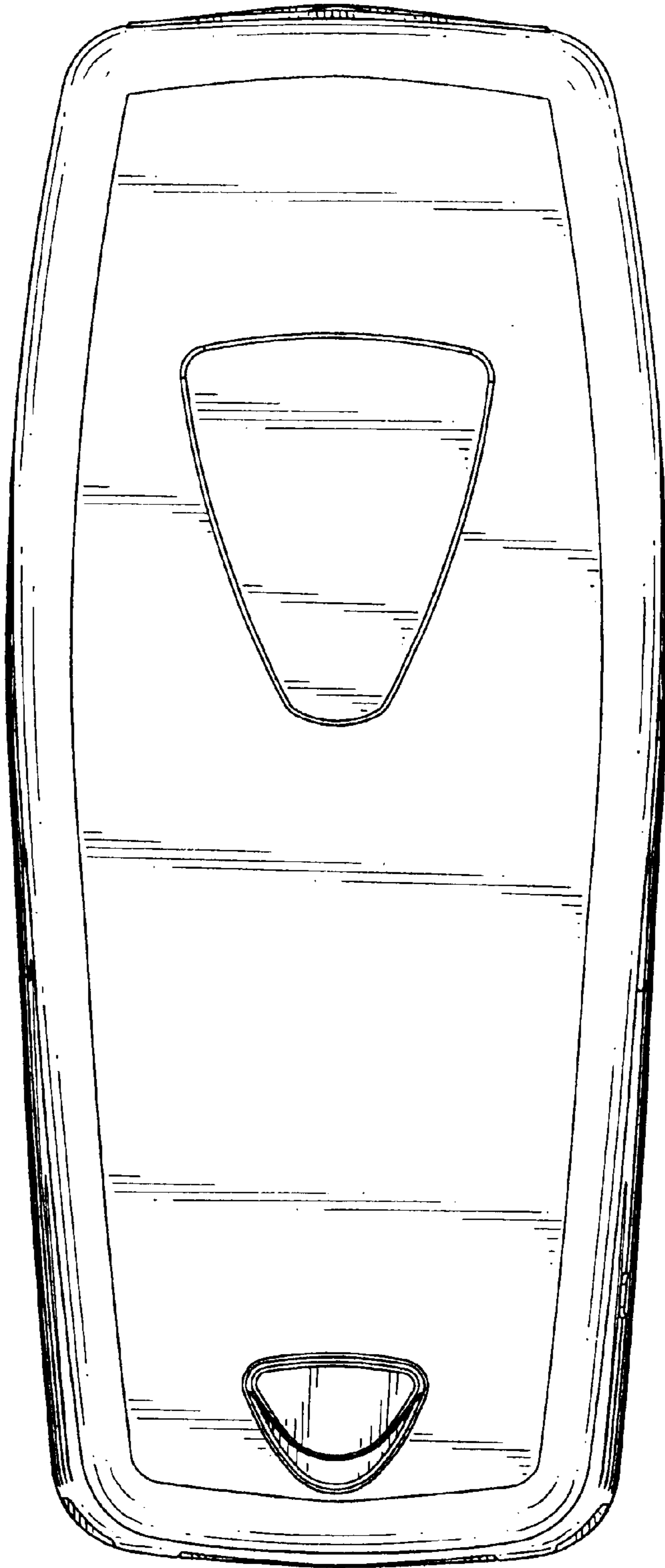


FIG.8