



US00D481688S

(12) **United States Design Patent**
Lee et al.

(10) **Patent No.: US D481,688 S**
(45) **Date of Patent: ** Nov. 4, 2003**

(54) **HEAT SINK**

(75) Inventors: **Hsieh Kun Lee**, Tu-chen (TW);
WanLin Xia, Shenzhen (CN); **Gencai Wang**, Shenzhen (CN); **Tao Li**, Shenzhen (CN)

(73) Assignee: **Hon Hai Precision Ind. Co., Ltd.**, Taipei Hsien (TW)

(**) Term: **14 Years**

(21) Appl. No.: **29/172,088**

(22) Filed: **Dec. 4, 2002**

(30) **Foreign Application Priority Data**

Aug. 30, 2002 (CN) 02 3 60996

(51) **LOC (7) Cl.** **13-03**

(52) **U.S. Cl.** **D13/179**

(58) **Field of Search** D13/179; 165/80.3, 165/104.14, 104.33, 121, 122, 180, 185; 174/16.3, 52.4; 206/713, 714, 715, 716, 727, 728; 257/706, 707, 718, 719, 720, 721, 727, 686; 361/271, 274.3, 697, 702, 704, 709, 710, 711

(56) **References Cited**

U.S. PATENT DOCUMENTS

4,715,438 A	*	12/1987	Gabuzda et al.	165/185
5,943,209 A	*	8/1999	Liu	361/695
D428,857 S	*	8/2000	Wagner et al.	D13/179
6,152,214 A	*	11/2000	Wagner	165/121
6,330,908 B1	*	12/2001	Lee et al.	165/185
6,336,499 B1	*	1/2002	Liu	165/80.3

* cited by examiner

Primary Examiner—Ted Shooman
Assistant Examiner—Selina Sikder
(74) *Attorney, Agent, or Firm*—Wei Te Chung

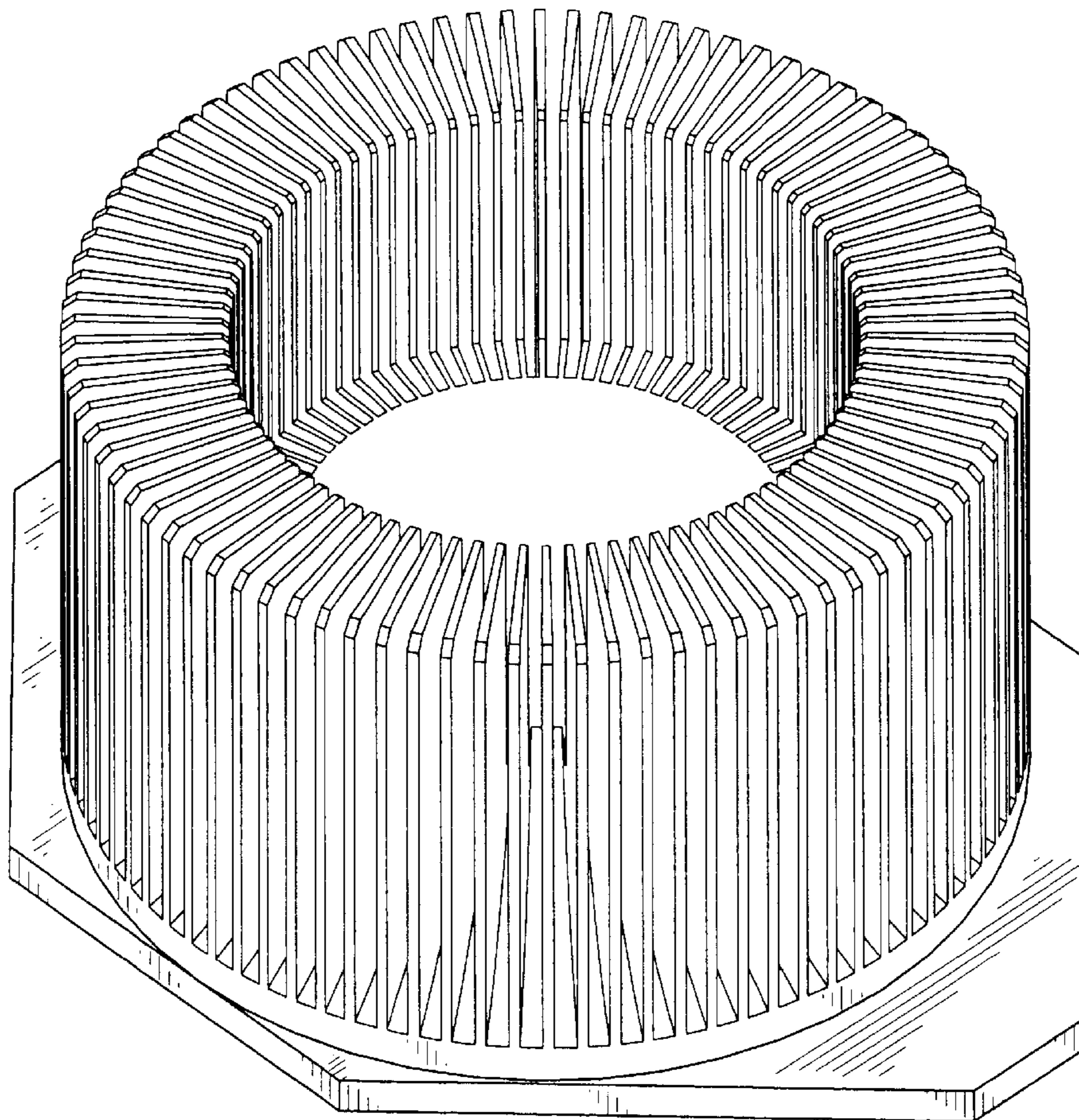
(57) **CLAIM**

The ornamental design for a heat sink, as shown.

DESCRIPTION

FIG. 1 is a perspective view of a heat sink of our new design; FIG. 2 is a front elevational view thereof; FIG. 3 is a rear elevational view thereof; FIG. 4 is a left side elevational view thereof; FIG. 5 is a right side elevational view thereof; FIG. 6 is a top plan view thereof; and, FIG. 7 is a bottom plan view thereof.

1 Claim, 7 Drawing Sheets



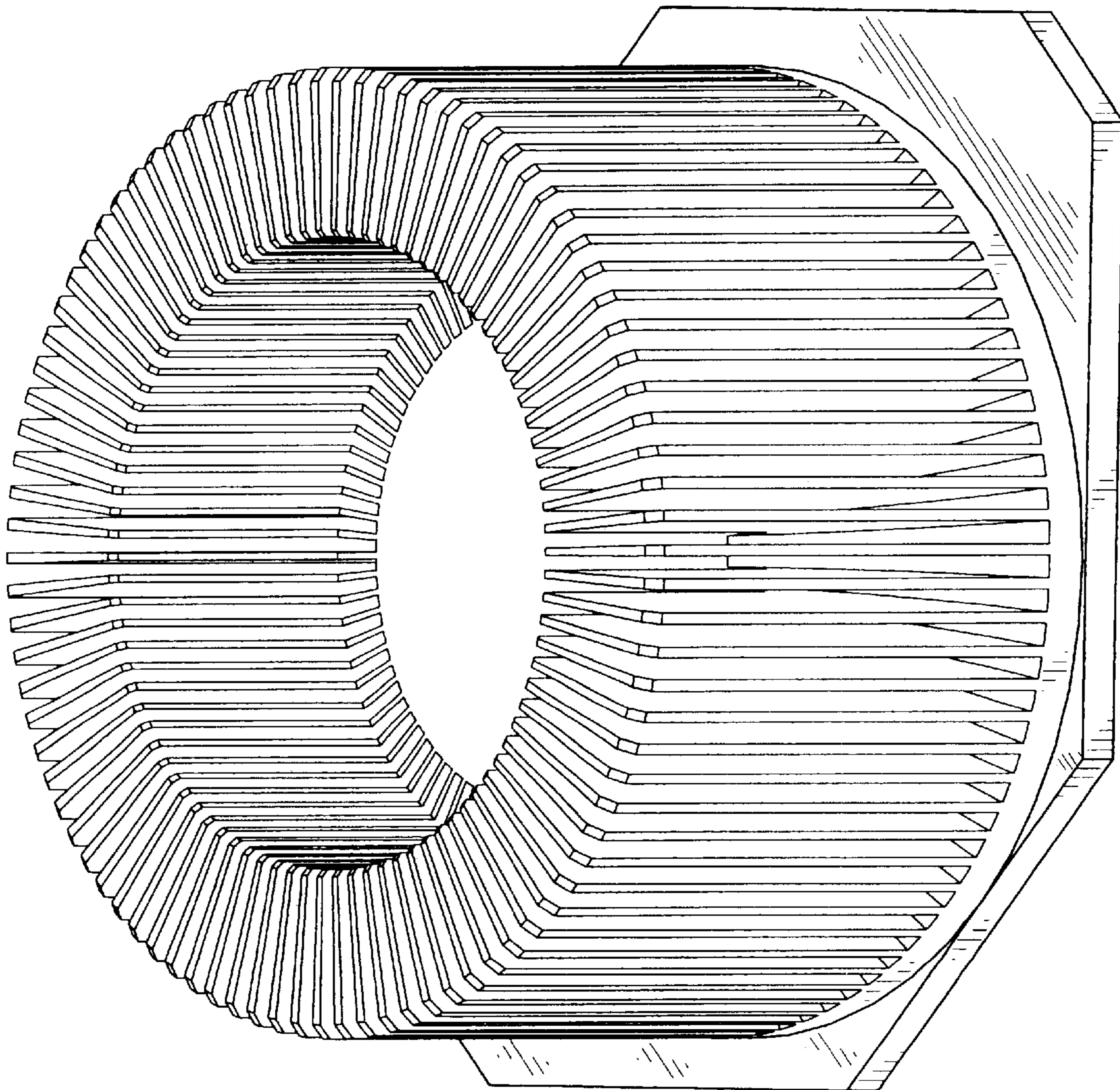


FIG. 1

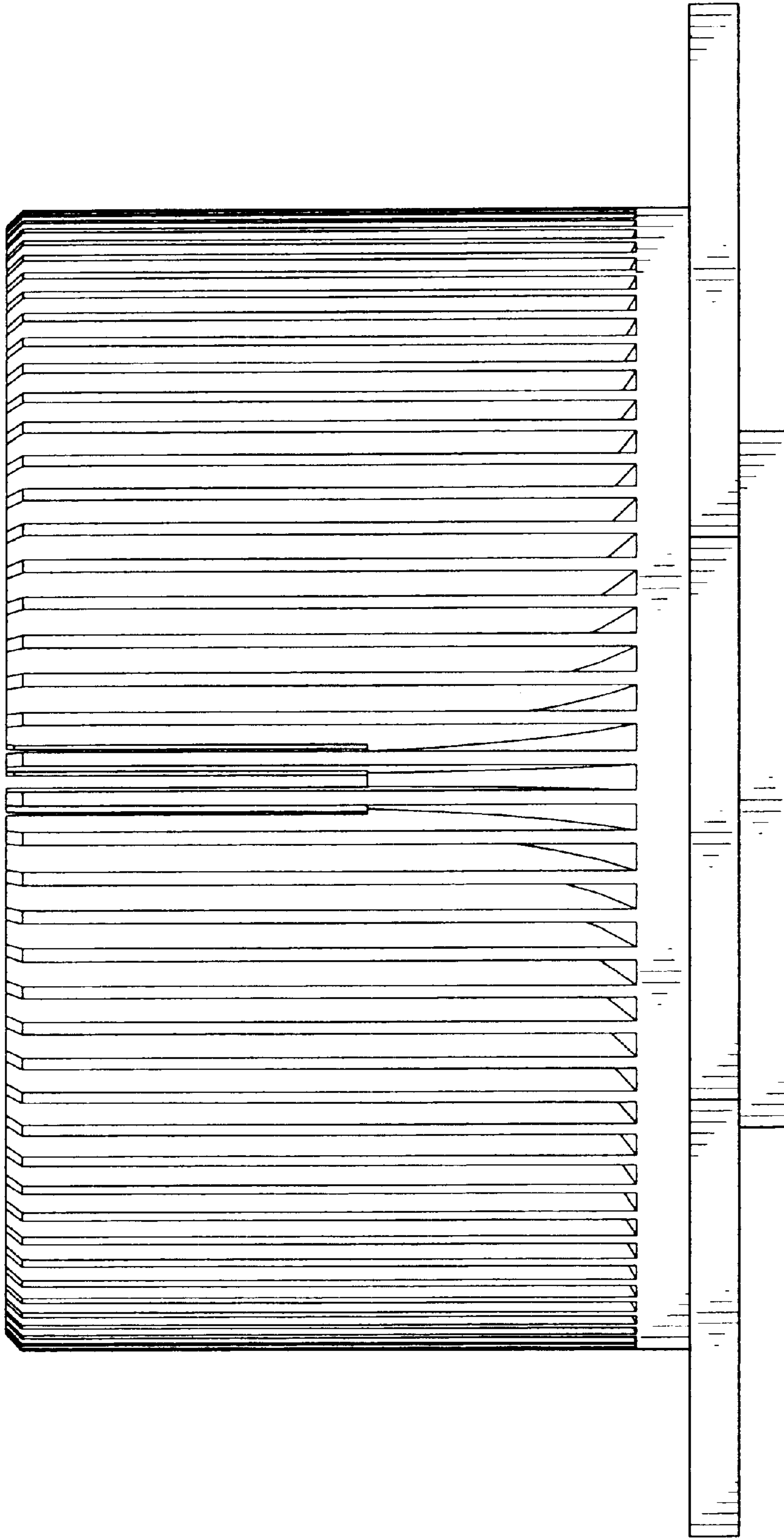


FIG. 2

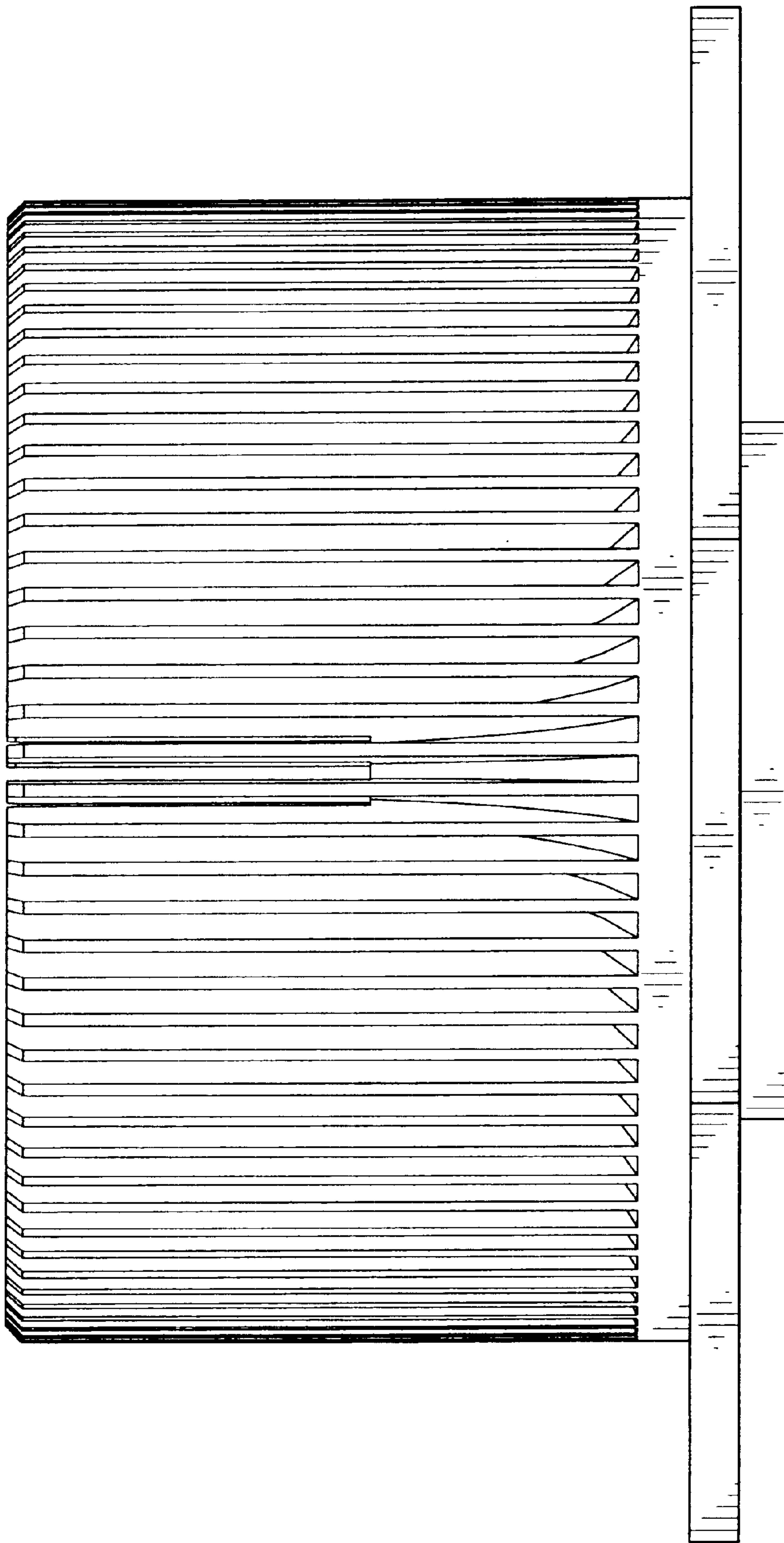


FIG. 3

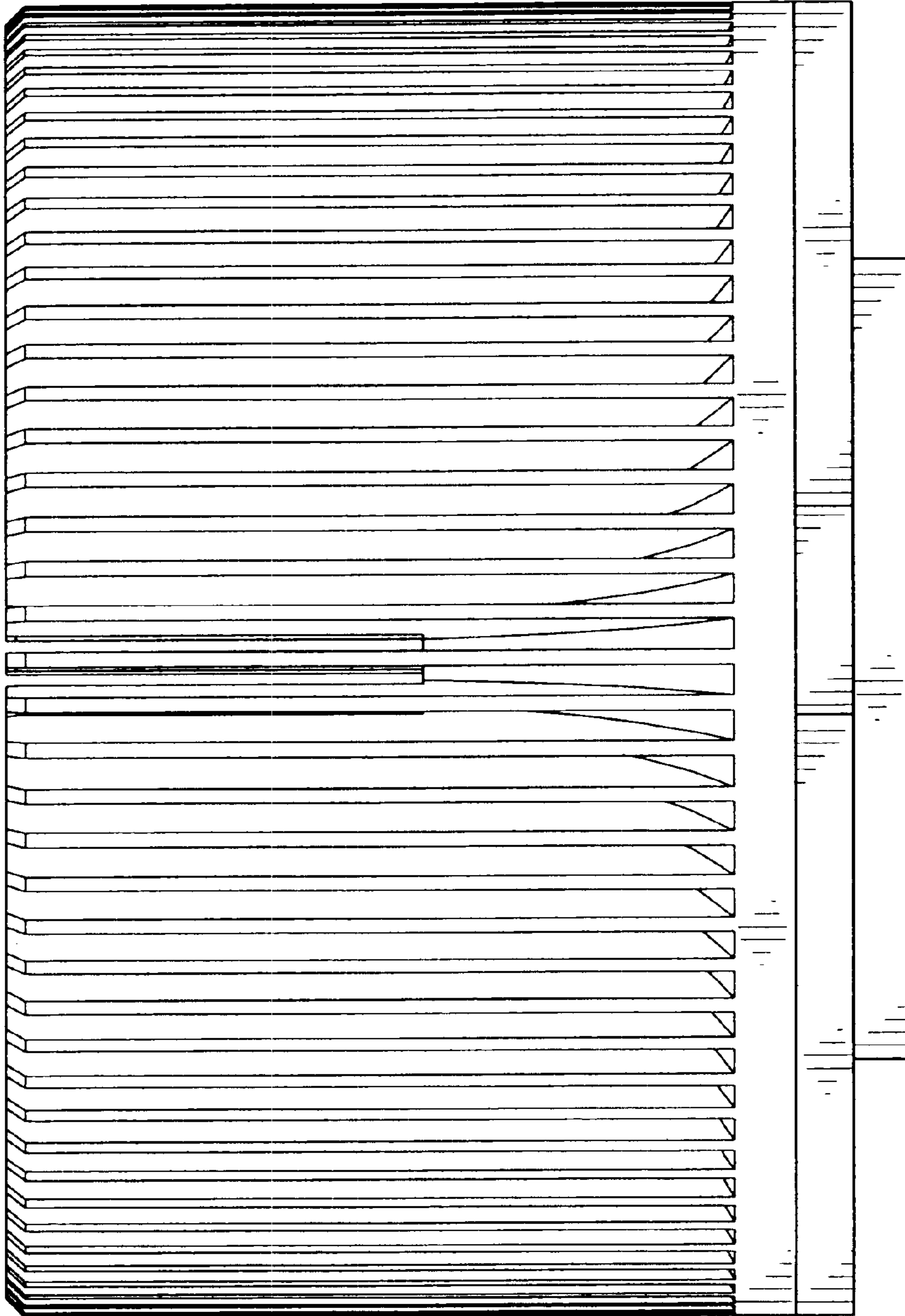


FIG. 4

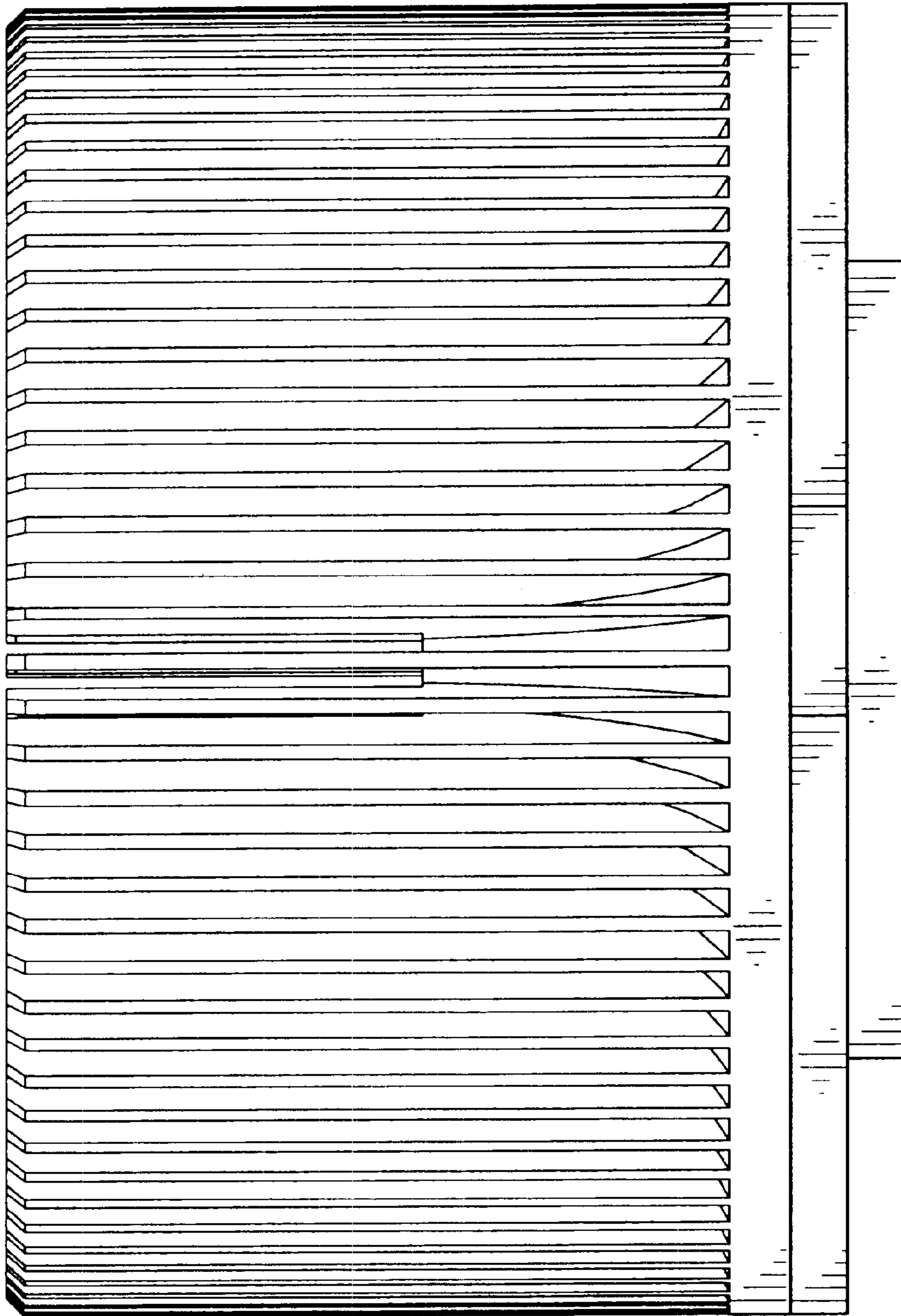


FIG. 5

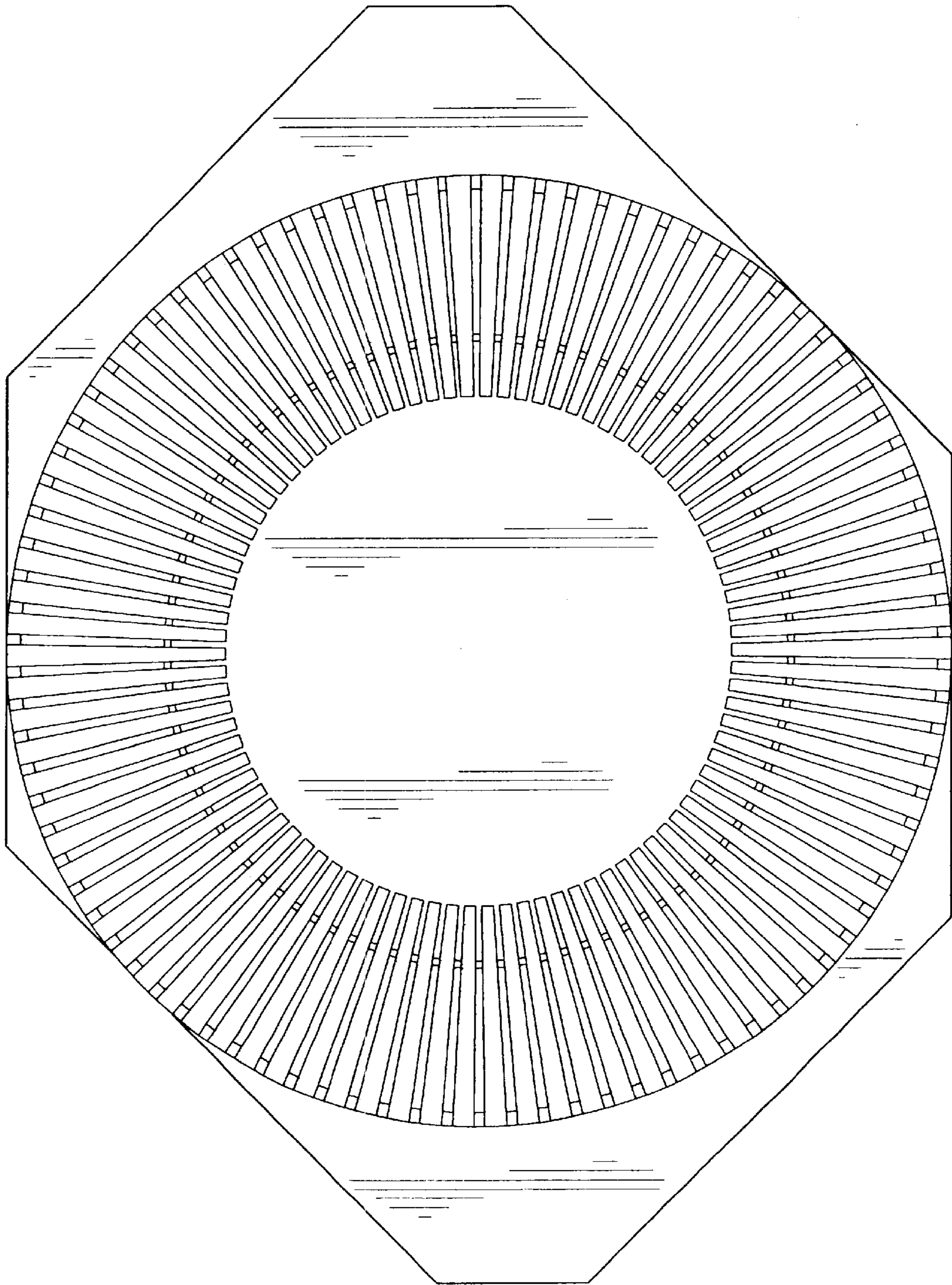


FIG. 6

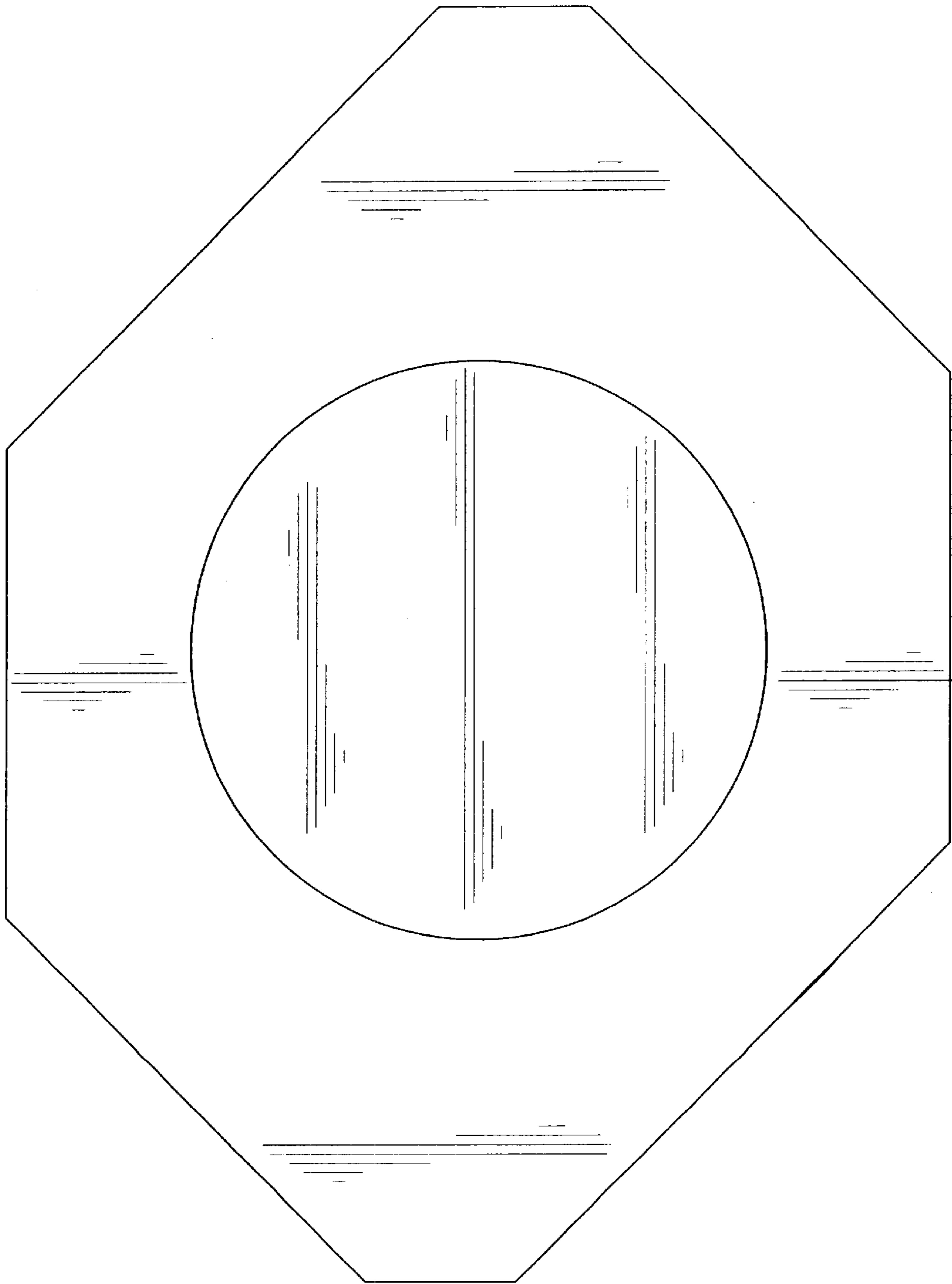


FIG. 7