



US00D481687S

(12) **United States Design Patent**
Moriya et al.

(10) **Patent No.:** **US D481,687 S**

(45) **Date of Patent:** **** Nov. 4, 2003**

(54) **PUSH BUTTON SWITCH**

D330,012 S * 10/1992 Takahashi et al. D13/162
D402,966 S * 12/1998 Lim D13/168

(75) Inventors: **Toshio Moriya**, Saitama (JP); **Tatsuji Yoshihara**, Kanagawa (JP)

* cited by examiner

(73) Assignee: **Kasuga Electric Works, Ltd.**, Tokyo (JP)

Primary Examiner—Ted Shooman

Assistant Examiner—Selina Sikder

(**) Term: **14 Years**

(74) *Attorney, Agent, or Firm*—Stevens, Davis, Miller & Mosher, LLP

(21) Appl. No.: **29/150,799**

(57) **CLAIM**

(22) Filed: **Nov. 30, 2001**

The ornamental design for a push button switch, as shown and described.

(30) **Foreign Application Priority Data**

DESCRIPTION

Jun. 20, 2001 (JP) 2001-017981

(51) **LOC (7) Cl.** **13-03**

(52) **U.S. Cl.** **D13/171**

(58) **Field of Search** D13/168, 171;
D8/60, 61; 200/5 R, 5 E, 293, 277.1, 277.2,
296, 302.2, 302.3, 313, 314, 315, 317,
329, 332.1

FIG. 1 is a front perspective view of a push button switch according to our novel design;

FIG. 2 is a rear perspective view of a push button switch according to our novel design;

FIG. 3 is a front view of a push button switch according to our novel design;

FIG. 4 is a rear view of a push button switch according to our novel design;

FIG. 5 is a left side view of a push button switch according to our novel design;

FIG. 6 is a right side view of a push button switch according to our novel design;

FIG. 7 is a bottom plan view of a push button switch according to our novel design; and,

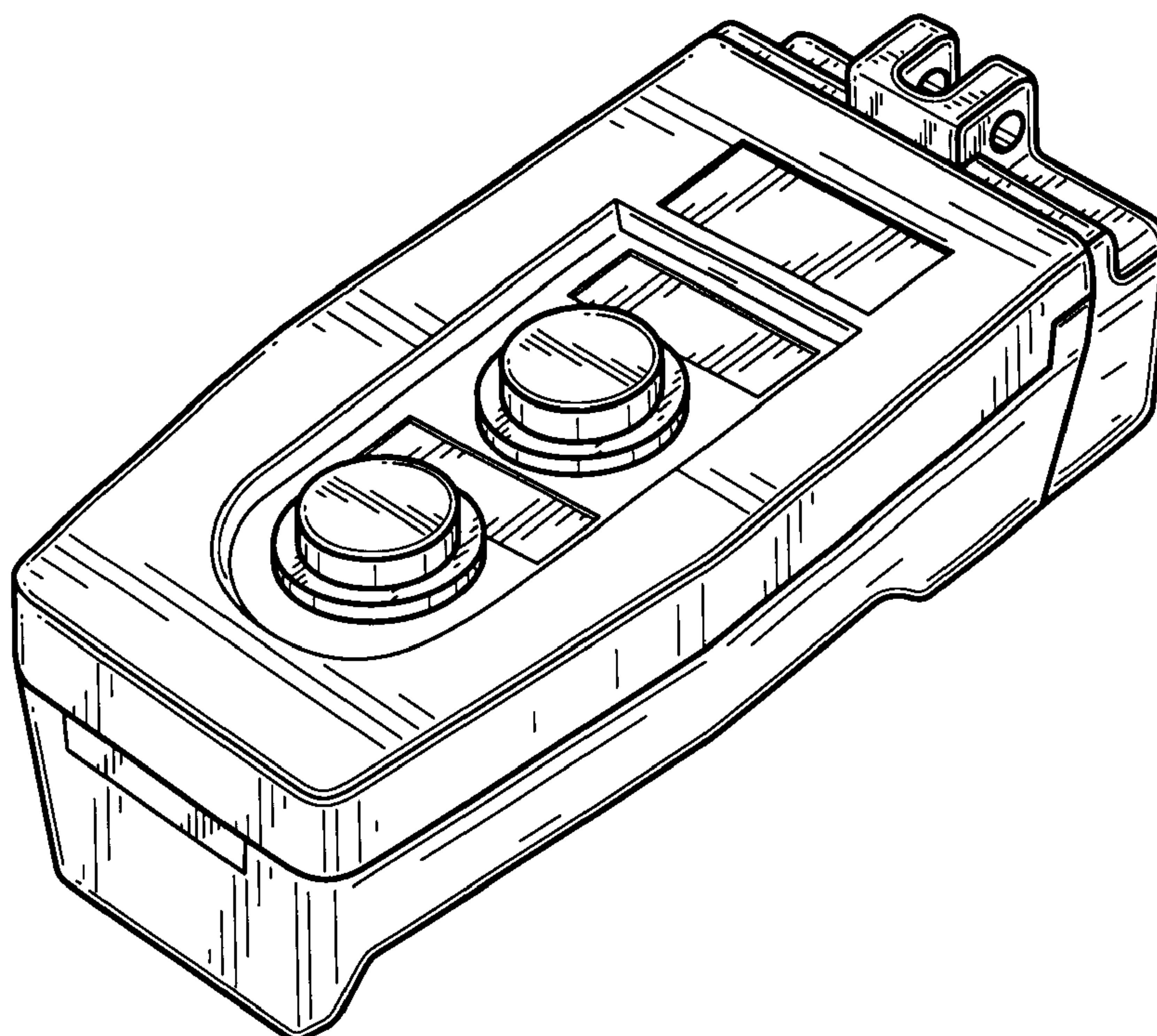
FIG. 8 is a top plan view of a push button switch according to our novel design.

(56) **References Cited**

U.S. PATENT DOCUMENTS

D180,453 S * 6/1957 Parker et al. D13/168
D195,407 S * 6/1963 Scott D13/168
3,126,467 A * 3/1964 Stevens, Jr. 200/302.2
D224,540 S * 8/1972 Garnett D13/168
D263,299 S * 3/1982 Jacobs D13/168
D270,441 S * 9/1983 Moldenhauer D13/168
4,532,393 A * 7/1985 Koizumi et al. 200/343
4,772,765 A * 9/1988 Markle et al. 200/1 V

1 Claim, 7 Drawing Sheets



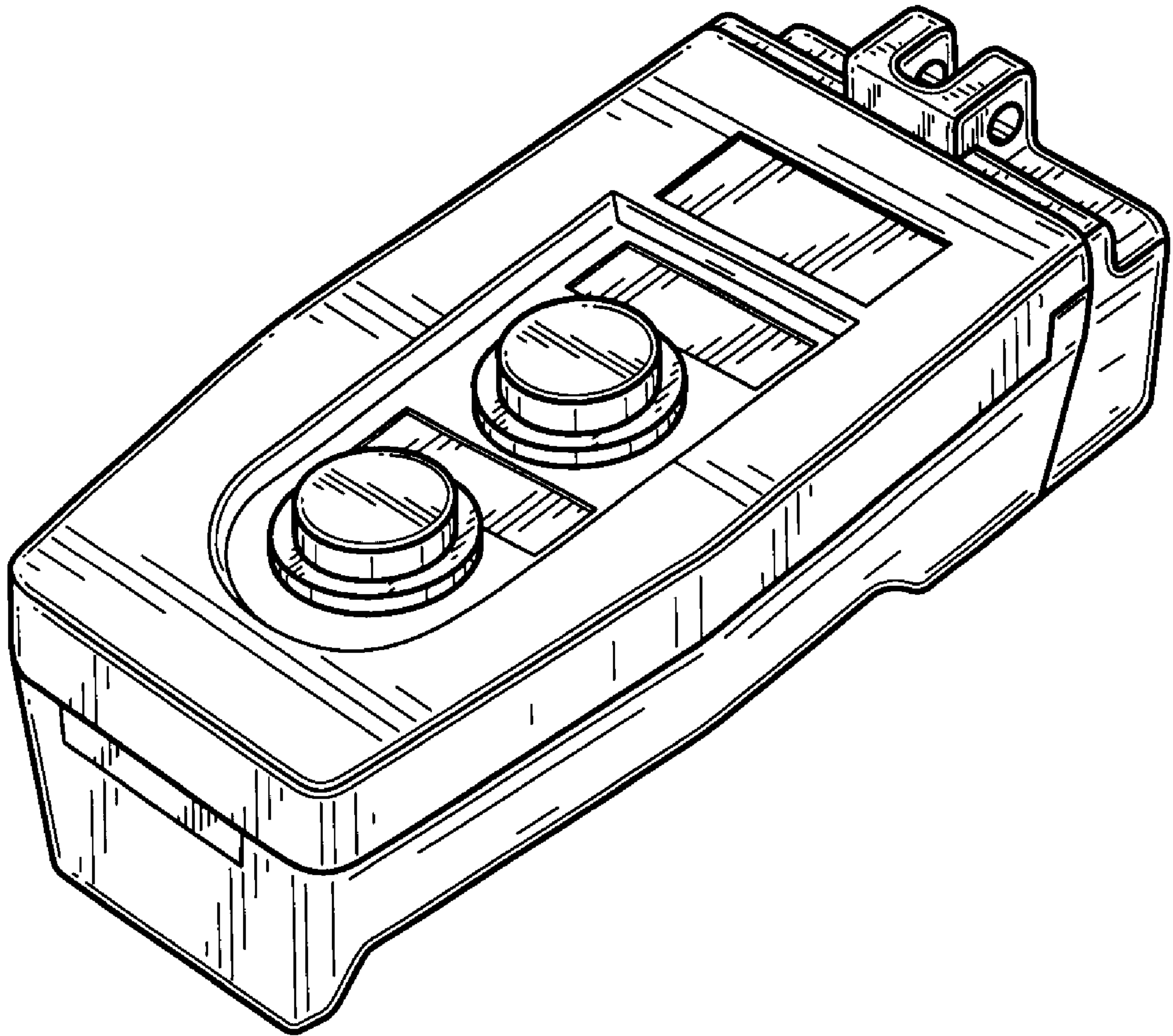


FIG. 1

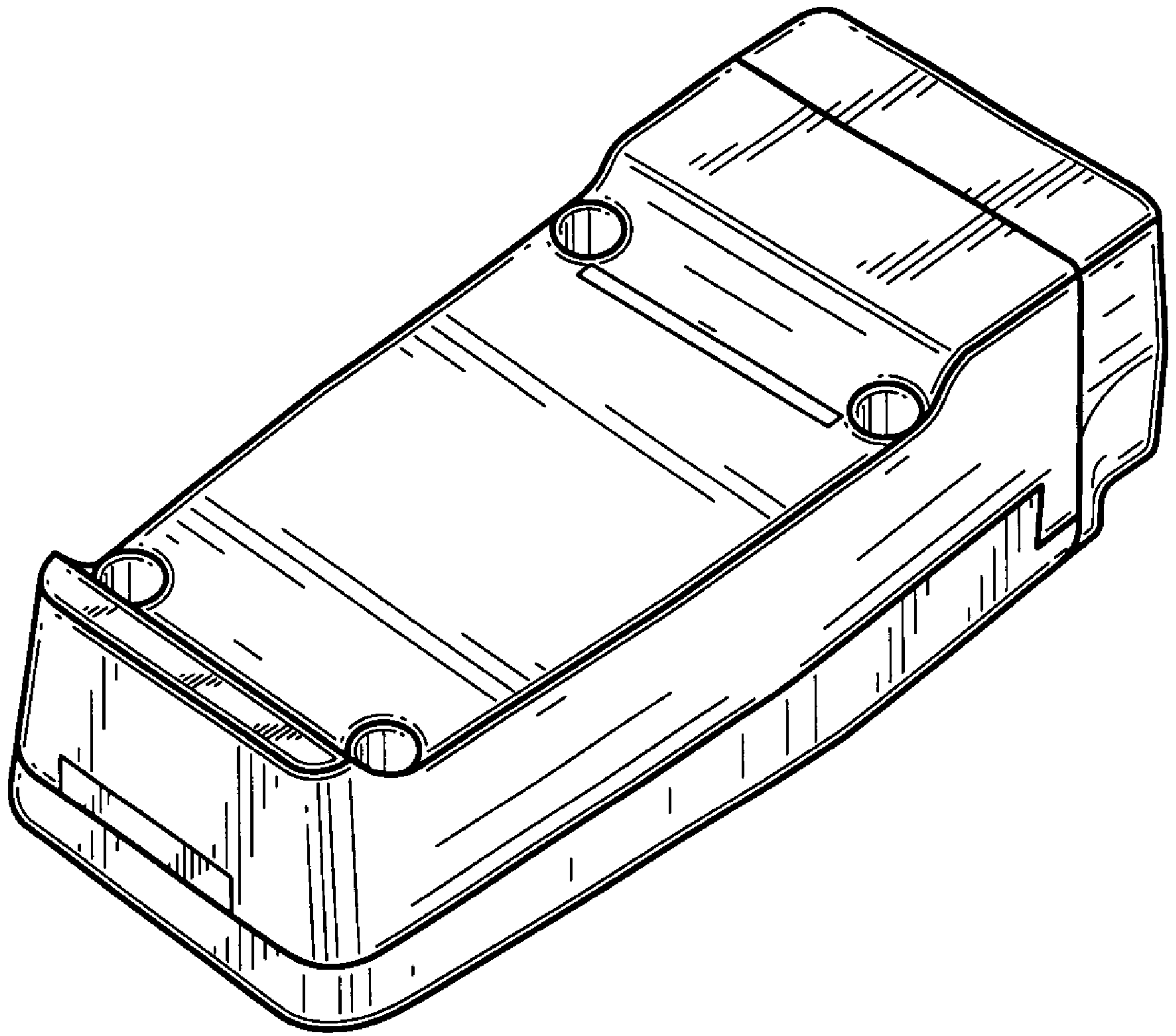


FIG. 2

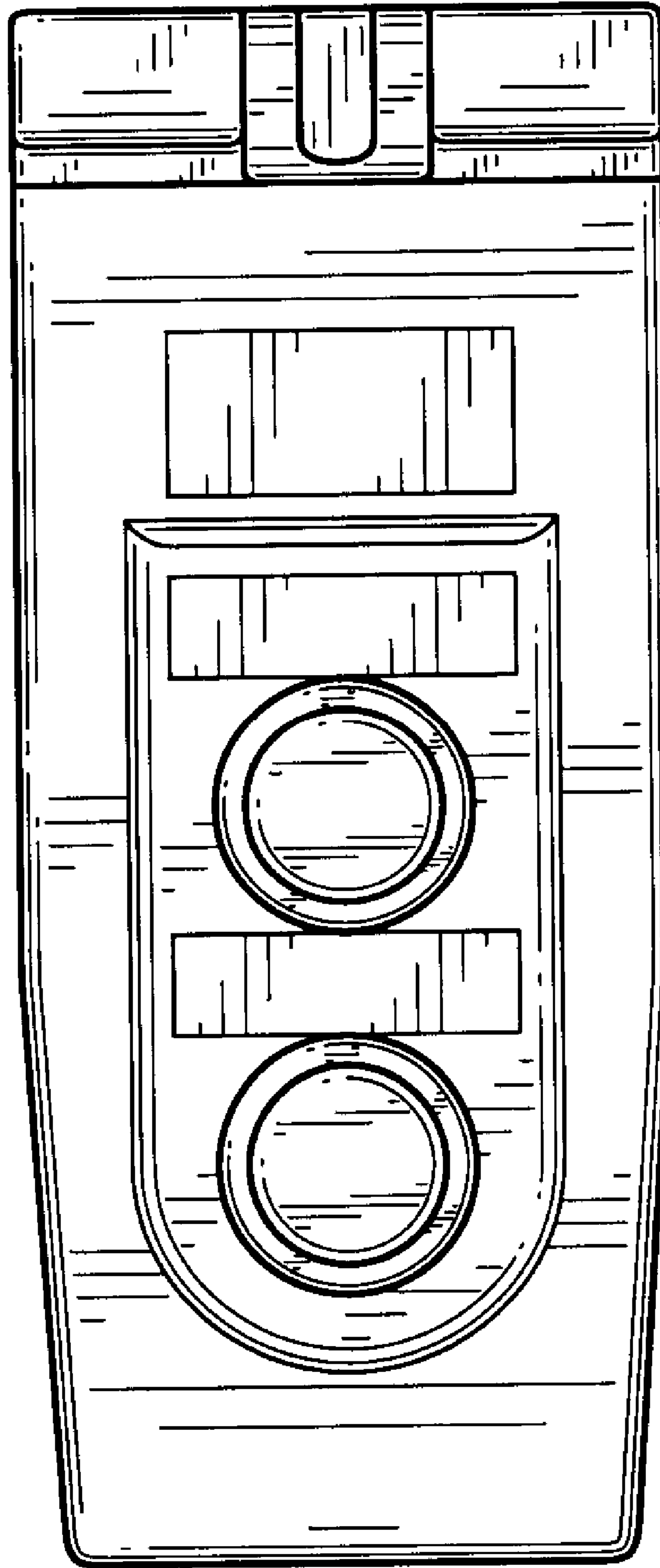


FIG. 3

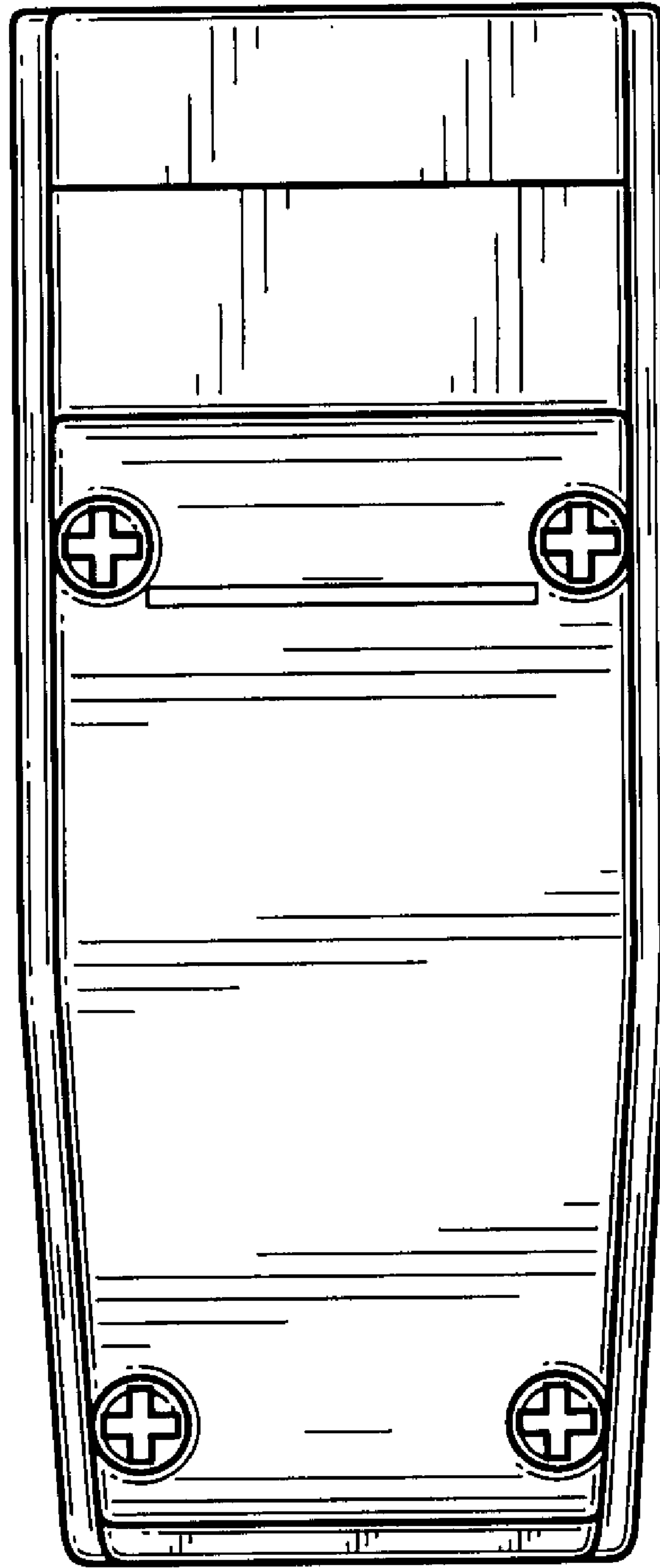


FIG. 4

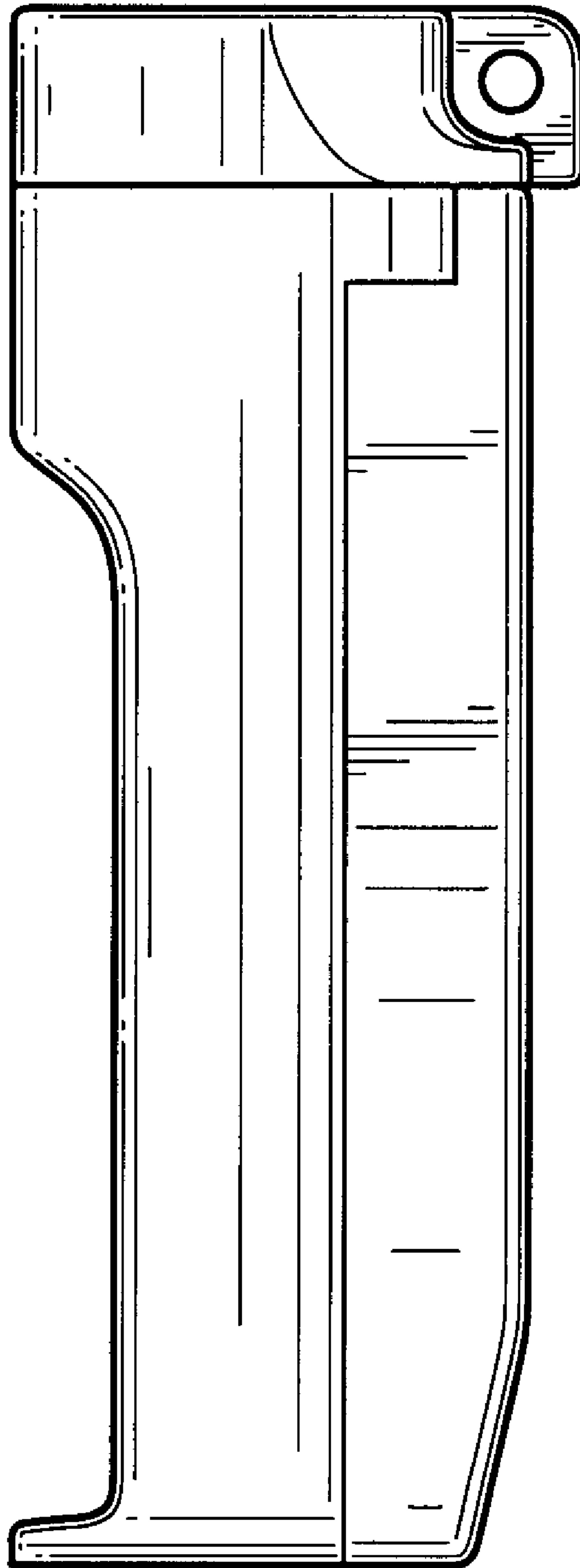


FIG. 5

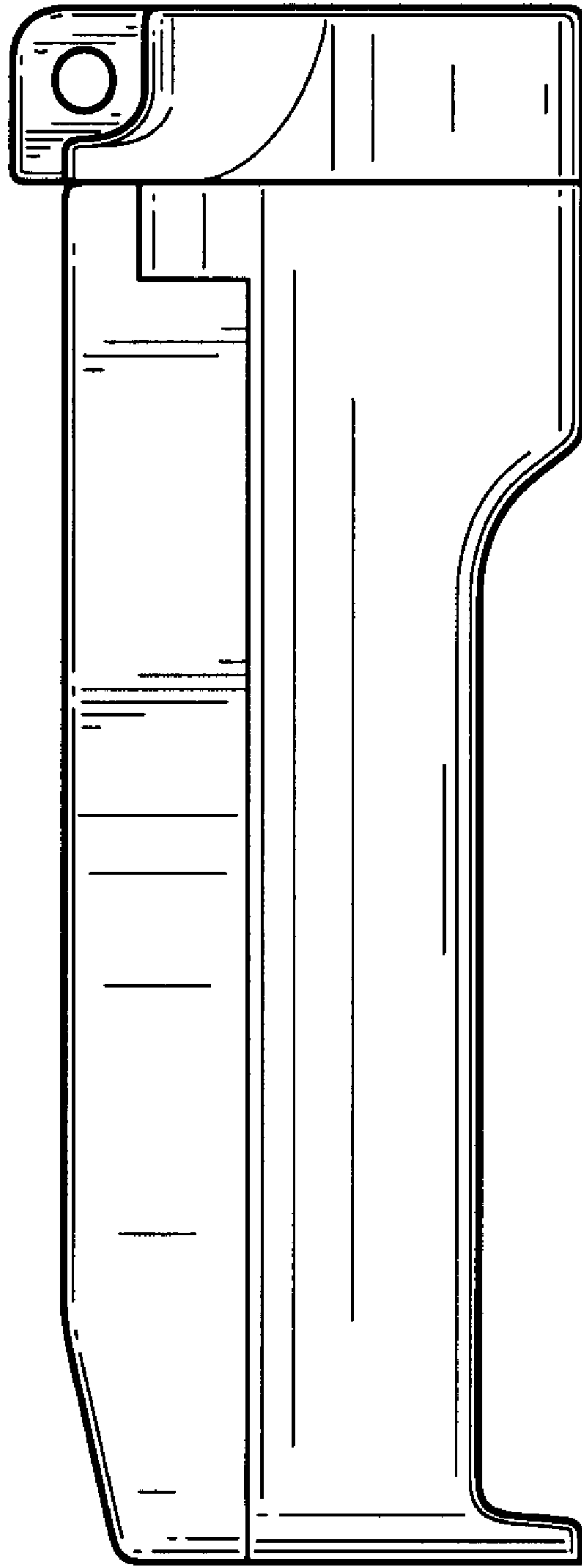


FIG. 6

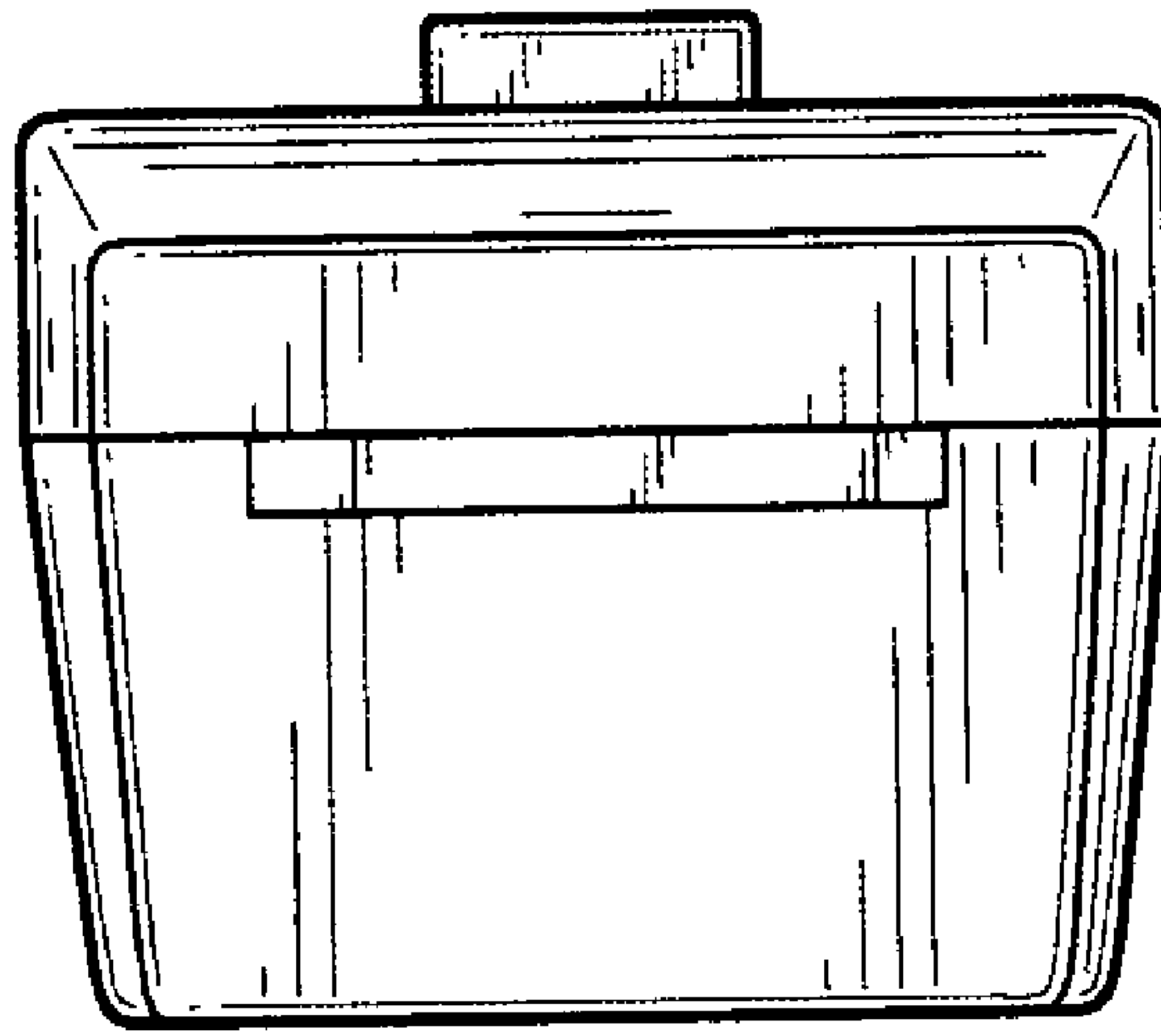


FIG. 7

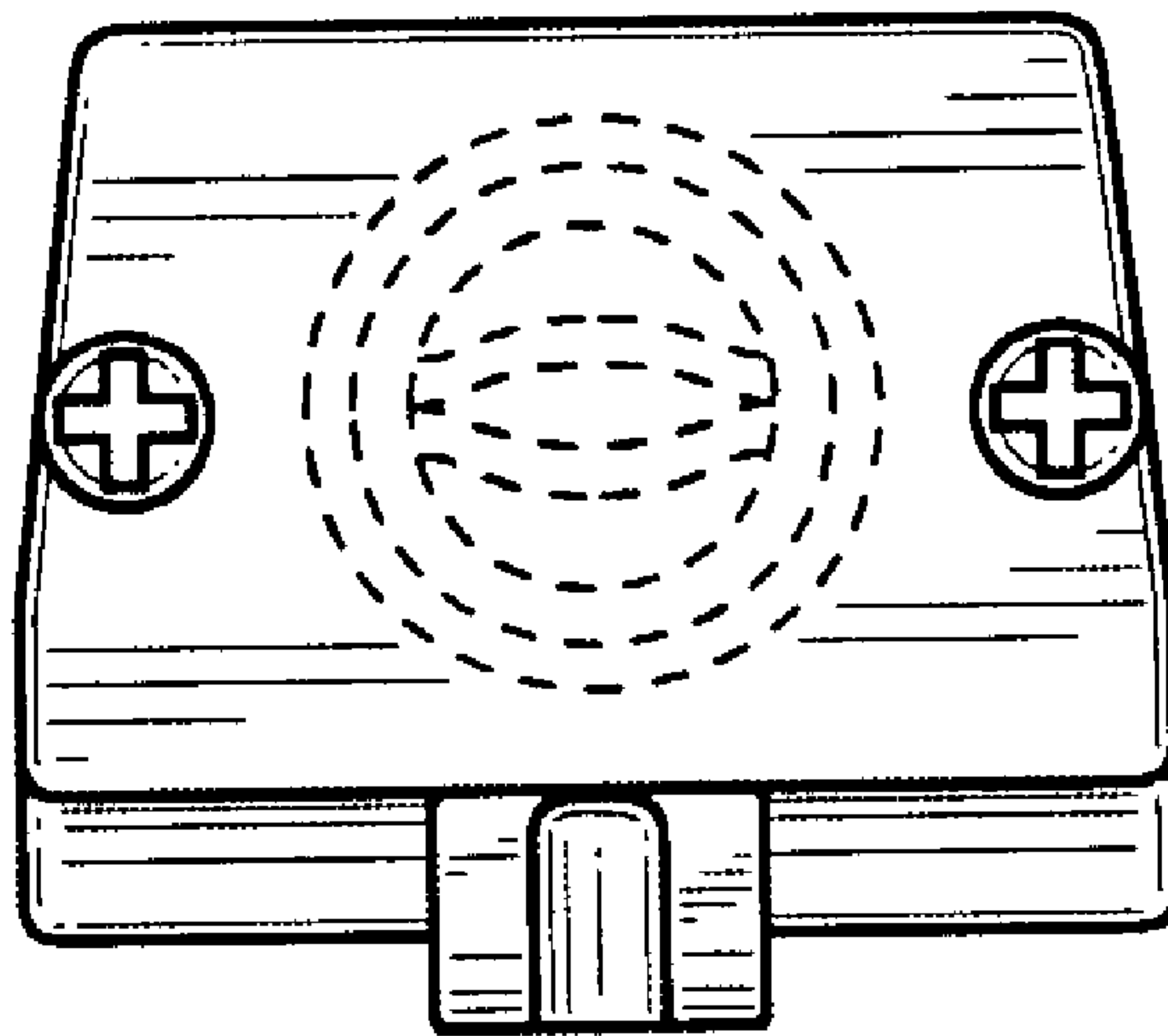


FIG. 8