



US00D481683S

(12) **United States Design Patent**
Lai

(10) **Patent No.:** **US D481,683 S**

(45) **Date of Patent:** **** Nov. 4, 2003**

(54) **CABLE CONNECTOR ASSEMBLY**

(75) Inventor: **Chin-Te Lai, Tu-Chen (TW)**

(73) Assignee: **Hon Hai Precision Ind. Co., Ltd.,
Taipei Hsien (TW)**

(**) Term: **14 Years**

(21) Appl. No.: **29/175,634**

(22) Filed: **Feb. 7, 2003**

(30) **Foreign Application Priority Data**

Jan. 22, 2003 (TW) 092300388 U

(51) **LOC (7) Cl.** **13-03**

(52) **U.S. Cl.** **D13/147**

(58) **Field of Search** D13/147; 439/352,
439/353, 357, 358, 607, 610, 660

(56) **References Cited**

U.S. PATENT DOCUMENTS

5,580,268 A * 12/1996 Miyazawa 439/352
D378,209 S * 2/1997 Morikawa et al. D13/147
5,683,269 A * 11/1997 Davis et al. 439/607
6,039,606 A * 3/2000 Chiou 439/610

D429,484 S * 8/2000 Nishio et al. D13/147
D432,500 S * 10/2000 Nishio et al. D13/147
D434,381 S * 11/2000 Shimojyo D13/147
D434,727 S * 12/2000 Huang D13/147
6,168,476 B1 * 1/2001 Yang 439/696
6,210,231 B1 * 4/2001 Lai 439/610
6,280,252 B1 * 8/2001 Huang 439/610

* cited by examiner

Primary Examiner—Joel Sincavage

(74) *Attorney, Agent, or Firm*—Wei Te Chung

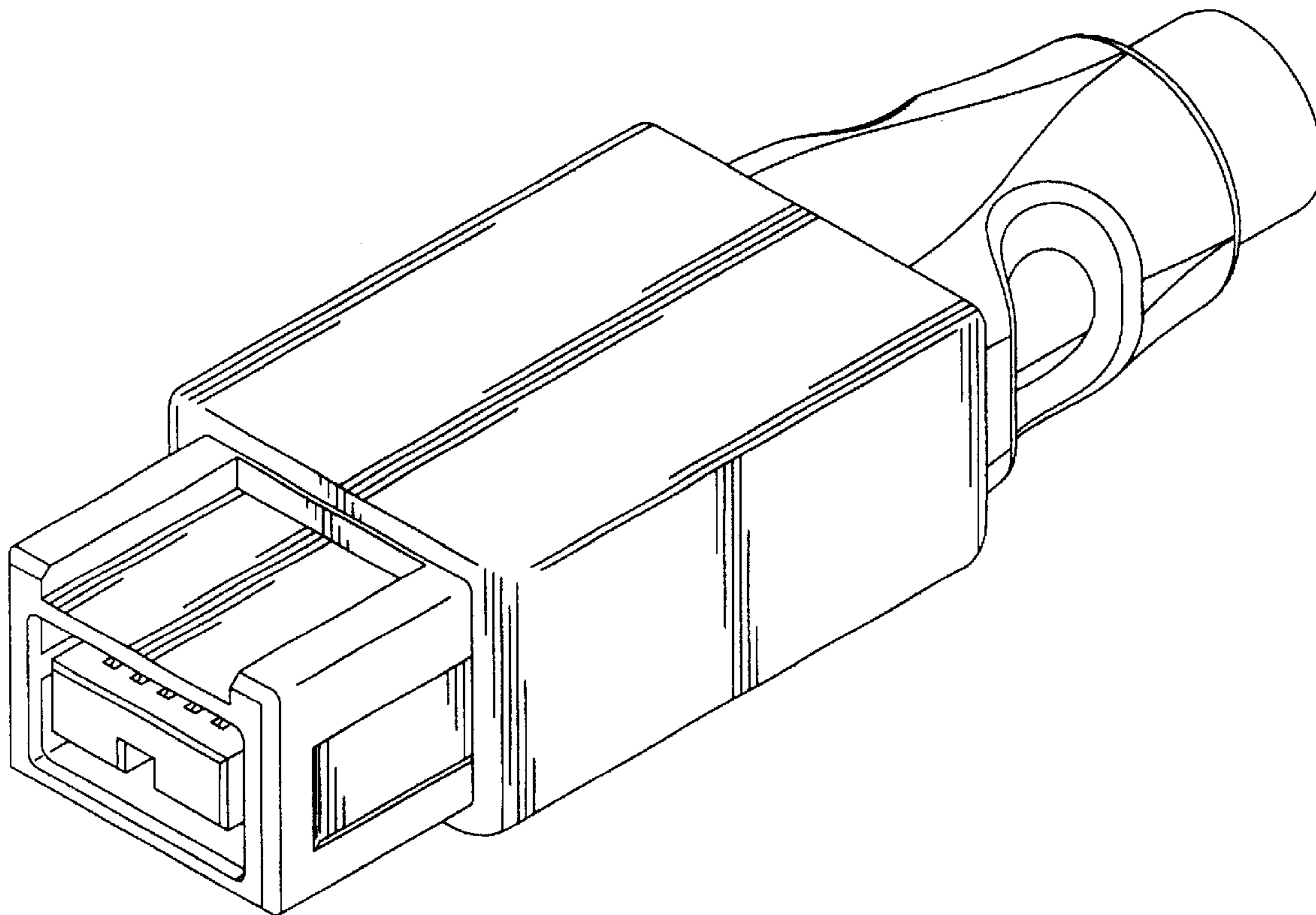
(57) **CLAIM**

The ornamental design for a cable connector assembly, as shown.

DESCRIPTION

FIG. 1 is a front, top and right side perspective view of a cable connector assembly showing my new design; FIG. 2 is a front elevational view of FIG. 1; FIG. 3 is a rear elevational view of FIG. 1; FIG. 4 is a left side elevational view of FIG. 1; FIG. 5 is a right side elevational view of FIG. 1; FIG. 6 is a top plan view of FIG. 1; and, FIG. 7 is a bottom plan view of FIG. 1.

1 Claim, 7 Drawing Sheets



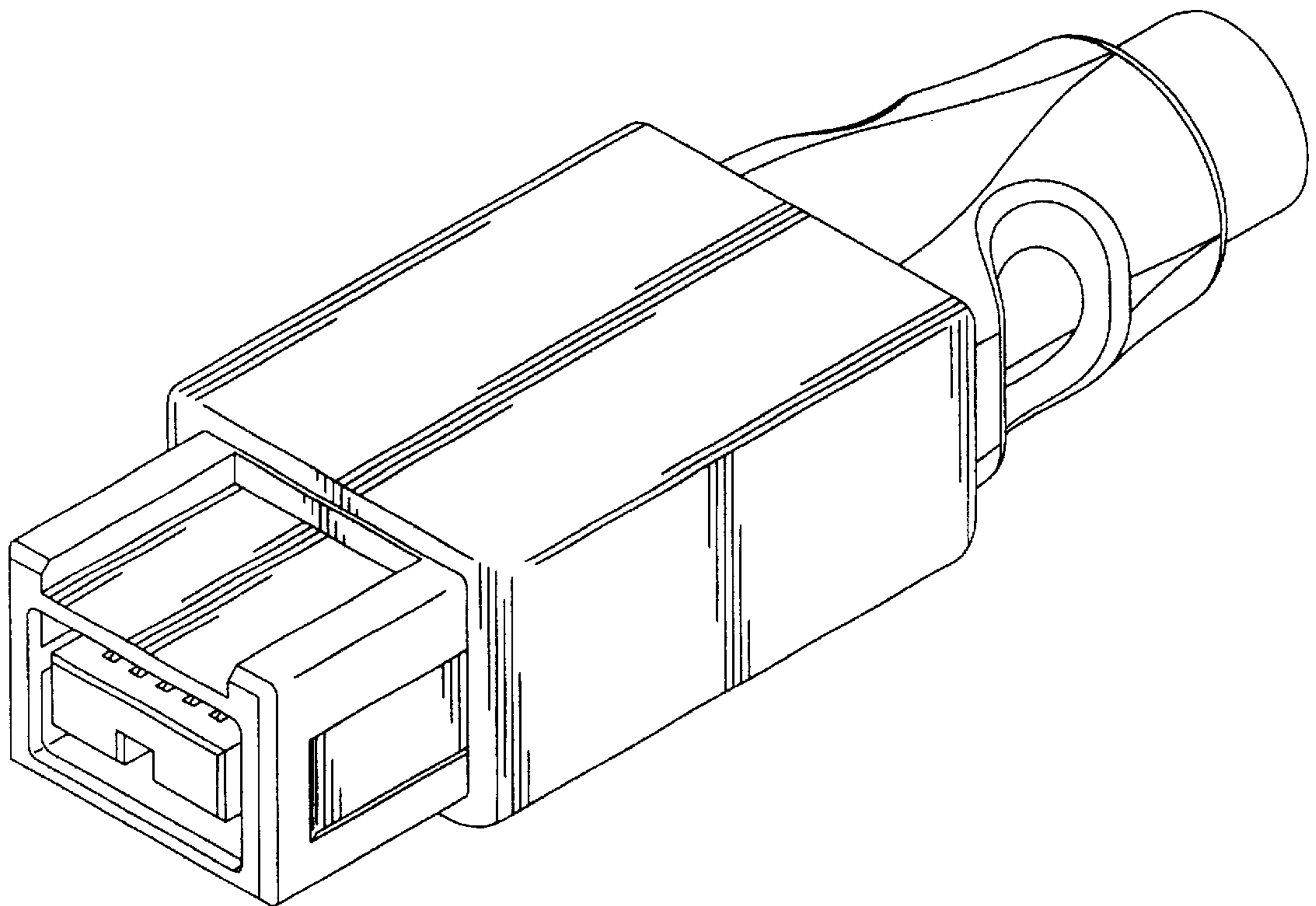


FIG. 1

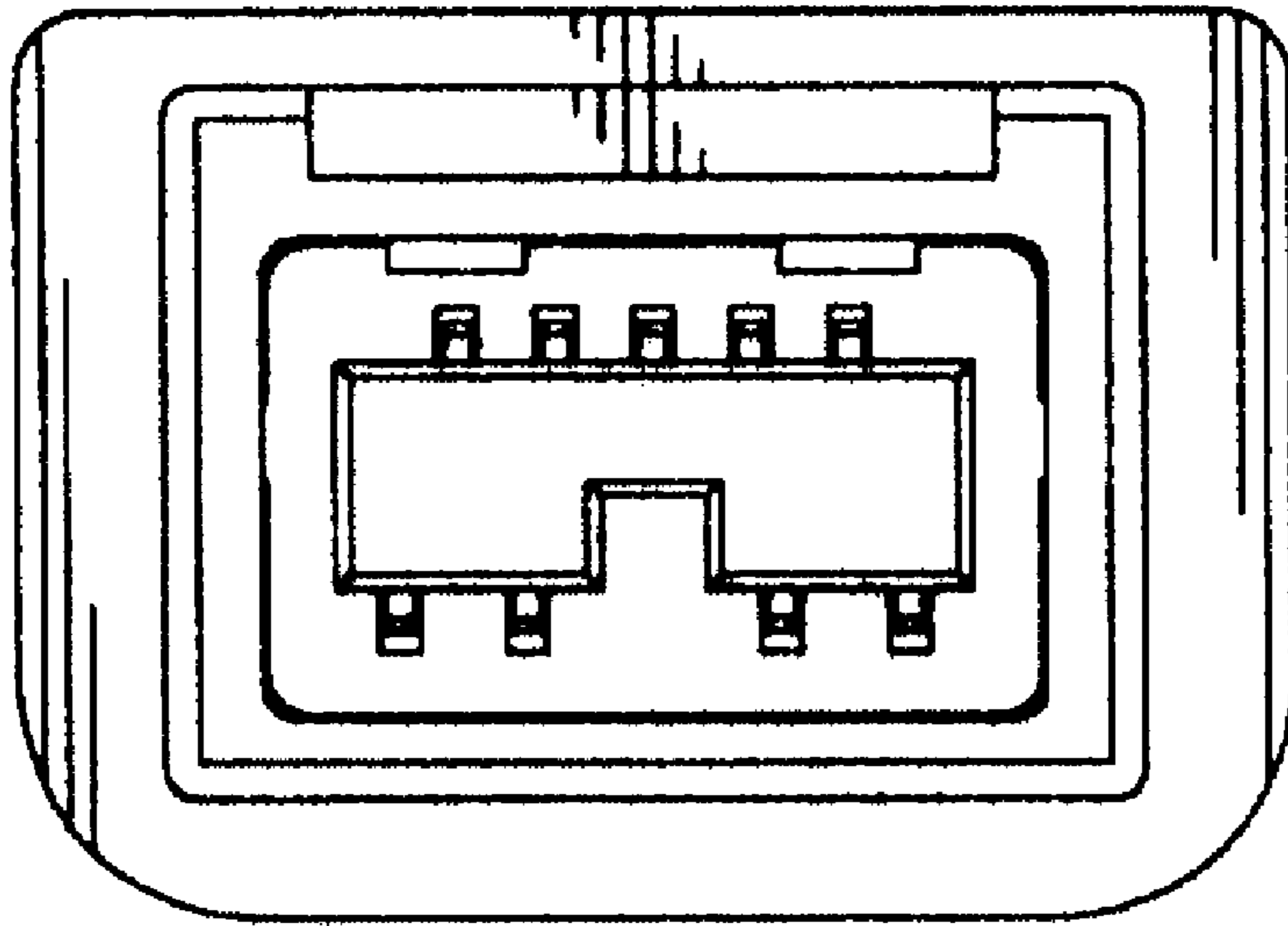


FIG. 2

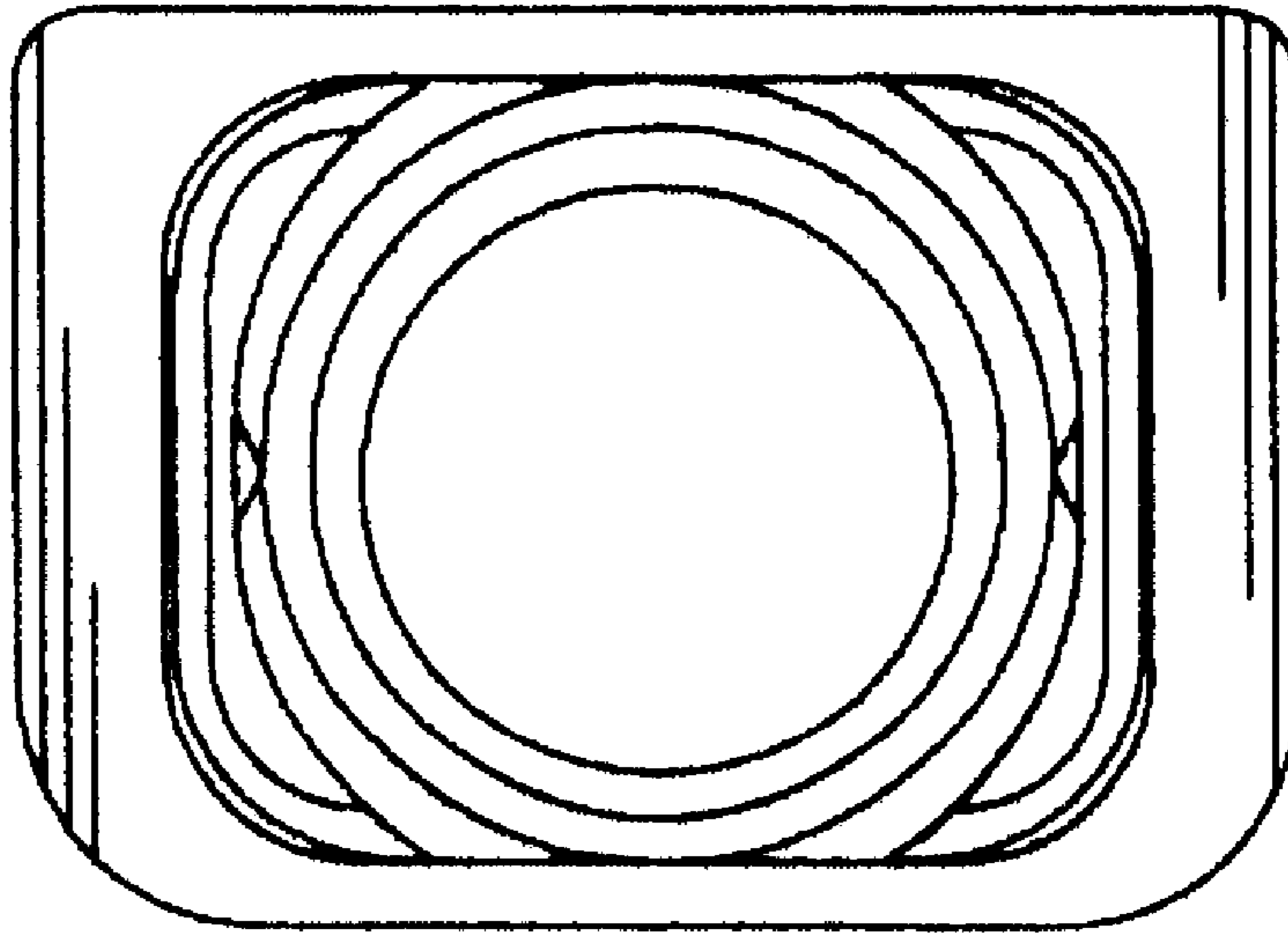


FIG. 3

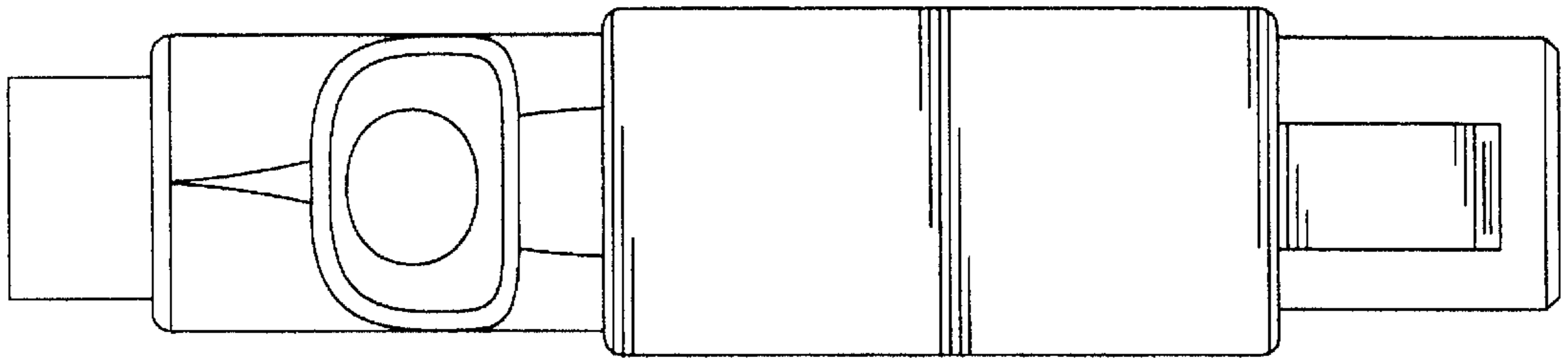


FIG. 4

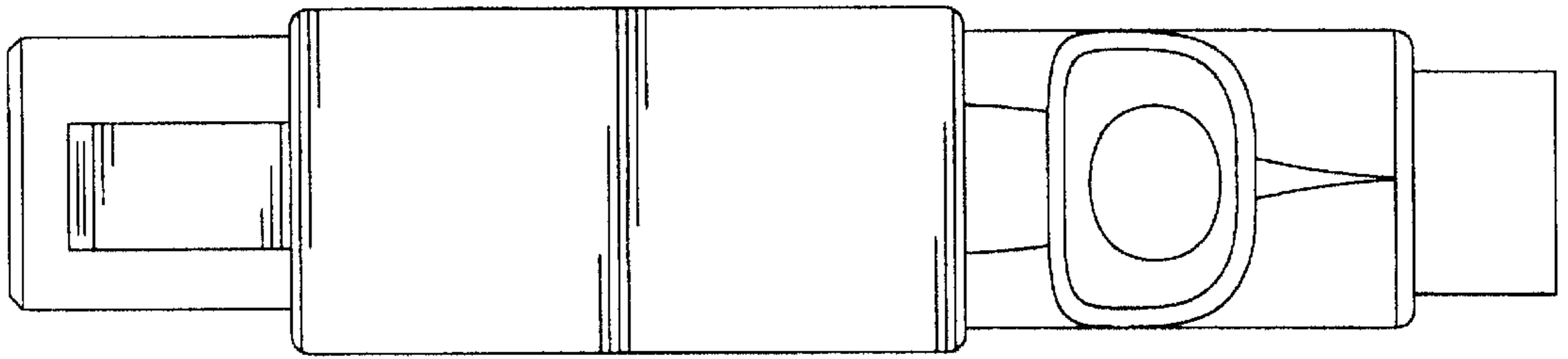


FIG. 5

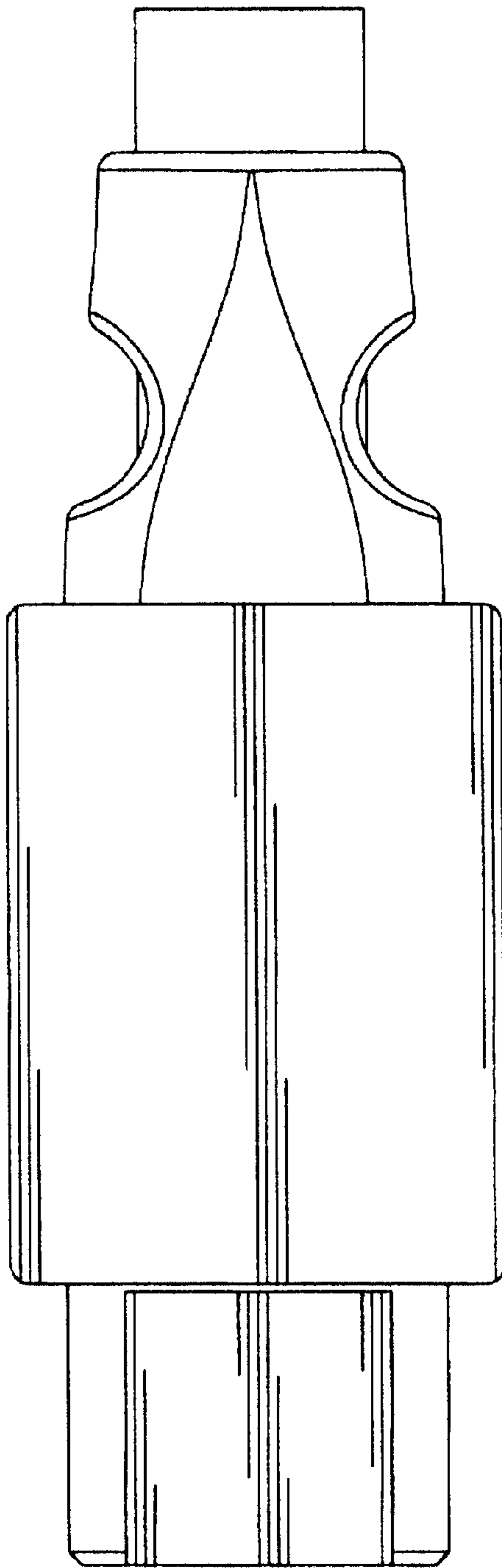


FIG. 6

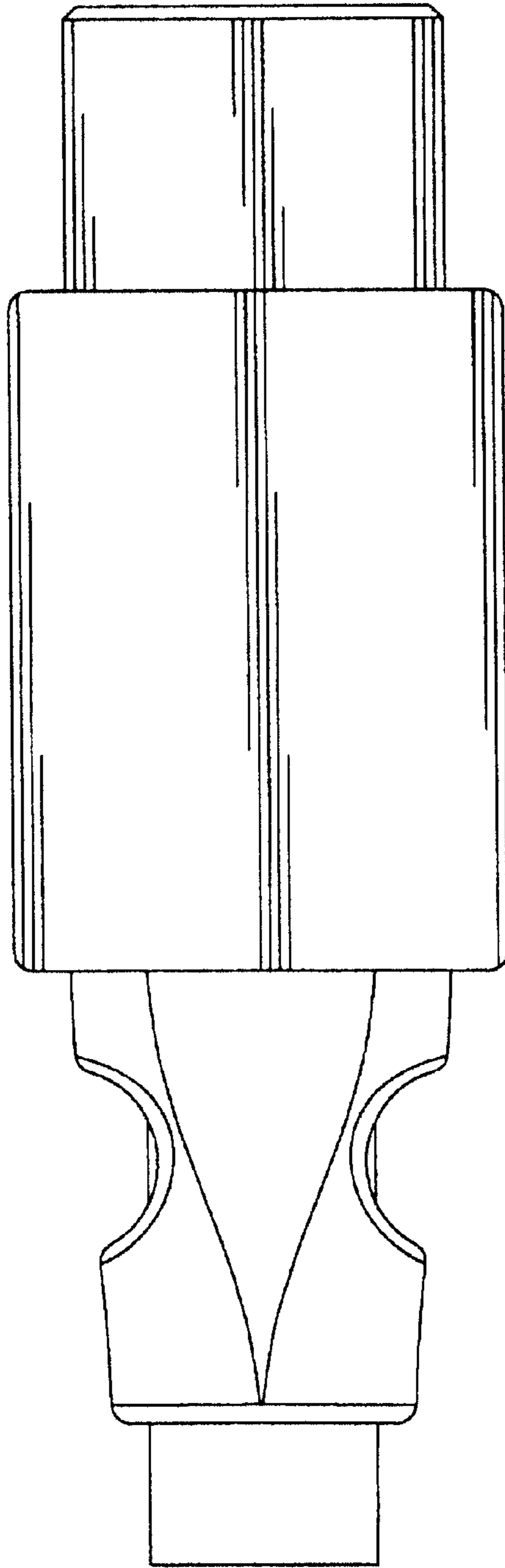


FIG. 7