



US00D481682S

(12) **United States Design Patent**
Wu

(10) **Patent No.:** **US D481,682 S**

(45) **Date of Patent:** **** Nov. 4, 2003**

(54) **ELECTRICAL CONNECTOR**

(75) Inventor: **Haibin Wu**, Kunsan (CN)

(73) Assignee: **Hon Hai Precision Ind. Co., Ltd.**,
Taipei Hsien (TW)

(**) Term: **14 Years**

(21) Appl. No.: **29/172,870**

(22) Filed: **Dec. 17, 2002**

(51) **LOC (7) Cl.** **13-03**

(52) **U.S. Cl.** **D13/147**

(58) **Field of Search** D13/147; 439/352,
439/353, 359, 357, 358, 610

(56) **References Cited**

U.S. PATENT DOCUMENTS

5,364,292	A	*	11/1994	Bethurum	439/610
5,951,317	A	*	9/1999	Tracy et al.	439/352
6,139,365	A	*	10/2000	Lok	439/607
6,257,914	B1	*	7/2001	Comerci et al.	439/357
D448,006	S	*	9/2001	Lee	D13/133

D451,886	S	*	12/2001	Goto	D13/147
D453,320	S	*	2/2002	Sugino	D13/147
D461,452	S	*	8/2002	Yeh	D13/147
6,494,736	B2	*	12/2002	Mito	439/385
D471,156	S	*	3/2003	Sass et al.	D13/133
6,540,542	B1	*	4/2003	Simmel	439/352

* cited by examiner

Primary Examiner—Joel Sincavage

(74) *Attorney, Agent, or Firm*—Wei Te Chung

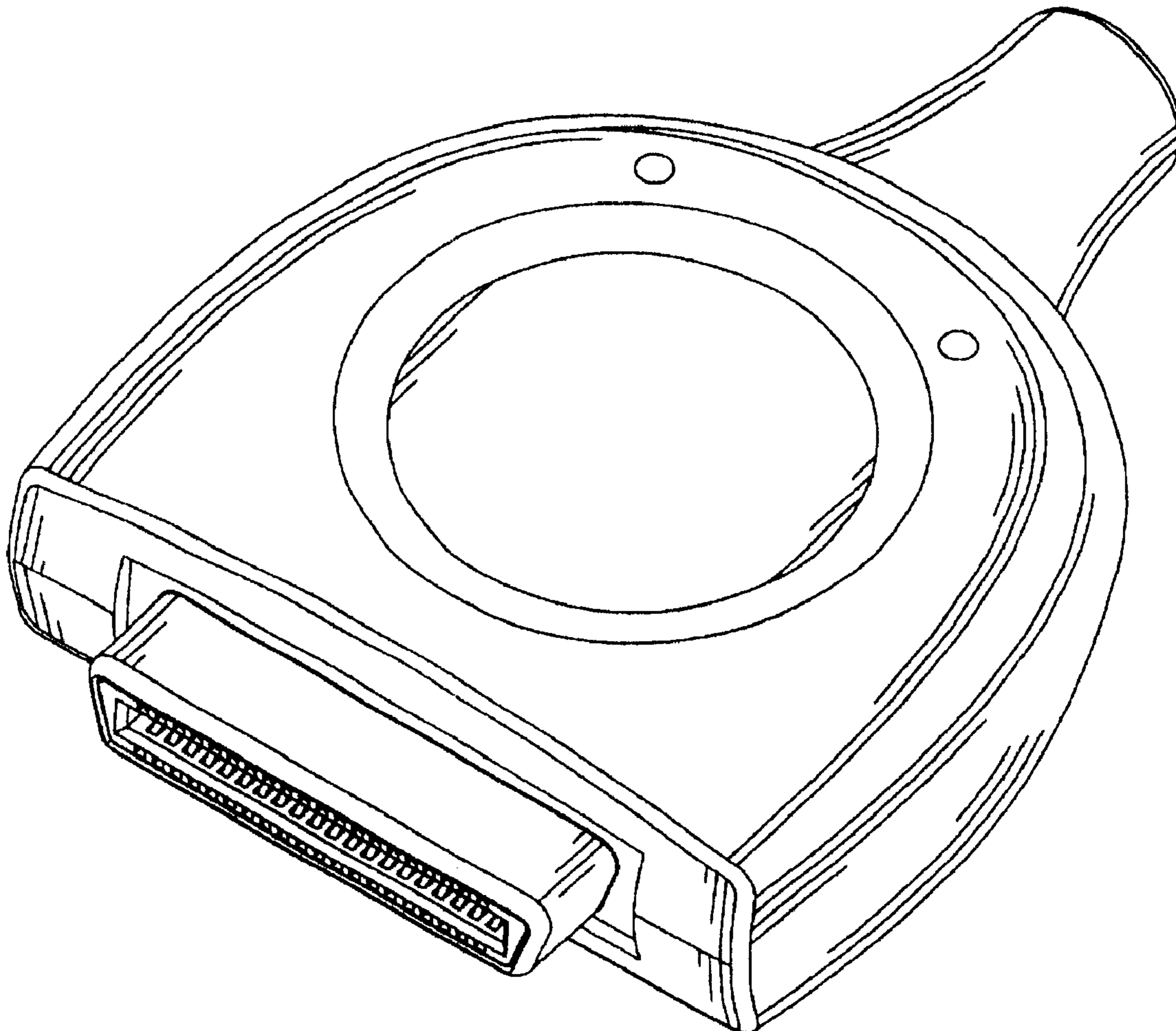
(57) **CLAIM**

The ornamental design for an electrical connector, as shown.

DESCRIPTION

FIG. 1 is a front, top and right side perspective view of an electrical connector showing my new design; FIG. 2 is a front elevational view thereof; FIG. 3 is a rear elevational view thereof; FIG. 4 is a left side elevational view thereof; FIG. 5 is a right side elevational view thereof; FIG. 6 is a top plan view thereof; and, FIG. 7 is a bottom plan view thereof.

1 Claim, 5 Drawing Sheets



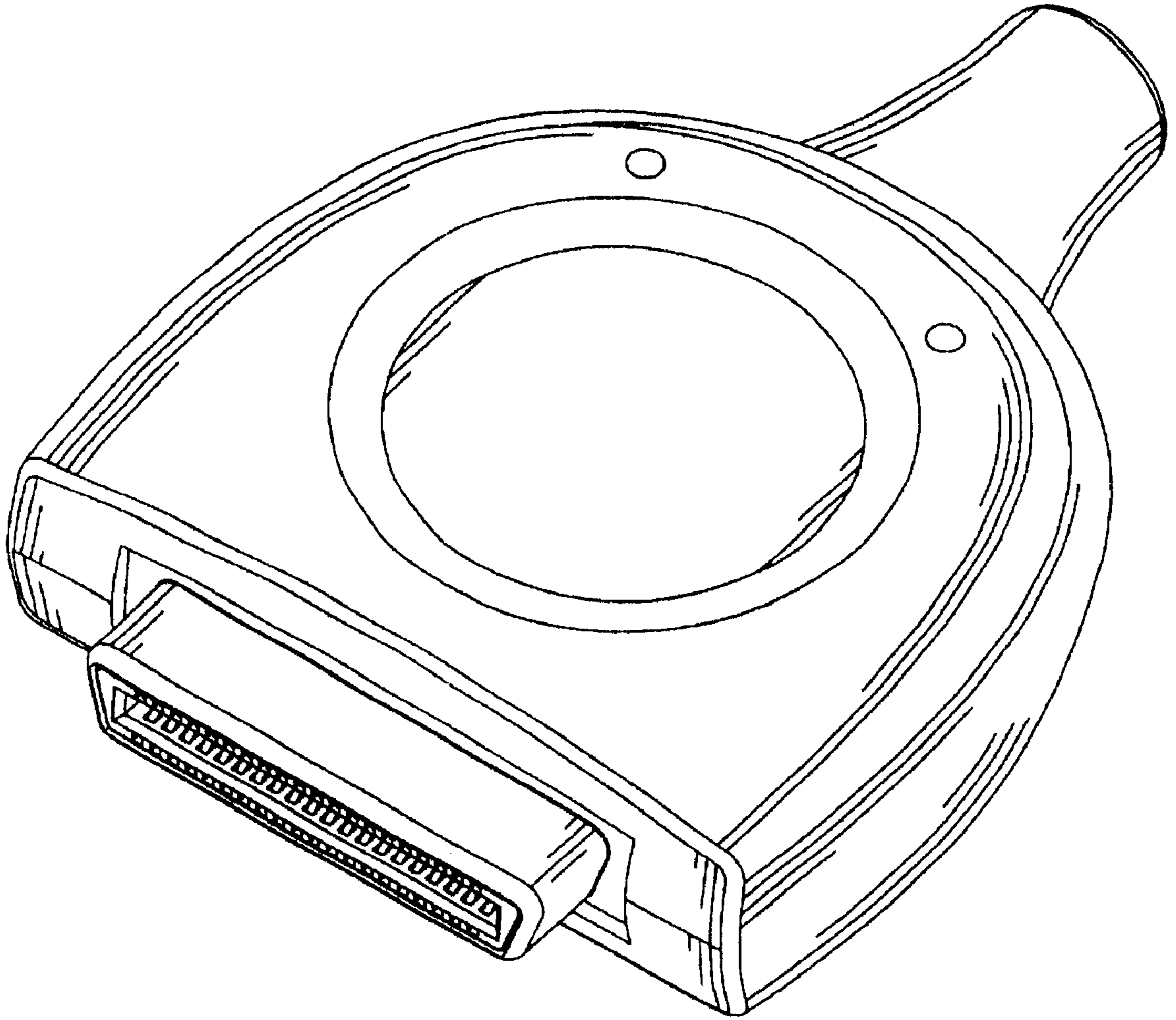


FIG. 1

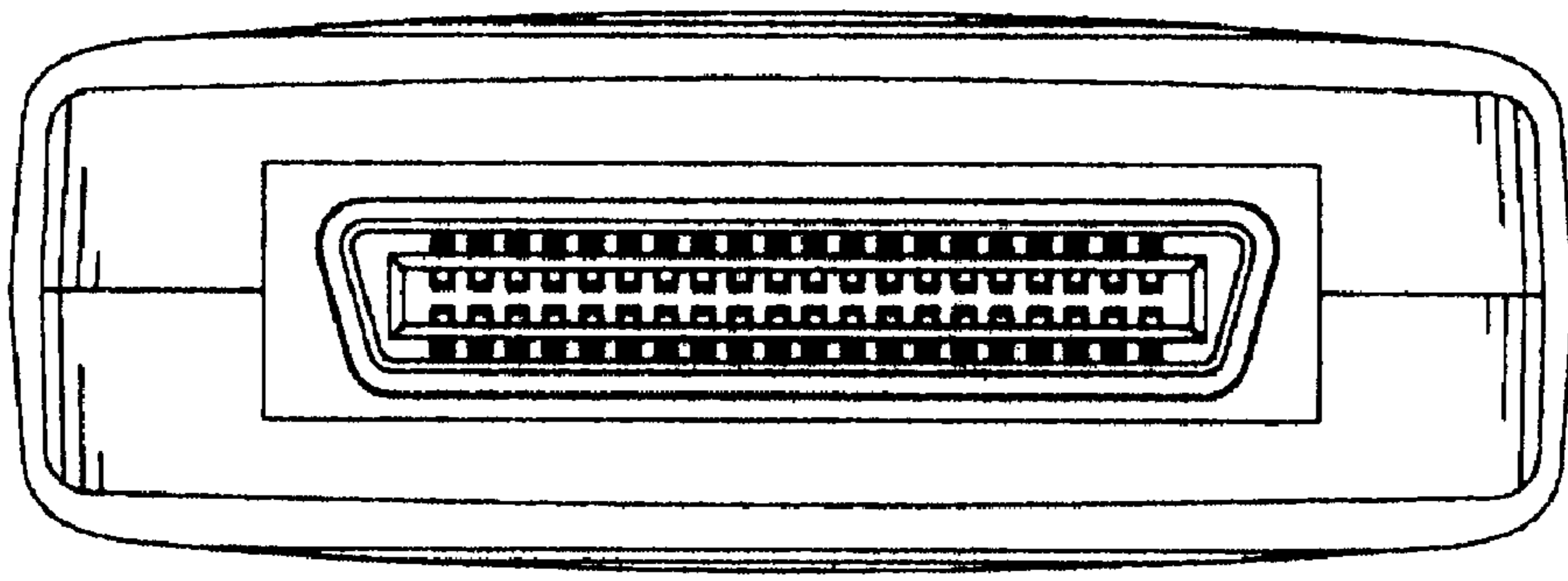


FIG. 2

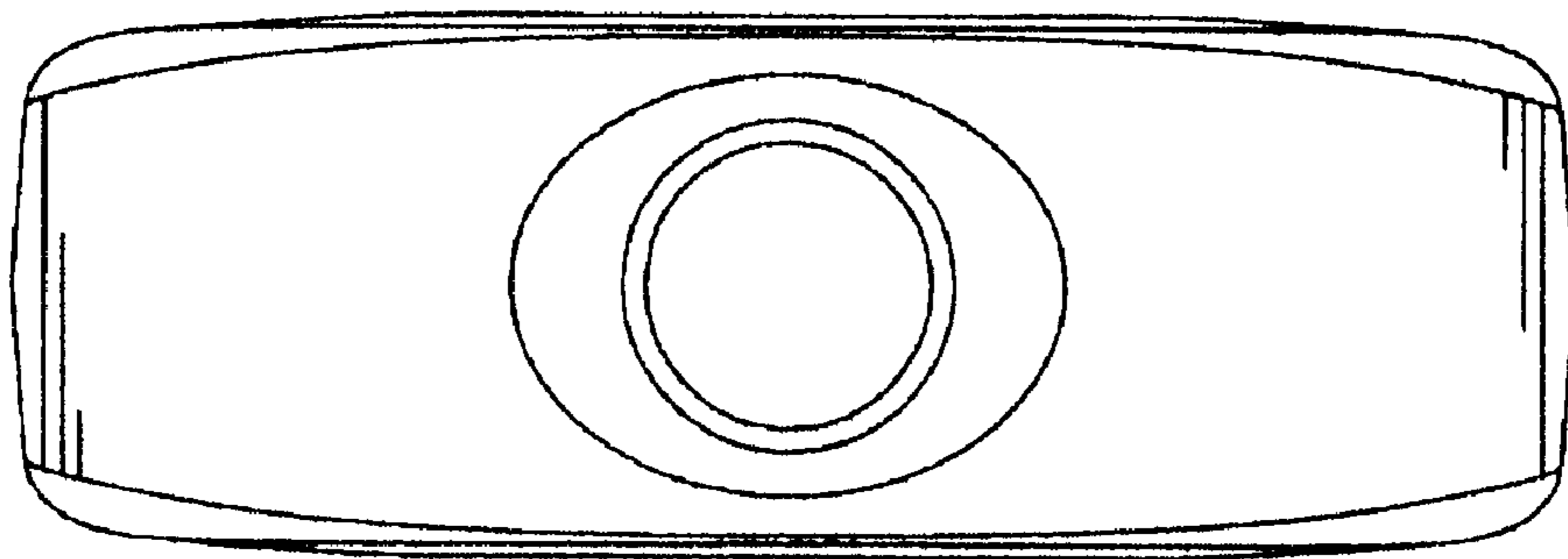


FIG. 3

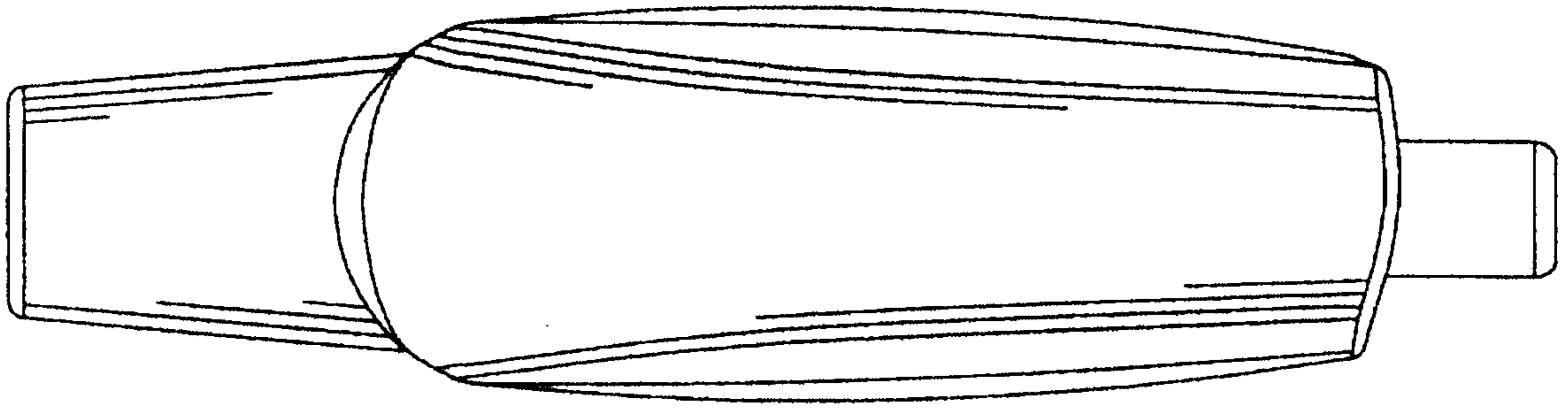


FIG. 4

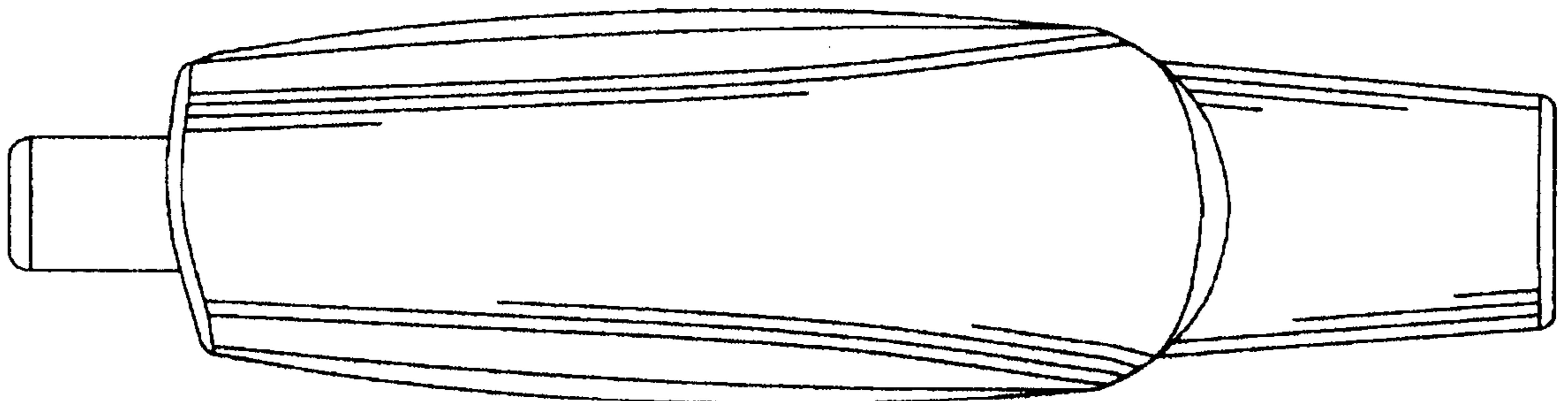


FIG. 5

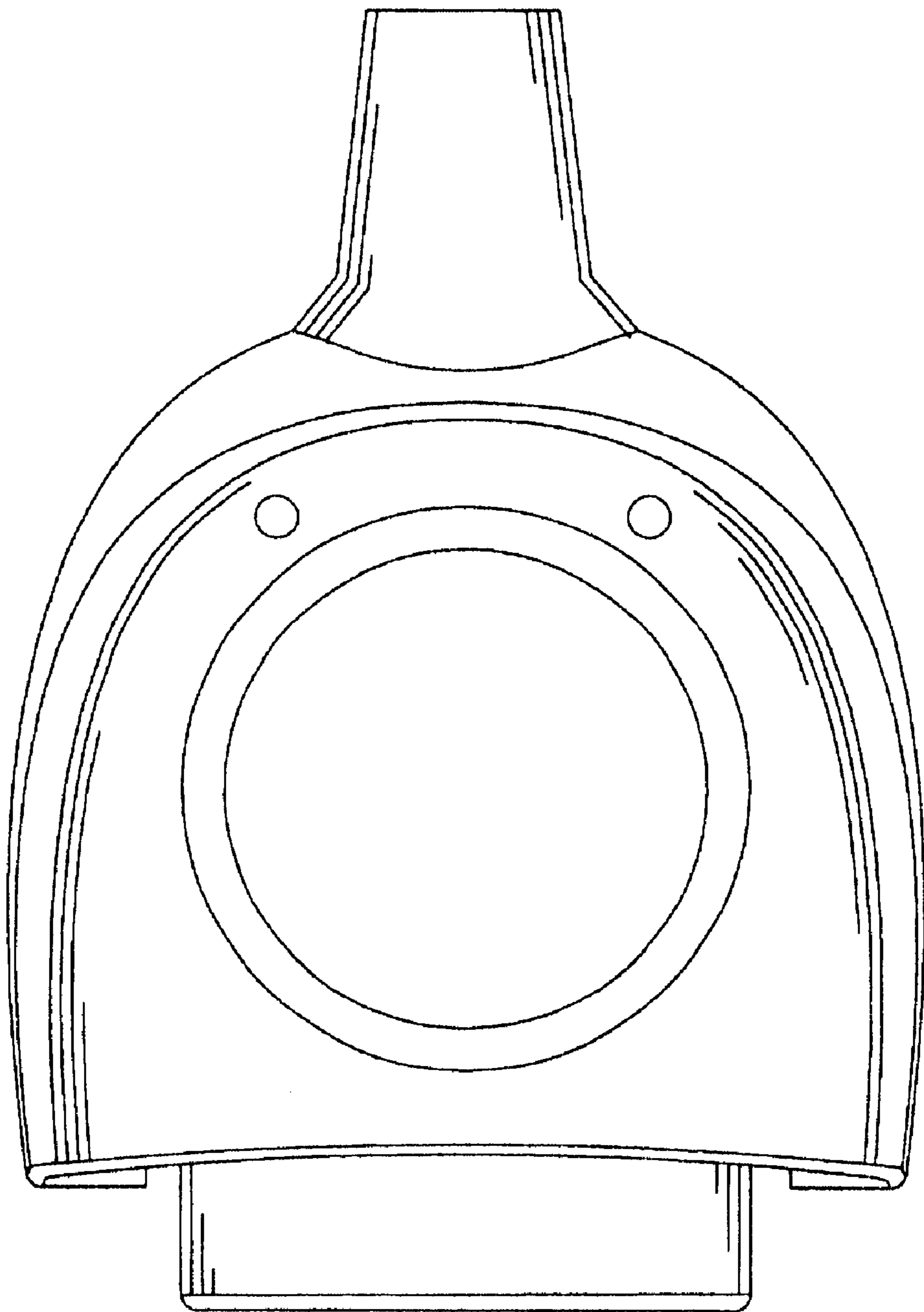


FIG. 6

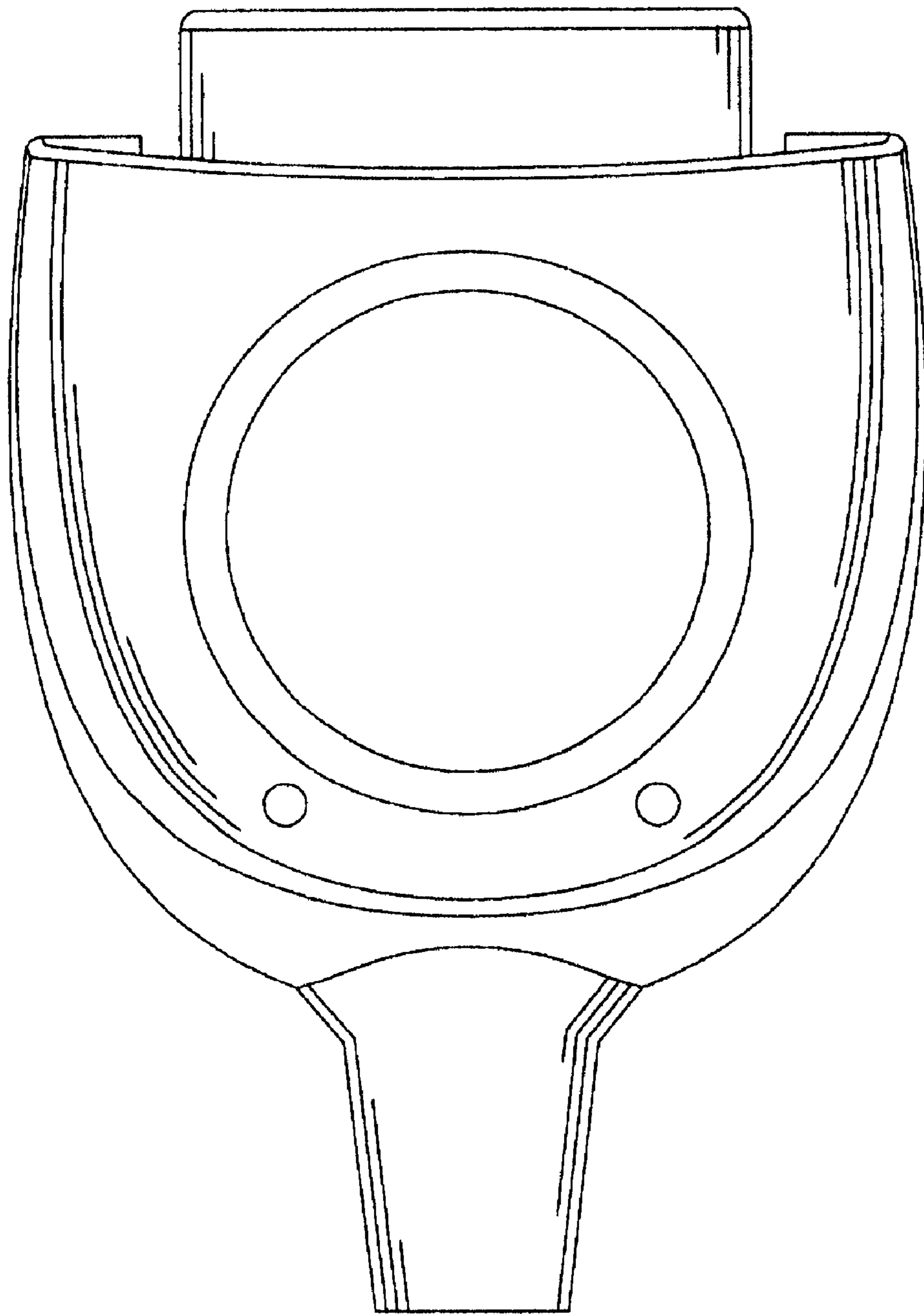


FIG. 7