



US00D481681S

(12) **United States Design Patent**
Takahashi

(10) **Patent No.:** **US D481,681 S**

(45) **Date of Patent:** **** Nov. 4, 2003**

(54) **ELECTRICAL CONNECTOR**

(75) Inventor: **Kazuya Takahashi, Zama (JP)**

(73) Assignee: **Molex Incorporated, Lisle, IL (US)**

(**) Term: **14 Years**

(21) Appl. No.: **29/164,308**

(22) Filed: **Jul. 22, 2002**

(30) **Foreign Application Priority Data**

Jan. 21, 2002 (JP) 2002-001240

(51) **LOC (7) Cl.** **13-03**

(52) **U.S. Cl.** **D13/147**

(58) **Field of Search** D13/146, 147,
D13/154; 439/79, 108, 607, 610

(56) **References Cited**

U.S. PATENT DOCUMENTS

5,338,227 A * 8/1994 Nakamura 439/607

D425,027 S * 5/2000 Nishio et al. D13/147

6,293,825 B1 * 9/2001 Huang 439/607

D452,481 S * 12/2001 Shimojyo D13/147

D462,663 S * 9/2002 Hagiwara D13/147

D465,767 S * 11/2002 Zhu et al. D13/147

6,475,033 B1 * 11/2002 Zhu et al. 439/607

* cited by examiner

Primary Examiner—Joel Sincavage

(74) *Attorney, Agent, or Firm*—Robert J. Zeitler

(57) **CLAIM**

The ornamental Design for an electrical connector, as shown and described.

DESCRIPTION

FIG. 1 is a front view of a receptacle connector showing our new design;

FIG. 2 is a rear view thereof;

FIG. 3 is a top view thereof;

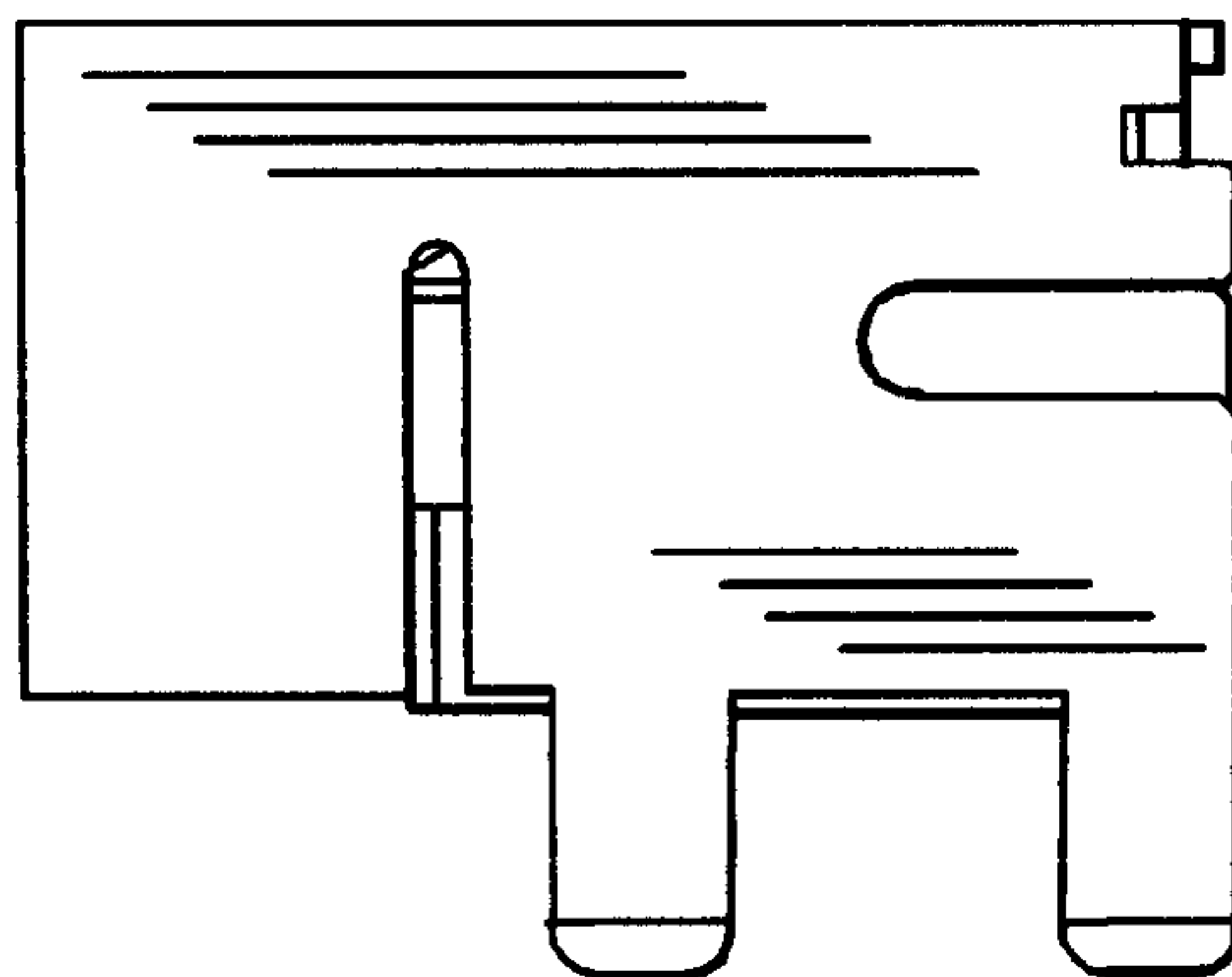
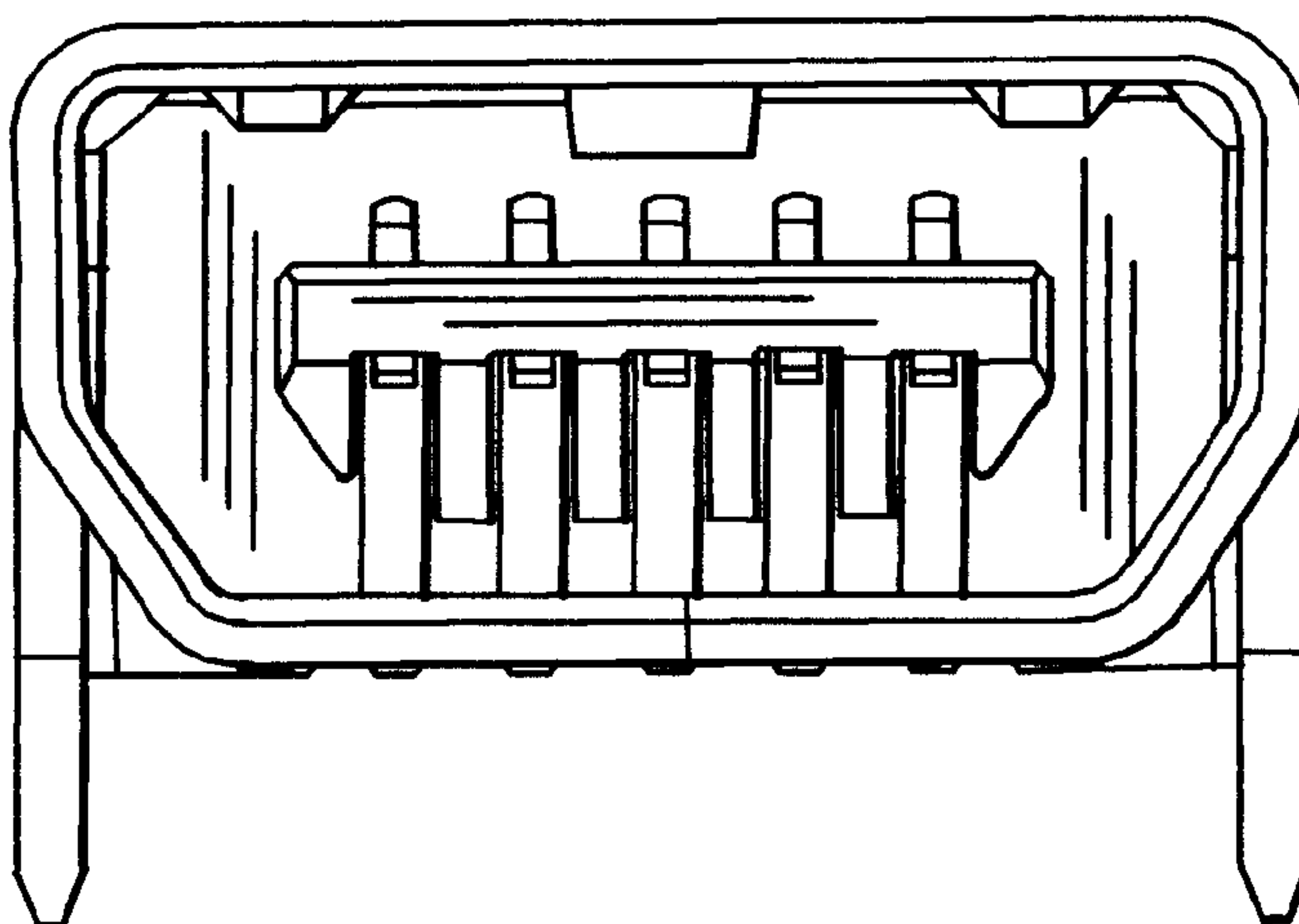
FIG. 4 is a bottom view thereof;

FIG. 5 is a side view thereof;

FIG. 6 is a side view thereof from the side opposite that shown in FIG. 5; and,

FIG. 7 is a cross-sectional view thereof taken at “7—7” of FIG. 3.

1 Claim, 2 Drawing Sheets



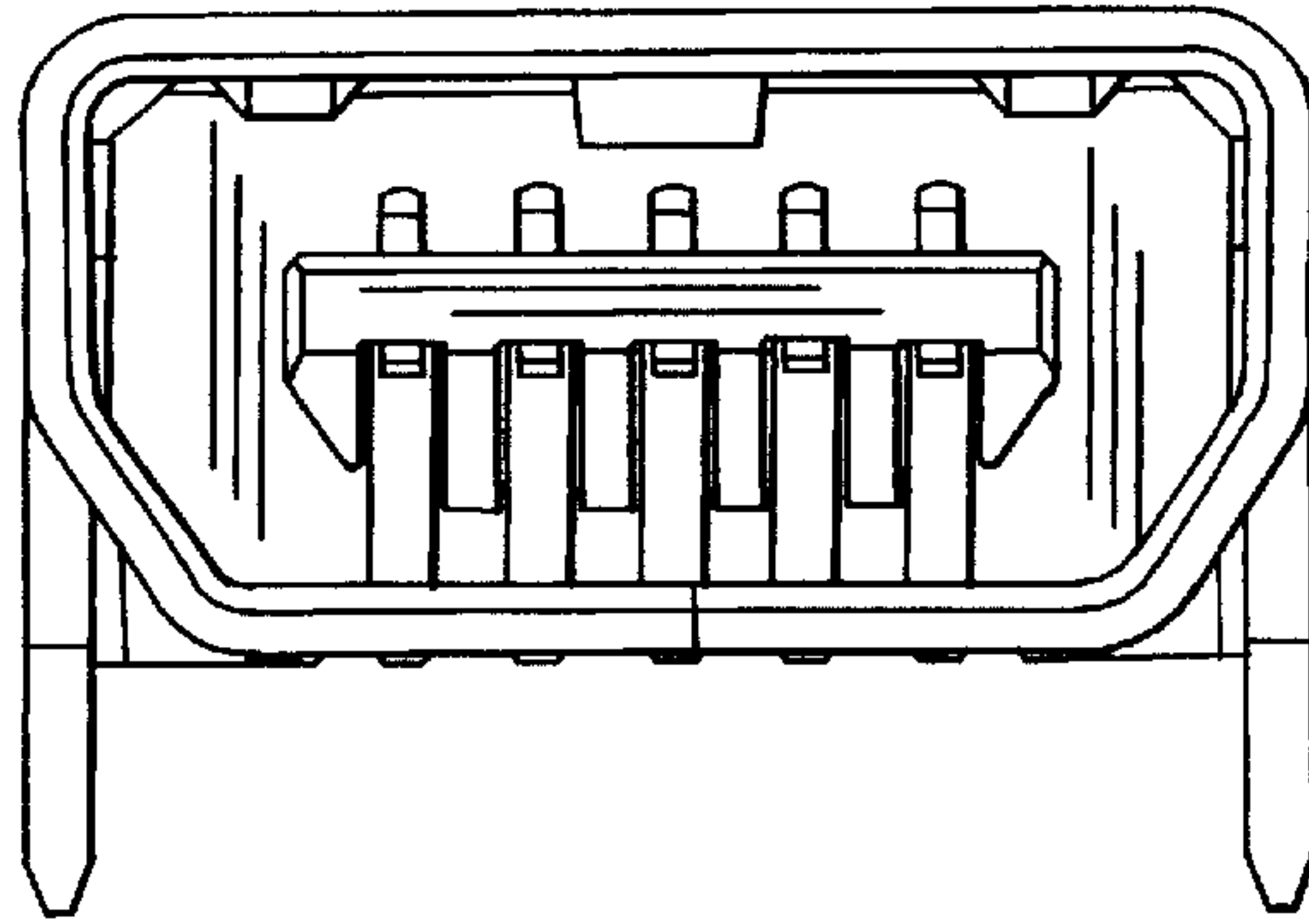


FIG. 1

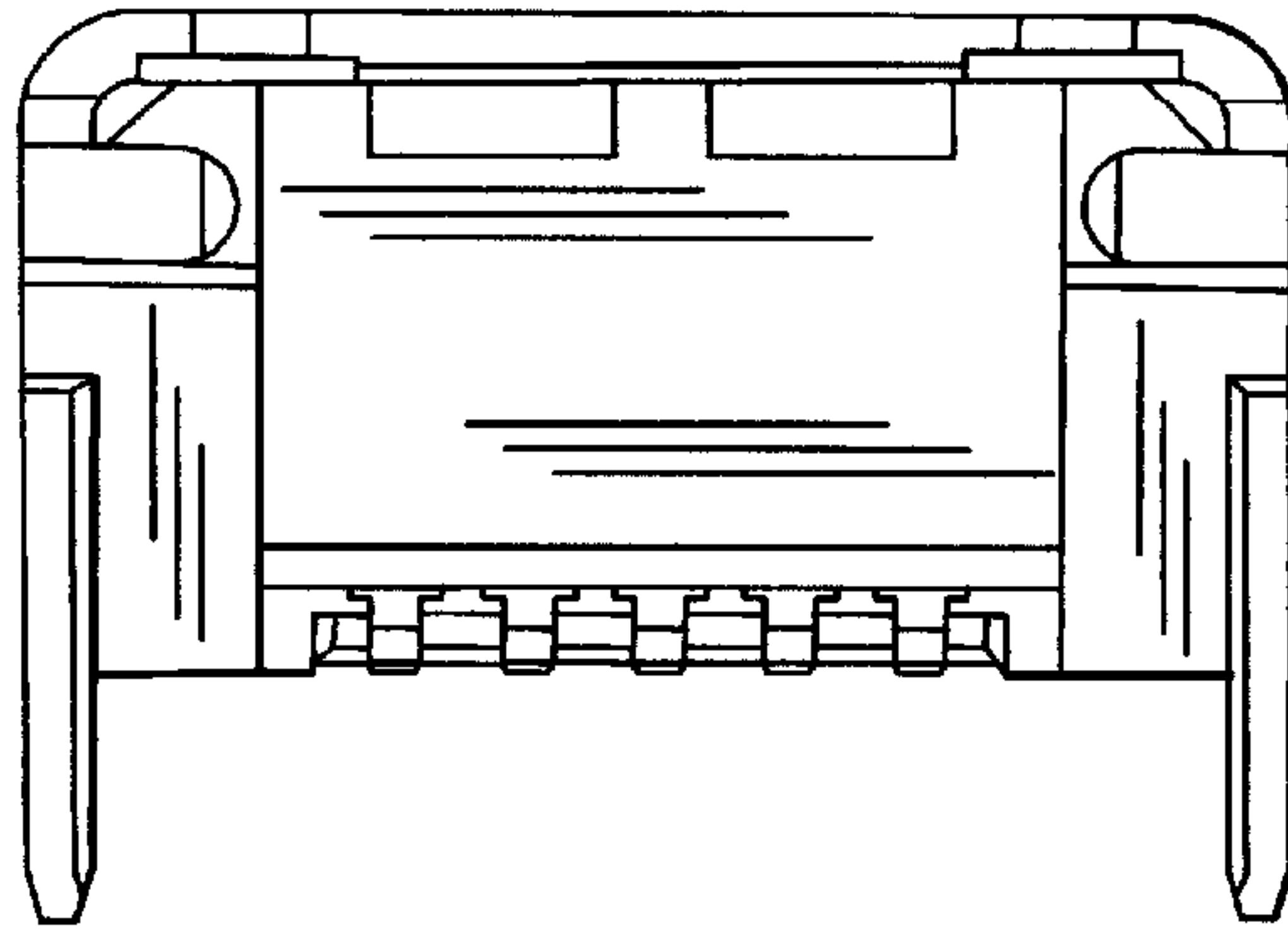


FIG. 2

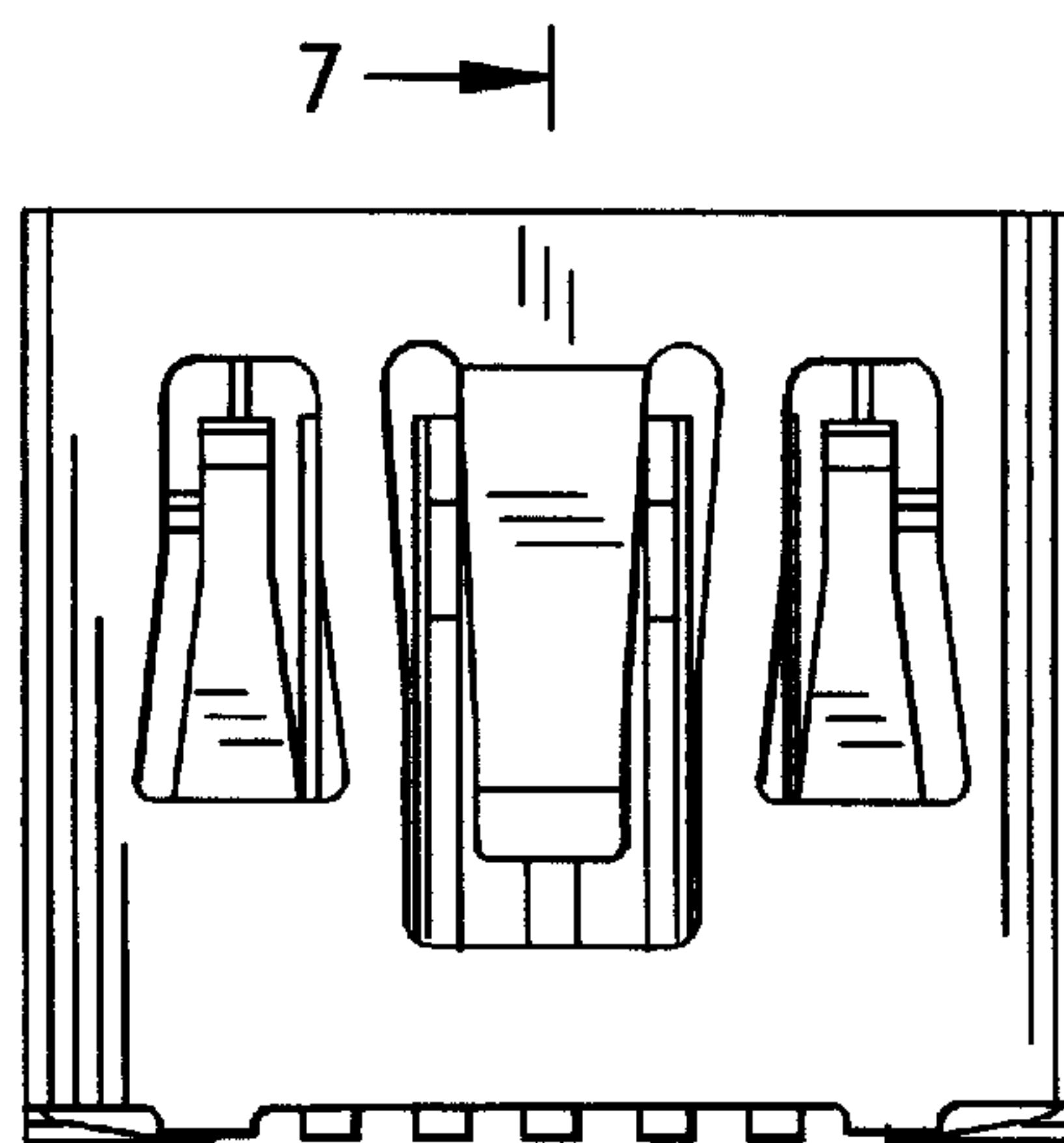


FIG. 3

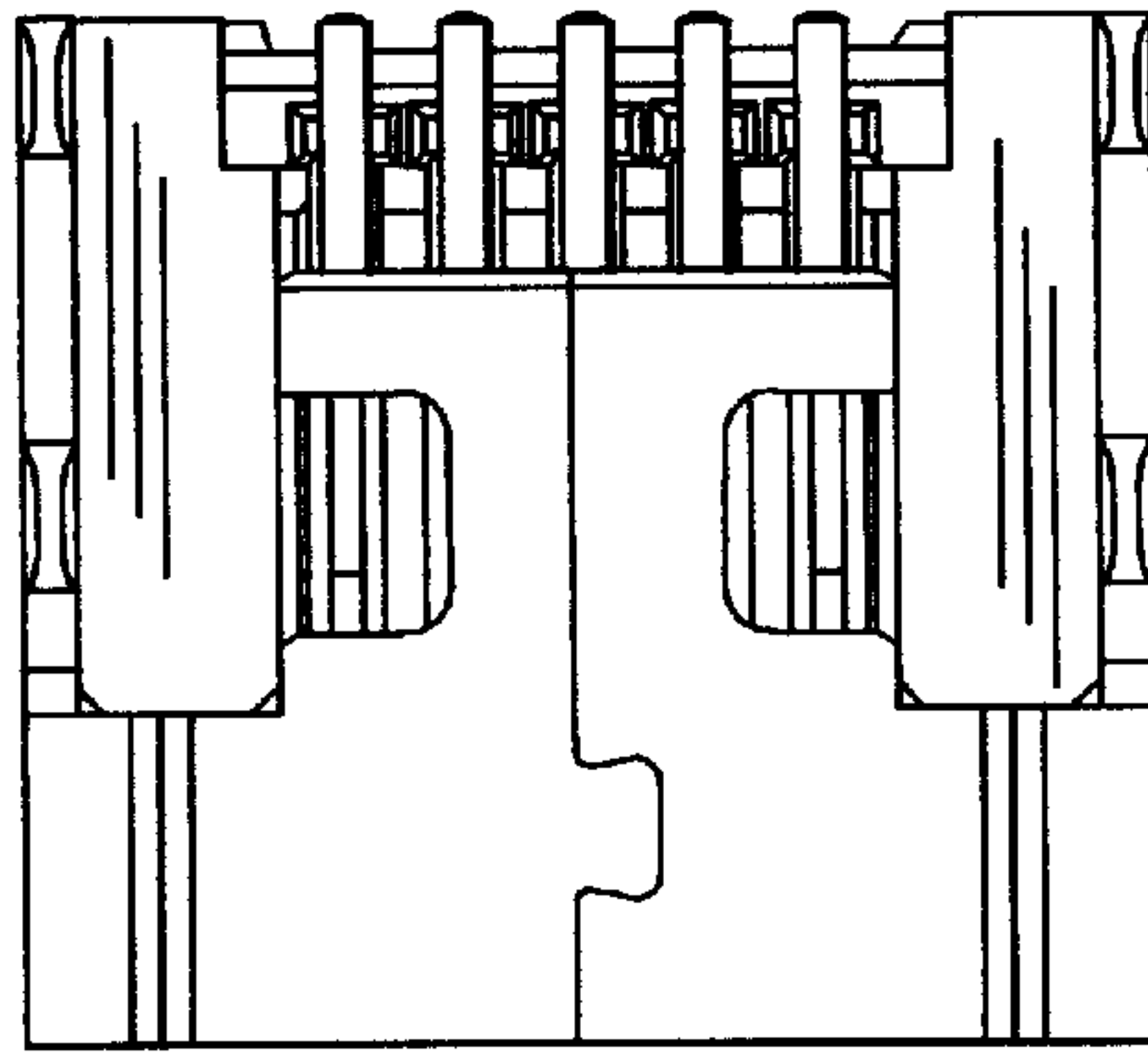


FIG. 4

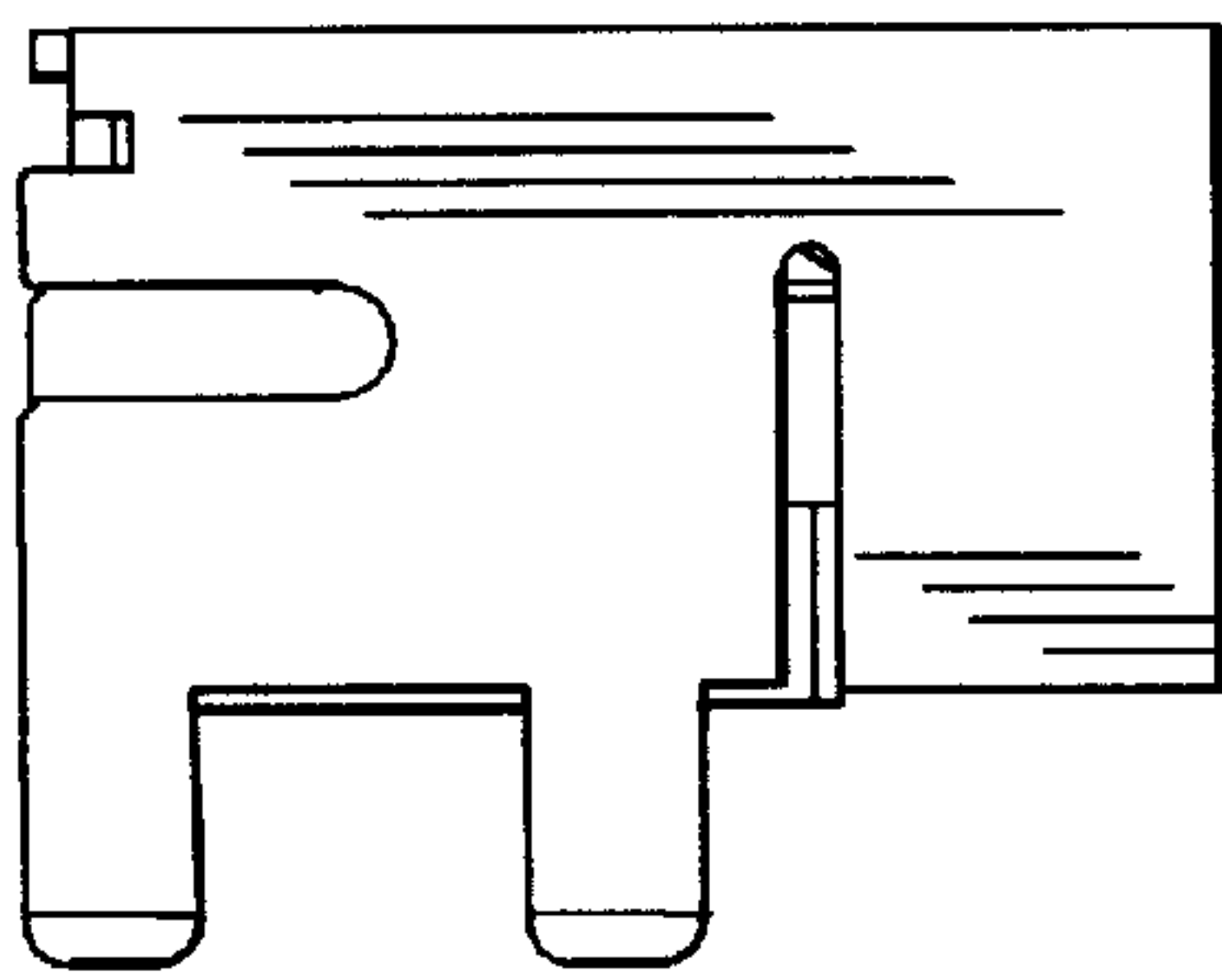


FIG. 5

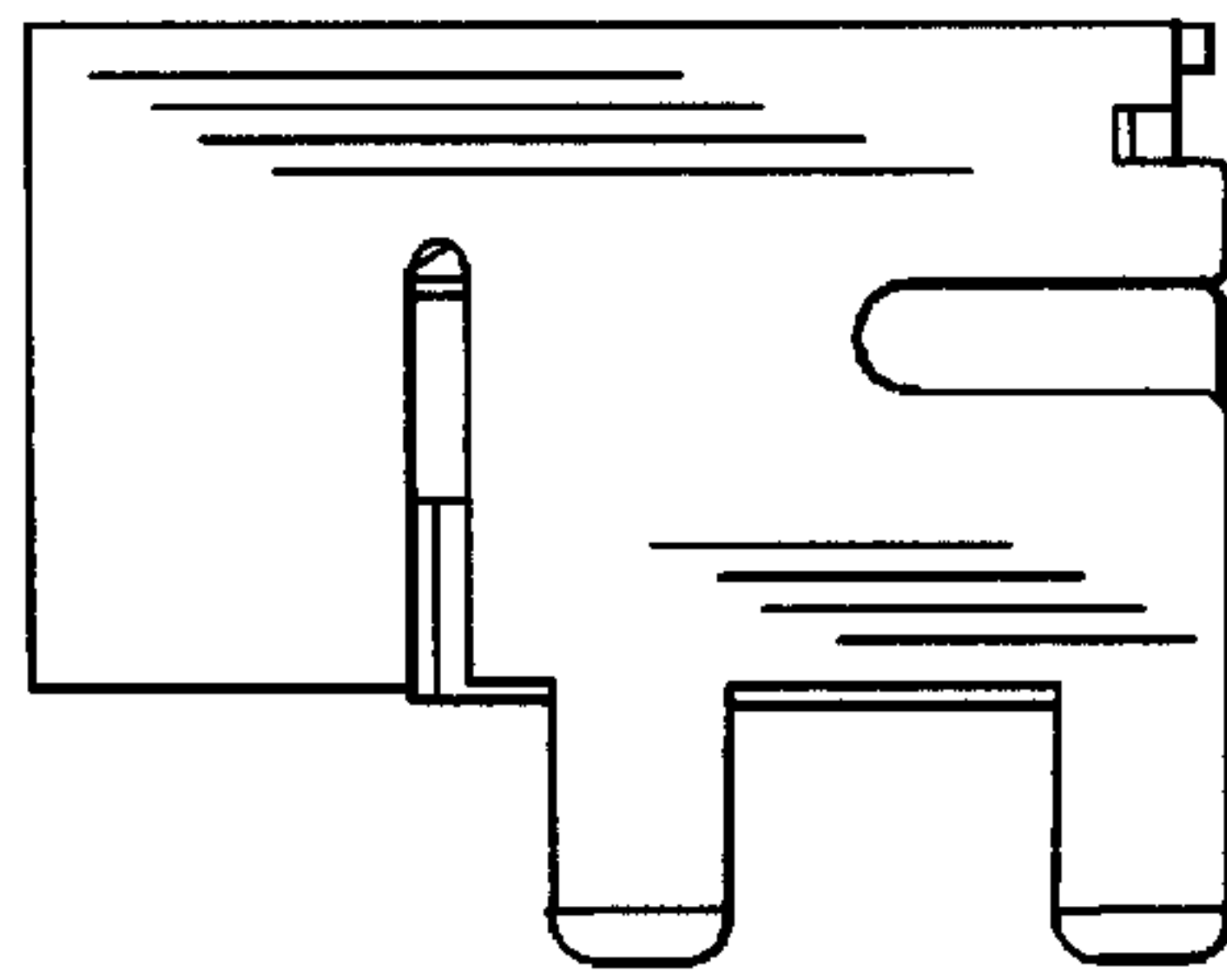


FIG. 6

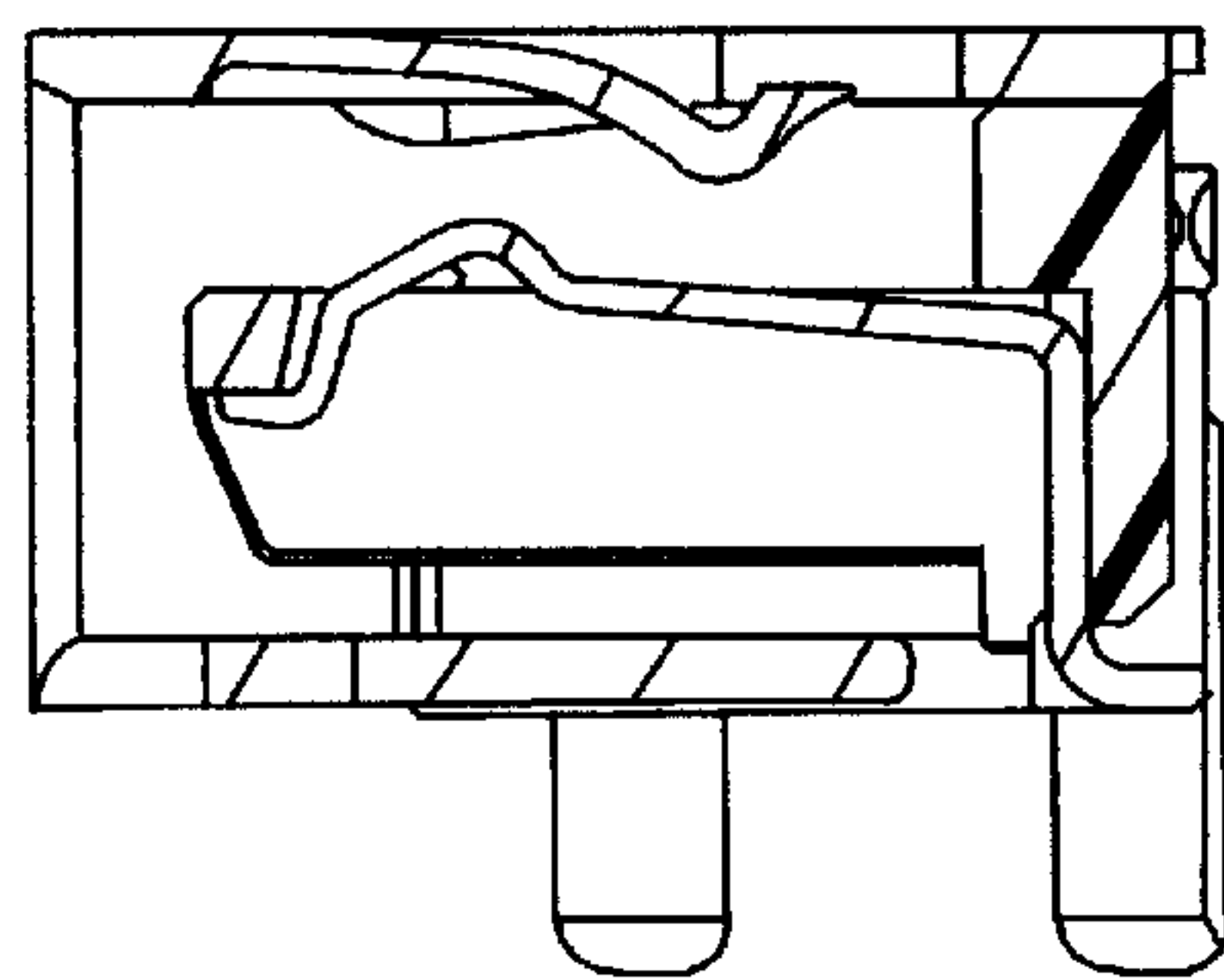


FIG. 7