



US00D481680S

(12) **United States Design Patent**
Cheng et al.

(10) **Patent No.:** **US D481,680 S**

(45) **Date of Patent:** **** Nov. 4, 2003**

(54) **OPTICAL CONNECTOR**

(75) Inventors: **Yung Chang Cheng**, Tu-chen (TW);
Chung Hsin Mou, Tu-Chen (TW); **Nan**
Tsung Huang, Tu-Chen (TW)

(73) Assignee: **Hon Hai Precision Ind. Co., Ltd.**,
Taipei Hsien (TW)

(**) Term: **14 Years**

(21) Appl. No.: **29/171,490**

(22) Filed: **Nov. 21, 2002**

(30) **Foreign Application Priority Data**

Oct. 25, 2002 (TW) 91306084

(51) **LOC (7) Cl.** **13-03**

(52) **U.S. Cl.** **D13/133**

(58) **Field of Search** D13/133; 385/56,
385/59, 76, 60, 78

(56) **References Cited**

U.S. PATENT DOCUMENTS

4,762,388 A * 8/1988 Tanaka et al. 385/59 X
5,293,581 A * 3/1994 DiMarco 385/76

5,579,425 A * 11/1996 Lampert et al. 385/59
5,675,682 A * 10/1997 Marchi 385/59 X
D434,376 S * 11/2000 Connelly D13/133
6,196,733 B1 * 3/2001 Wild 385/86
6,402,393 B1 * 6/2002 Grimes et al. 385/56 X
6,409,392 B1 * 6/2002 Lampert et al. 385/56
6,511,230 B1 * 1/2003 Connelly et al. 385/58

* cited by examiner

Primary Examiner—Joel Sincavage

(74) *Attorney, Agent, or Firm*—Wei Te Chung

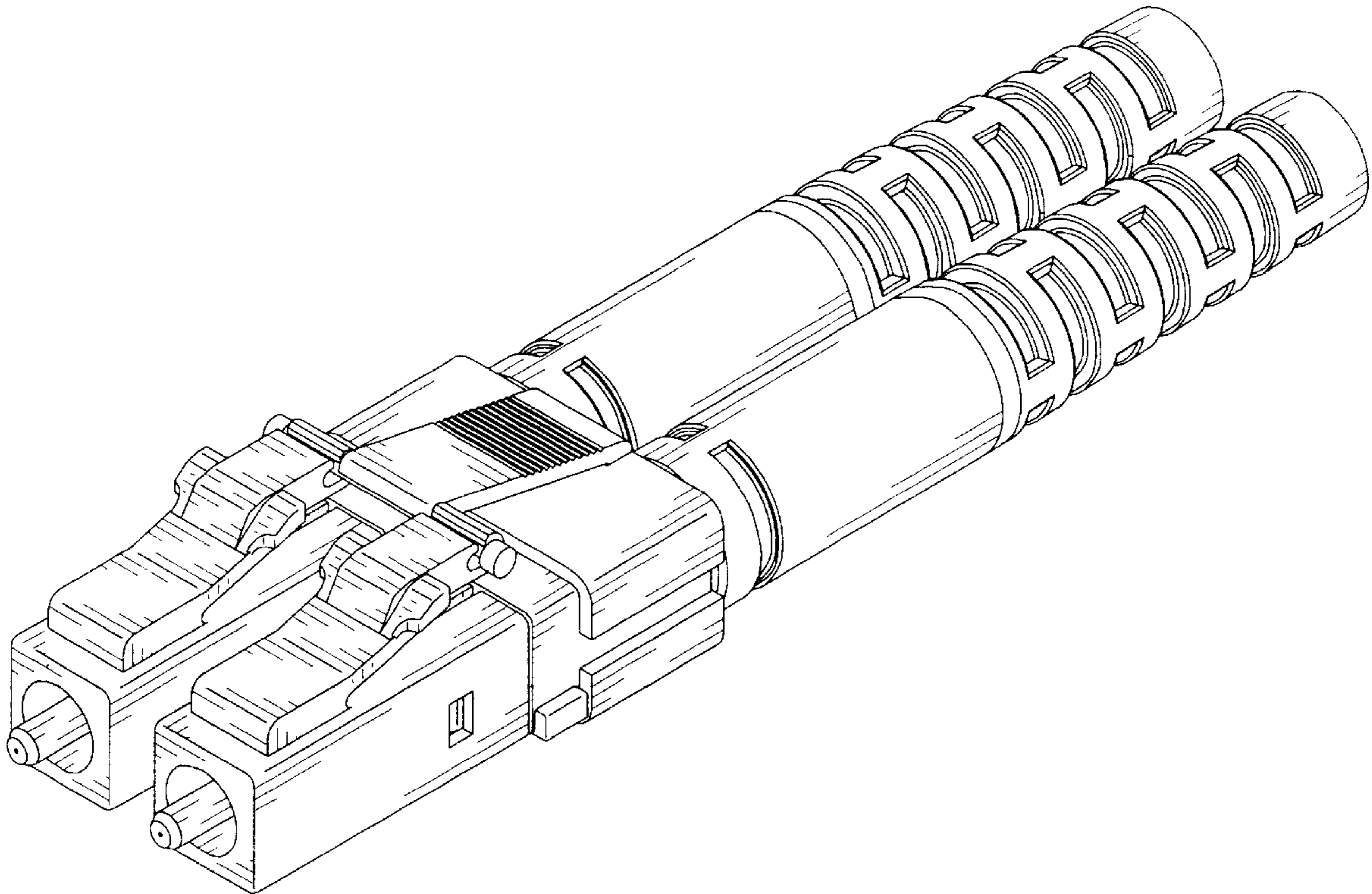
(57) **CLAIM**

The ornamental design for an optical connector, as shown and described.

DESCRIPTION

FIG. 1 is a front, top and right side perspective view of an optical connector showing our new design;
FIG. 2 is a front elevational view thereof;
FIG. 3 is a rear, top and left side perspective view thereof;
FIG. 4 is a left side elevational view thereof;
FIG. 5 is a right side elevational view thereof;
FIG. 6 is a top plan view thereof; and,
FIG. 7 is a bottom plan view thereof.

1 Claim, 5 Drawing Sheets



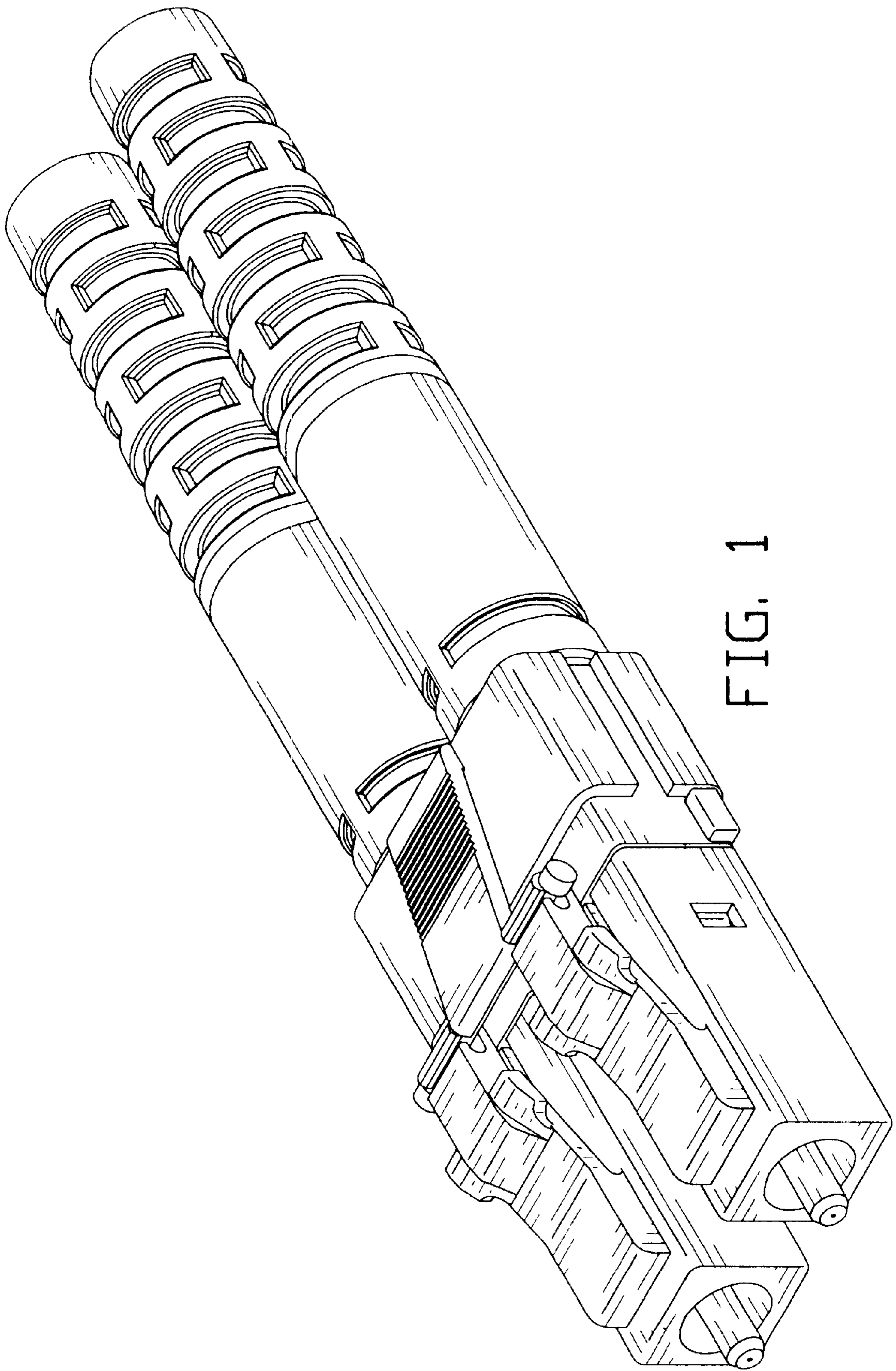


FIG. 1

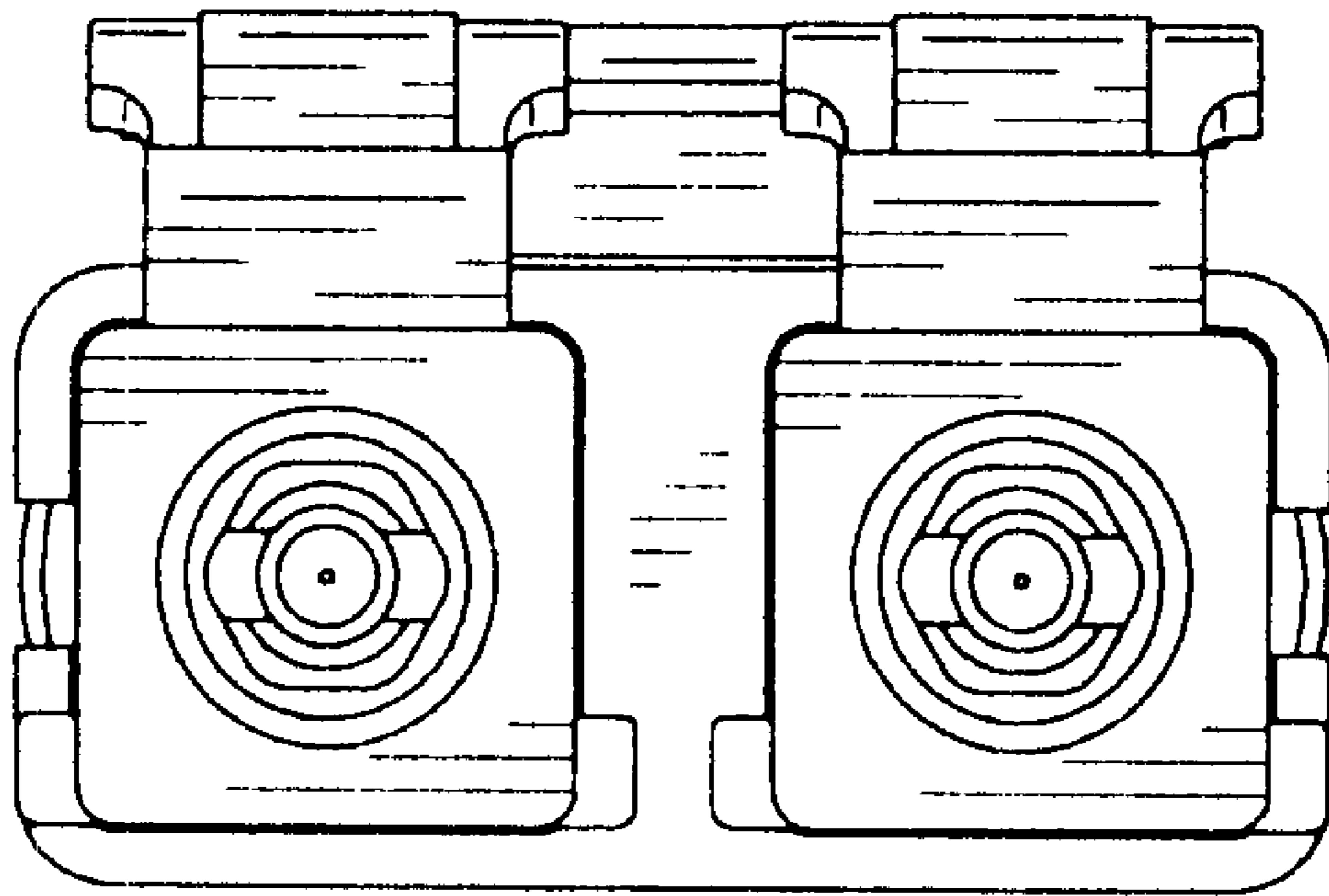


FIG. 2

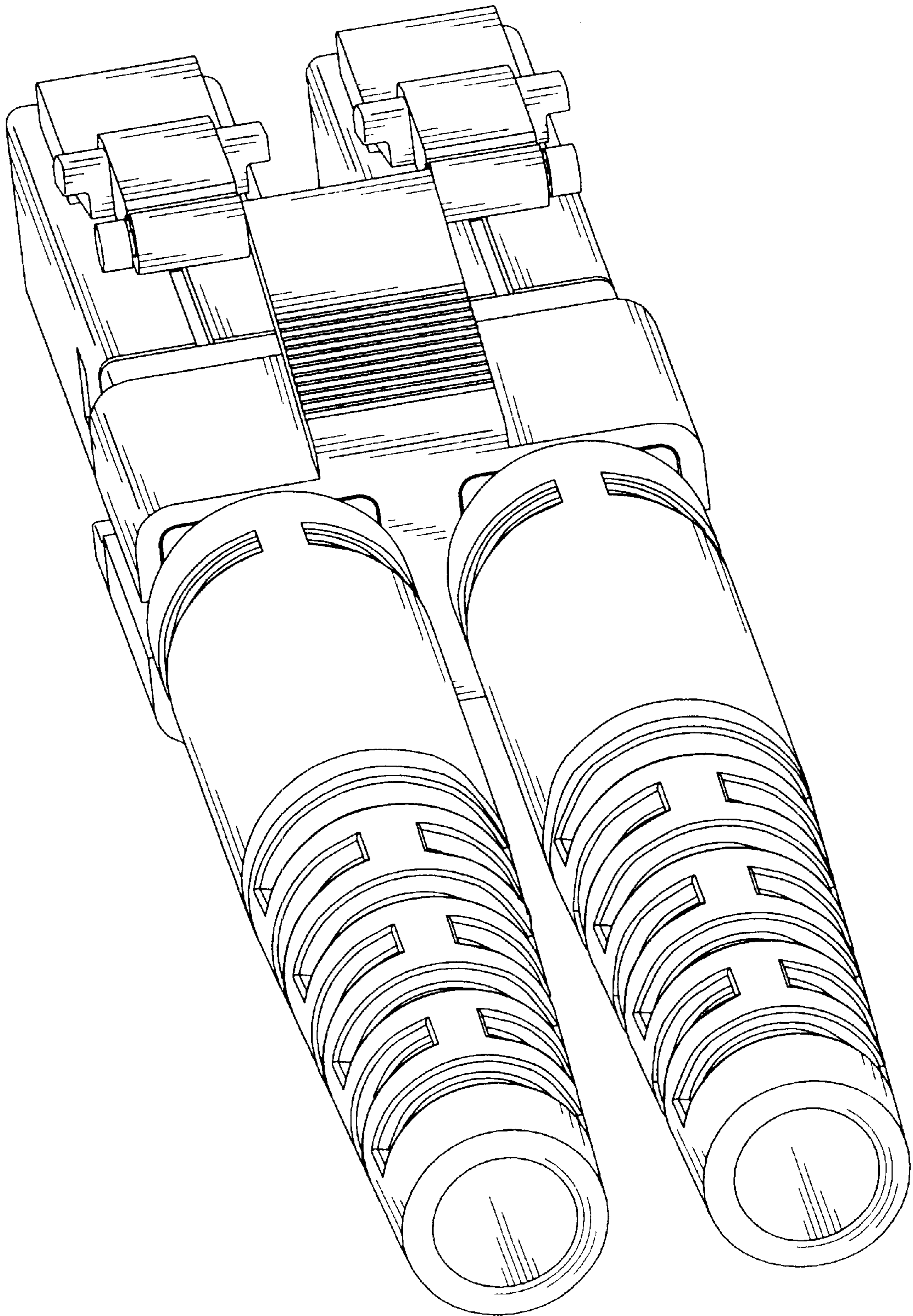


FIG. 3

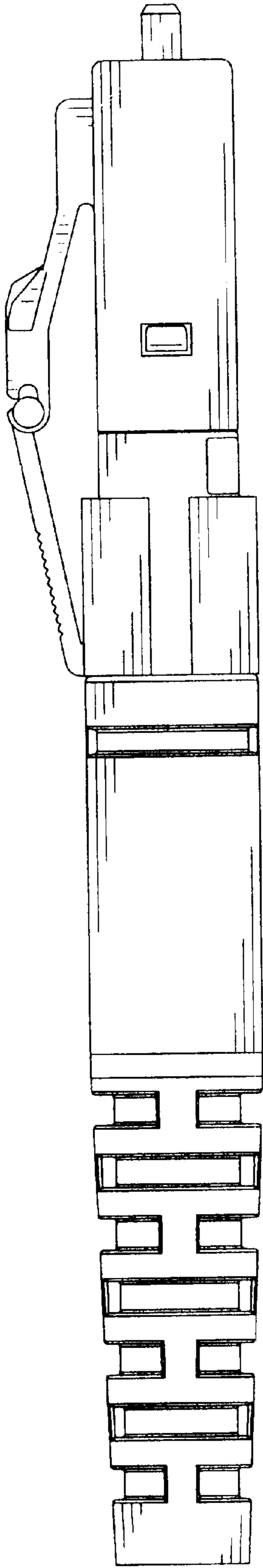


FIG. 4

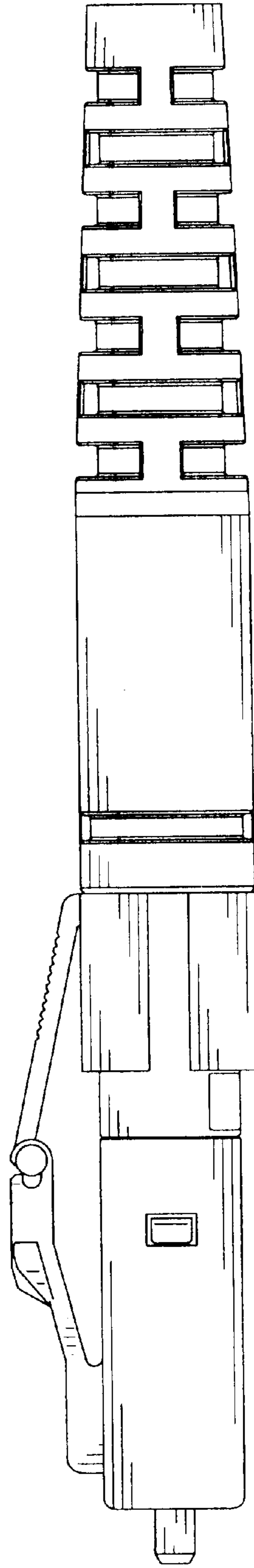


FIG. 5

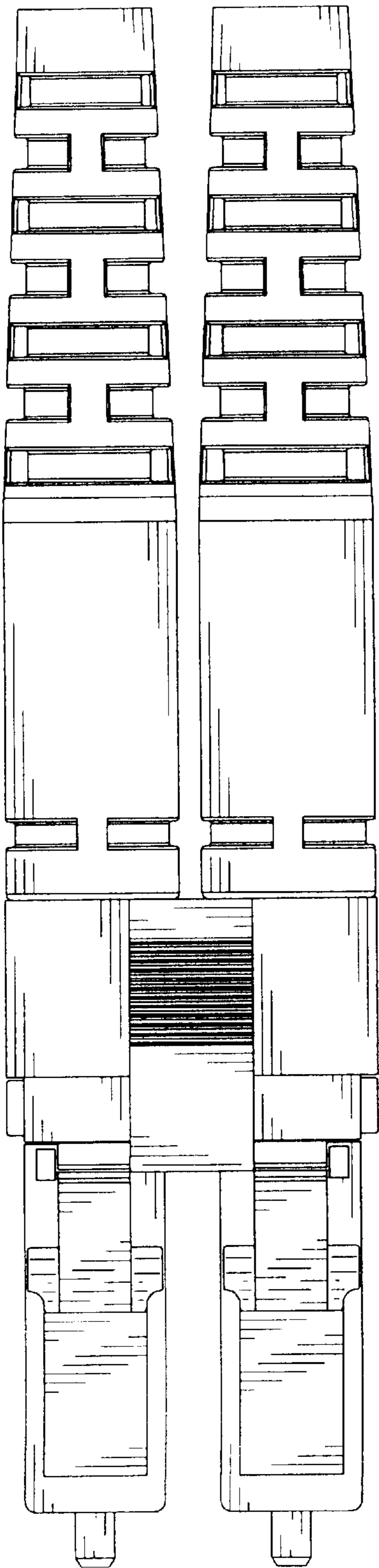


FIG. 6

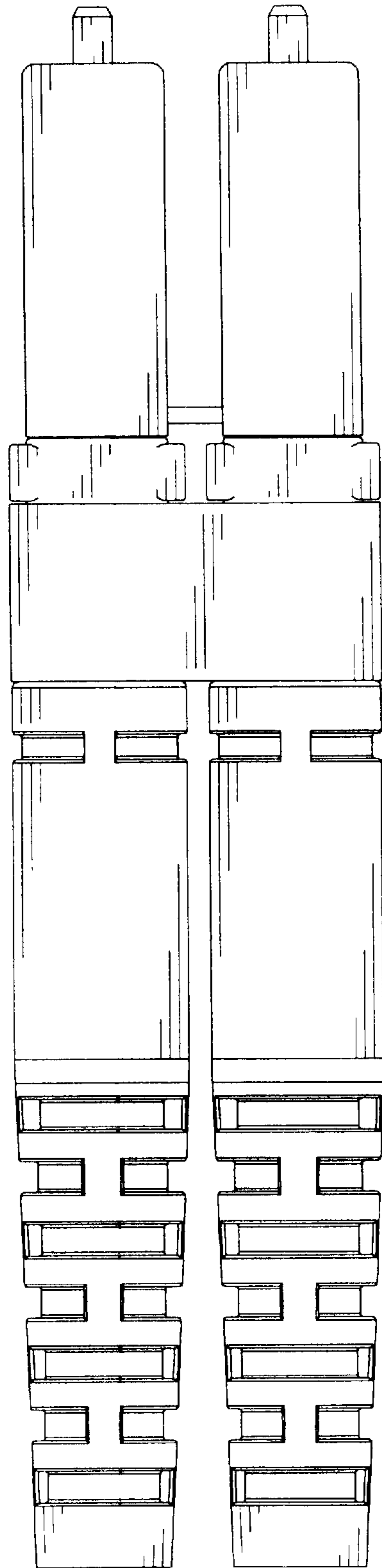


FIG. 7