



US00D481679S

(12) **United States Design Patent**
Garver

(10) **Patent No.:** **US D481,679 S**

(45) **Date of Patent:** **** Nov. 4, 2003**

(54) **CONNECTOR WITH AN OVERMOLDED
END CAP**

5,627,448 A * 5/1997 Okada et al. 439/133 X
D446,771 S * 8/2001 Bosatelli D13/146
D473,523 S * 4/2003 Garver D13/156

(75) Inventor: **Scott A. Garver**, Fort Wayne, IN (US)

* cited by examiner

(73) Assignee: **Lyll Assemblies, Inc.**, Albion, IN (US)

Primary Examiner—Joel Sincavage

(**) Term: **14 Years**

(74) *Attorney, Agent, or Firm*—Taylor & Aust, P.C.

(21) Appl. No.: **29/165,291**

(57) **CLAIM**

(22) Filed: **Aug. 7, 2002**

The ornamental design for a connector with an overmolded end cap, as shown and described.

(51) **LOC (7) Cl.** **13-03**

DESCRIPTION

(52) **U.S. Cl.** **D13/133; D13/146**

(58) **Field of Search** D13/133, 146,
D13/147; 439/248, 528, 536, 569, 544,
550

FIG. 1 is a perspective view of a connector with an overmolded end cap showing my new design, the portion in phantom lines illustrating a variable number of electrical terminals;

(56) **References Cited**

U.S. PATENT DOCUMENTS

3,008,116 A	*	11/1961	Blanchenot	439/317
3,315,131 A	*	4/1967	Klimack	361/601
3,755,771 A	*	8/1973	Brush	439/248
3,901,574 A	*	8/1975	Paullus et al.	439/315
3,951,500 A	*	4/1976	Anderson	439/248
4,030,797 A	*	6/1977	Nieman	439/248
4,227,765 A	*	10/1980	Neumann et al.	439/248
4,662,692 A	*	5/1987	Uken et al.	439/426

FIG. 2 is an end view thereof;

FIG. 3 is a side view thereof;

FIG. 4 is another side view thereof;

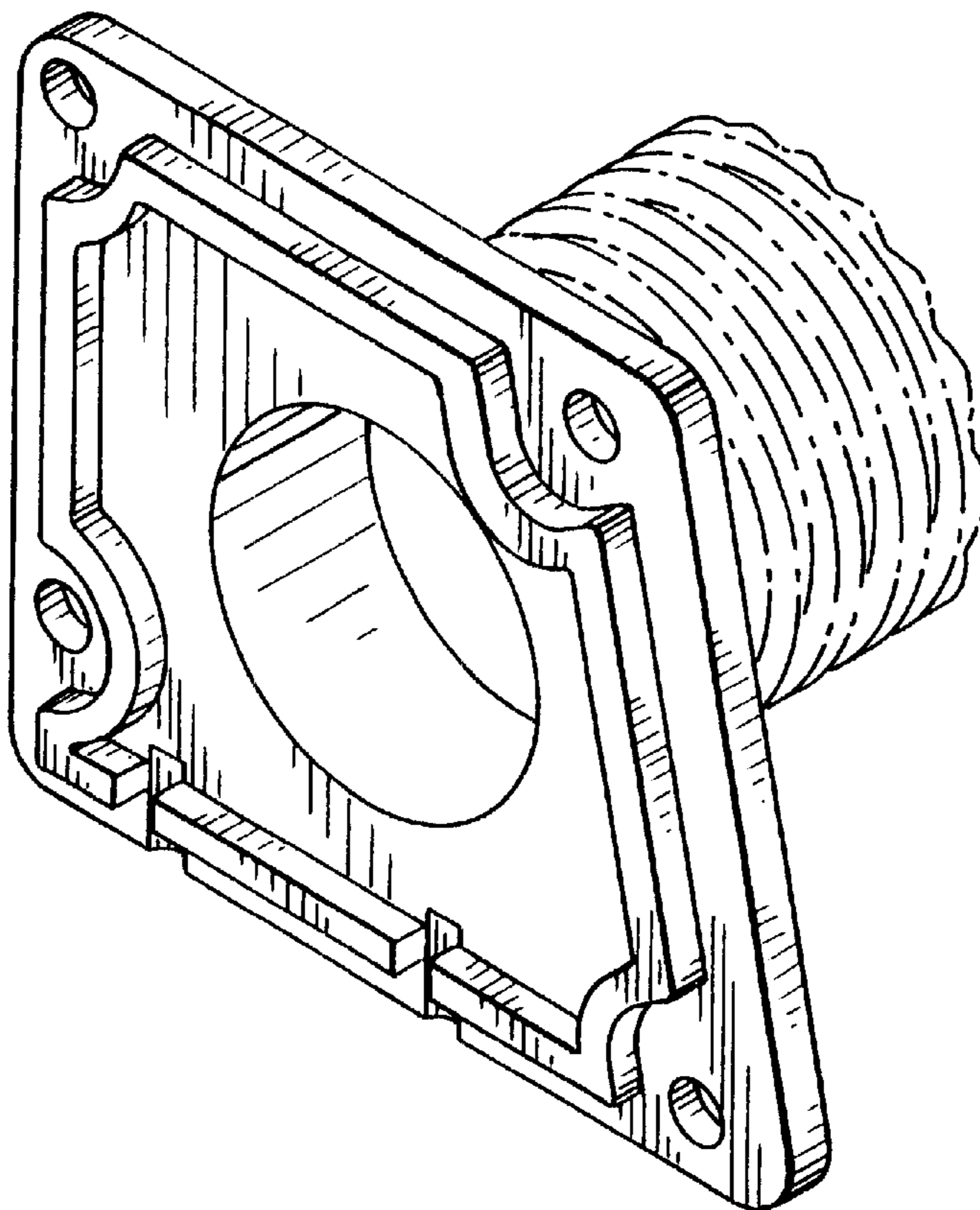
FIG. 5 is another end view thereof;

FIG. 6 is a top view thereof; and,

FIG. 7 is a bottom view thereof.

The broken lines in FIGS. 1, 2 and 5 are included for the purpose of illustrating portions of the connector that form no part of the claimed design.

1 Claim, 2 Drawing Sheets



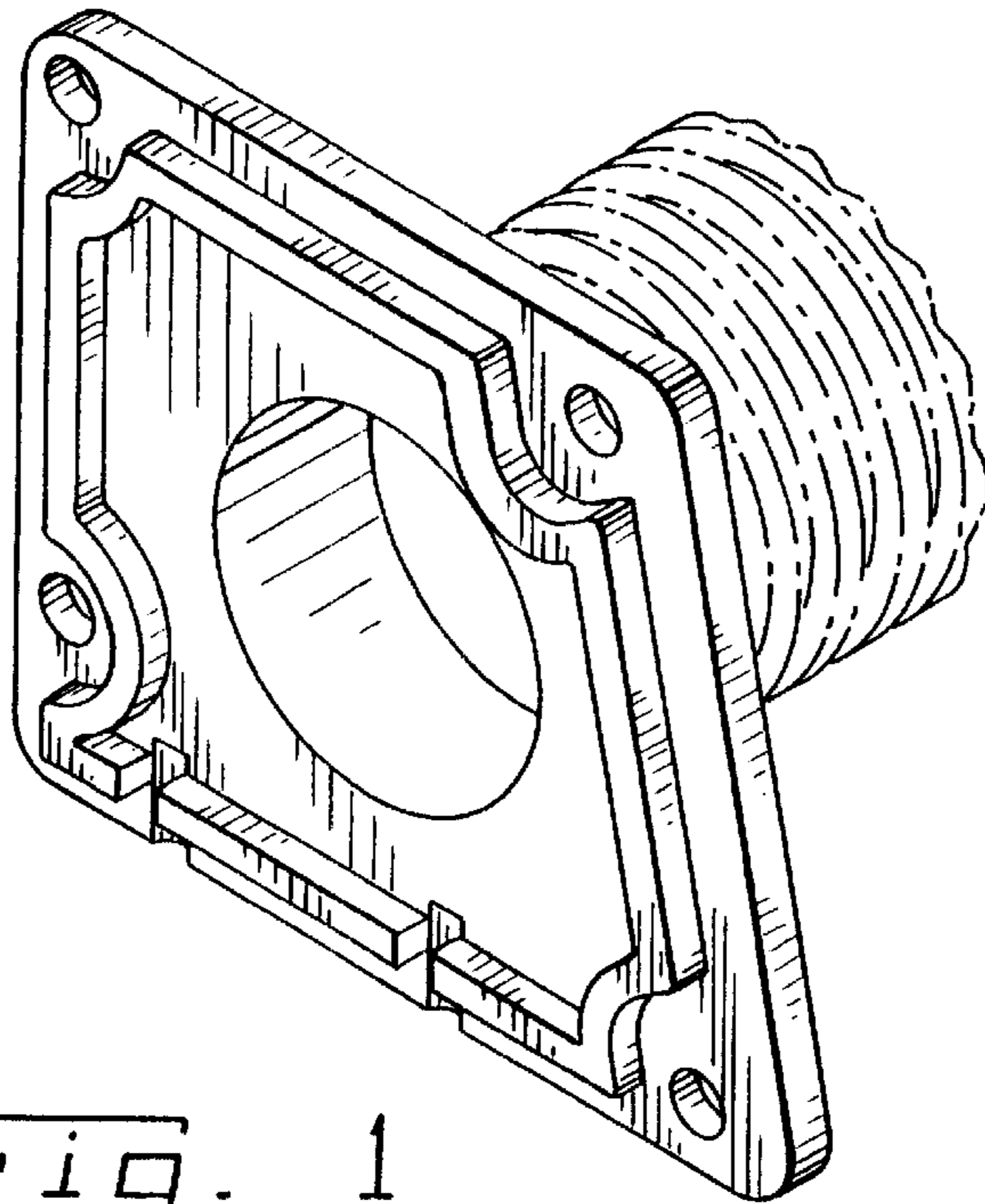


Fig. 1

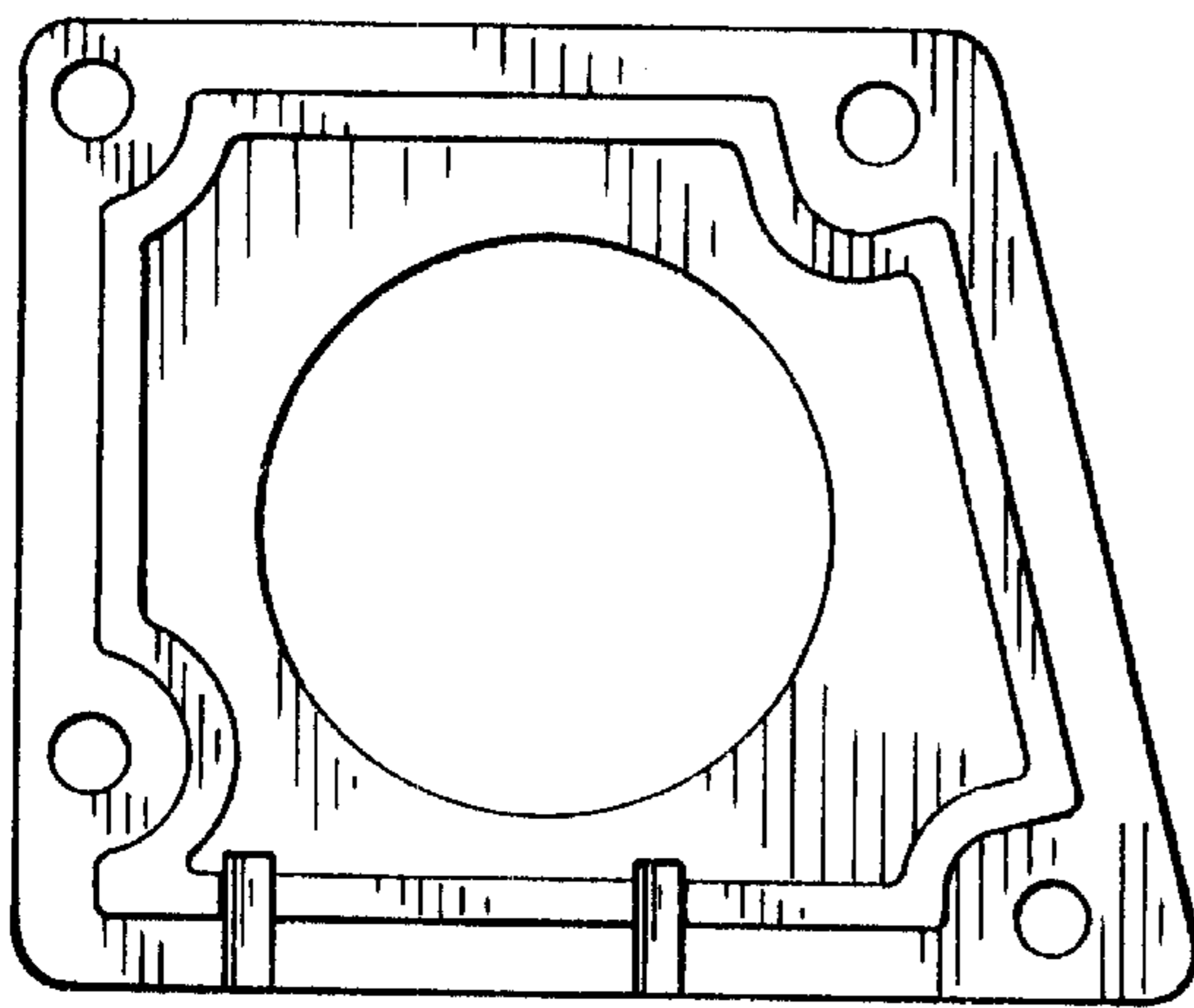


Fig. 2

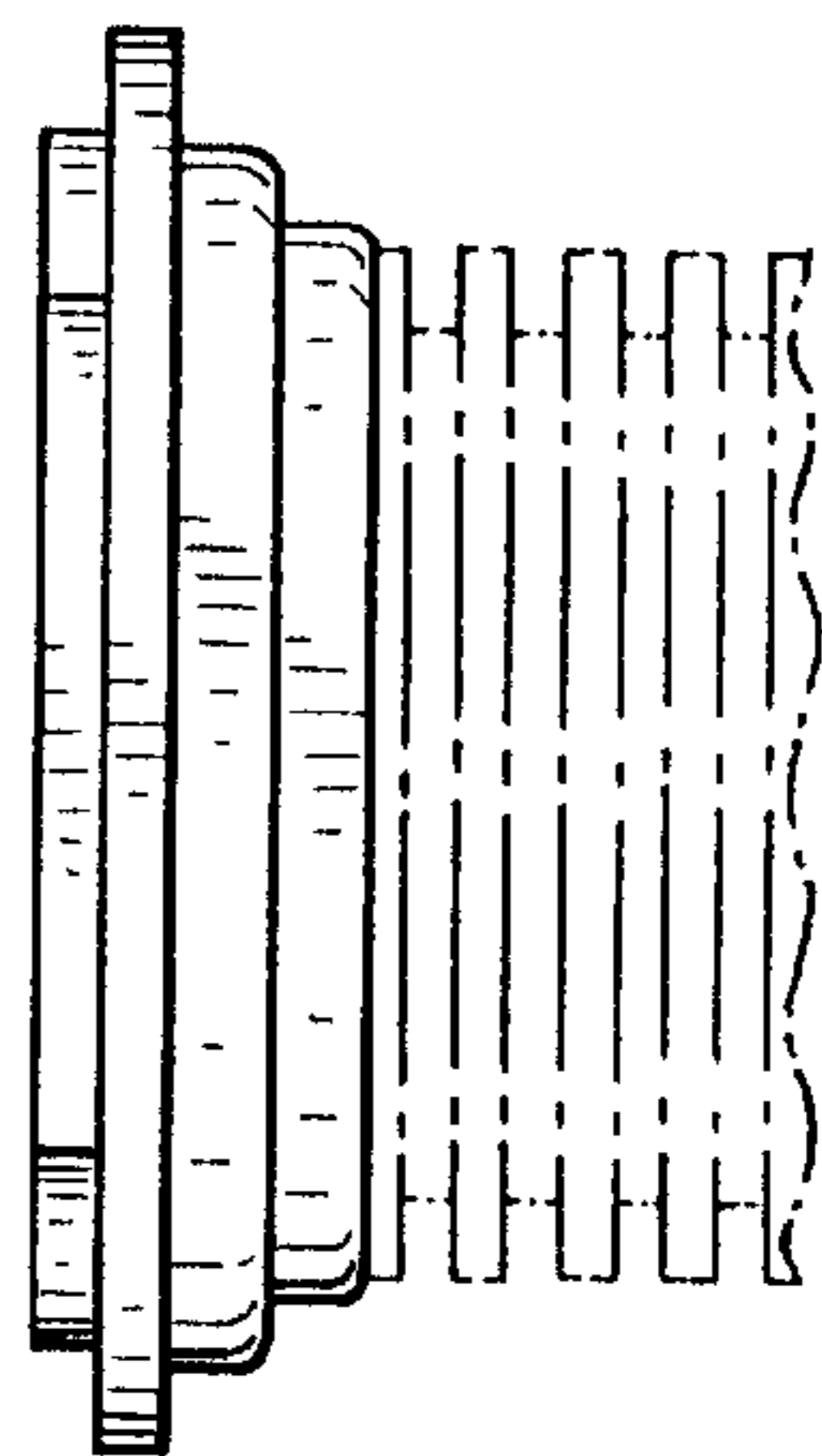


Fig. 3

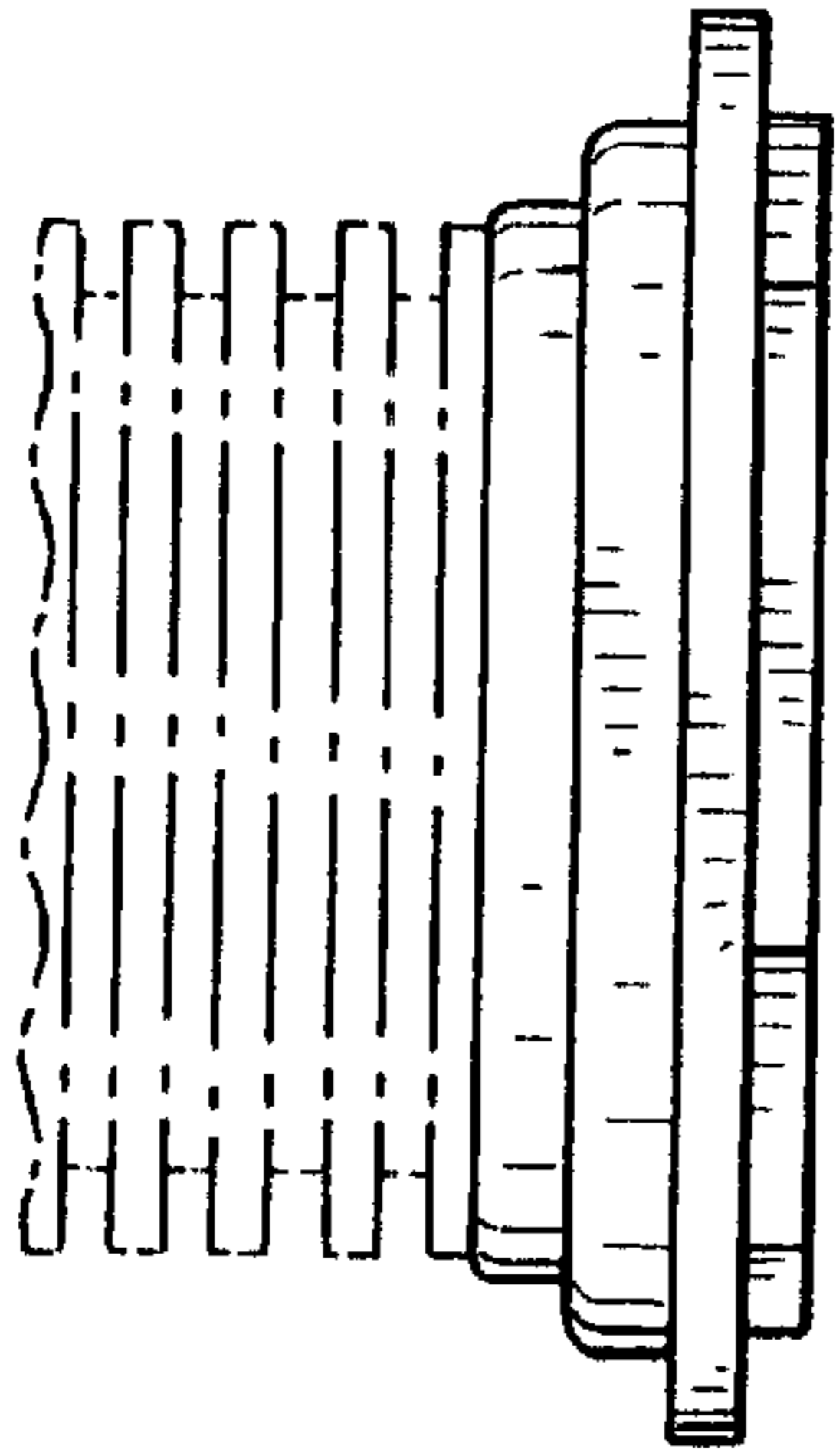


Fig. 4

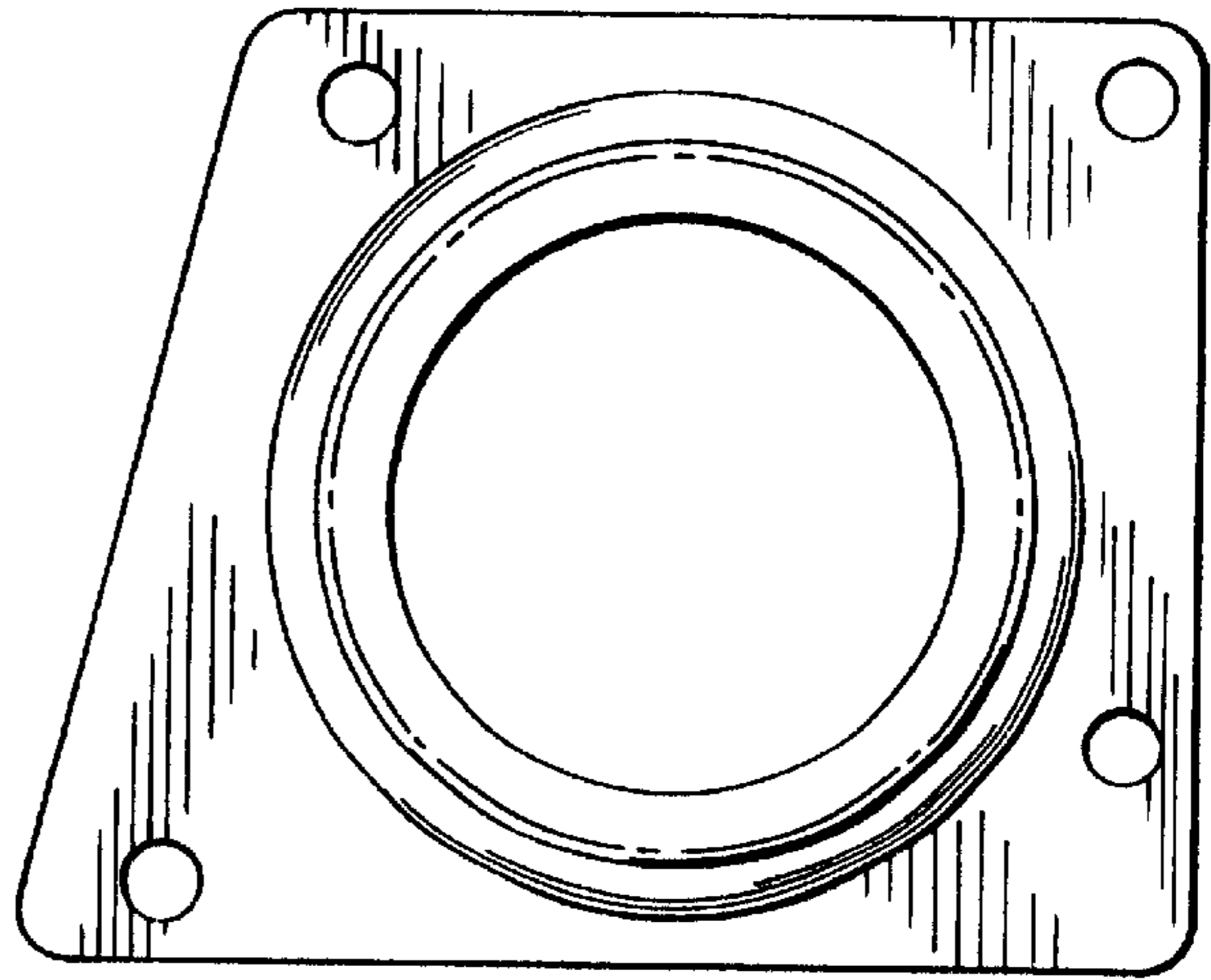


Fig. 5

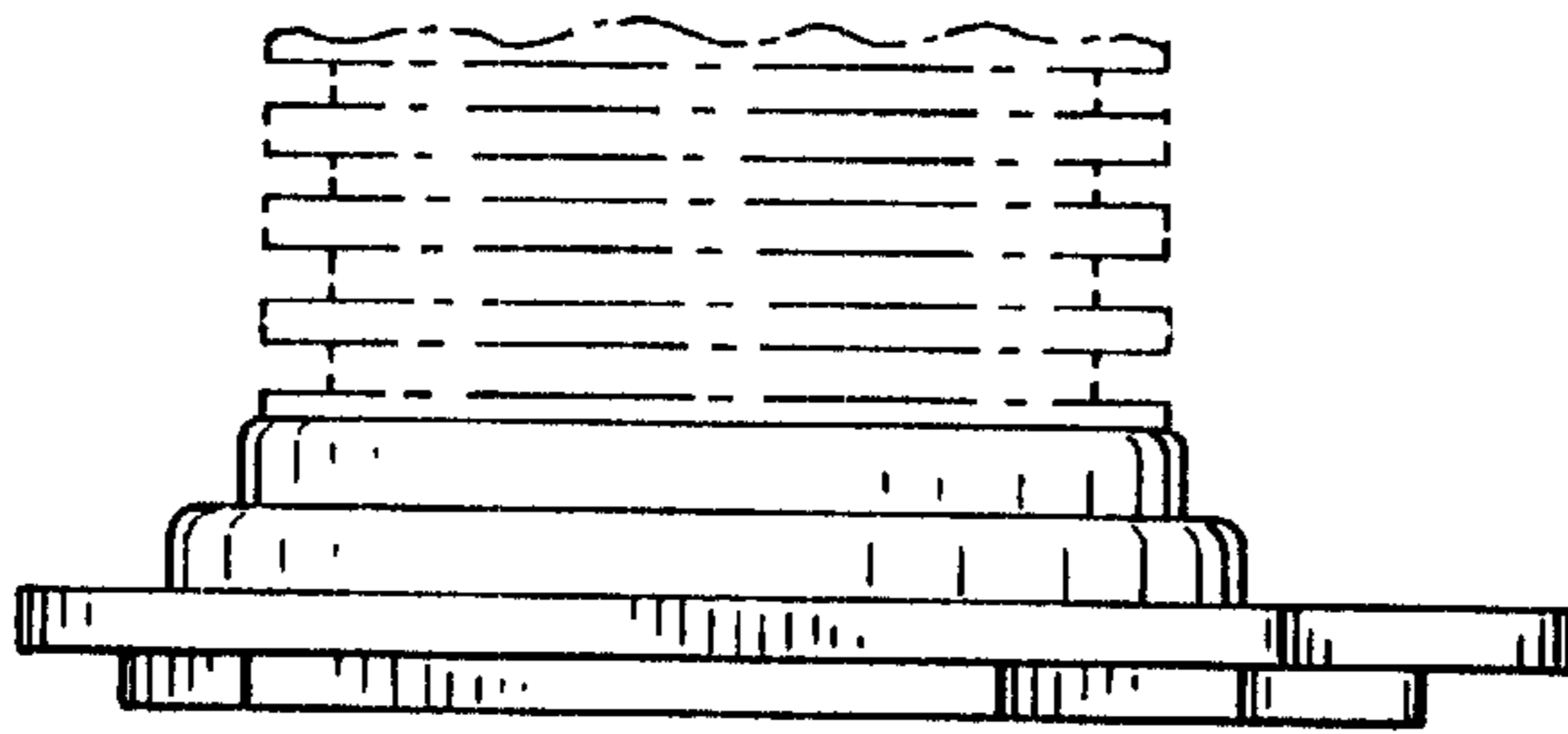


Fig. 6

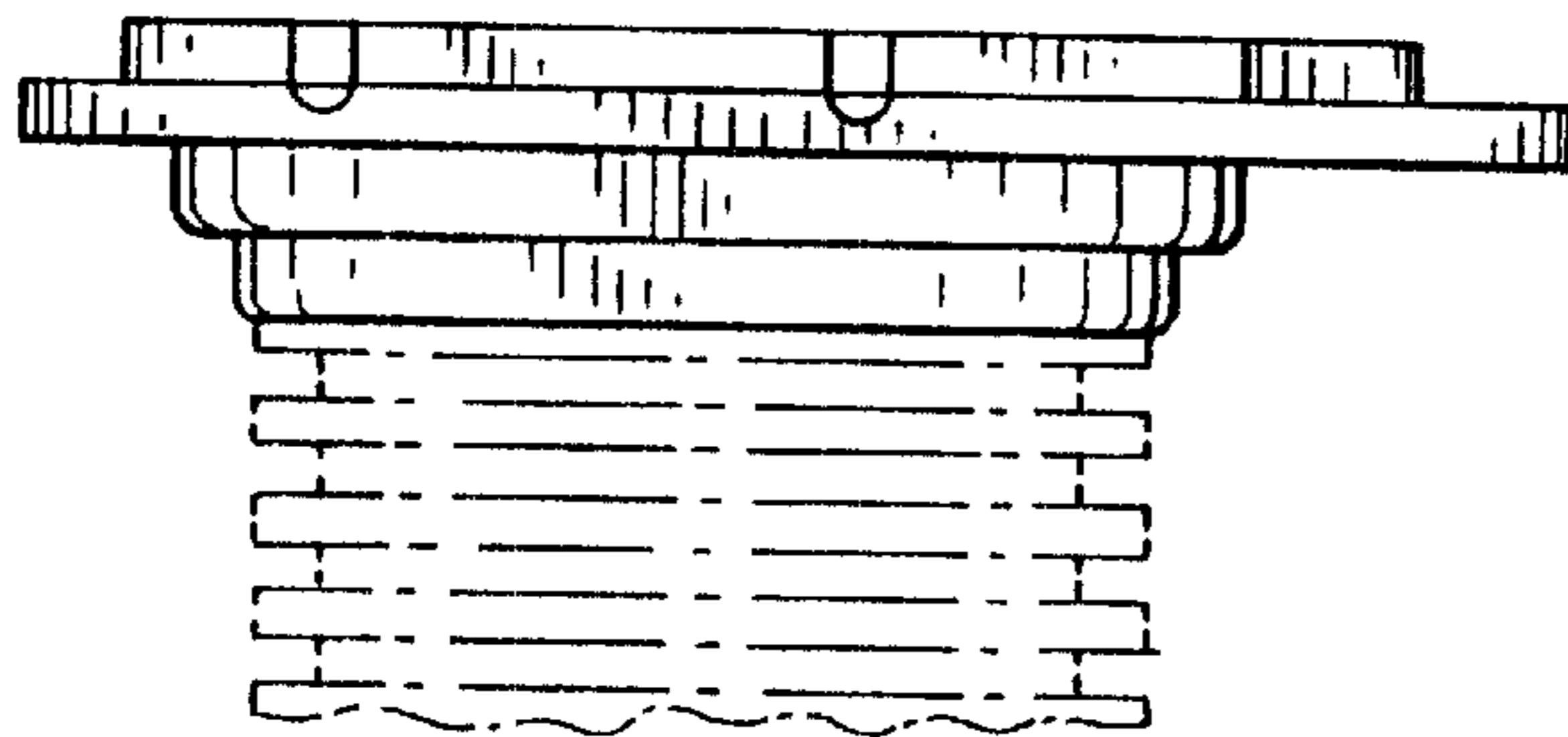


Fig. 7