



US00D481676S

(12) **United States Design Patent**  
**Huang**

(10) **Patent No.:** **US D481,676 S**

(45) **Date of Patent:** **\*\* Nov. 4, 2003**

(54) **OPTICAL SMALL FORM FACTOR  
TRANSCEIVER**

(75) **Inventor:** **Nan Tsung Huang, Tu-Chen (TW)**

(73) **Assignee:** **Hon Hai Precision Ind. Co., Ltd.,  
Taipei Hsien (TW)**

(\*\*) **Term:** **14 Years**

(21) **Appl. No.:** **29/163,510**

(22) **Filed:** **Jul. 5, 2002**

(30) **Foreign Application Priority Data**

Jun. 13, 2002 (TW) ..... 91303033

(51) **LOC (7) Cl.** ..... **13-03**

(52) **U.S. Cl.** ..... **D13/123**

(58) **Field of Search** ..... D13/123; 361/728;  
439/607; 385/92

(56) **References Cited**

**U.S. PATENT DOCUMENTS**

6,066,001 A \* 5/2000 Liptak et al. .... 439/607

6,149,465 A \* 11/2000 Berg et al. .... 439/630

6,287,128 B1 \* 9/2001 Jones et al. .... 439/76.1

6,347,954 B1 \* 2/2002 Jones et al. .... 439/358

6,350,063 B1 \* 2/2002 Gilliland et al. .... 385/88

\* cited by examiner

*Primary Examiner*—Holly Baynham

(74) *Attorney, Agent, or Firm*—Wei Te Chung

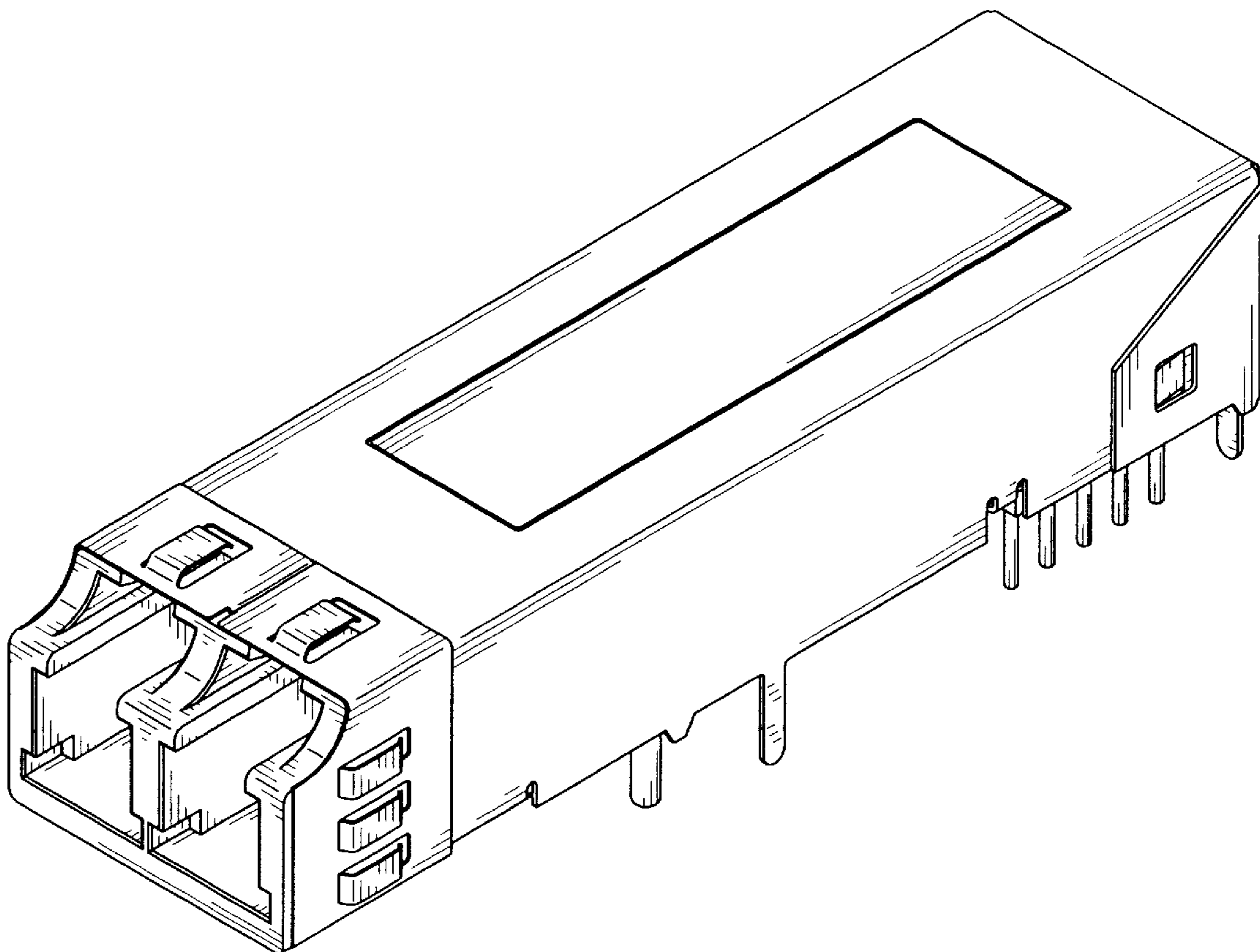
(57) **CLAIM**

The ornamental design for an optical small form factor transceiver, as shown and described.

**DESCRIPTION**

FIG. 1 is a perspective view of an optical small form factor transceiver showing my new design;  
FIG. 2 is a front view thereof;  
FIG. 3 is a rear view thereof;  
FIG. 4 is a left side elevational view thereof;  
FIG. 5 is a right side elevational view thereof;  
FIG. 6 is a top plan view thereof; and,  
FIG. 7 is a bottom plan view thereof.

**1 Claim, 4 Drawing Sheets**



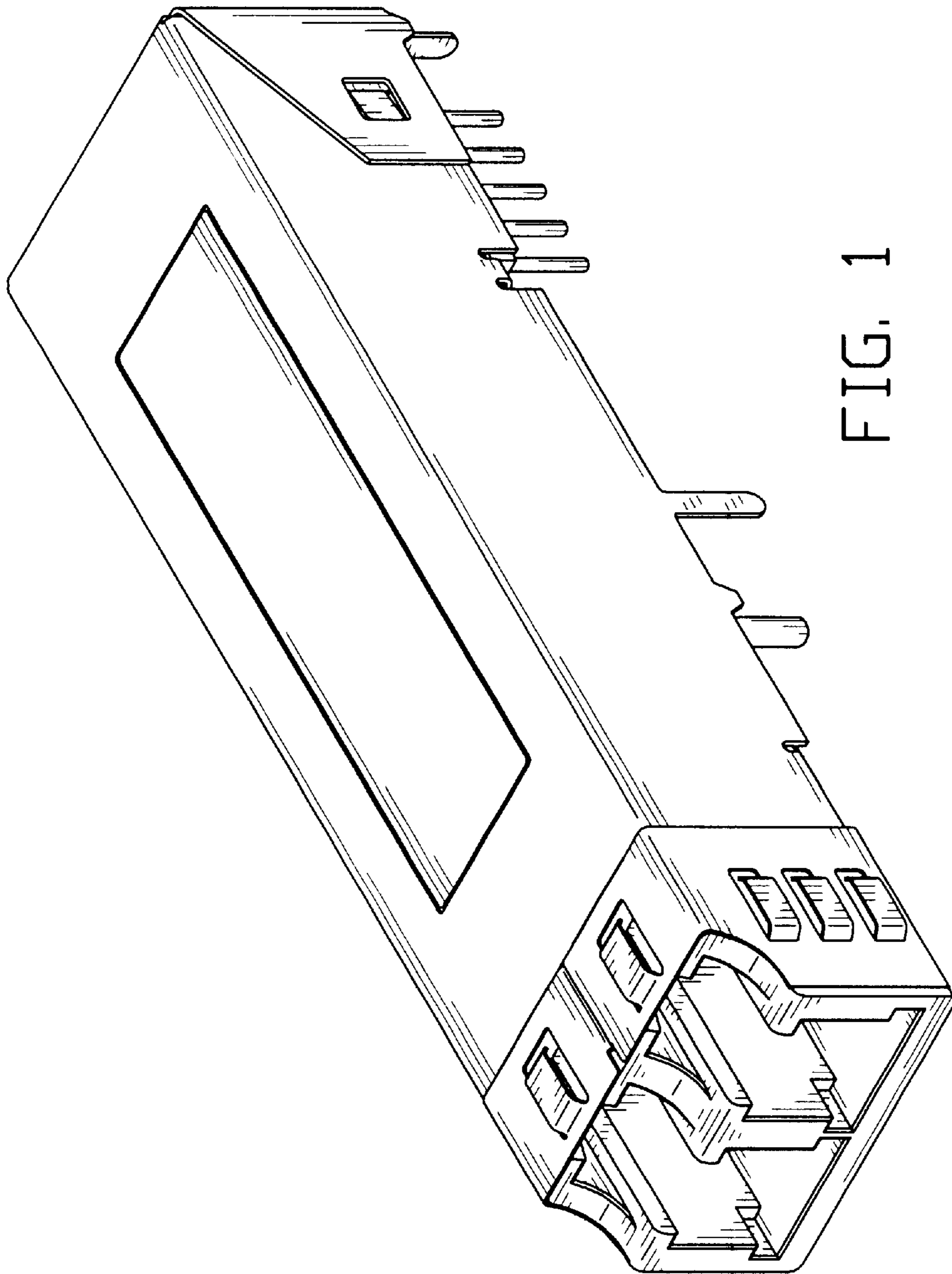


FIG. 1

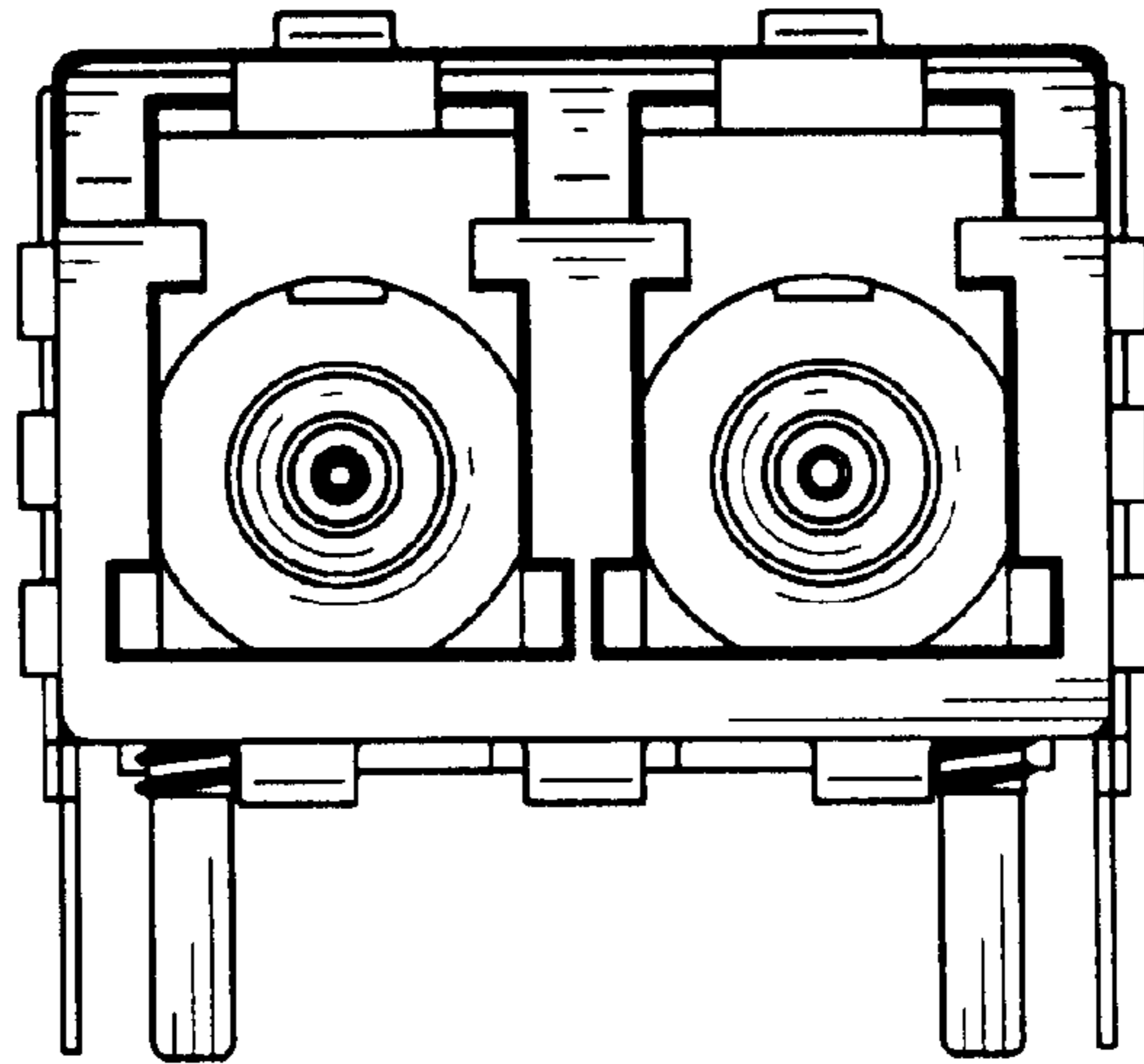


FIG. 2

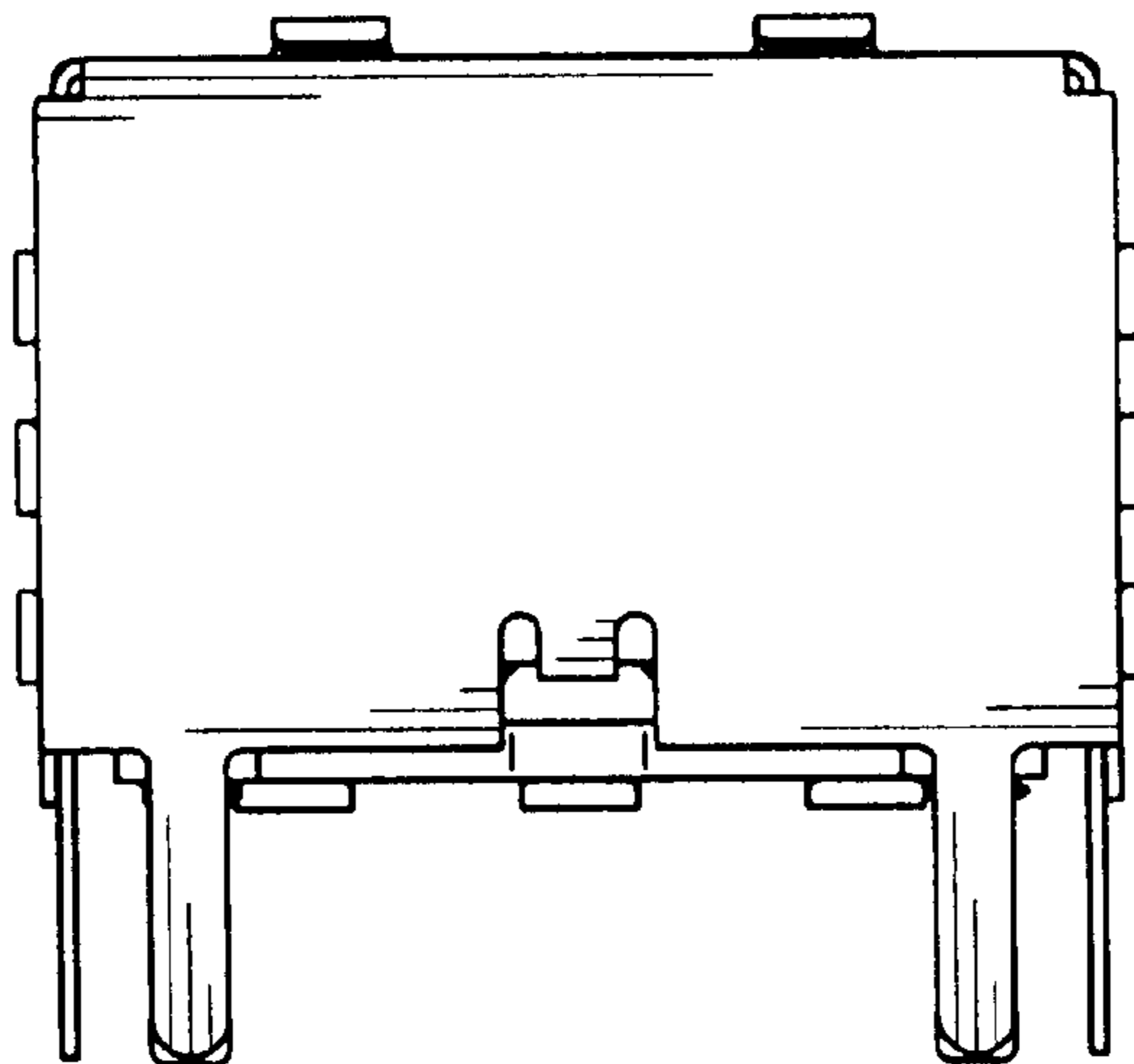


FIG. 3

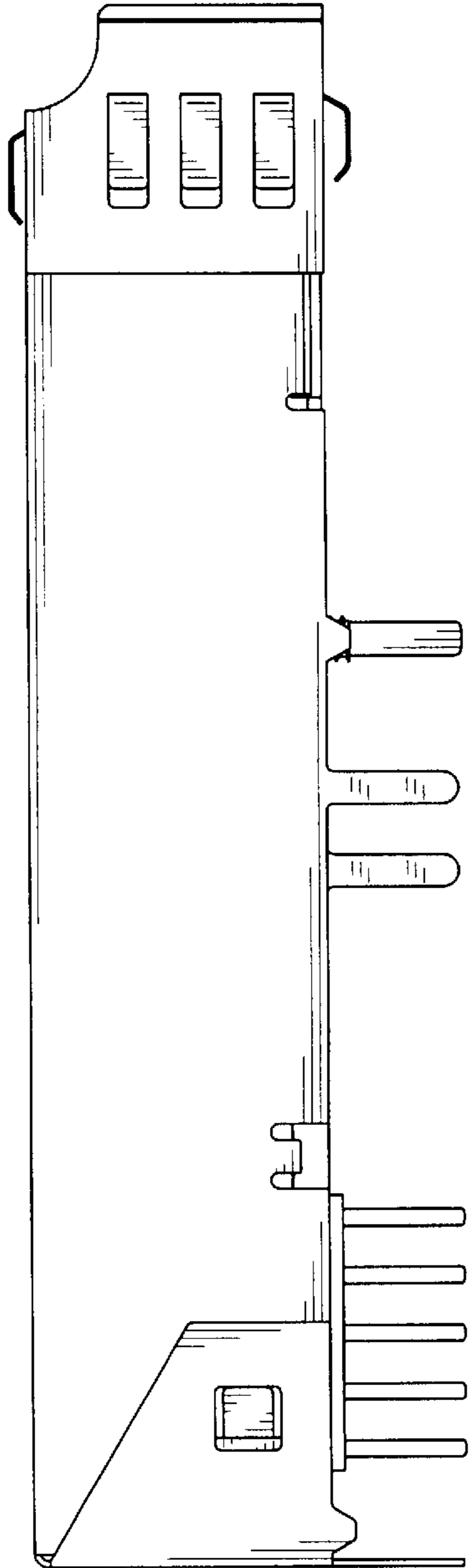


FIG. 4

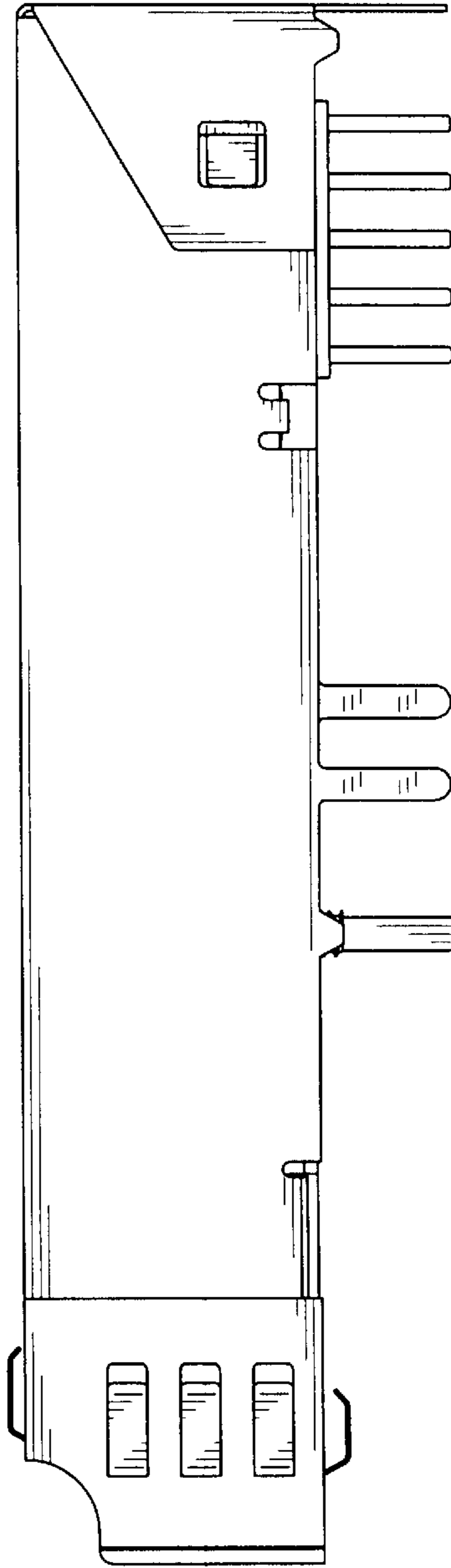


FIG. 5

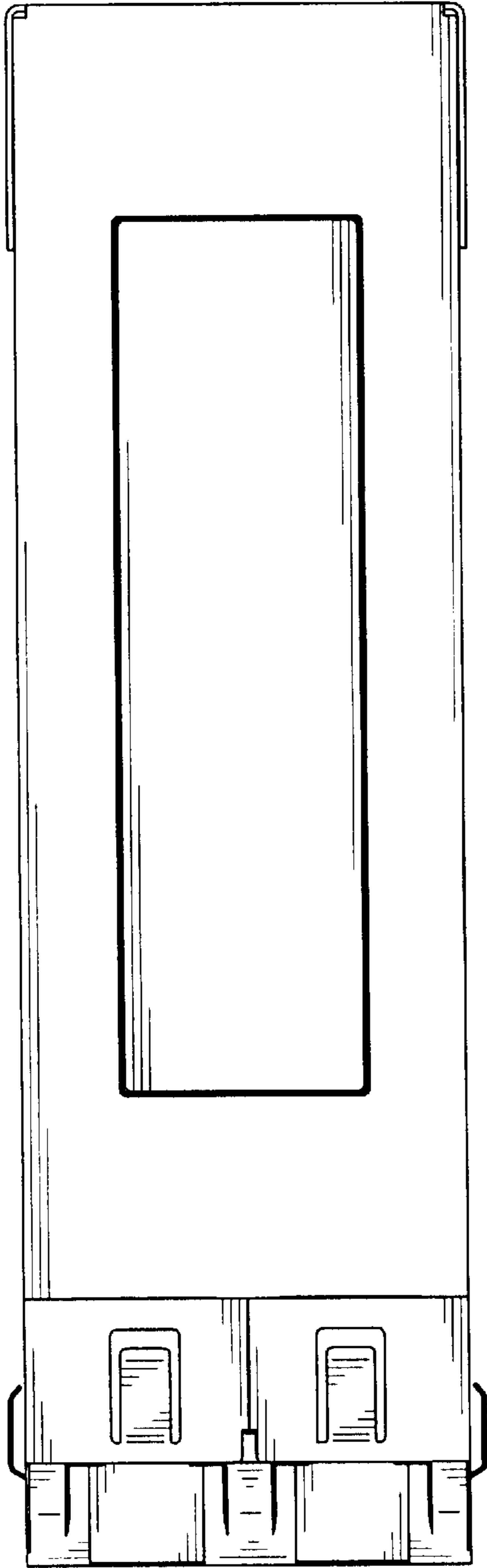


FIG. 6

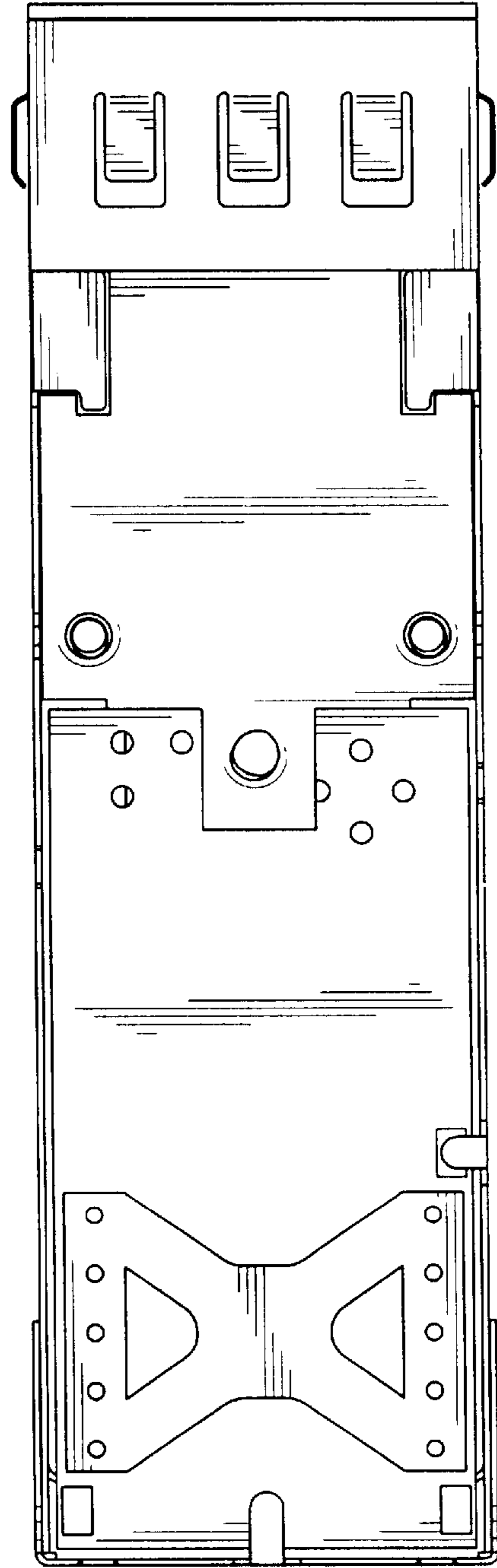


FIG. 7