



US00D481675S

(12) **United States Design Patent**
Ng

(10) **Patent No.:** **US D481,675 S**

(45) **Date of Patent:** **** Nov. 4, 2003**

(54) **CHARGING CRADLE**

(75) **Inventor:** **David Wai Wah Ng, Yuen Long (HK)**

(73) **Assignee:** **One World Technologies Limited,**
Hamilton (BM)

(**) **Term:** **14 Years**

(21) **Appl. No.:** **29/171,570**

(22) **Filed:** **Nov. 25, 2002**

(51) **LOC (7) Cl.** **13-02**

(52) **U.S. Cl.** **D13/108**

(58) **Field of Search** **D13/107, 108;**
320/107-115

(56) **References Cited**

U.S. PATENT DOCUMENTS

D217,916 S	*	6/1970	Skaneateles	D13/108 X
4,096,428 A	*	6/1978	Hanson et al.	320/107
4,672,292 A	*	6/1987	Hernandez	320/110
4,739,242 A	*	4/1988	McCarty et al.	320/110
D295,601 S		5/1988	Svetlik	D8/61
D296,654 S	*	7/1988	Svetlik	D8/61
D298,009 S	*	10/1988	Svetlik	D8/61
4,803,341 A	*	2/1989	Barowski et al.	D13/108 X
D303,107 S		8/1989	Maglica et al.	D13/6
D304,543 S		11/1989	Somers et al.	D8/61
D322,205 S		12/1991	Liu	D8/61
D325,503 S		4/1992	Kikuchi et al.	D8/61
D354,168 S		1/1995	Hartwein	D4/108

D359,721 S	*	6/1995	Laun	D13/110
5,525,889 A		6/1996	Chan et al.	320/2
D400,165 S		10/1998	Nagele et al.	D13/108
D400,166 S	*	10/1998	Concari et al.	D13/108
D441,267 S		5/2001	Heun	D8/61
D443,491 S		6/2001	Robson	D8/61
6,316,911 B1	*	11/2001	Moskowitz et al.	320/114
D453,731 S		2/2002	Hauptli	D13/108

* cited by examiner

Primary Examiner—Joel Sincavage

(74) *Attorney, Agent, or Firm*—Andrew Y. Pang; Nexsen Pruet Jacobs & Pollard, LLC

(57) **CLAIM**

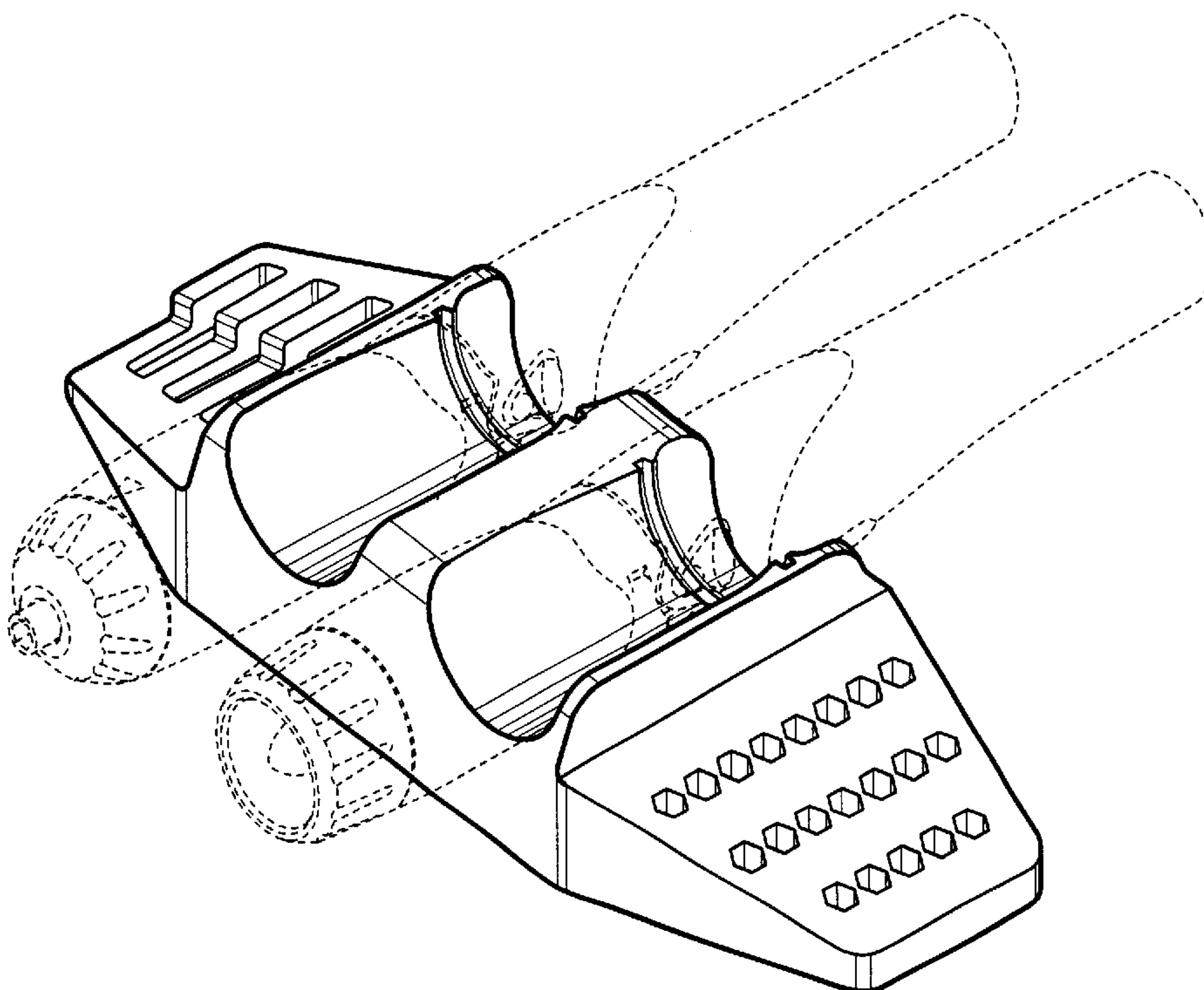
The ornamental design for a charging cradle, as shown and described.

DESCRIPTION

FIG. 1 is a perspective view of the charging cradle of the present invention;
FIG. 2 is a left side elevational view thereof;
FIG. 3 is a right side elevational view thereof;
FIG. 4 is a rear elevational view thereof;
FIG. 5 is a front elevational view thereof;
FIG. 6 is a top view thereof; and,
FIG. 7 is a bottom view thereof.

The broken lines shown in FIGS. 1 through 7 are for illustrative purposes only and form no part of the claimed design.

1 Claim, 3 Drawing Sheets



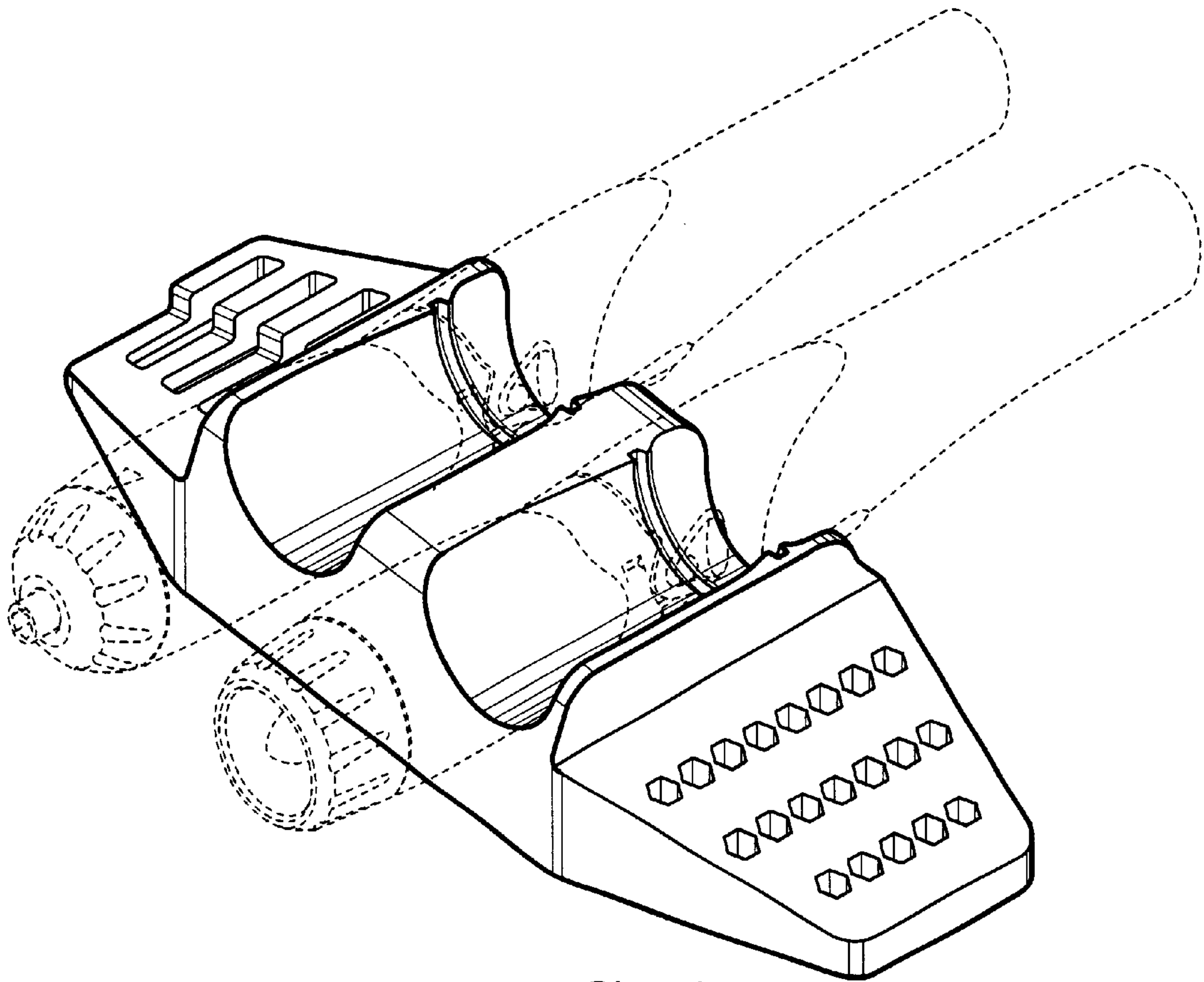


FIG. 1

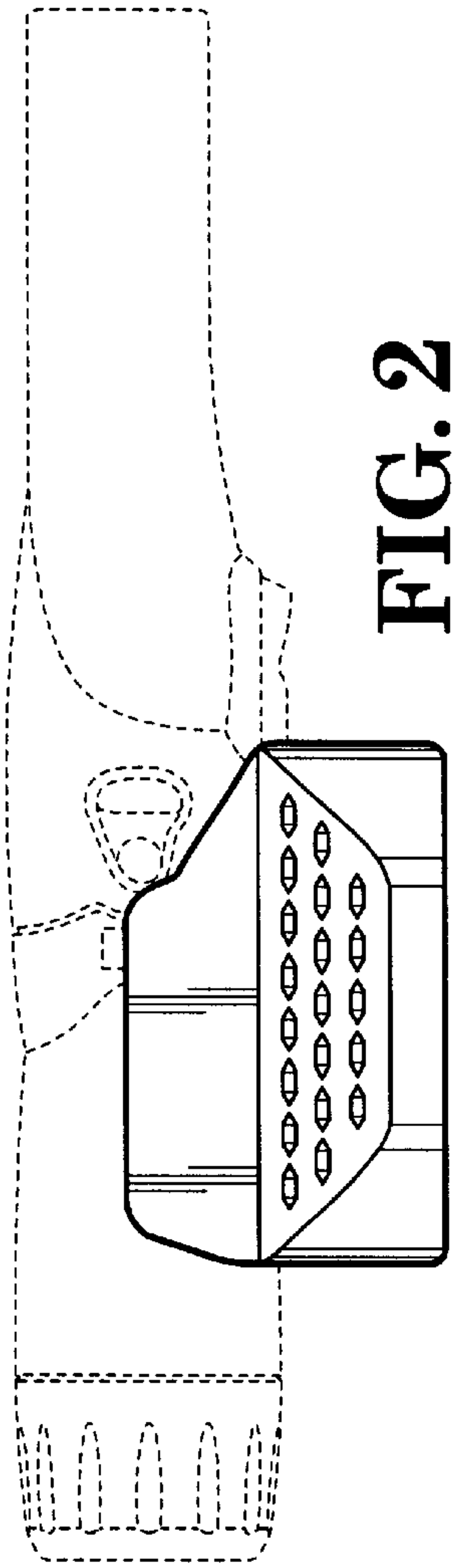


FIG. 2

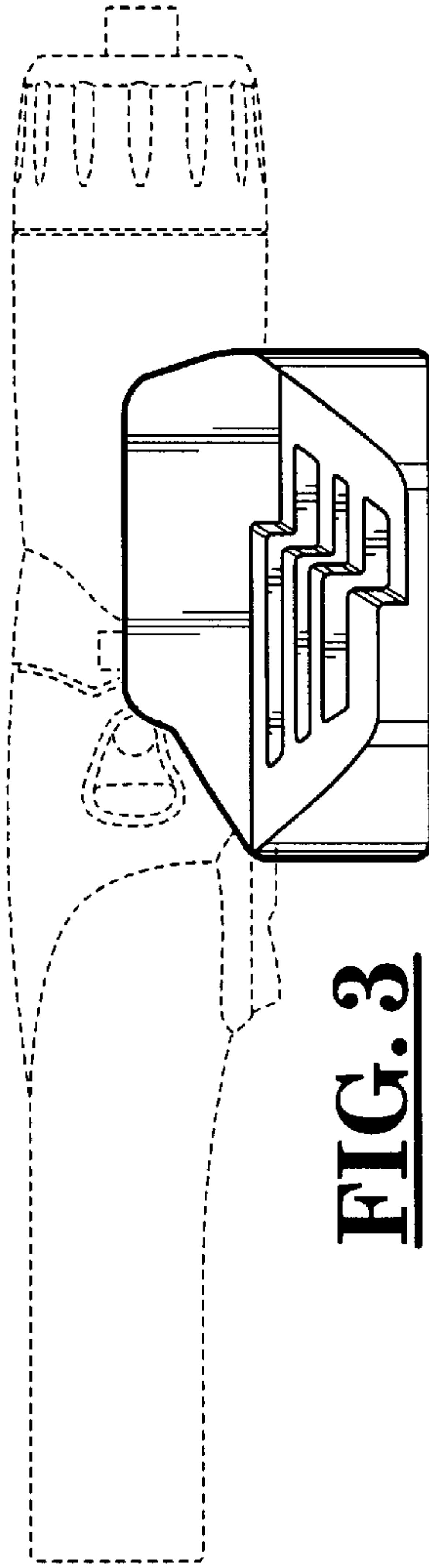


FIG. 3

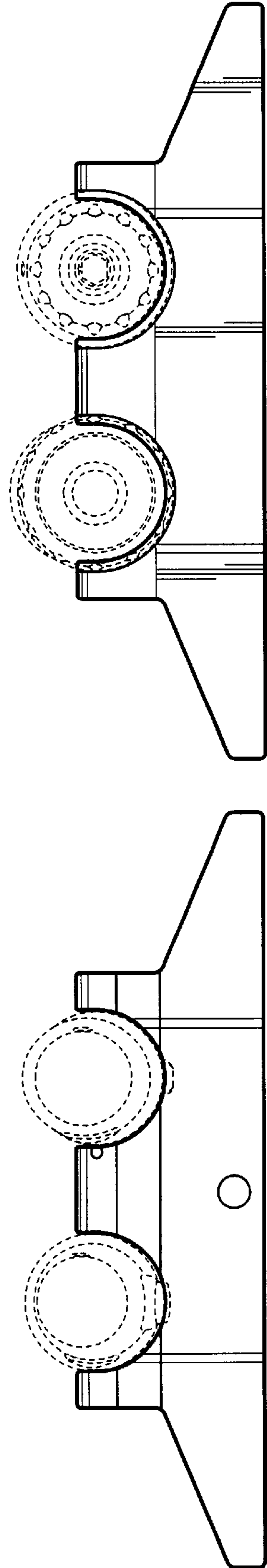


FIG. 4

FIG. 5

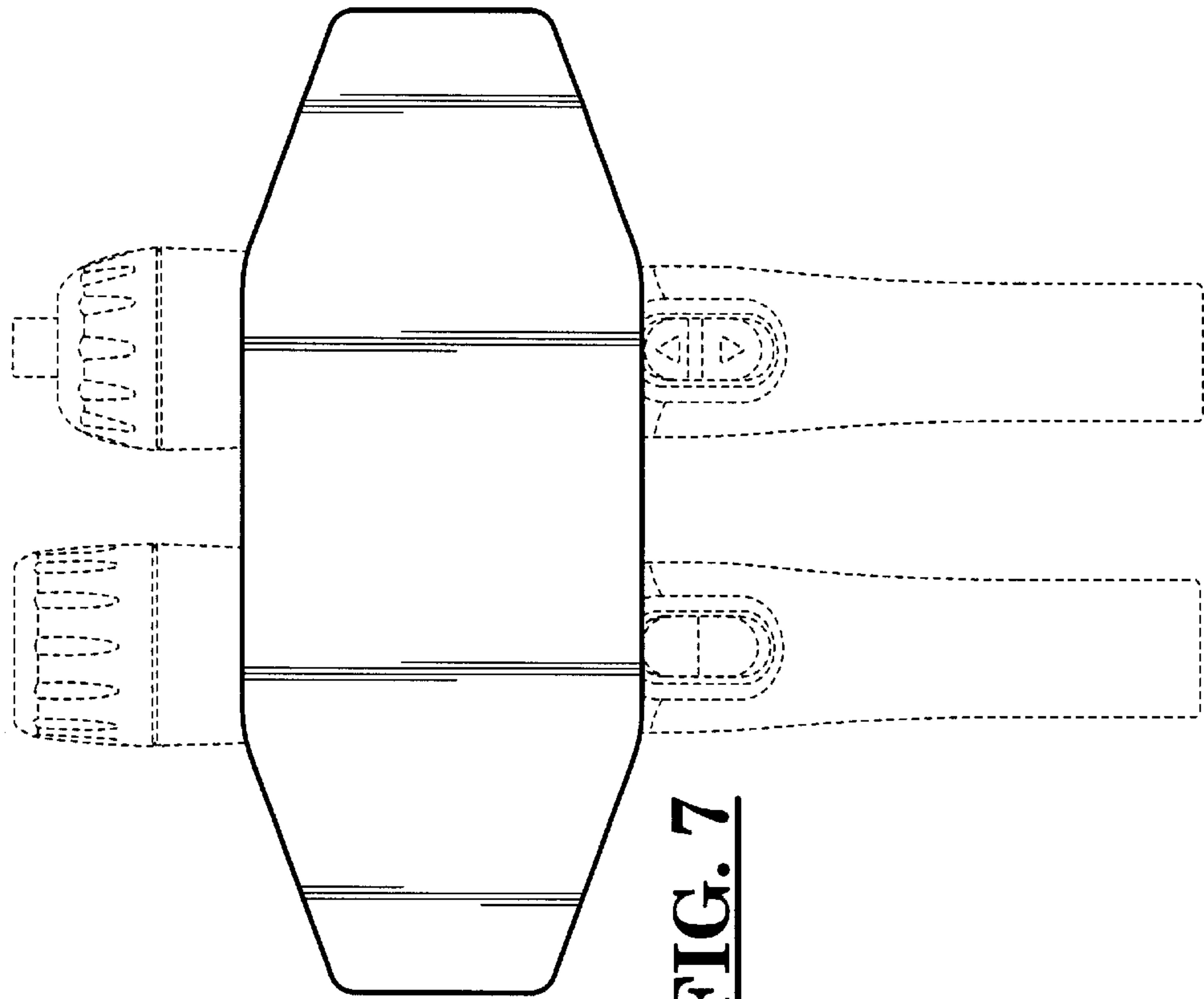


FIG. 7

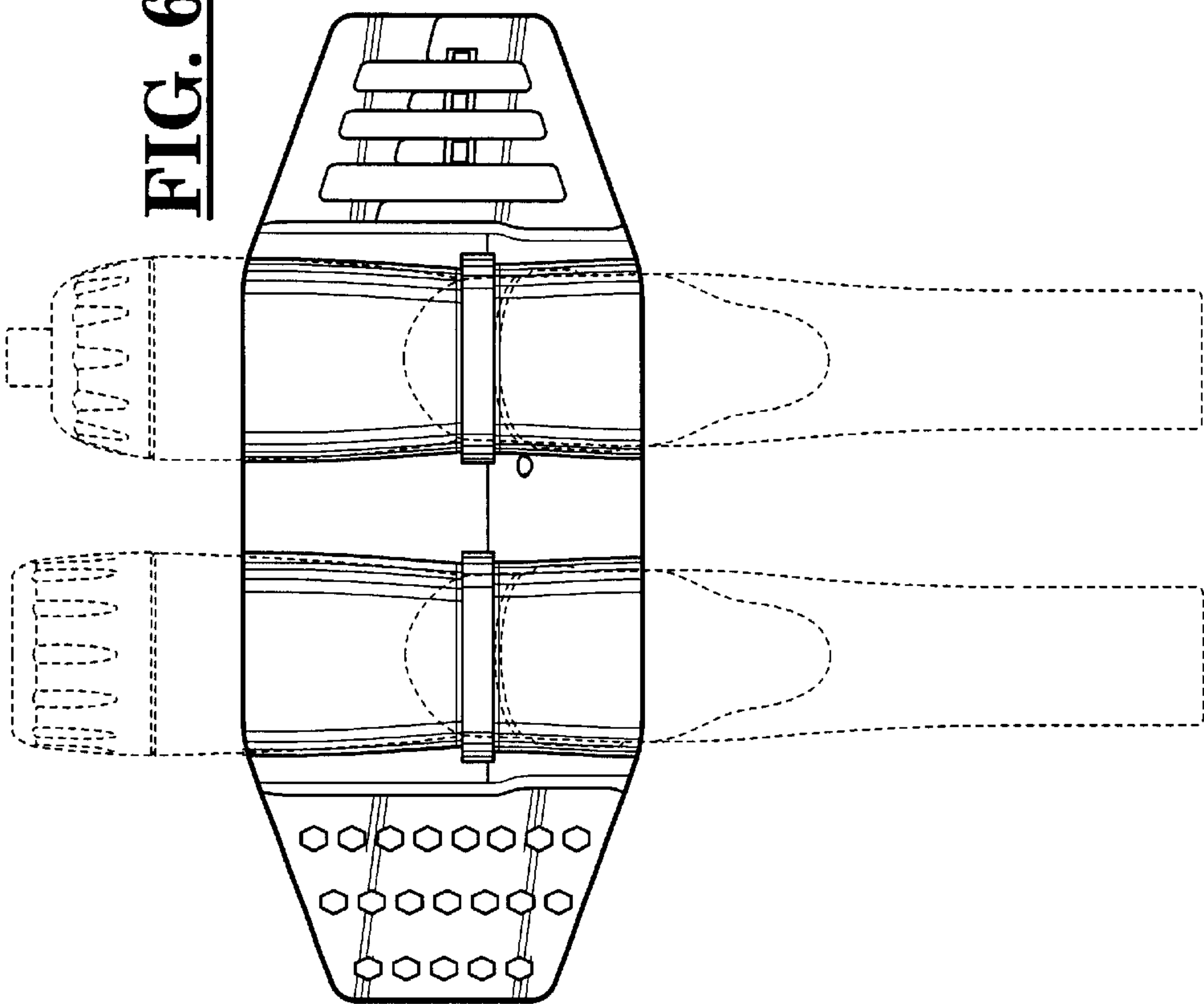


FIG. 6