



US00D481664S

(12) **United States Design Patent**
Vian

(10) **Patent No.:** **US D481,664 S**

(45) **Date of Patent:** **** Nov. 4, 2003**

(54) **VEHICLE WHEEL**

(75) Inventor: **Paolo Vian**, Tregnago (IT)

(73) Assignee: **Breed Automotive Technology, Inc.**,
Lakeland, FL (US)

(**) Term: **14 Years**

(21) Appl. No.: **29/177,959**

(22) Filed: **Mar. 20, 2003**

(30) **Foreign Application Priority Data**

Dec. 12, 2002 (IT) MI200200841

(51) **LOC (7) Cl.** **12-16**

(52) **U.S. Cl.** **D12/211**

(58) **Field of Search** D12/204-211;
301/37.101, 64.101, 65

(56) **References Cited**

U.S. PATENT DOCUMENTS

D375,073 S * 10/1996 Theiss D12/209
D383,429 S * 9/1997 Muzzarelli et al. D12/211
D392,237 S * 3/1998 Kelley D12/209

D402,952 S * 12/1998 Sycha D12/211
D407,057 S * 3/1999 Goplen D12/211
D412,149 S * 7/1999 Corioni D12/211
D444,118 S * 6/2001 Chung D12/211
D456,335 S * 4/2002 Chung D12/211
D459,692 S * 7/2002 Vian D12/211
D460,941 S * 7/2002 Muzzarelli D12/211
D463,349 S * 9/2002 Vian D12/209
D466,067 S * 11/2002 Muzzarelli D12/211
D470,093 S * 2/2003 Frizzi D12/209

* cited by examiner

Primary Examiner—Stacia Cadmus

(74) *Attorney, Agent, or Firm*—Lonnie Drayer

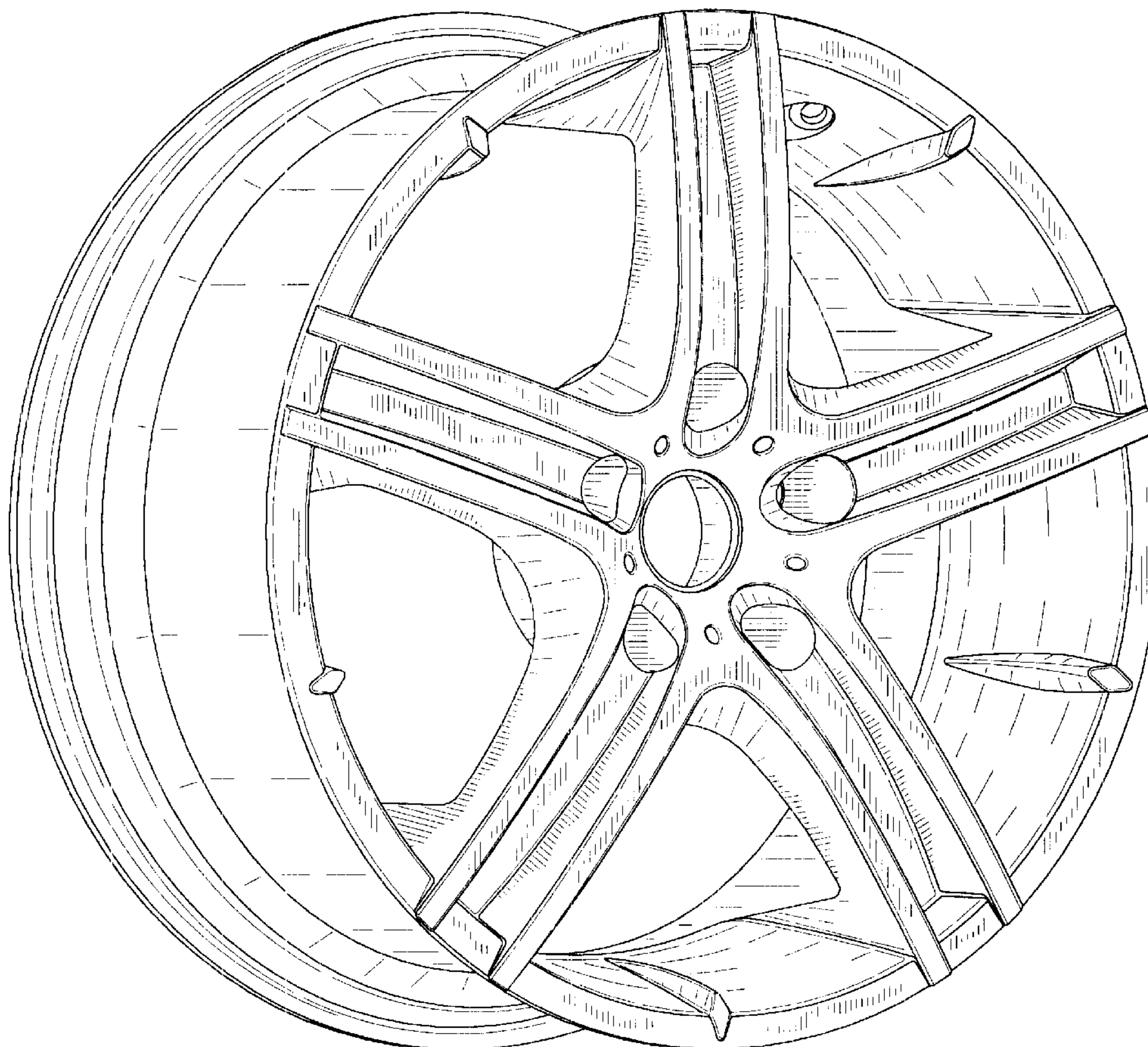
(57) **CLAIM**

I claim the ornamental design for a vehicle wheel, as shown and described.

DESCRIPTION

FIG. 1 is a perspective view of a vehicle wheel, showing my new design; and,
FIG. 2 is a front elevation view of the vehicle wheel shown in FIG. 1.

1 Claim, 2 Drawing Sheets



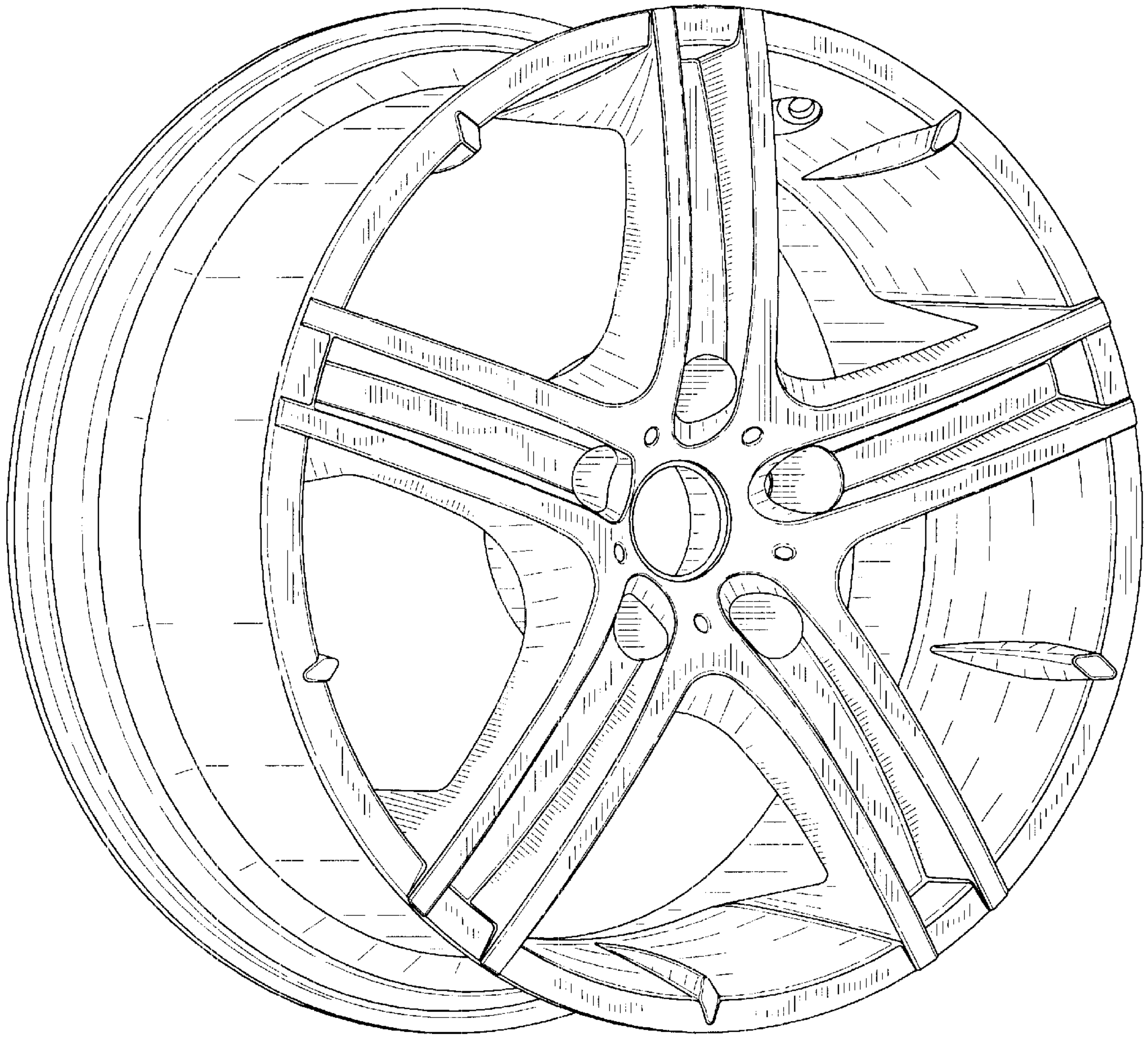


FIG-1

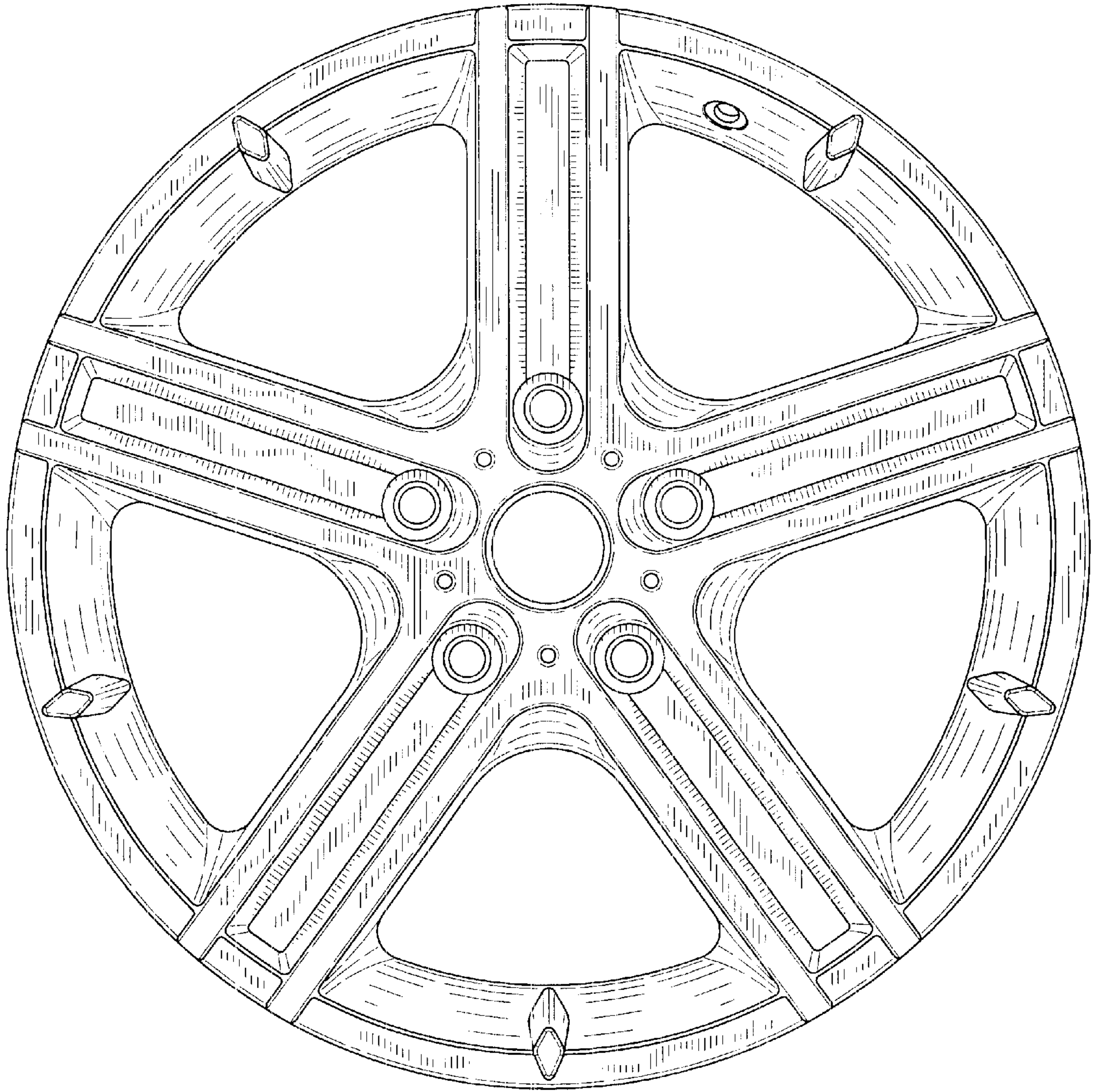


FIG-2