



US00D481659S

(12) **United States Design Patent**
Reimann

(10) **Patent No.:** **US D481,659 S**

(45) **Date of Patent:** **** Nov. 4, 2003**

(54) **SPRING CLIP FOR A DISC BRAKE**

(75) **Inventor:** **James Reimann**, New Buffalo, MI
(US)

(73) **Assignee:** **Robert Bosch Corporation**,
Broadview, IL (US)

(**) **Term:** **14 Years**

(21) **Appl. No.:** **29/172,962**

(22) **Filed:** **Dec. 19, 2002**

(51) **LOC (7) Cl.** **12-16**

(52) **U.S. Cl.** **D12/180**

(58) **Field of Search** D12/180; 188/73.31-73.34,
188/73.35, 218 XL, 250 B, 250 G, 264 AD,
264 G

(56) **References Cited**

U.S. PATENT DOCUMENTS

D357,663 S * 4/1995 Evans D12/180

5,467,848 A * 11/1995 Knez 188/73.45
5,538,105 A * 7/1996 Rike 188/73.32
D468,242 S * 1/2003 Ieda D12/180

* cited by examiner

Primary Examiner—Melody N. Brown

(74) *Attorney, Agent, or Firm*—Leo H McCormick, Jr.;
Warren Comstock

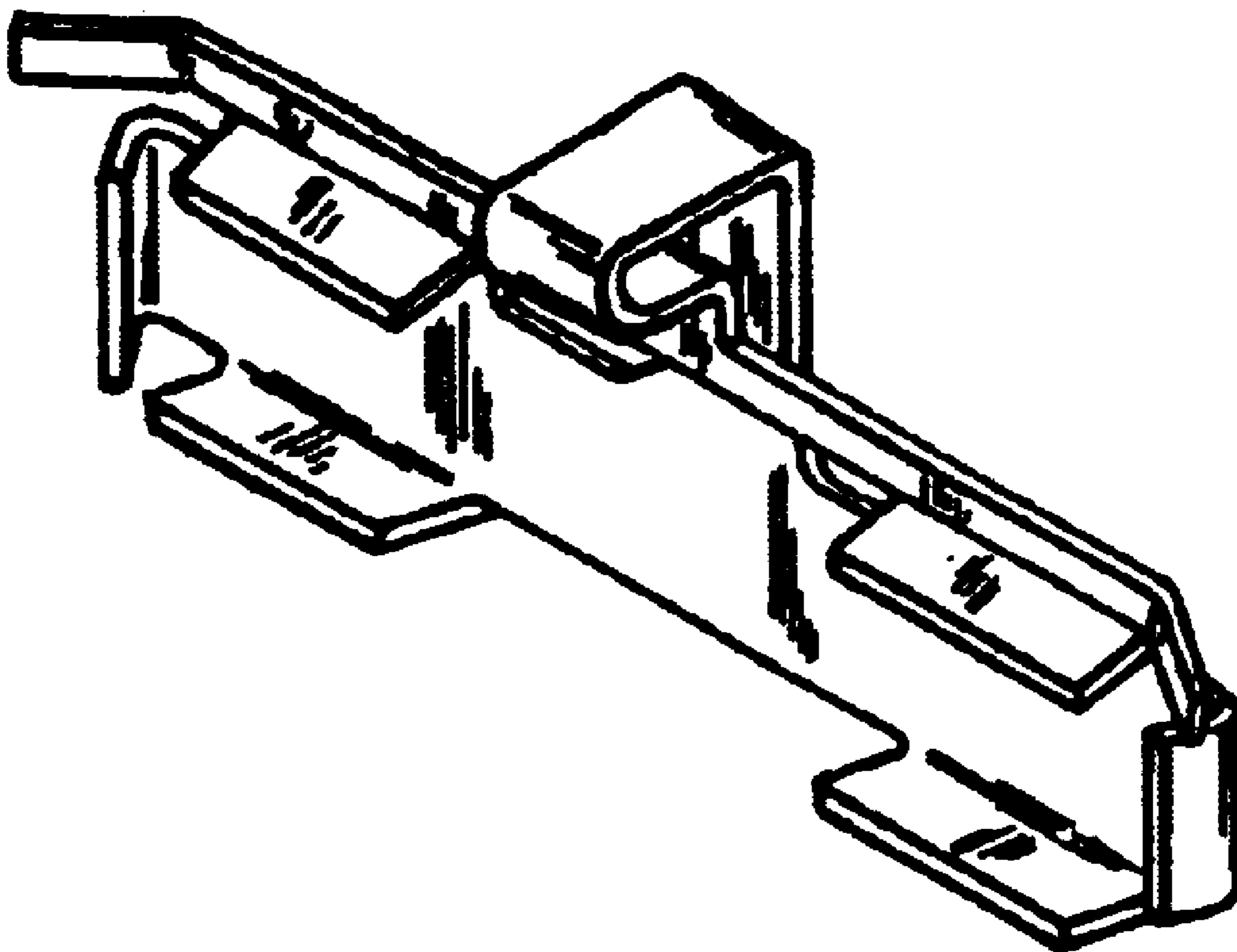
(57) **CLAIM**

The ornamental design for a spring clip for a disc brake, as shown and described.

DESCRIPTION

FIG. 1 is a perspective view of a spring clip for a disc brake showing my new design;
FIG. 2 is a top view thereof;
FIG. 3 is a rear elevation view thereof;
FIG. 4 is a side elevation view thereof;
FIG. 5 is a bottom view thereof; and,
FIG. 6 is a front elevation view thereof.

1 Claim, 1 Drawing Sheet



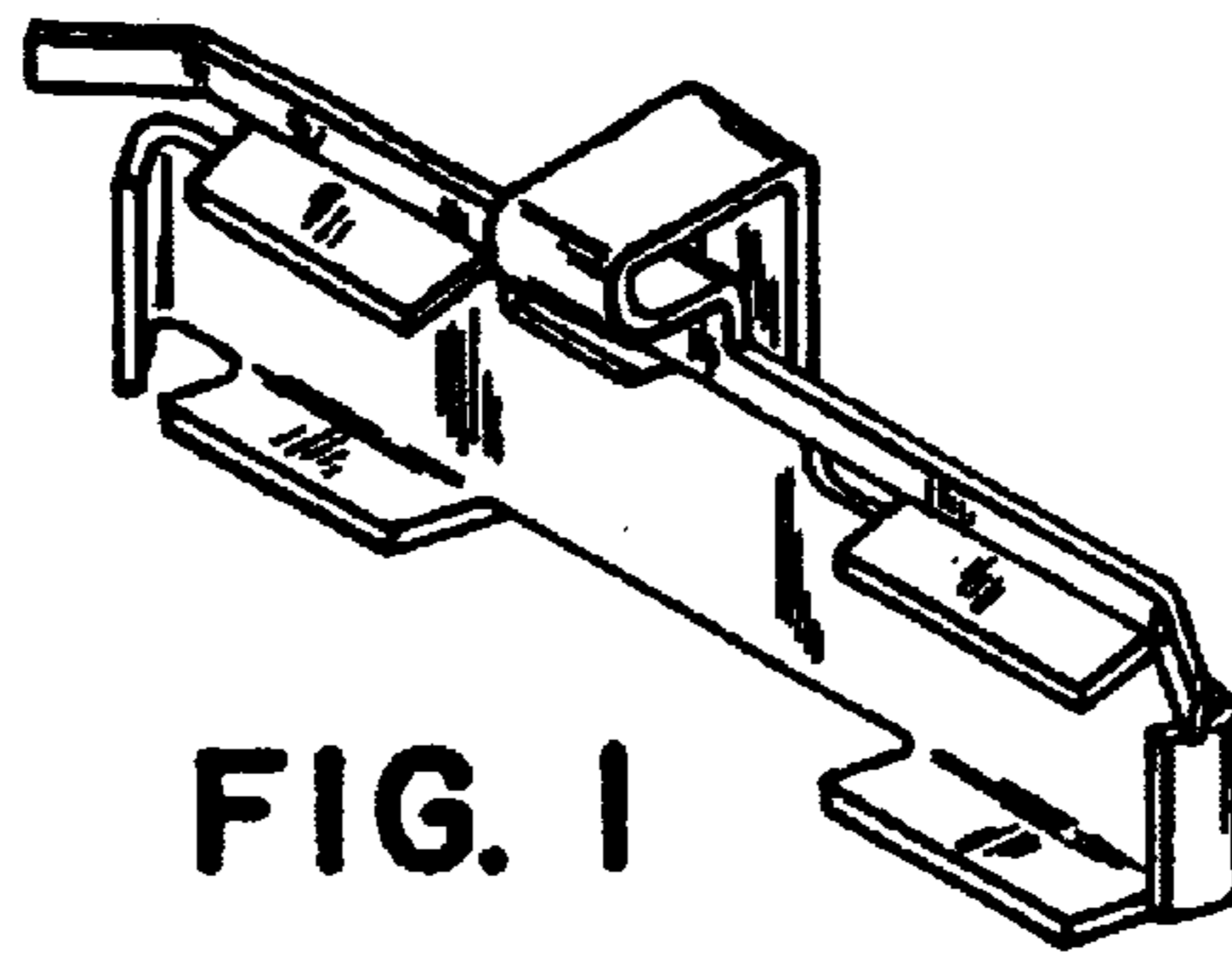


FIG. 1



FIG. 2

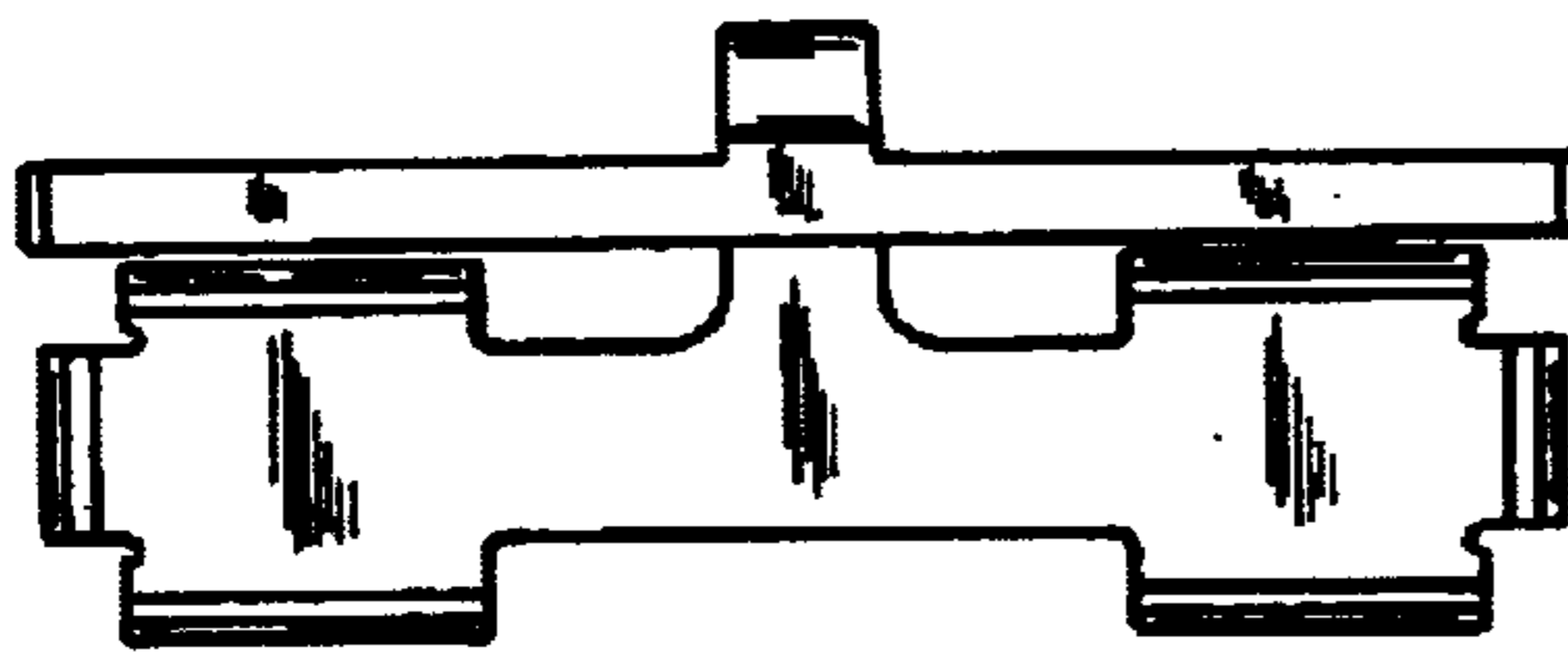


FIG. 3



FIG. 4



FIG. 5

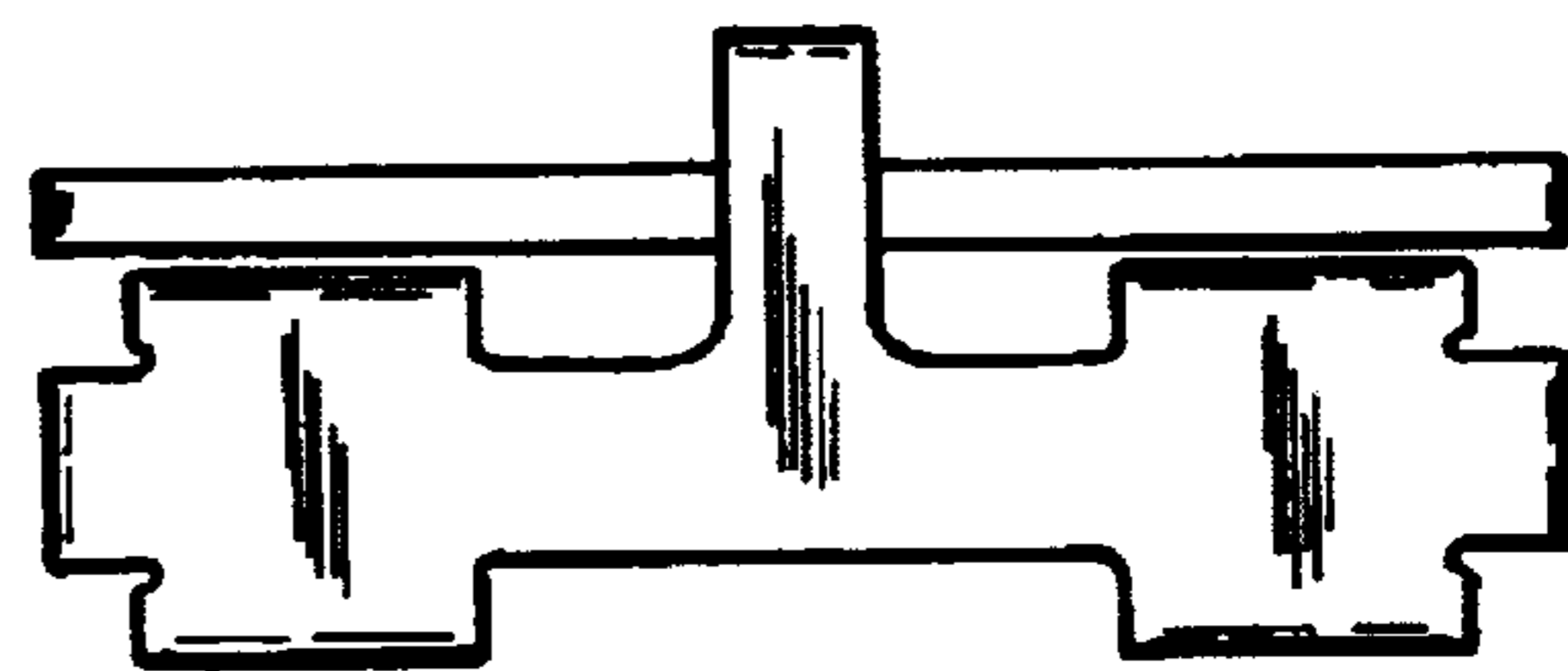


FIG. 6