



US00D481645S

(12) **United States Design Patent**
Rosenwasser et al.

(10) **Patent No.:** **US D481,645 S**

(45) **Date of Patent:** **** Nov. 4, 2003**

(54) **JEWELRY CHAIN**

(75) Inventors: **David Rosenwasser**, Norwood, NJ
(US); **Avraham Moshe Rosenwasser**,
100 Rio Vista Dr., Norwood, NJ (US)
07648

(73) Assignee: **Avraham Moshe Rosenwasser**,
Norwood, NJ (US)

(**) Term: **14 Years**

(21) Appl. No.: **29/173,463**

(22) Filed: **Dec. 30, 2002**

(51) **LOC (7) Cl.** **11-01**

(52) **U.S. Cl.** **D11/13; D11/93**

(58) **Field of Search** **D11/1-18, 93,**
D11/94; 59/78, 80-83; 63/1-4; D10/32

(56) **References Cited**

U.S. PATENT DOCUMENTS

D20,052 S	*	7/1890	Meyer	D11/15
D321,148 S	*	10/1991	Chiaramonti et al.	D11/12
D340,422 S		10/1993	Grando		
D343,806 S		2/1994	Bedoyan		
D346,131 S	*	4/1994	Chiaramonti et al.	D11/13
D359,010 S	*	6/1995	Rozenwasser	D11/13
D362,203 S		9/1995	Grando		
6,370,860 B1	*	4/2002	Adrian	59/80
D462,287 S		9/2002	Rosenwasser et al.		
6,460,323 B1	*	10/2002	Rosenwasser et al.	59/80

* cited by examiner

Primary Examiner—Ralf Seifert

(74) *Attorney, Agent, or Firm*—Katten Muchin Zavis
Rosenman

(57) **CLAIM**

The ornamental design for a jewelry chain, as shown and described.

DESCRIPTION

FIG. 1 is a perspective view of a first embodiment of a jewelry chain showing our new design, such first embodiment formed from solid chain links having round cross sections as shown in FIG. 5;

FIG. 2 is a cross section taken through a link of the jewelry chain along line 2—2 of FIG. 1;

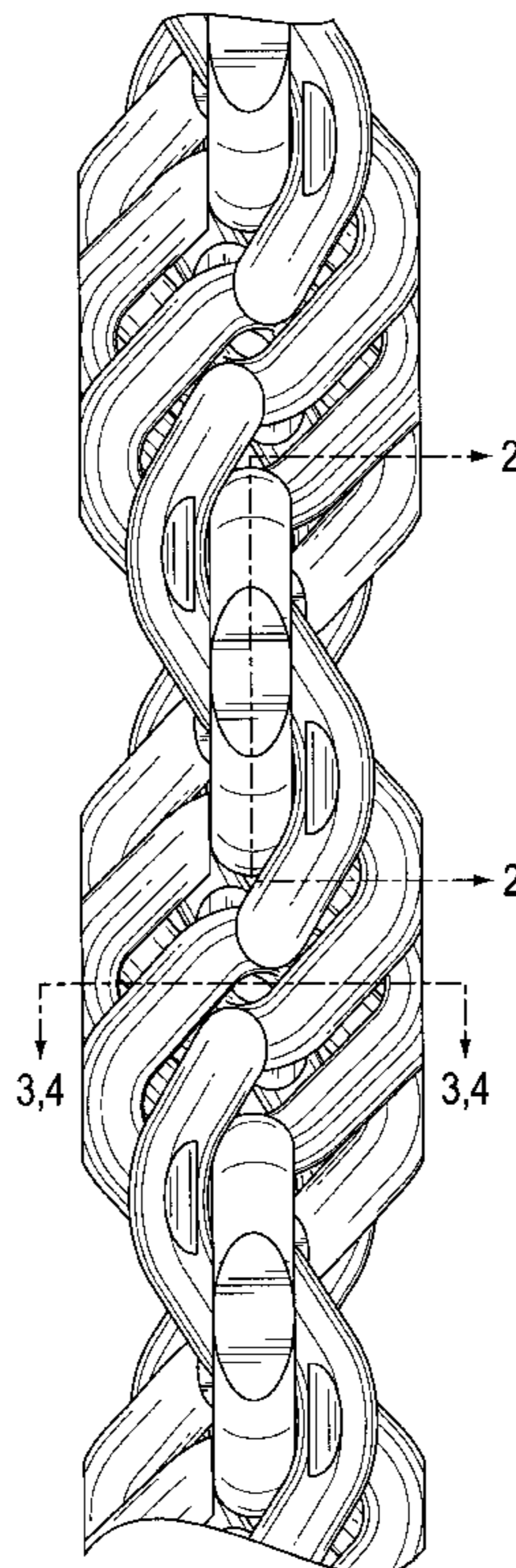
FIG. 3 is a cross section thereof taken through line 3—3 of FIG. 1;

FIG. 4 is a cross section taken through line 4—4 of FIG. 1 representing a second embodiment of a jewelry chain showing our new design, such second embodiment formed from hollow chain links having round cross sections as shown in FIG. 6, with the chain view and cross section of a link view of such second embodiment being identical in appearance to the chain and cross sectional views of FIGS. 1 and 2 from the first embodiment;

FIG. 5 is a cross section taken through line 5—5 of the link of FIG. 2 of the first embodiment of the jewelry chain of our design; and,

FIG. 6 is a cross section taken through line 6—6 of the link of FIG. 2 of the second embodiment of the jewelry chain of our design.

1 Claim, 2 Drawing Sheets



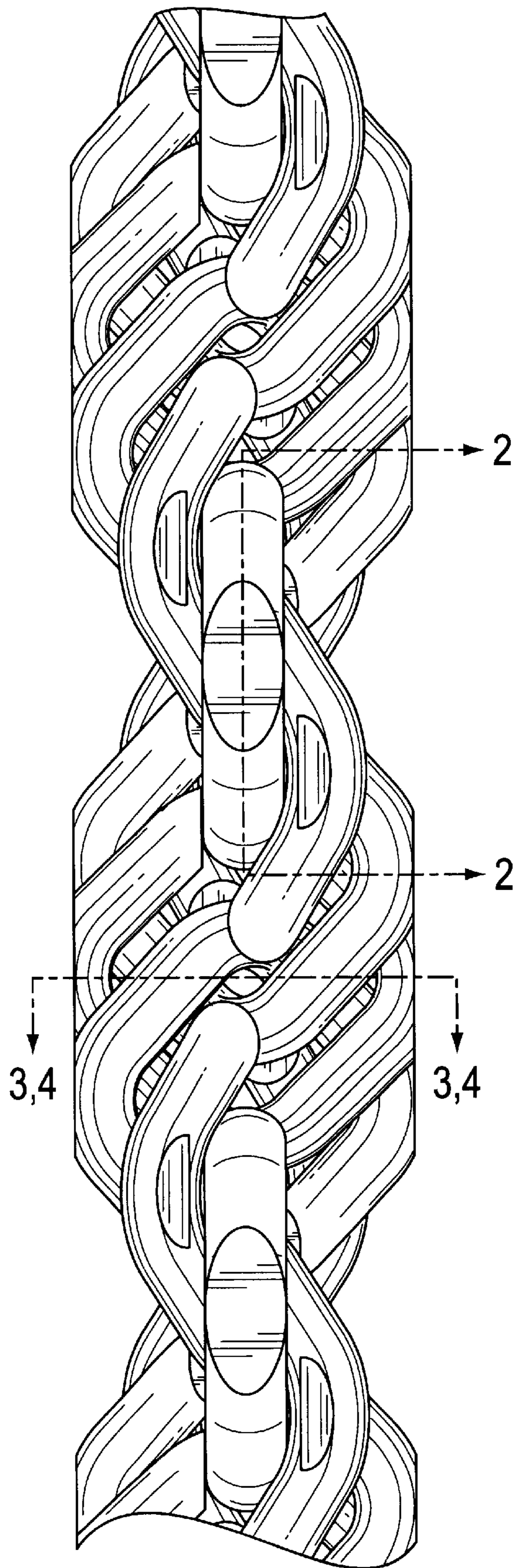


FIG. 1

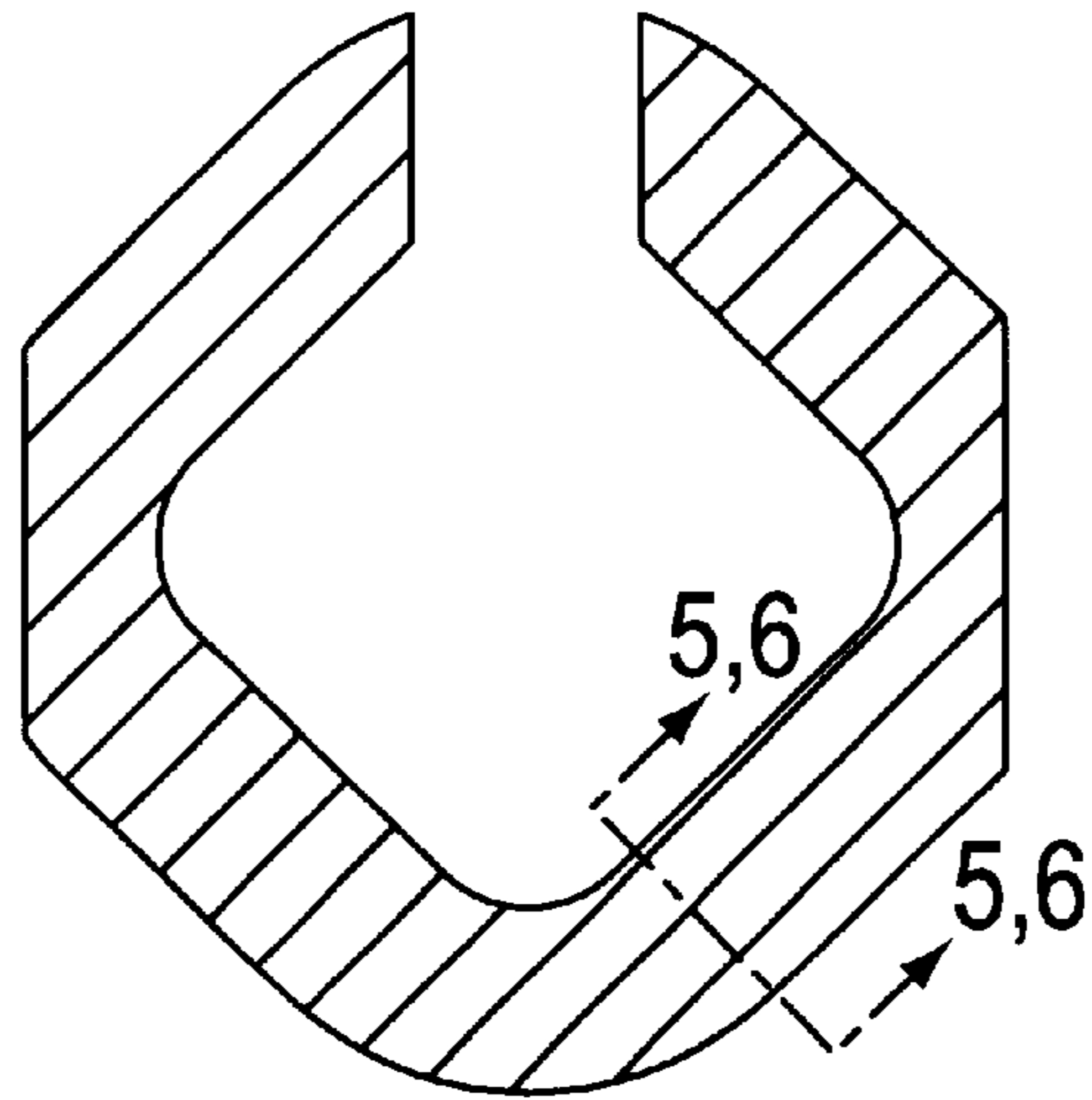


FIG. 2

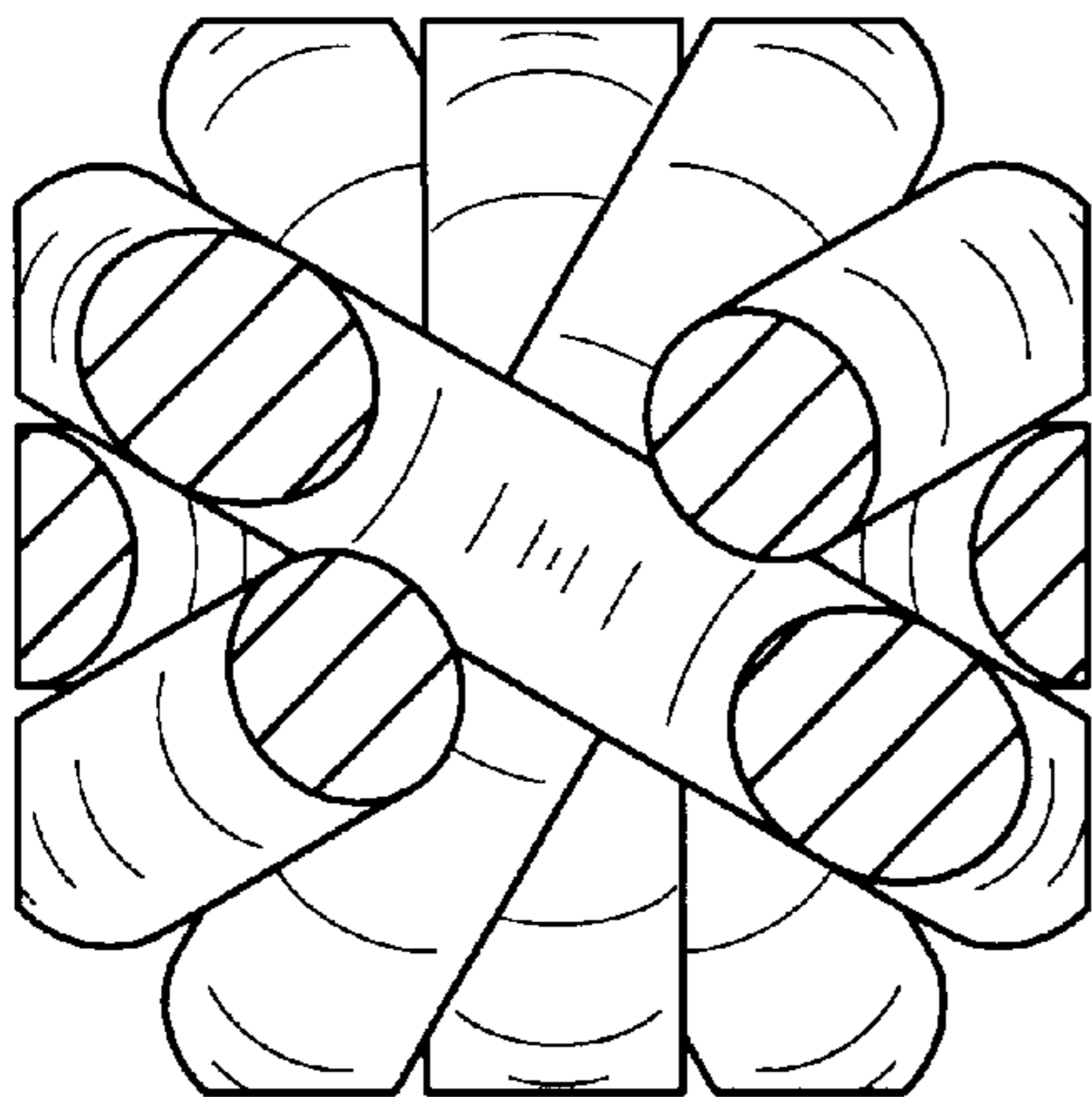


FIG. 3

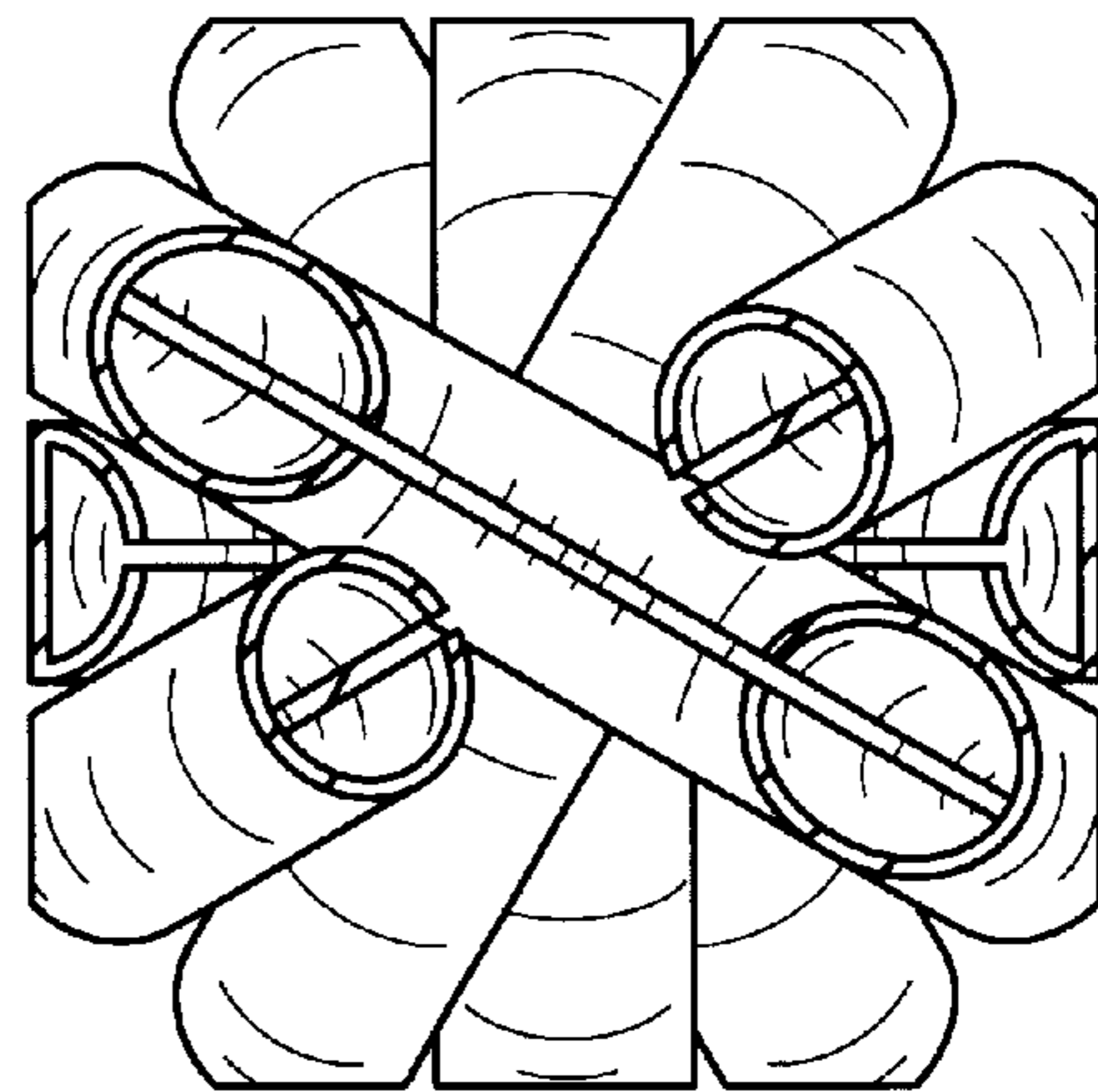


FIG. 4

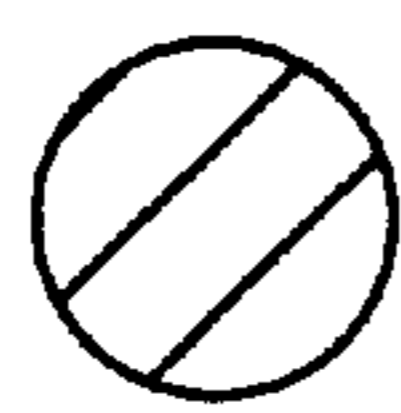


FIG. 5

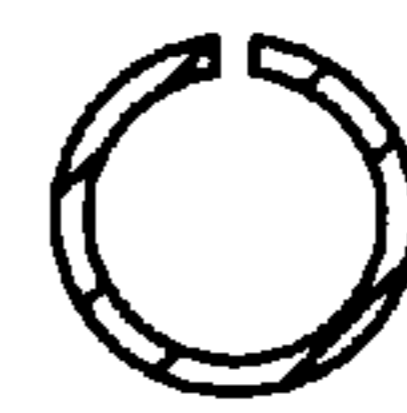


FIG. 6