



US00D481644S

(12) **United States Design Patent**  
**Filiberti**

(10) **Patent No.:** **US D481,644 S**

(45) **Date of Patent:** **\*\* Nov. 4, 2003**

(54) **OSCILLATING WEIGHT FOR A WATCH**

(75) Inventor: **Janik Filiberti**, La Chaux-de-Fonds  
(CH)

(73) Assignee: **Zenith International SA**, Le Locle  
(CH)

(\*\*) Term: **14 Years**

(21) Appl. No.: **29/167,760**

(22) Filed: **Sep. 19, 2002**

(51) **LOC (7) Cl.** ..... **10-07**

(52) **U.S. Cl.** ..... **D10/128**

(58) **Field of Search** ..... D10/122-132;  
368/76, 127, 150, 157, 160-161, 169, 297-300,  
318, 322-325

(56) **References Cited**

**U.S. PATENT DOCUMENTS**

D22,054 S	*	12/1892	Billings	.....	D10/123
D25,694 S	*	6/1896	Ball	.....	D10/129
D25,695 S	*	6/1896	Ball	.....	D10/129
3,603,076 A	*	9/1971	Theurillat	.....	368/127
3,670,492 A	*	6/1972	Takamune et al.	.....	368/169
3,813,872 A	*	6/1974	Nakagawa et al.	.....	368/169
4,910,720 A	*	3/1990	Ray et al.	.....	368/148
6,339,306 B1	*	1/2002	Hara	.....	318/696
6,409,379 B1	*	6/2002	Gabathuler et al.	.....	368/150
6,541,882 B2	*	4/2003	Matsuzawa	.....	310/49 R

**FOREIGN PATENT DOCUMENTS**

WO /047774 \* 4/1999

\* cited by examiner

*Primary Examiner*—Nelson C. Holtje

(74) *Attorney, Agent, or Firm*—Stroock & Stroock & Lavan  
LLP

(57) **CLAIM**

The ornamental design for an oscillating weight for a watch,  
as shown and described.

**DESCRIPTION**

FIG. 1 is a perspective view of an oscillating weight for a watch in accordance with the invention, in which the surfaces(s) or portion(s) of the article not shown in the drawings or described in the specification form(s) no part of the claimed design;

FIG. 2 is a front elevational view of an oscillating weight for a watch depicted in FIG. 1;

FIG. 3 is a rear elevational view of the oscillating weight for a watch as depicted in FIG. 1;

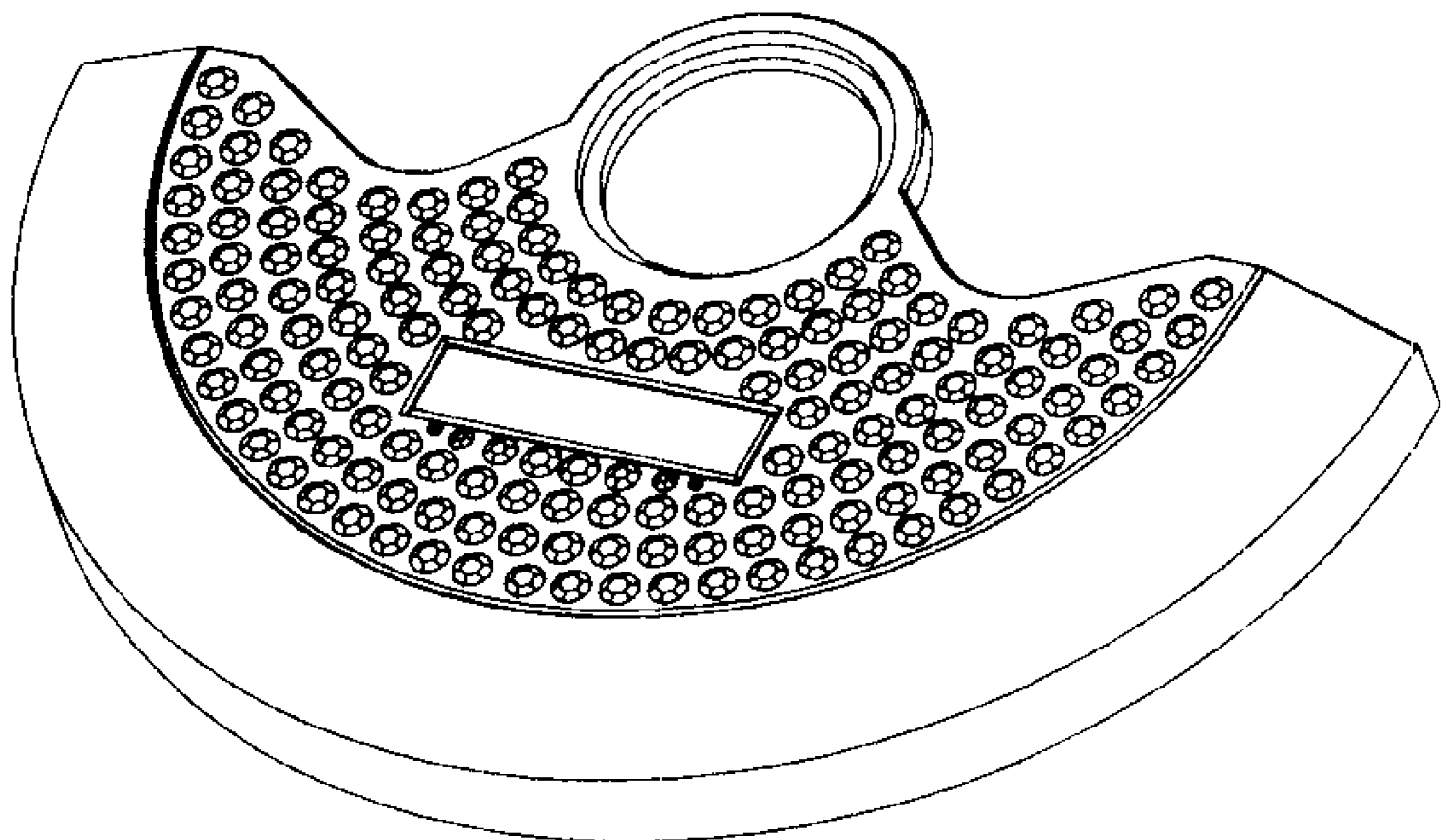
FIG. 4 is a right side elevational view of the oscillating weight for a watch as depicted in FIG. 1;

FIG. 5 is a left side elevational view of the oscillating weight for a watch as depicted in FIG. 1;

FIG. 6 is a bottom plan view of the oscillating weight for a watch as depicted in FIG. 1; and,

FIG. 7 is a top plan view of the oscillating weight for a watch as depicted in FIG. 1.

**1 Claim, 7 Drawing Sheets**



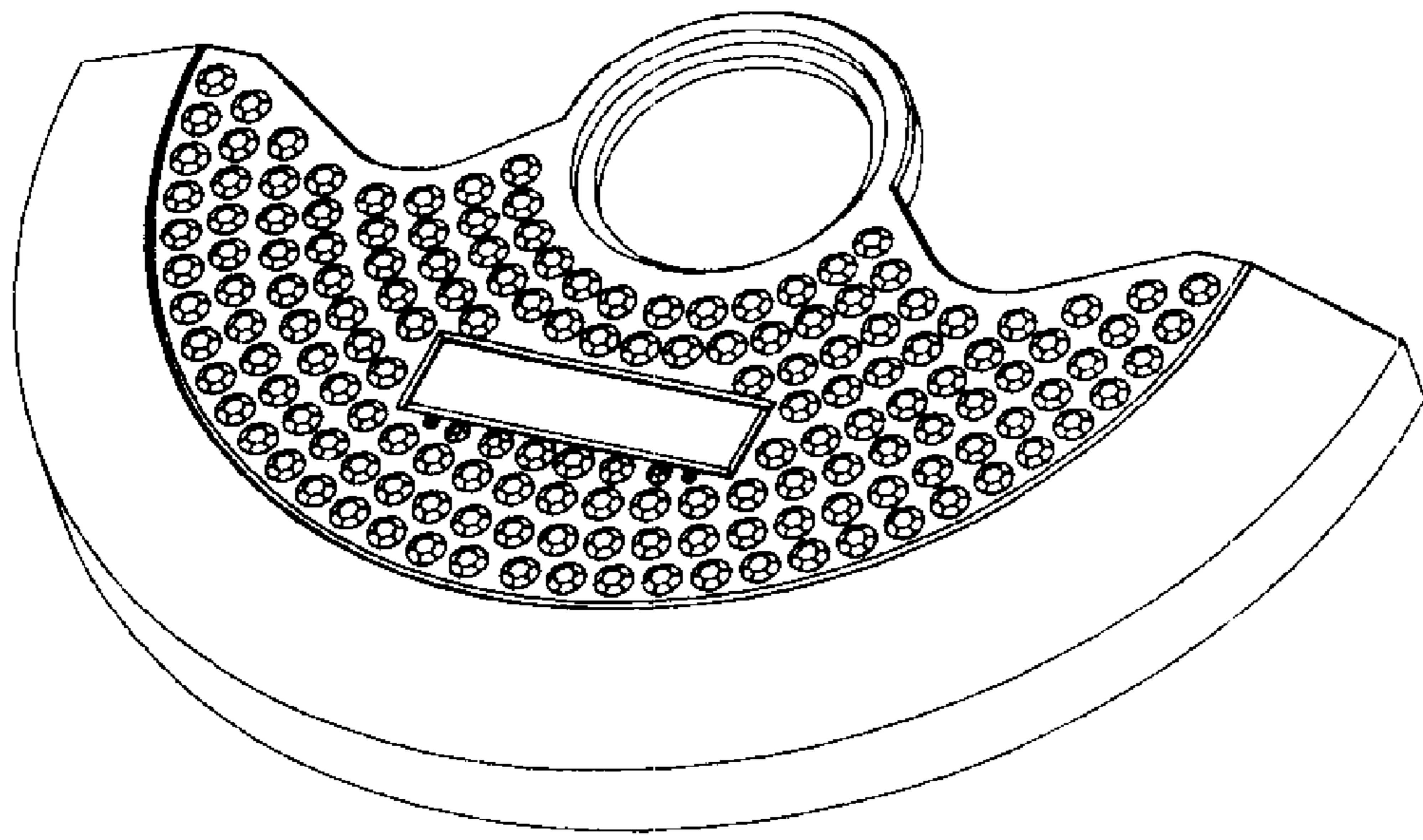


FIG. 1

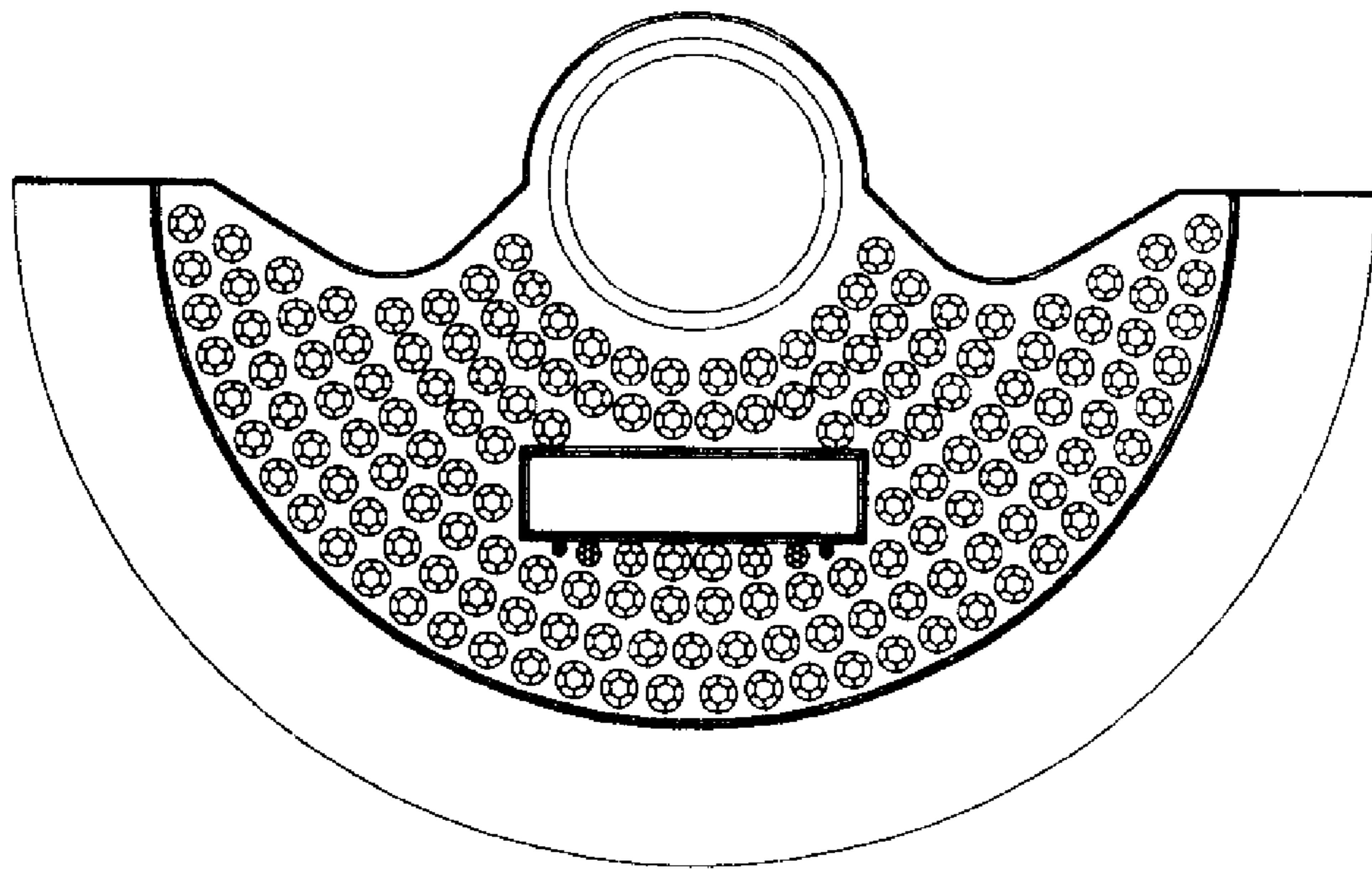


FIG. 2

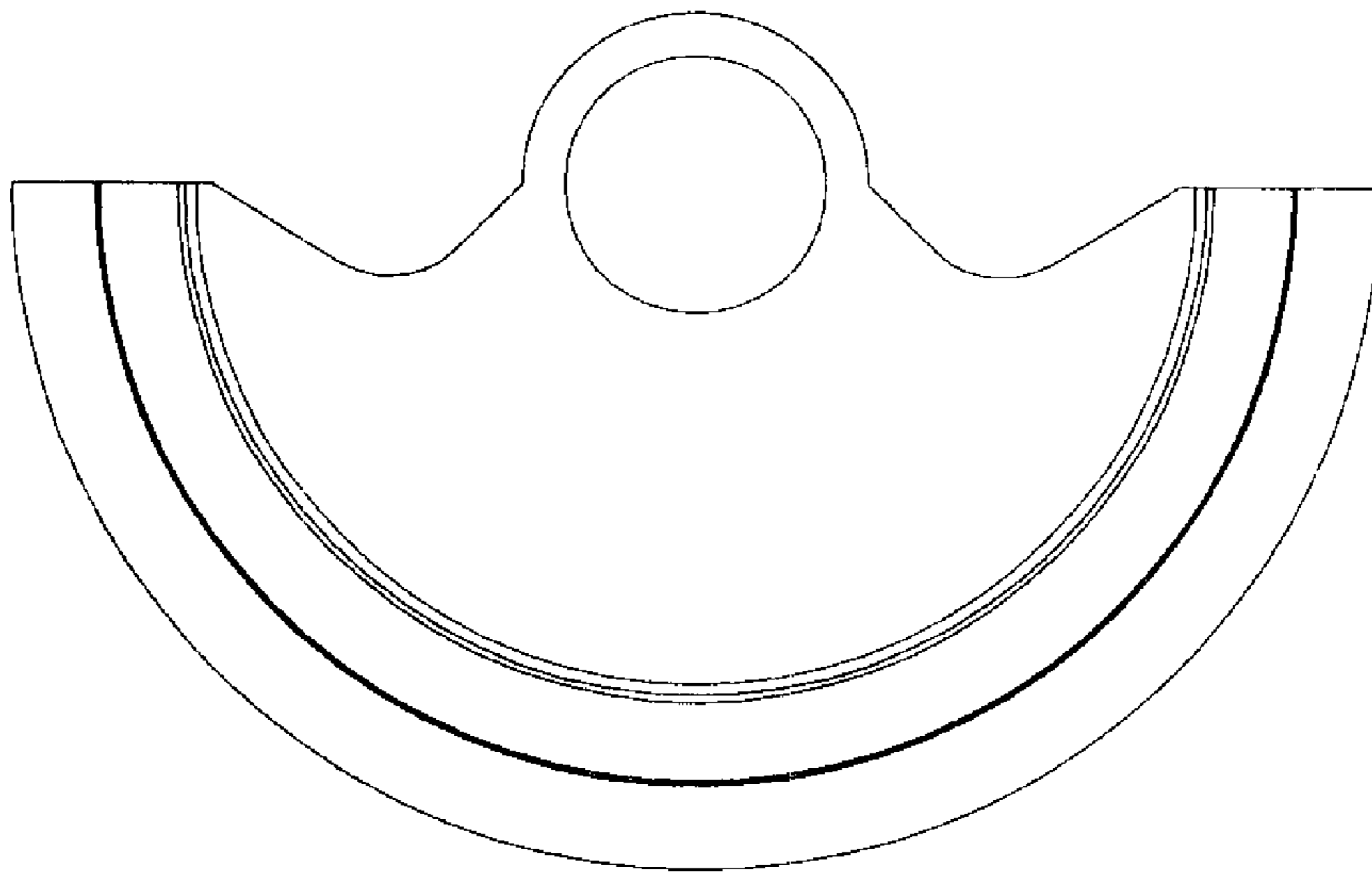


FIG. 3



FIG. 4



FIG. 5

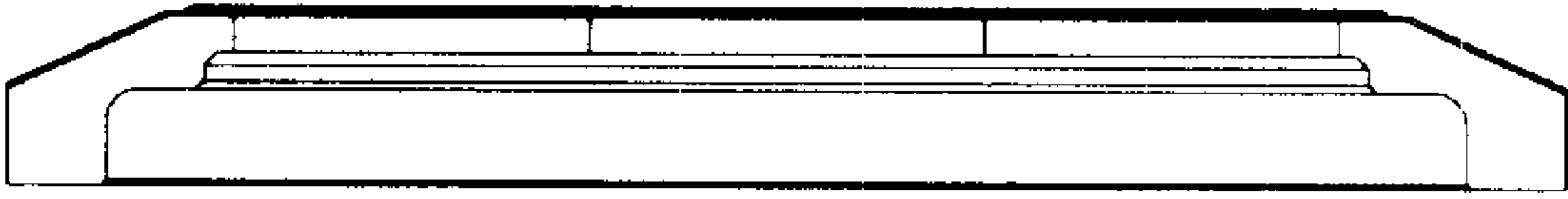


FIG. 6

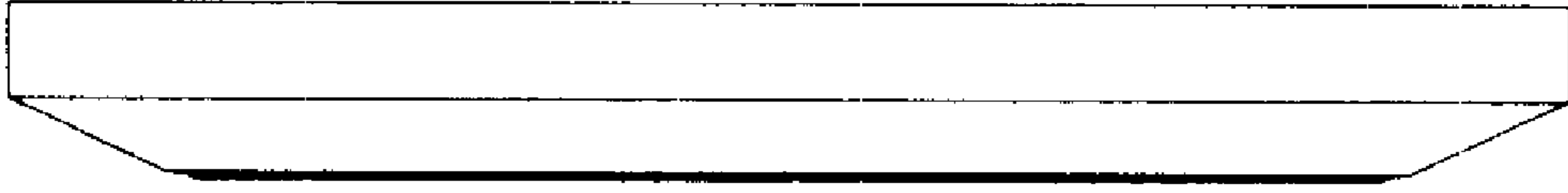


FIG. 7